



US00D358825S

# United States Patent [19]

[11] Patent Number: **Des. 358,825**

**Kuhns**

[45] Date of Patent: **\*\* May 30, 1995**

[54] LAMINATOR

*Attorney, Agent, or Firm*—Iandiorio & Teska; Kirk Teska

[75] Inventor: **Roger J. Kuhns**, Lincoln, Mass.

### [57] CLAIM

[73] Assignee: **Avant, Inc.**, Concord, Mass.

The ornamental design for a laminator, as shown and described.

[\*\*] Term: **14 Years**

### DESCRIPTION

[21] Appl. No.: **20,853**

FIG. 1 is a perspective view of the laminator of my invention;

[22] Filed: **Apr. 4, 1994**

FIG. 2 is a top plan view of the laminator FIG. 1;

[52] U.S. Cl. .... **D5/146**

FIG. 3 is a front elevational view of the laminator of FIG. 1;

[58] Field of Search ..... D15/146; 100/93 P, 93 PP, 100/155 R, 265, 295; 156/359, 498, 499, 555, 556, 583, 583.1

FIG. 4 is a left side elevational view of the laminator of FIG. 1;

### [56] References Cited

#### U.S. PATENT DOCUMENTS

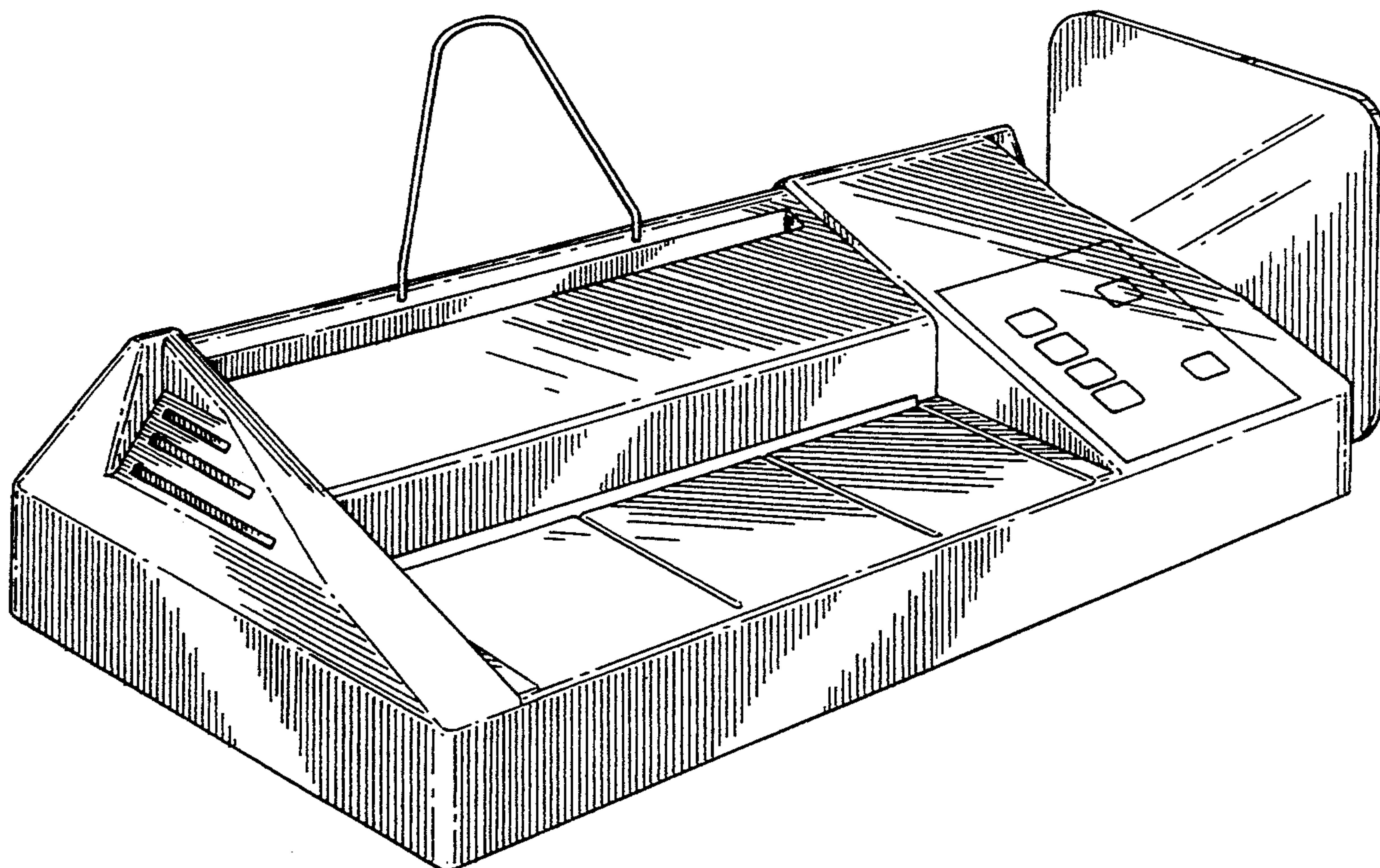
- D. 306,303 2/1990 Takeda ..... D15/146 X
- D. 345,986 4/1994 Lim ..... D15/146
- 5,232,538 8/1993 Liu ..... 156/555 X

FIG. 5 is a right side elevational view of the laminator of FIG. 1;

FIG. 6 is a rear back elevational view of the laminator of FIG. 1; and,

FIG. 7 is a bottom plan view of the laminator of FIG. 1. The broken line showing of an electrical cord is for illustrative purposes only and forms no part of the claimed design.

*Primary Examiner*—Antoine Duval Davis



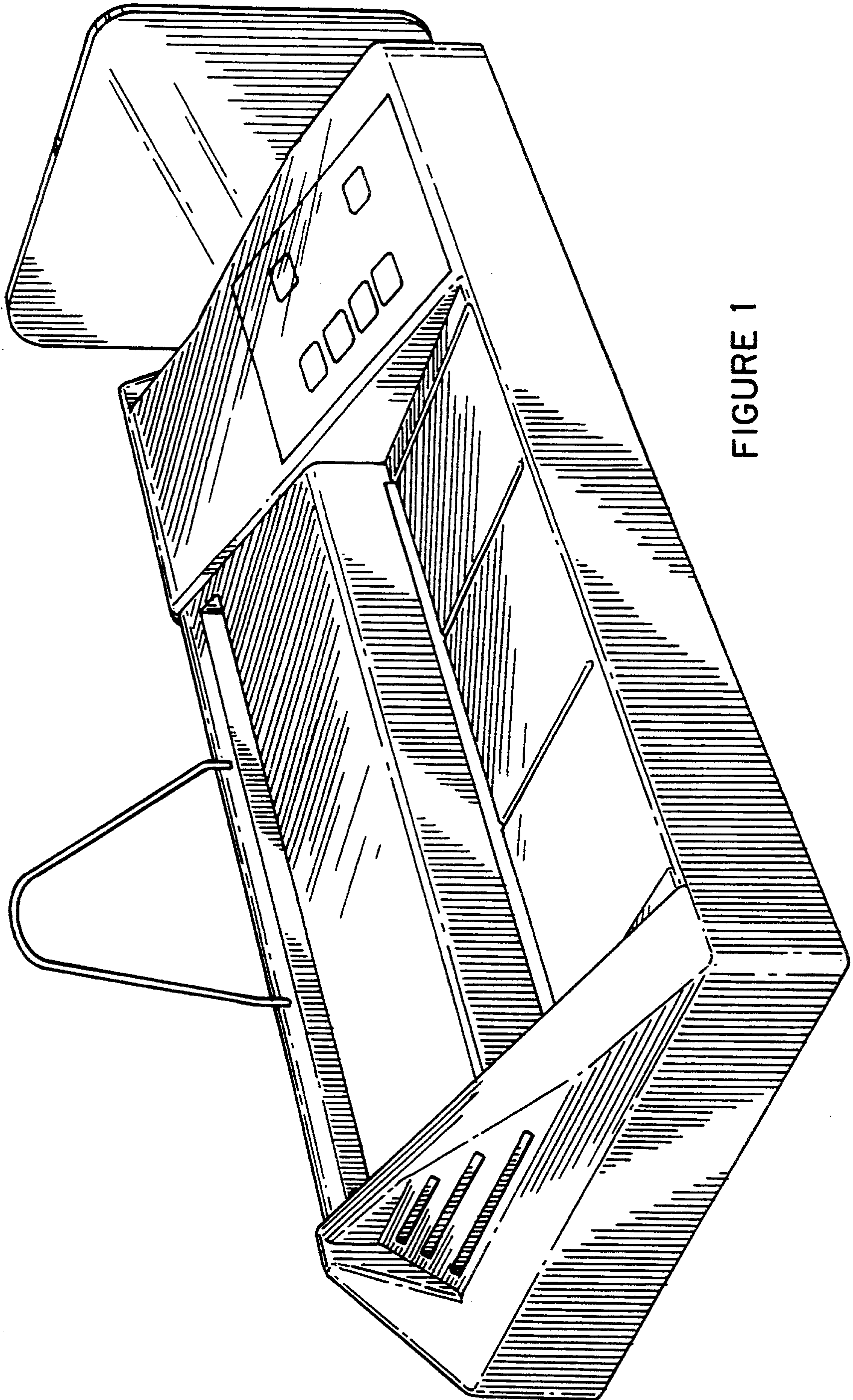


FIGURE 1



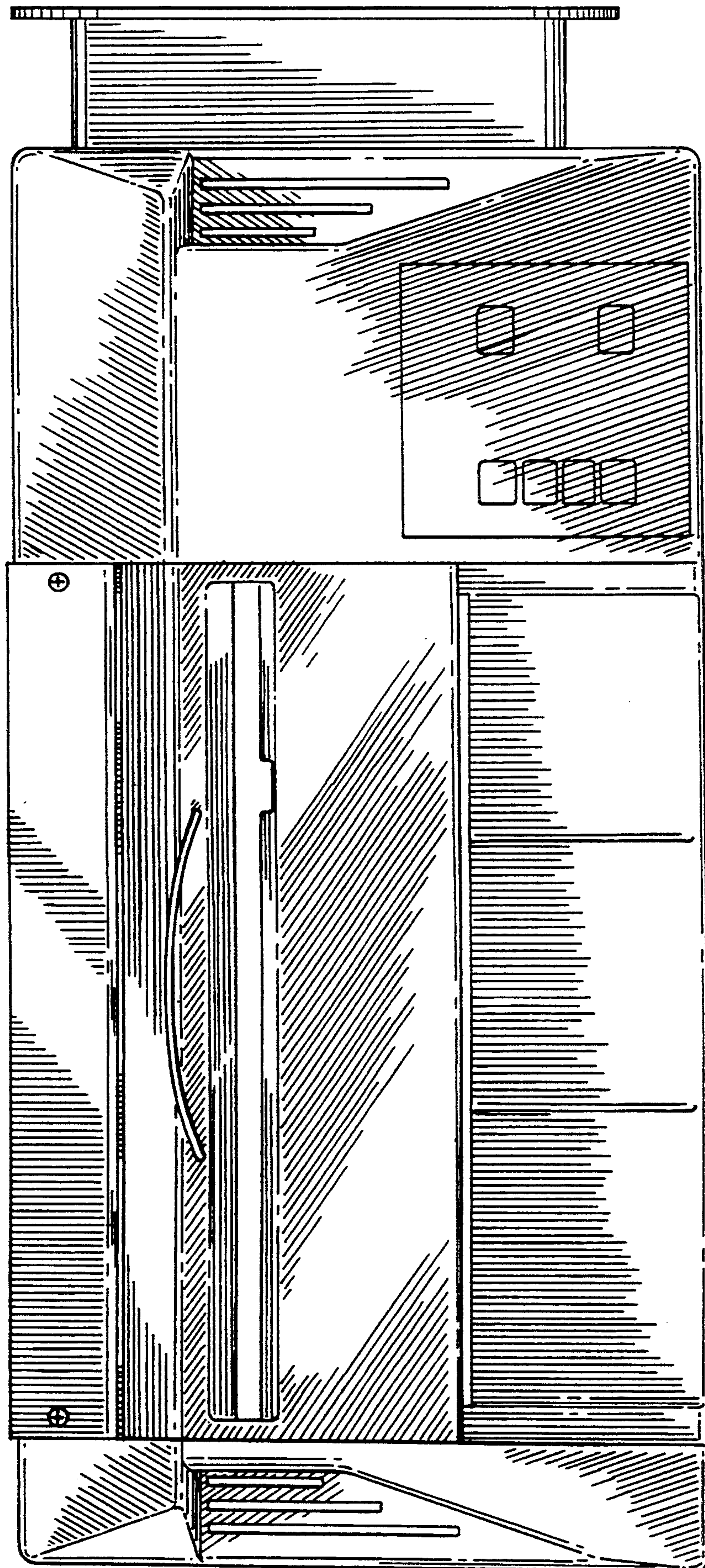


FIGURE 2

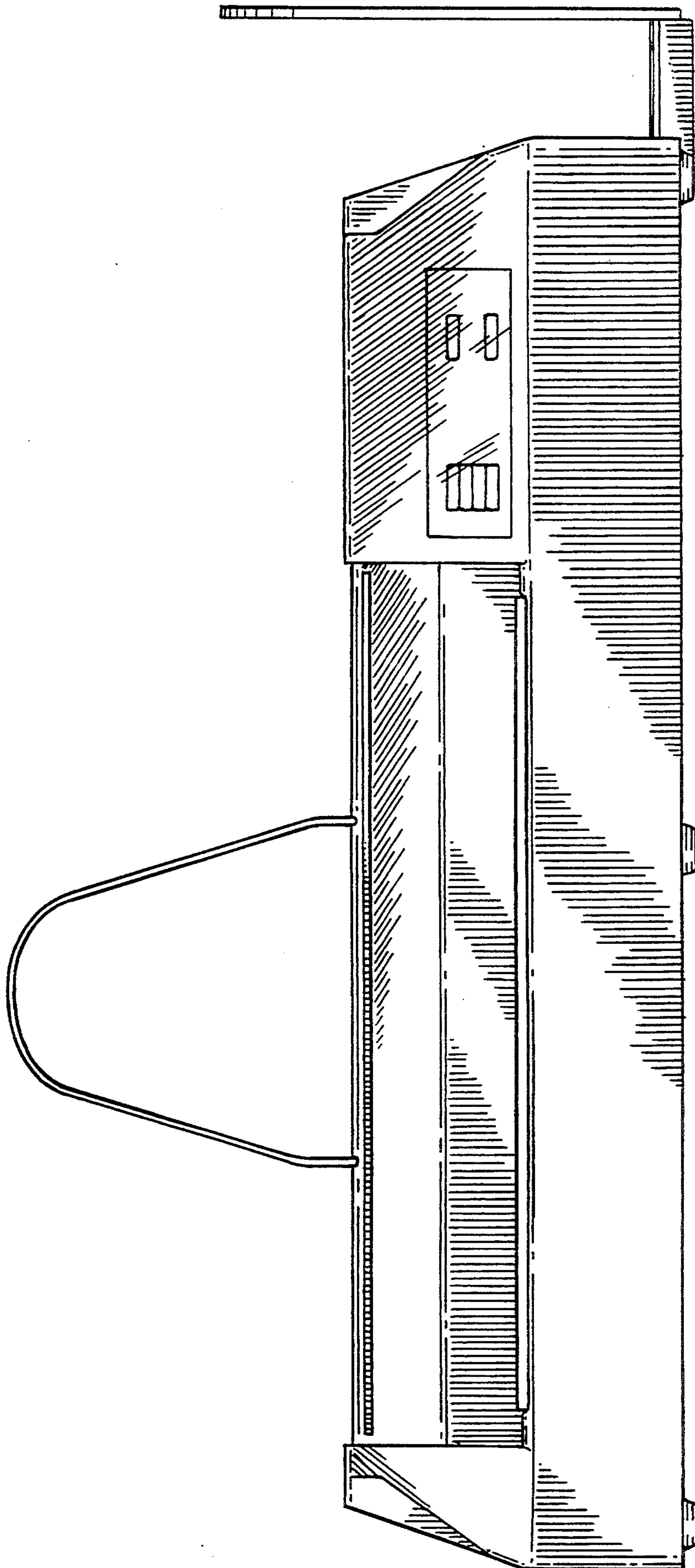


FIGURE 3

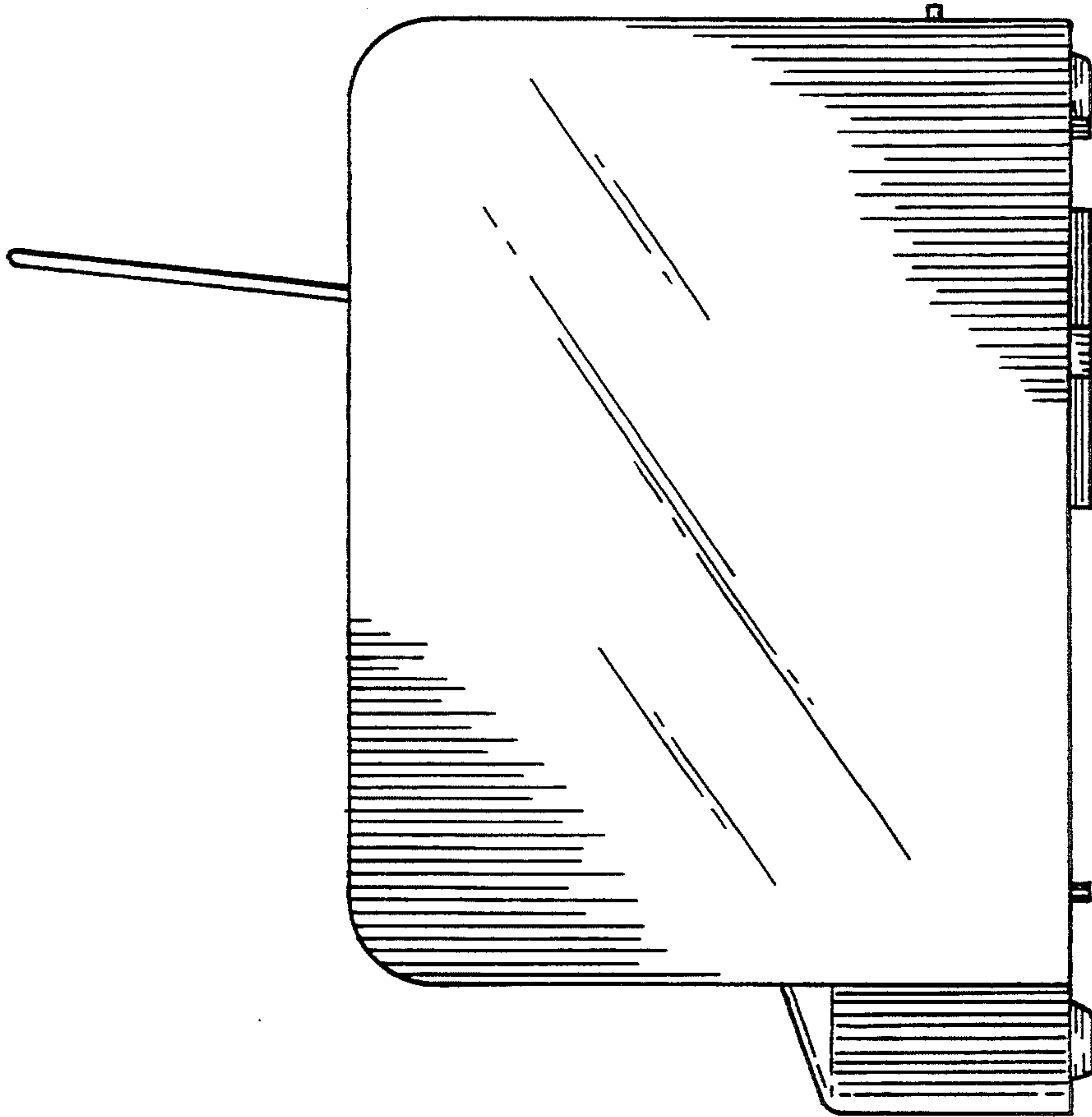


FIGURE 5

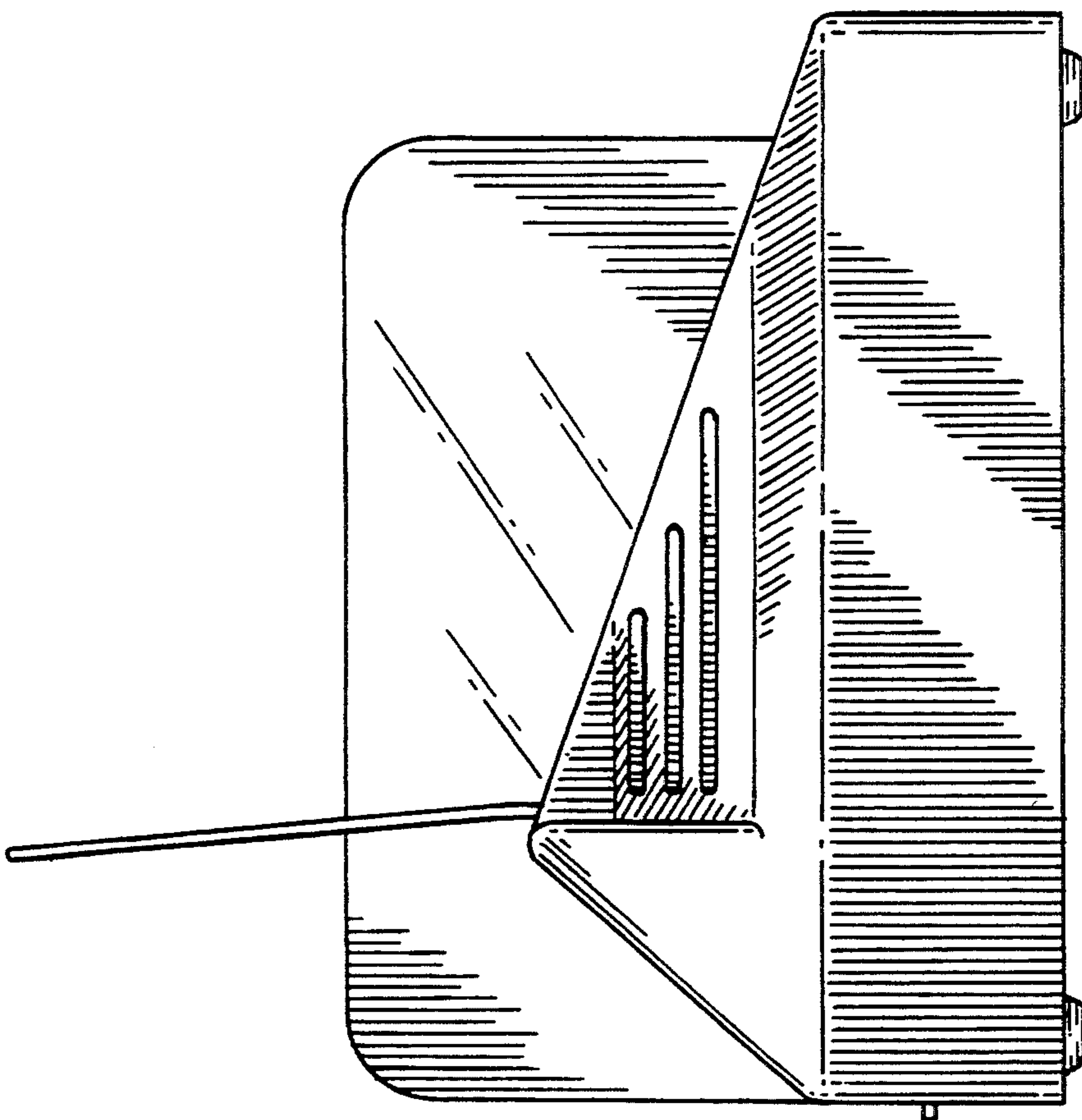


FIGURE 4



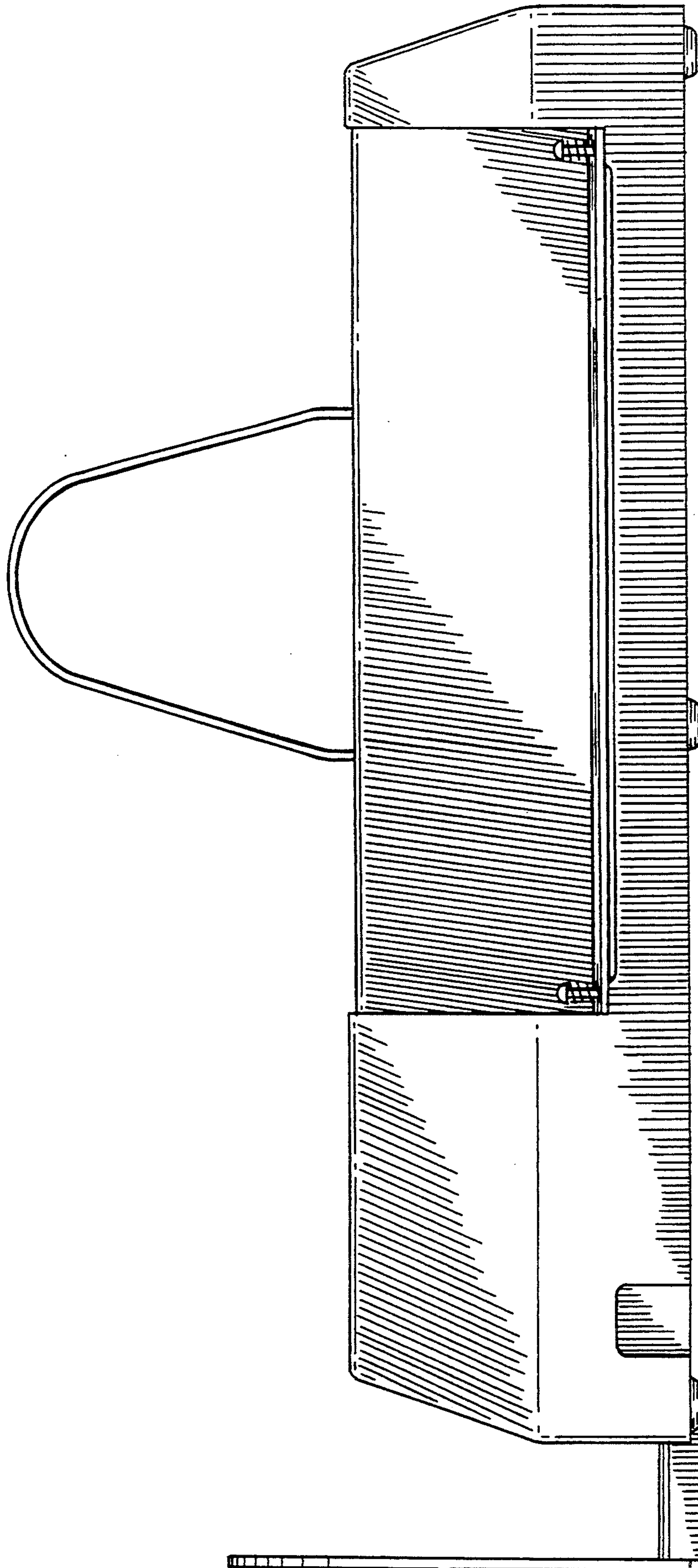


FIGURE 6

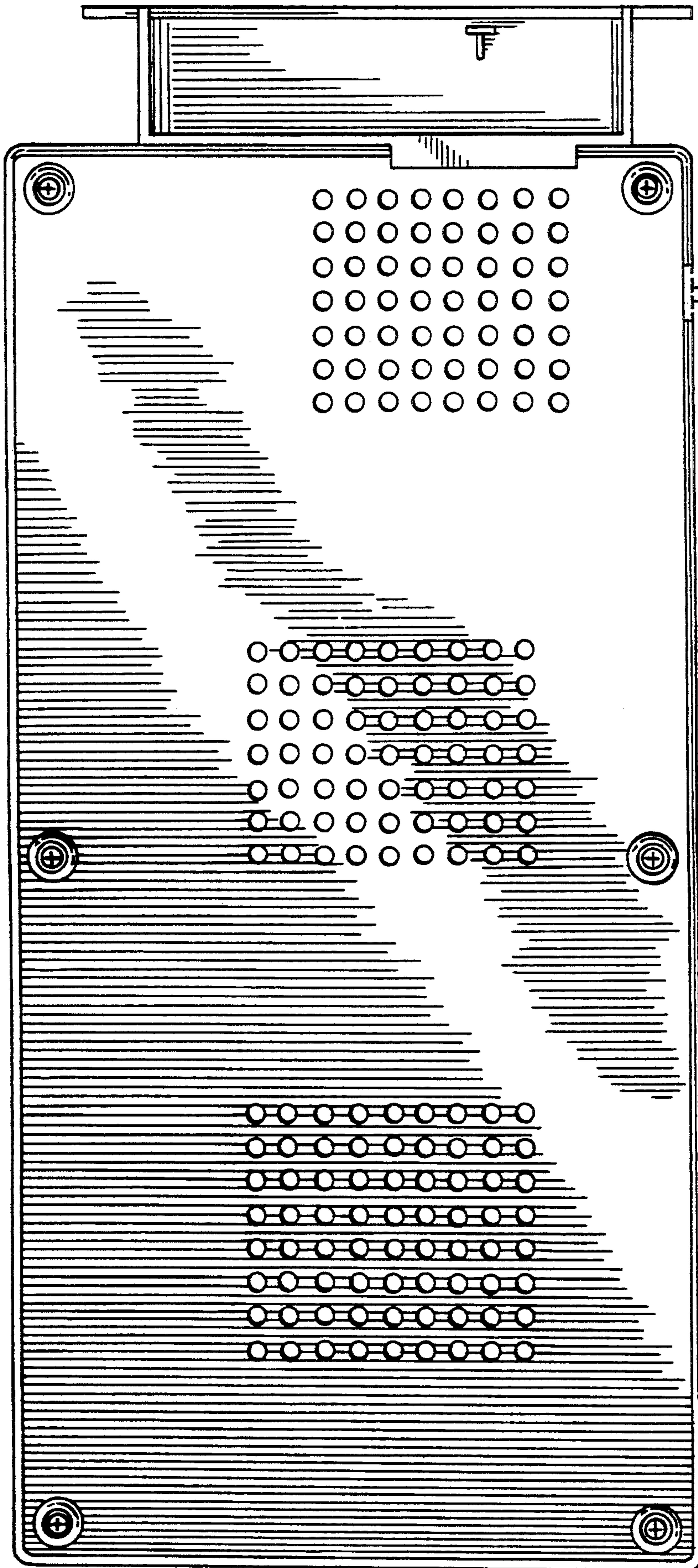


FIGURE 7