



US00D358821S

United States Patent [19]

[11] Patent Number: **Des. 358,821**

Hellier et al.

[45] Date of Patent: **** May 30, 1995**

- [54] **DESK STAND FOR A PORTABLE TELEPHONE**
- [75] Inventors: **Robert Hellier; Tomek Rudkiewicz,**
both of Turku, Finland
- [73] Assignee: **Nokia Mobile Phones Ltd., Salo,**
Finland
- [**] Term: **14 Years**
- [21] Appl. No.: **20,587**
- [22] Filed: **Mar. 29, 1994**
- [30] **Foreign Application Priority Data**
Sep. 30, 1993 [GB] United Kingdom 2034230
- [52] U.S. Cl. **D14/253; D13/108;**
D14/149
- [58] **Field of Search** D14/251, 253, 240, 140,
D14/142, 138, 114, 149-151; D13/107, 108;
379/58-61, 441, 440, 454, 455, 419, 420, 428,
446

- D. 315,330 3/1991 Soren et al. D13/107
- D. 316,416 4/1991 Cant et al. D14/252
- D. 319,052 8/1991 Major D14/138
- D. 319,061 8/1991 Powell et al. D14/240
- D. 321,885 11/1991 Sheldrake D14/253
- D. 341,133 11/1993 Miyake et al. D14/114
- D. 349,485 8/1994 Richards D13/107
- D. 350,540 9/1994 Hyvönen D14/253 X
- 5,052,943 10/1991 Davis D14/114 X
- 5,301,224 4/1994 Major 379/58

OTHER PUBLICATIONS

Skil Chargers, item at bottom page.

Primary Examiner—Jeffrey Asch

Attorney, Agent, or Firm—Perman & Green

[57] CLAIM

The ornamental design for a desk stand for a portable telephone, as shown and described.

DESCRIPTION

FIG. 1 is a front perspective view from above and one side of a desk stand for a portable telephone showing our new design;

FIG. 2 is an other side view;

FIG. 3 is a top plan view;

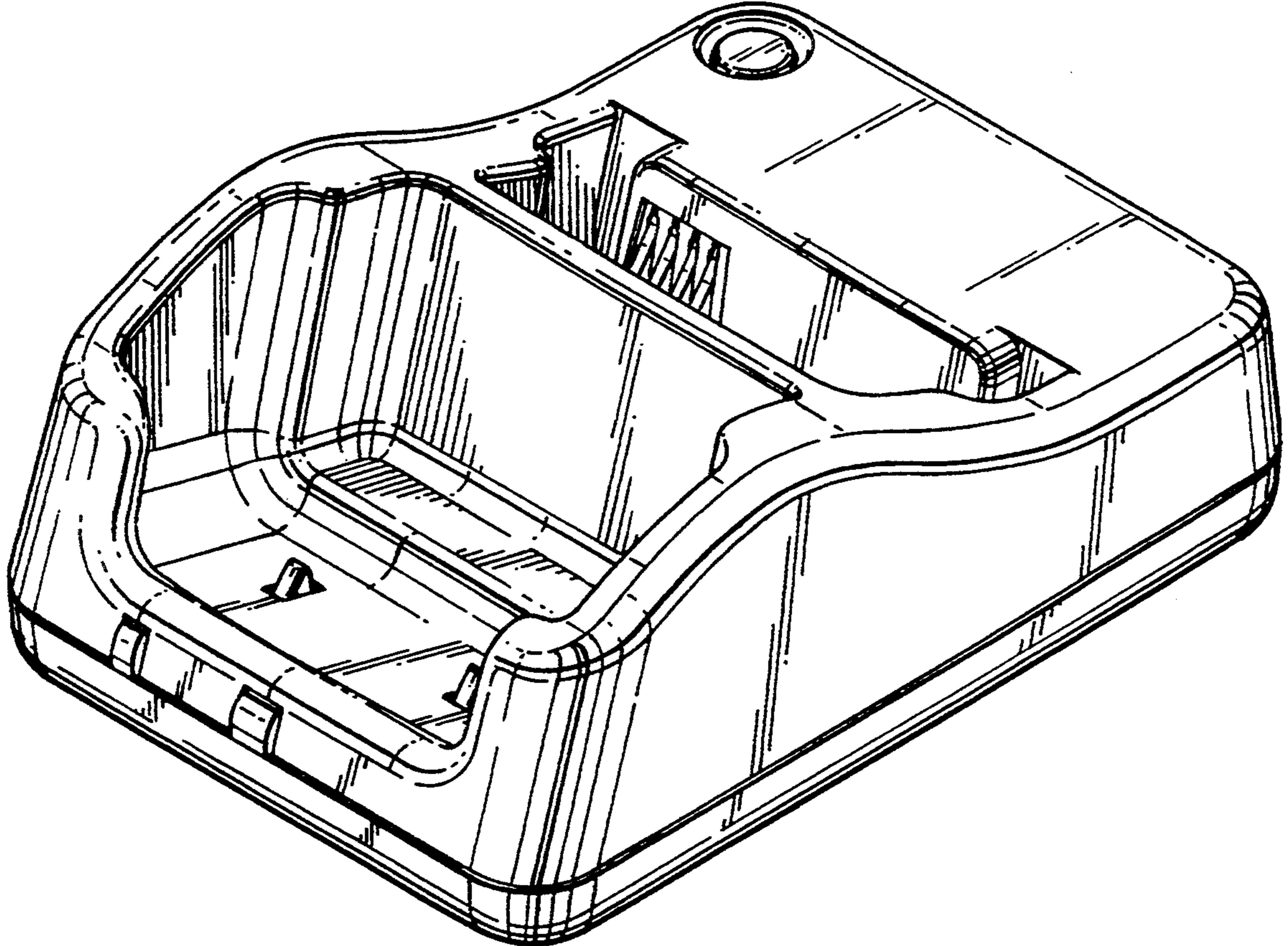
FIG. 4 is a front view;

FIG. 5 is a rear view; and,

FIG. 6 is a bottom plan view.

[56] References Cited U.S. PATENT DOCUMENTS

- D. 275,482 9/1984 Coons et al. D14/253
- D. 275,951 10/1984 Taylor D14/151
- D. 277,662 2/1985 Huntington et al. D13/107
- D. 297,827 9/1988 Lay D13/108
- D. 307,016 4/1990 Watanabe D14/240



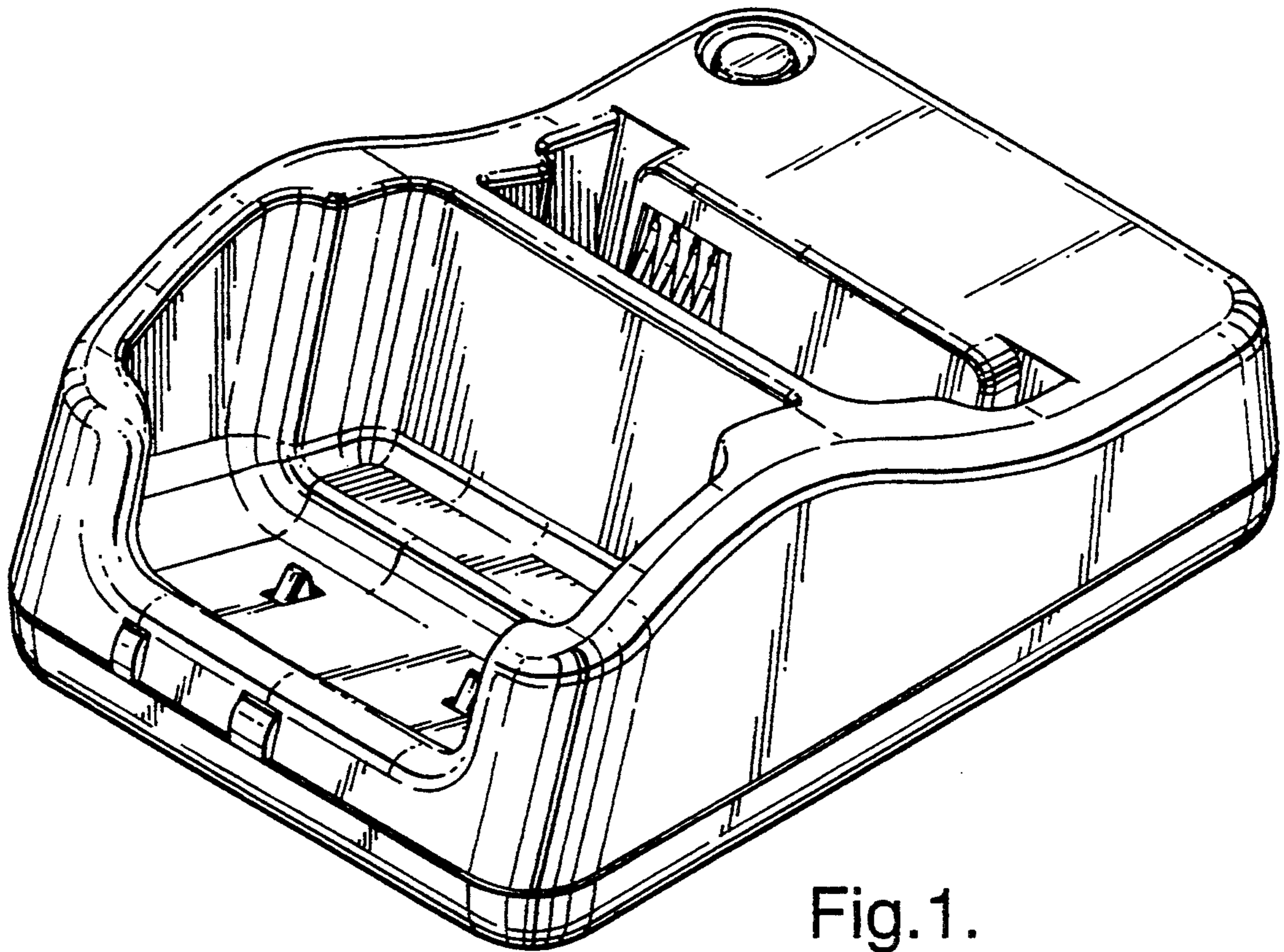


Fig. 1.

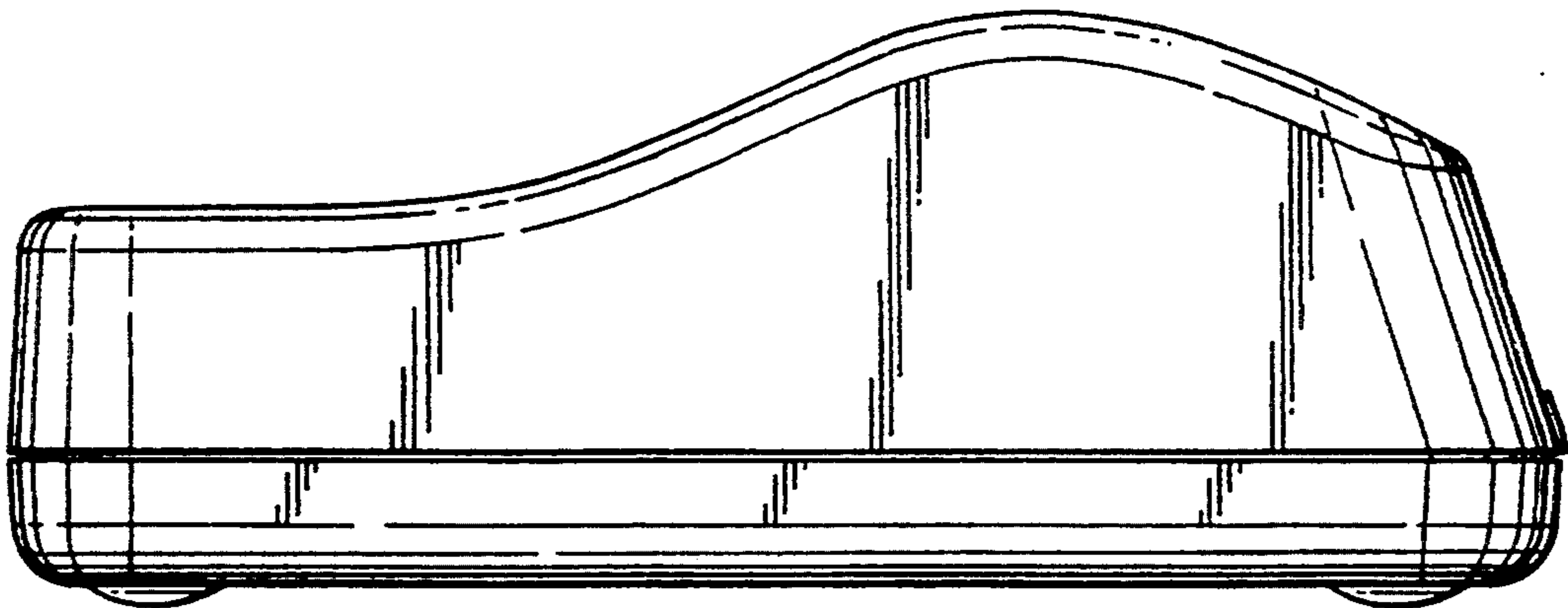


Fig. 2.

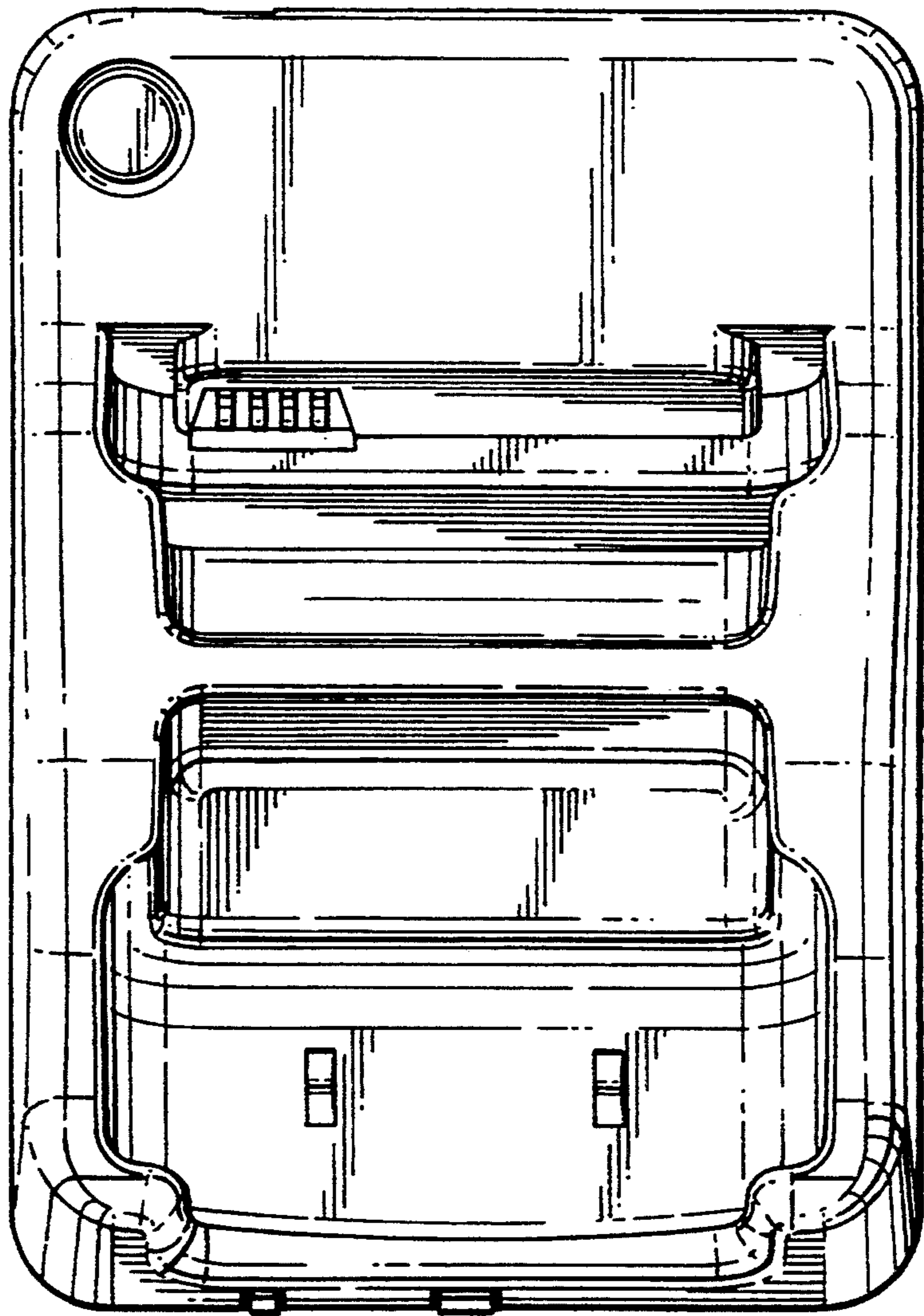


Fig.3.

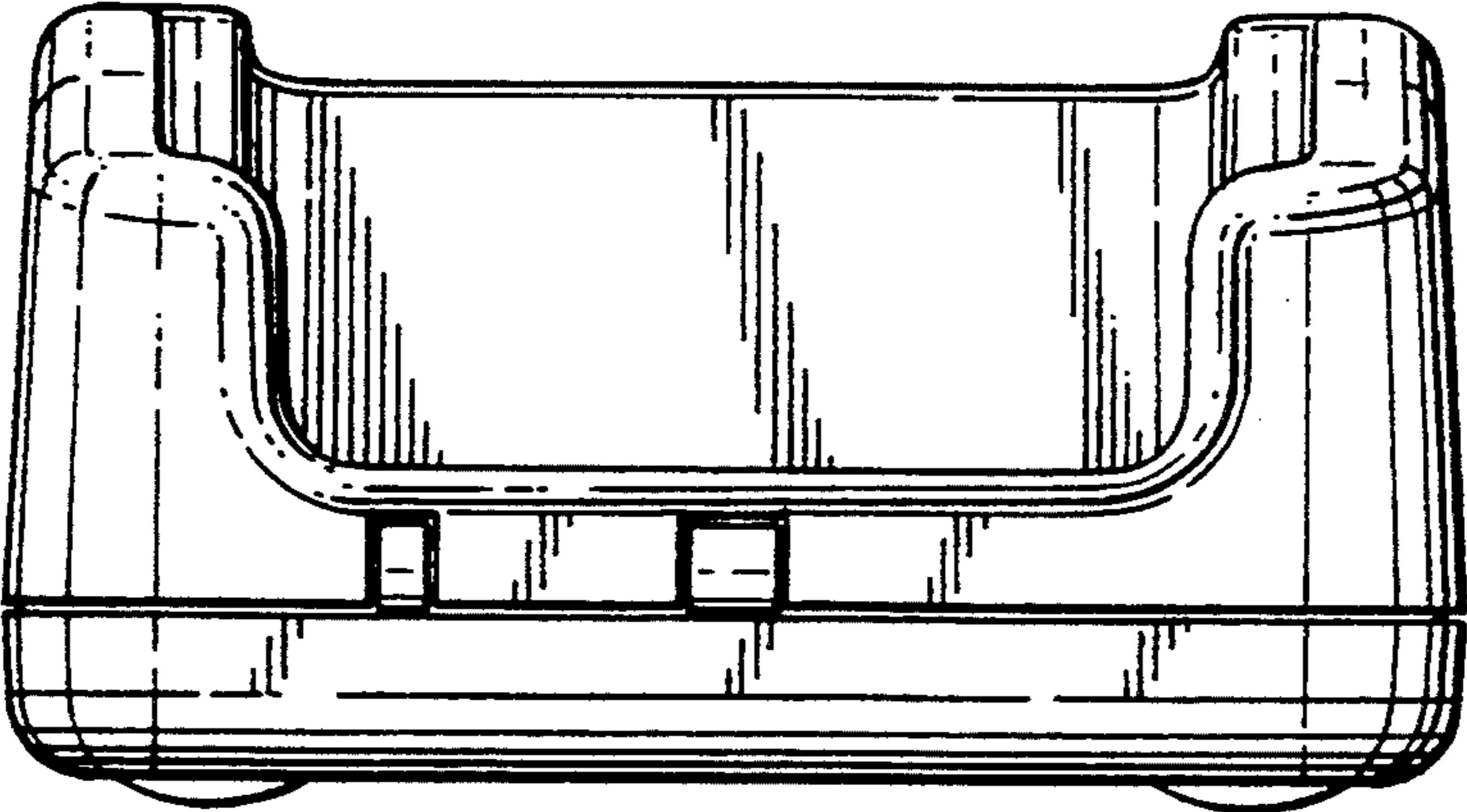


Fig.4.

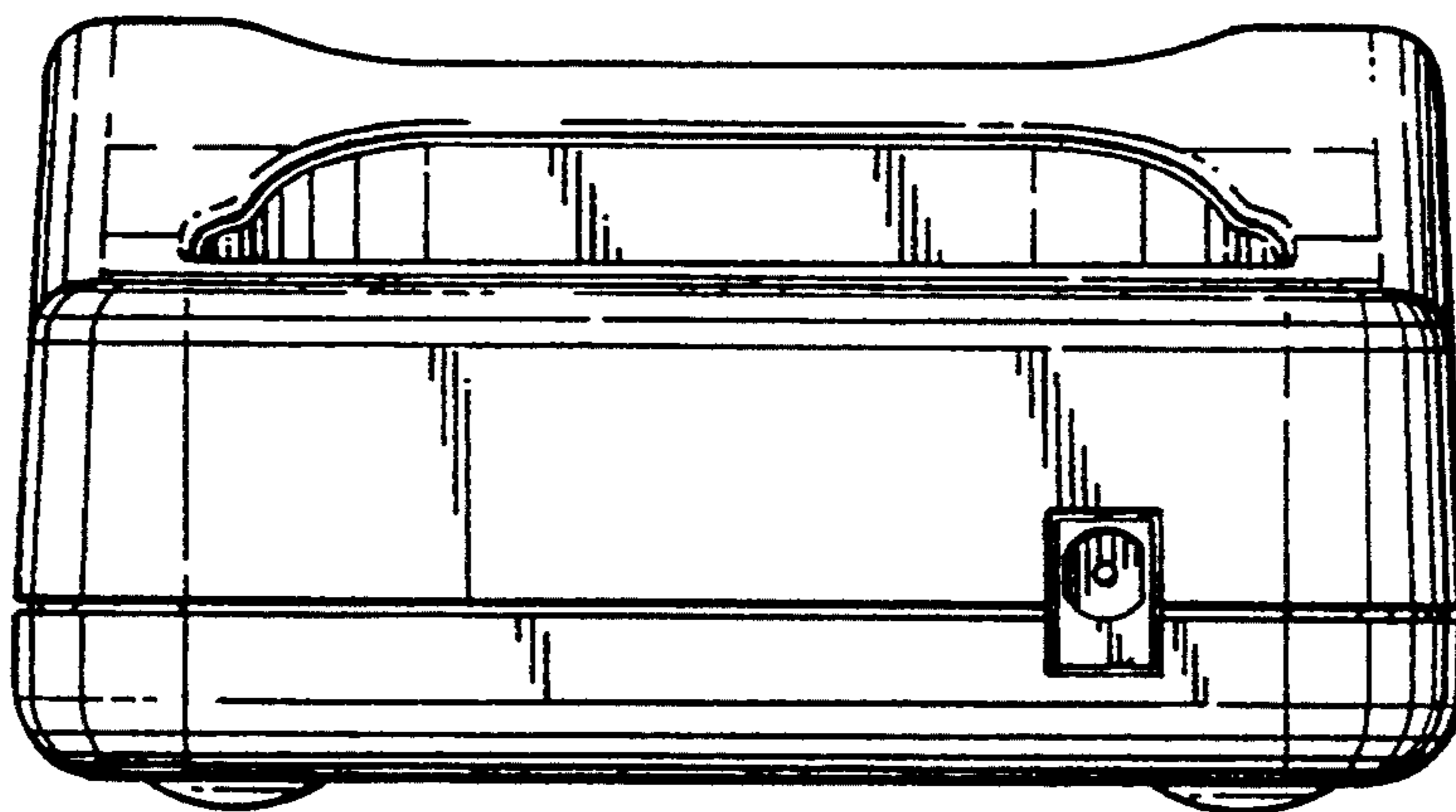


Fig. 5.

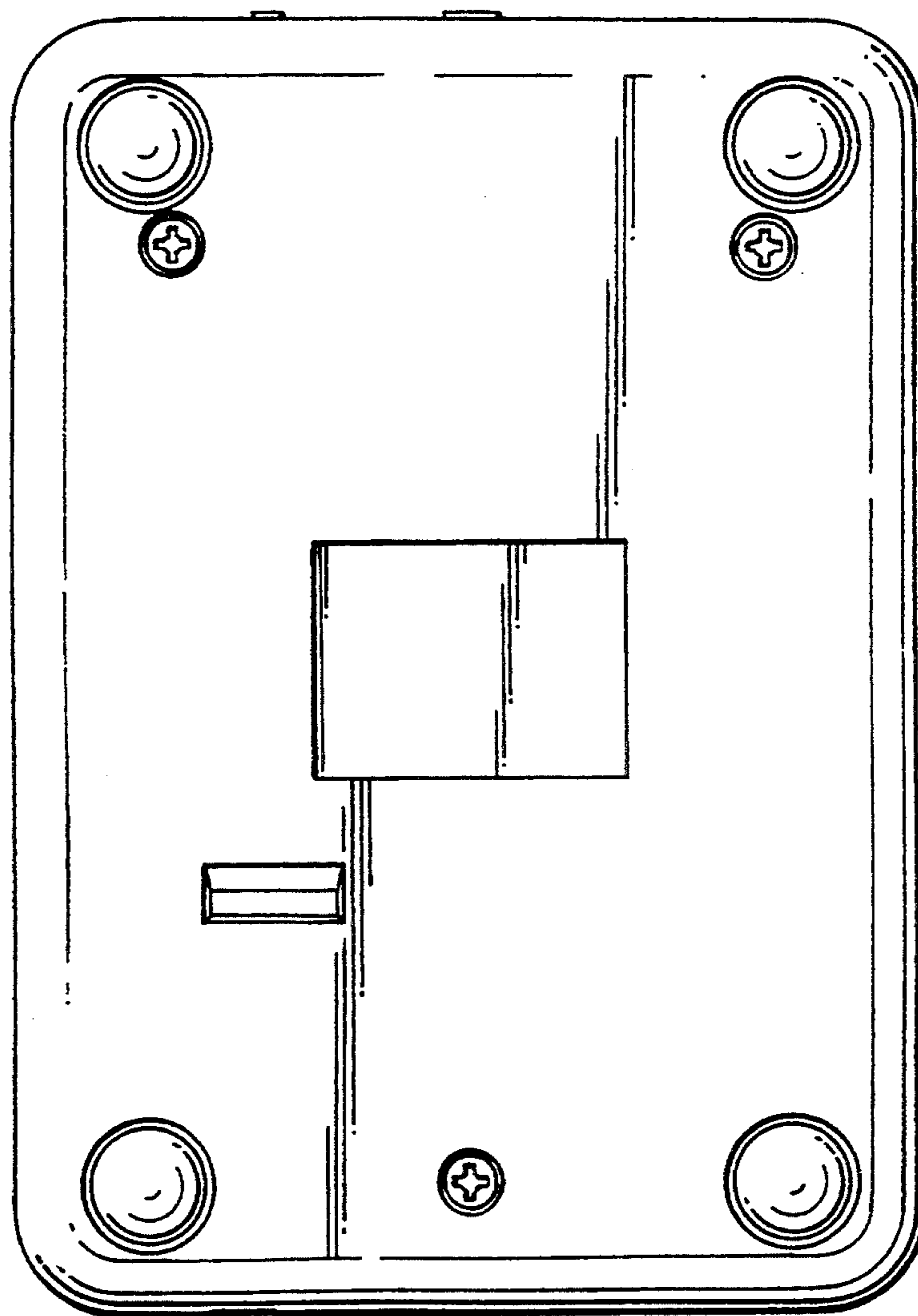


Fig. 6.