



US00D358820S

United States Patent [19]

Gunnarsson

[11] Patent Number: **Des. 358,820**

[45] Date of Patent: **** May 30, 1995**

[54] ANTENNA MOUNT FOR A WINDSHIELD

[75] Inventor: **Ebbe Gunnarsson, Stockholm, Sweden**

[73] Assignee: **Allgon AB, Akersberga, Sweden**

[**] Term: **14 Years**

[21] Appl. No.: **4,494**

[22] Filed: **Feb. 5, 1993**

[30] Foreign Application Priority Data

Aug. 12, 1992 [SE] Sweden 92-1616

[52] U.S. Cl. **D14/238**

[58] Field of Search **D14/230-238, D14/299; 343/713, 715**

[56] References Cited

U.S. PATENT DOCUMENTS

D. 302,160 7/1989 Egashira D14/238
D. 321,886 11/1991 Metivier D14/230 X
4,931,805 6/1990 Fisher 343/713 X

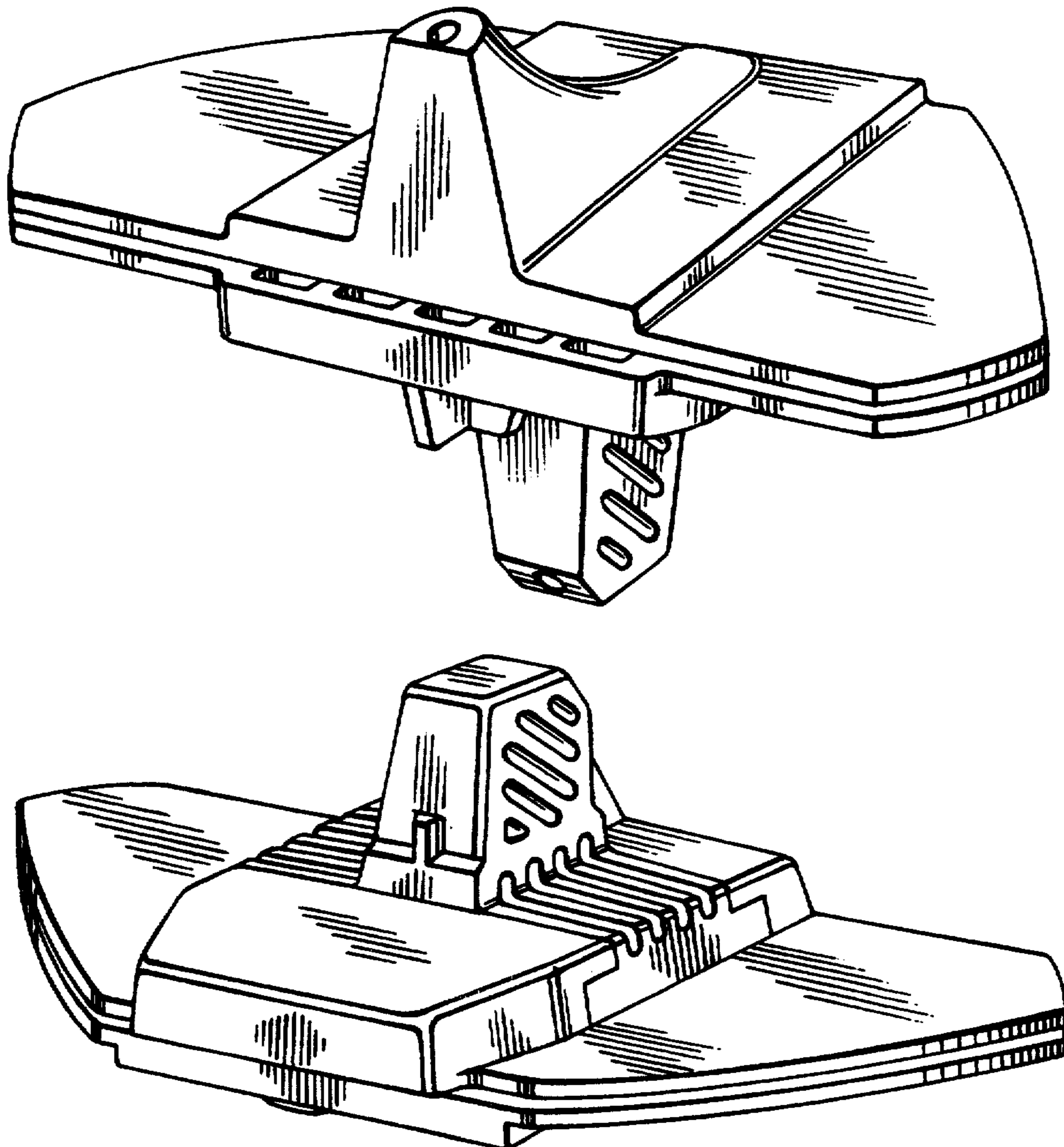
Primary Examiner—Terry A. Wallace
Attorney, Agent, or Firm—Jacobson, Price, Holman & Stern

[57] CLAIM

The ornamental design for an antenna mount for a windshield, as shown and described.

DESCRIPTION

FIG. 1 is a top, front, right side perspective view of an antenna mount for a windshield showing my new design, the left side being identical to the right side; and, FIG. 2 is a bottom, rear, right side perspective view thereof, the left side being identical to the right side.



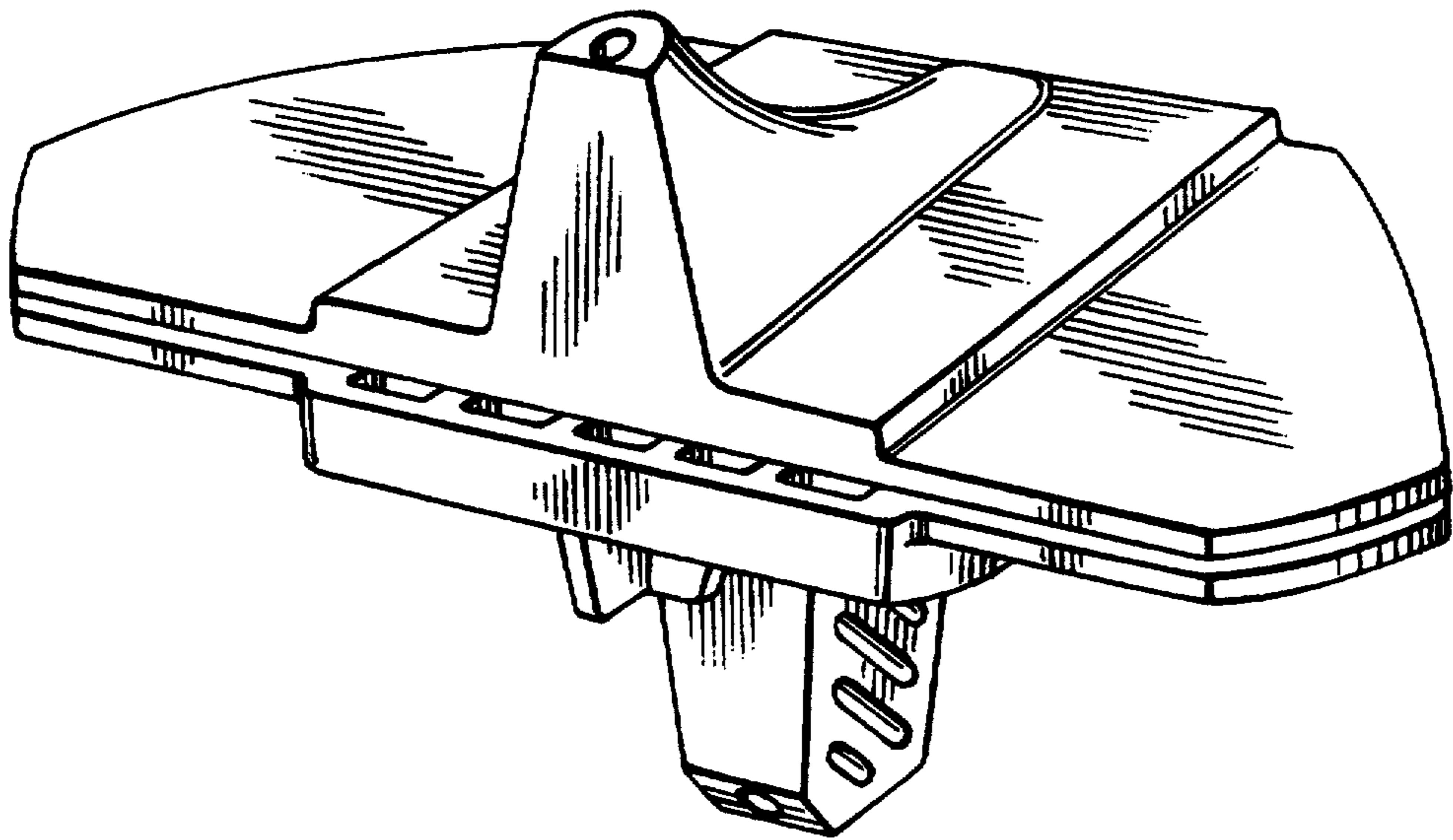


FIG. 1

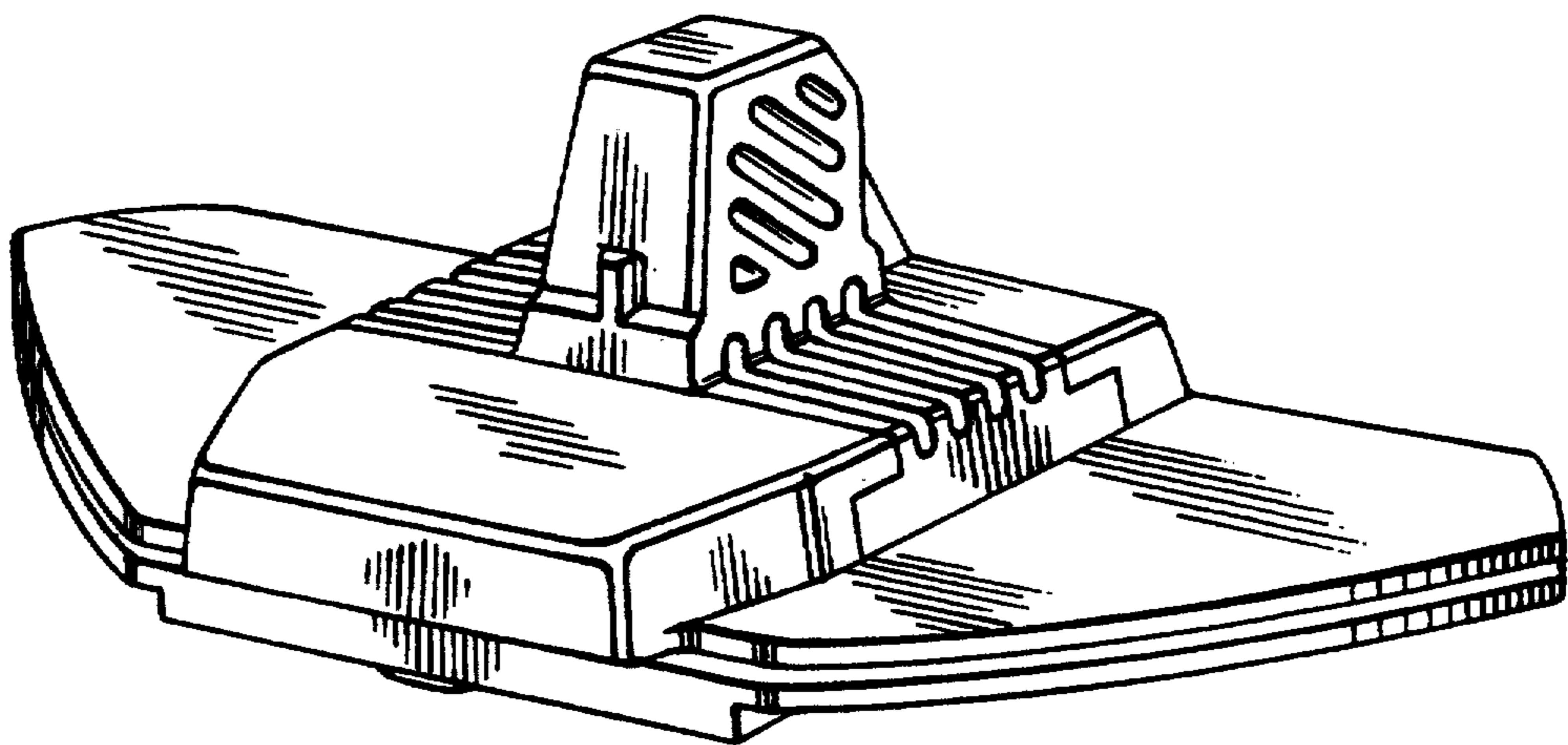


FIG. 2

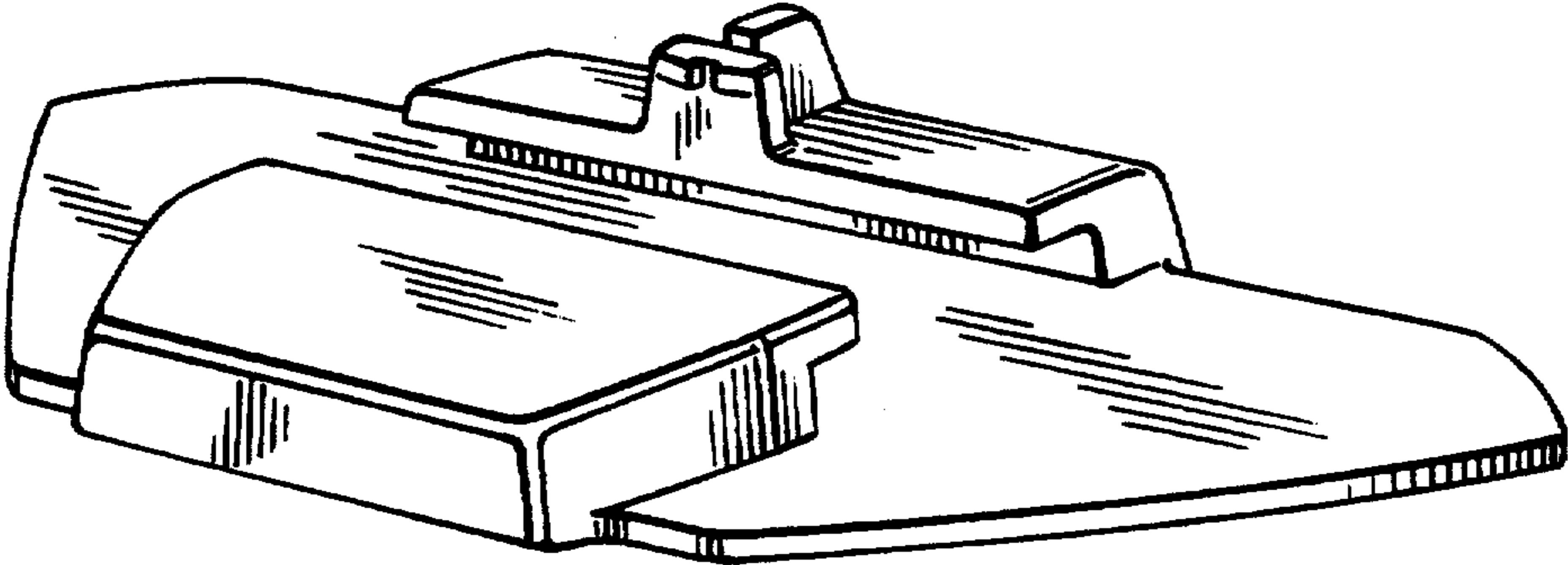


FIG. 3

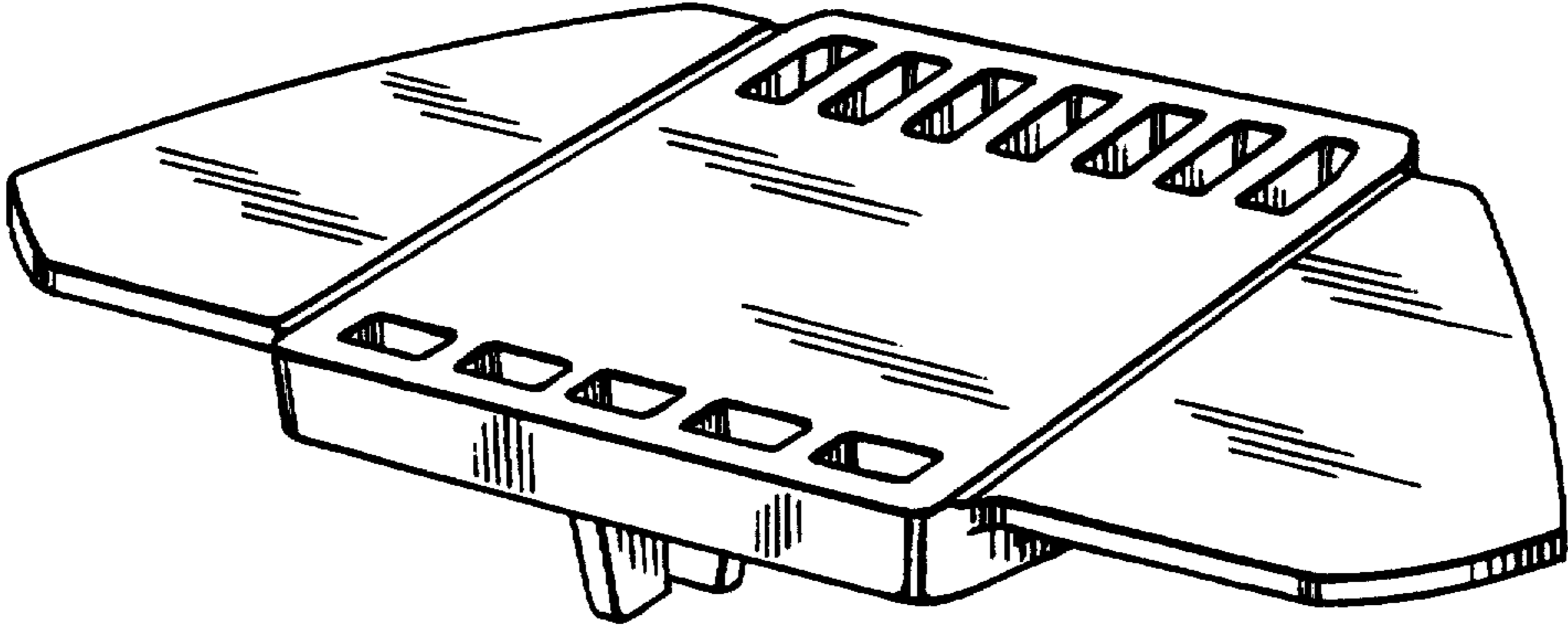


FIG. 4

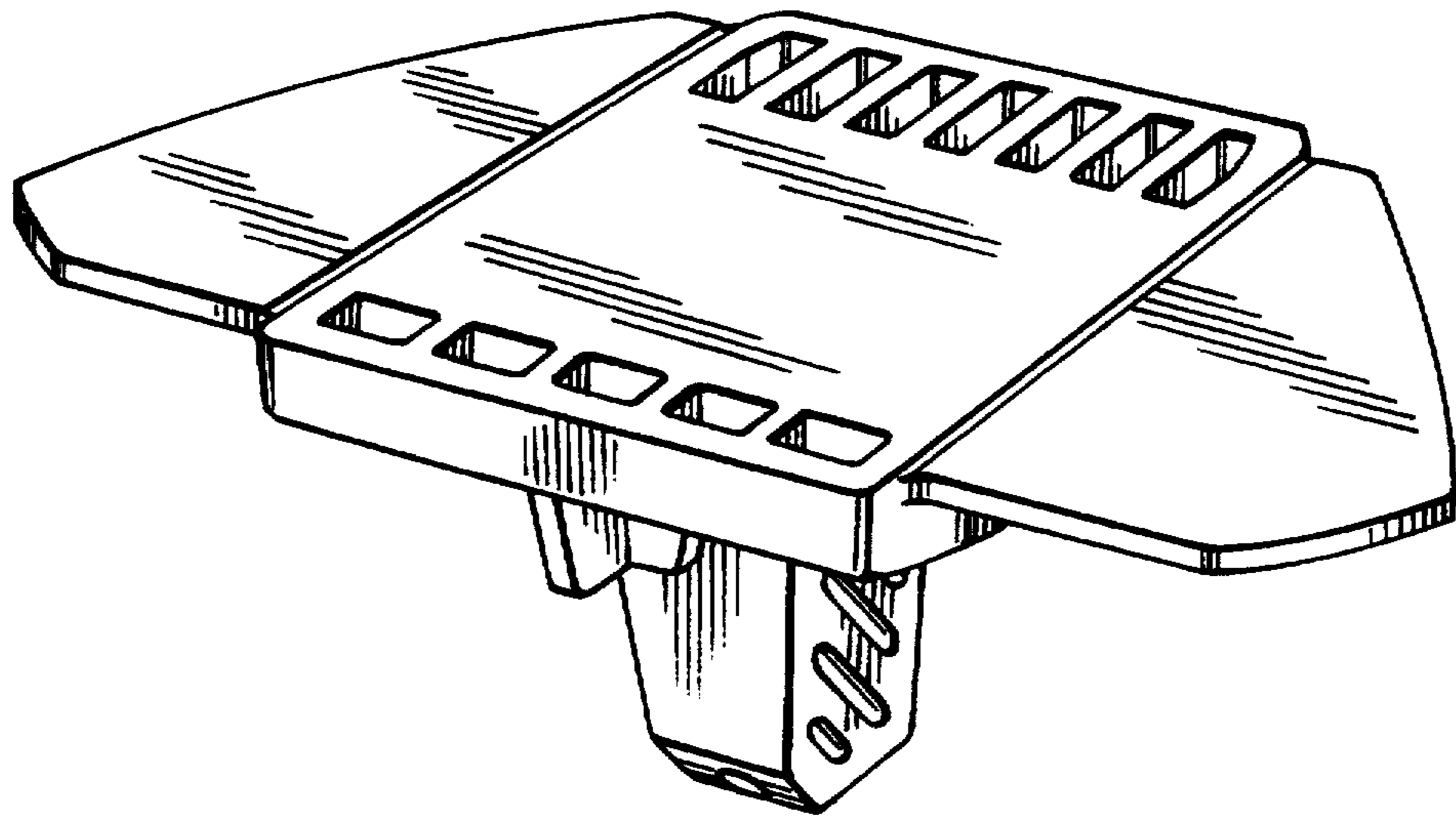


FIG. 5

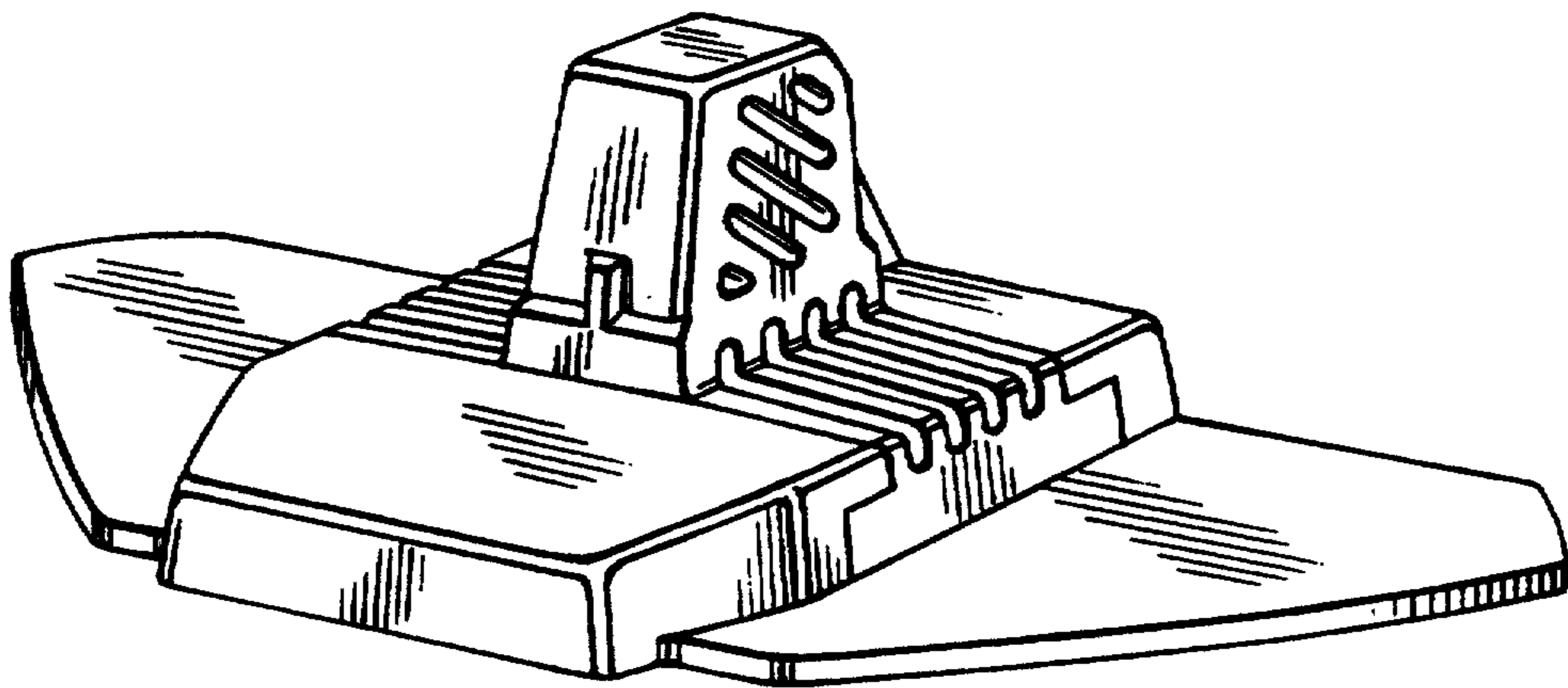


FIG. 6

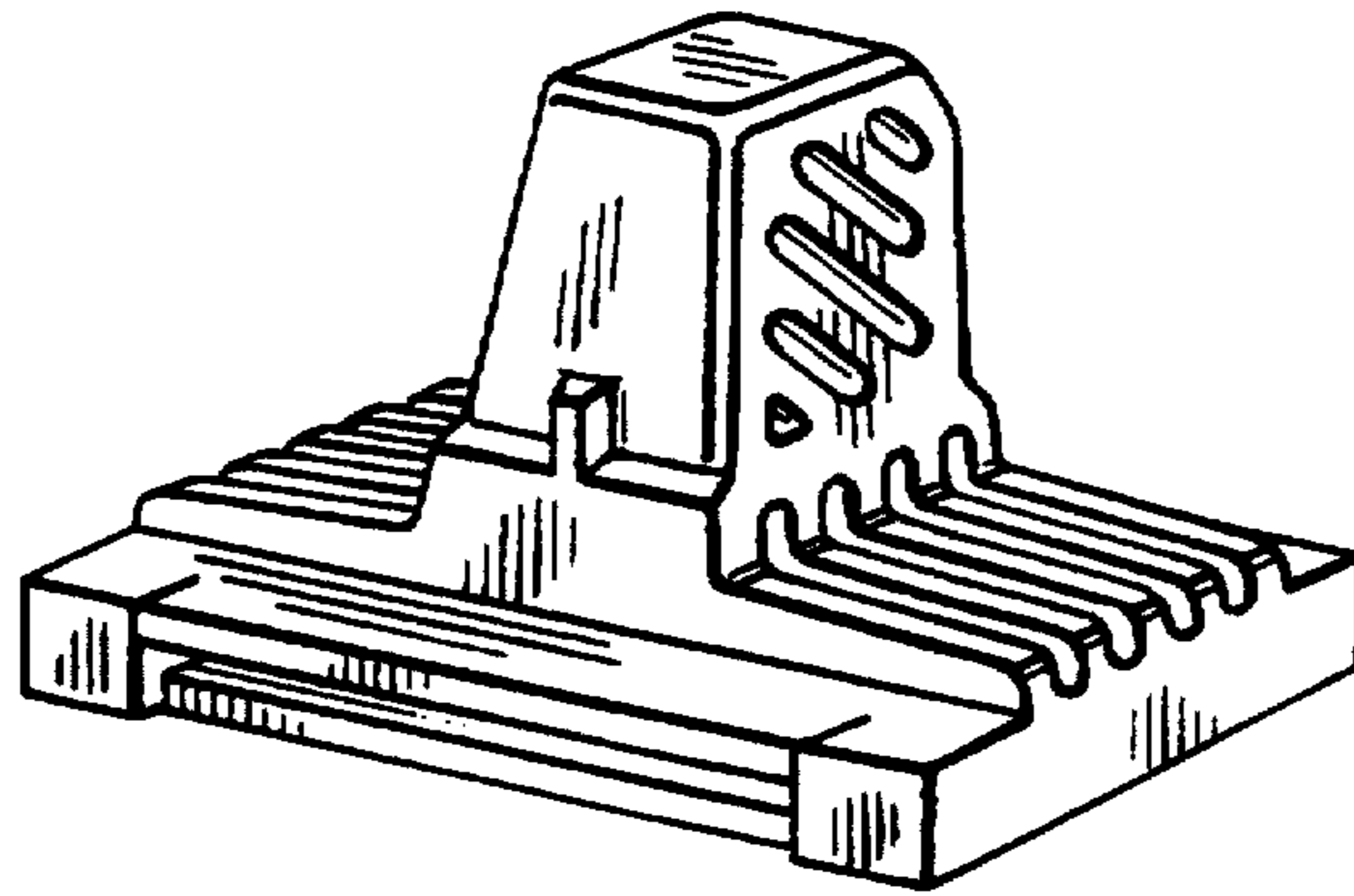


FIG. 7

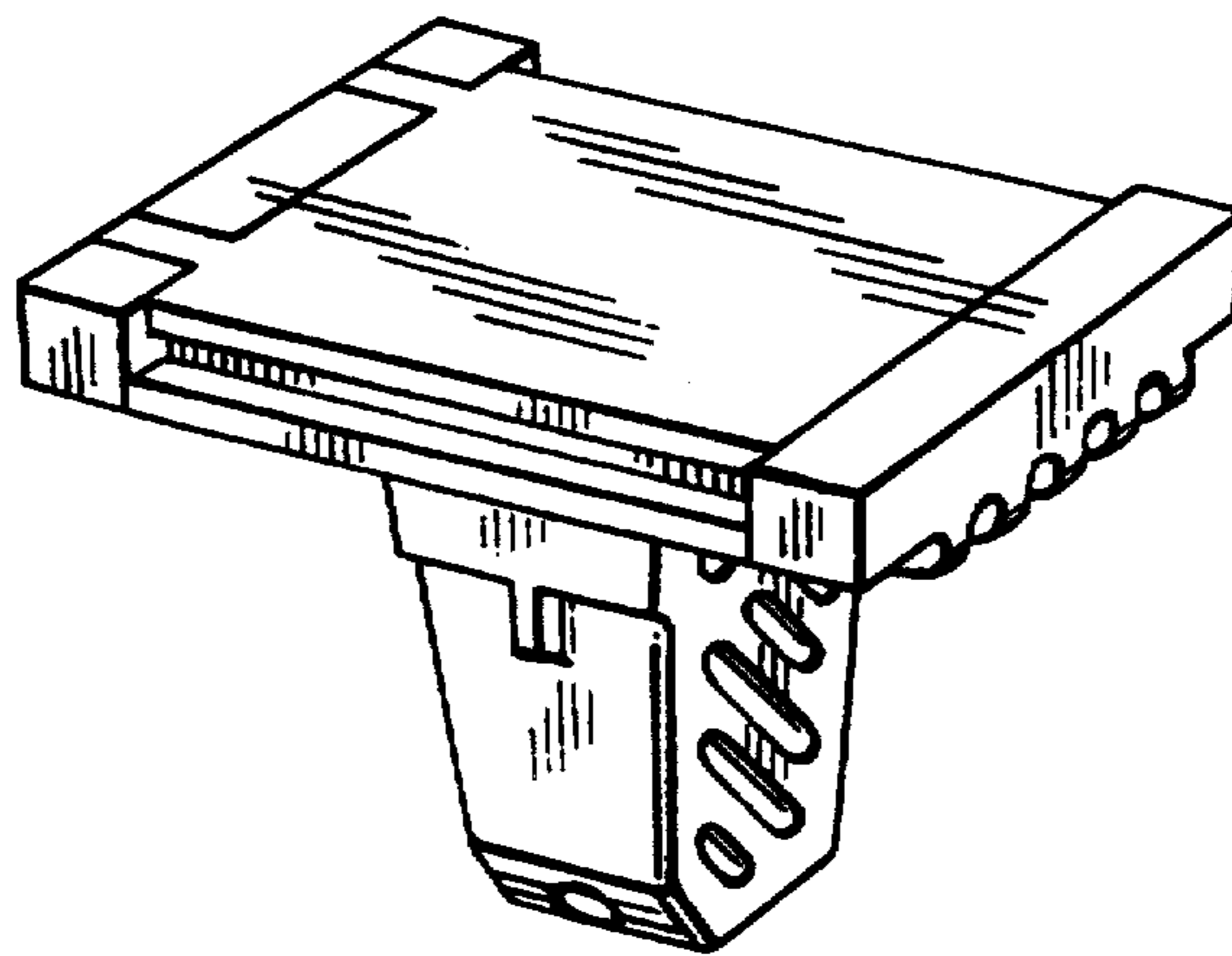


FIG. 8