



US00D358813S

United States Patent [19]

[11] Patent Number: **Des. 358,813**

Hellier et al.

[45] Date of Patent: **** May 30, 1995**

- [54] **DESK STAND FOR A PORTABLE TELEPHONE**
- [75] Inventors: **Robert Hellier; Tomek Rudkiewicz,** both of Turku, Finland
- [73] Assignee: **Nokia Mobile Phones Ltd.,** Salo, Finland
- [**] Term: **14 Years**
- [21] Appl. No.: **20,582**
- [22] Filed: **Mar. 29, 1994**
- [30] **Foreign Application Priority Data**
 Sep. 30, 1993 [GB] United Kingdom 2034231
- [52] U.S. Cl. **D14/149; D13/108**
- [58] Field of Search D14/137, 138, 251, 253, D14/240, 140, 114, 100, 149-151, 107, 142; D13/107, 108; 379/58-61, 441-440, 454, 455, 419, 420, 428; 455/89, 90

- D. 321,885 11/1991 Sheldrake D14/253
- D. 335,667 5/1993 Kawakami et al. D14/142
- D. 348,668 7/1994 Taylor D14/149
- D. 349,485 8/1994 Richards et al. D13/107
- D. 349,899 8/1994 Siddoway et al. D13/108 X
- D. 350,540 9/1994 Hyvönen D14/253 X
- D. 351,164 10/1994 Siddoway et al. D14/149
- D. 352,032 11/1994 Cowan D14/151
- 5,203,021 4/1993 Reoplinger et al. 455/90
- 5,301,224 4/1994 Major 379/58

- [56] **References Cited**
U.S. PATENT DOCUMENTS
 D. 275,103 8/1984 Landry D14/114
 D. 275,951 10/1984 Taylor D14/151
 D. 277,662 2/1985 Huntington et al. D13/107
 D. 316,416 4/1992 Cant et al. D14/252
 D. 319,052 8/1991 Major D14/138
 D. 319,061 8/1991 Powell et al. D14/240

OTHER PUBLICATIONS

Skil Charger Stands, charger at bottom.
Primary Examiner—Jeffrey Asch
Attorney, Agent, or Firm—Perman & Green

[57] **CLAIM**
 The ornamental design for a desk stand for a portable telephone, as shown and described.

DESCRIPTION

FIG. 1 is a front perspective view from above and one side of a desk stand for a portable telephone showing our new design;
 FIG. 2 is a front view;
 FIG. 3 is a top plan view;
 FIG. 4 is a bottom plan view;
 FIG. 5 is an other side view; and,
 FIG. 6 is a rear view.

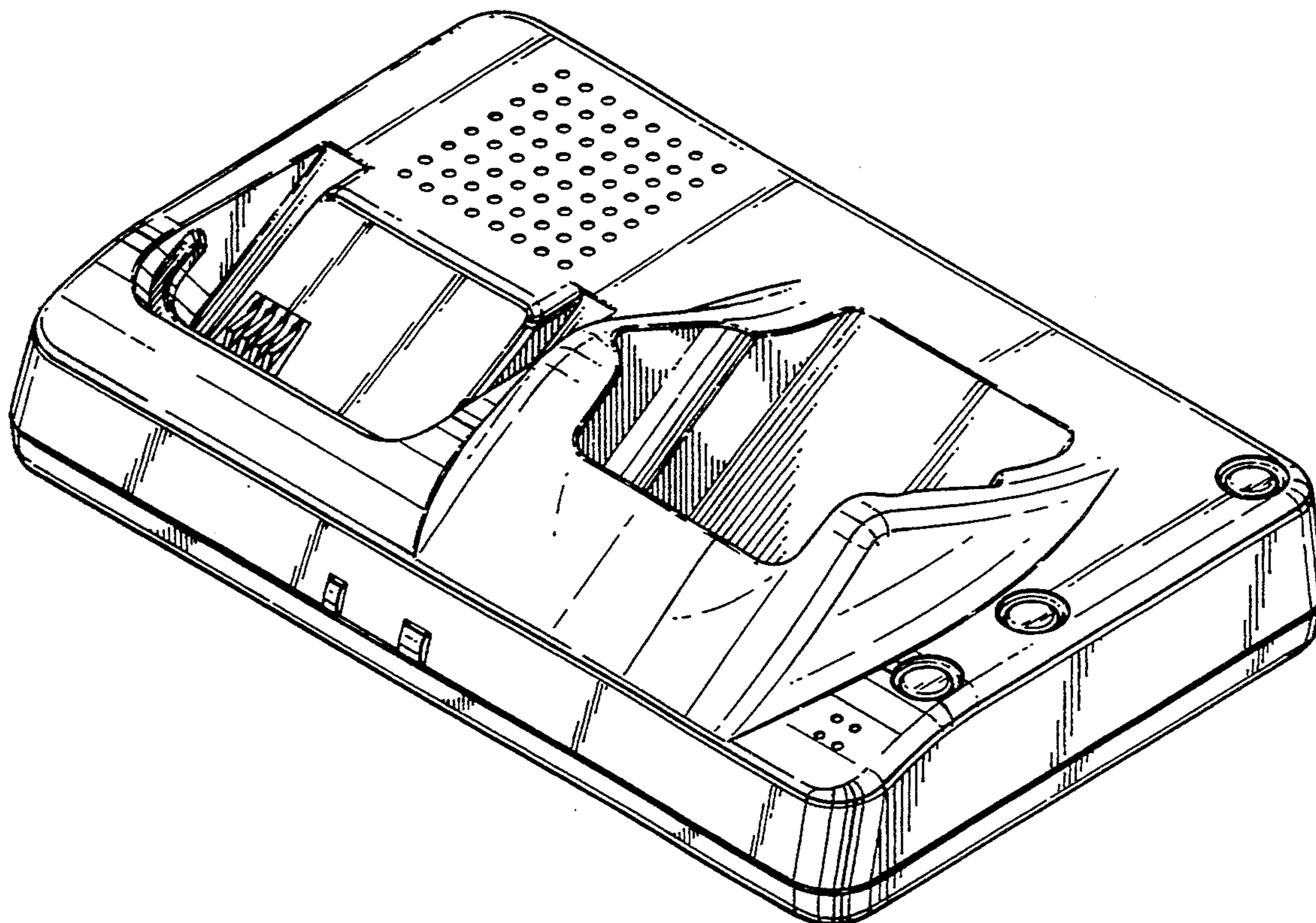


Fig. 1.

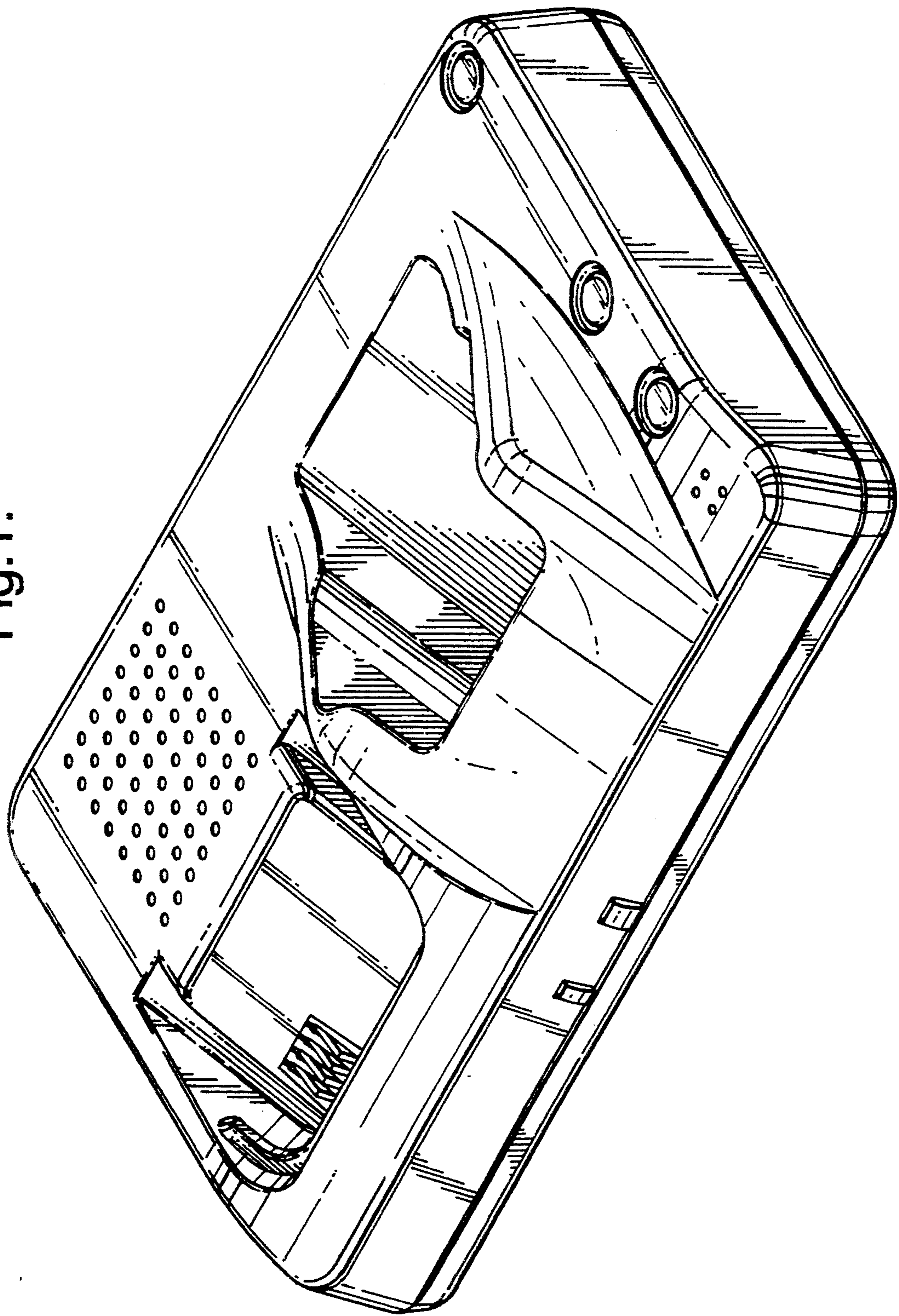


Fig.2.

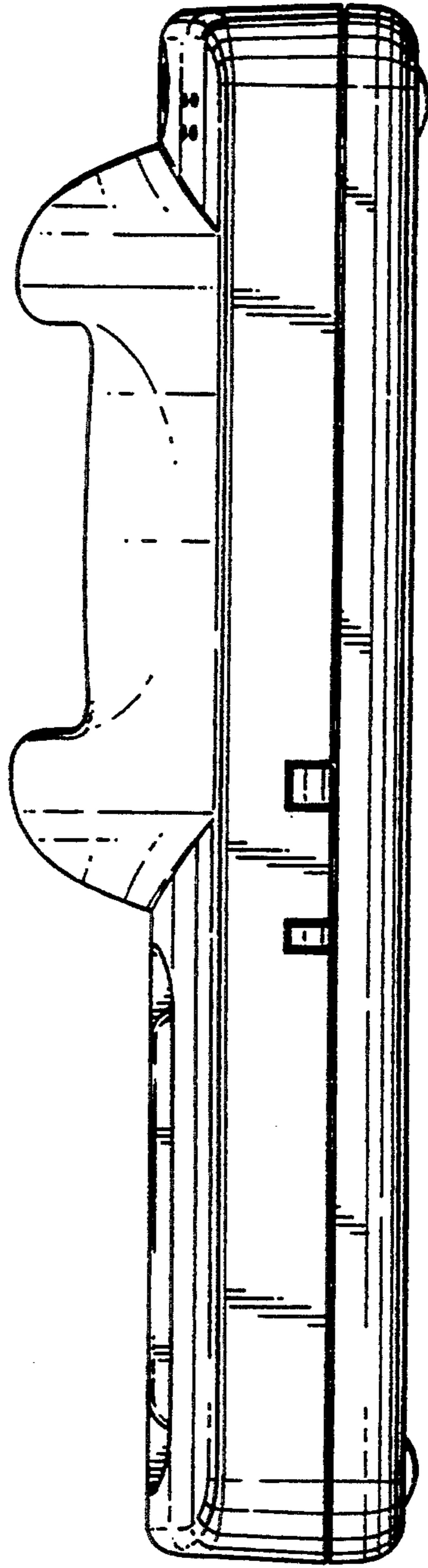


Fig. 3.

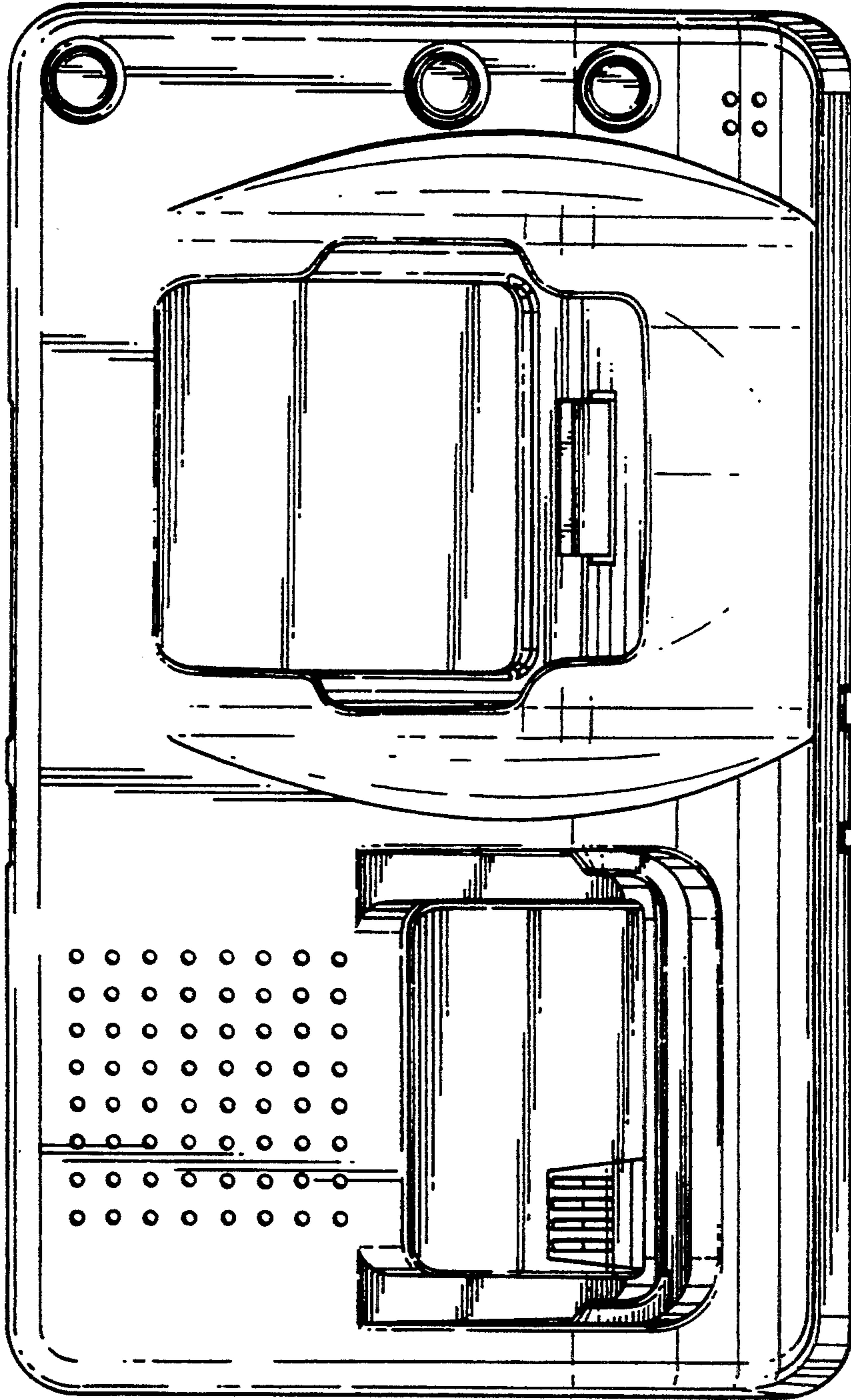


Fig.4.

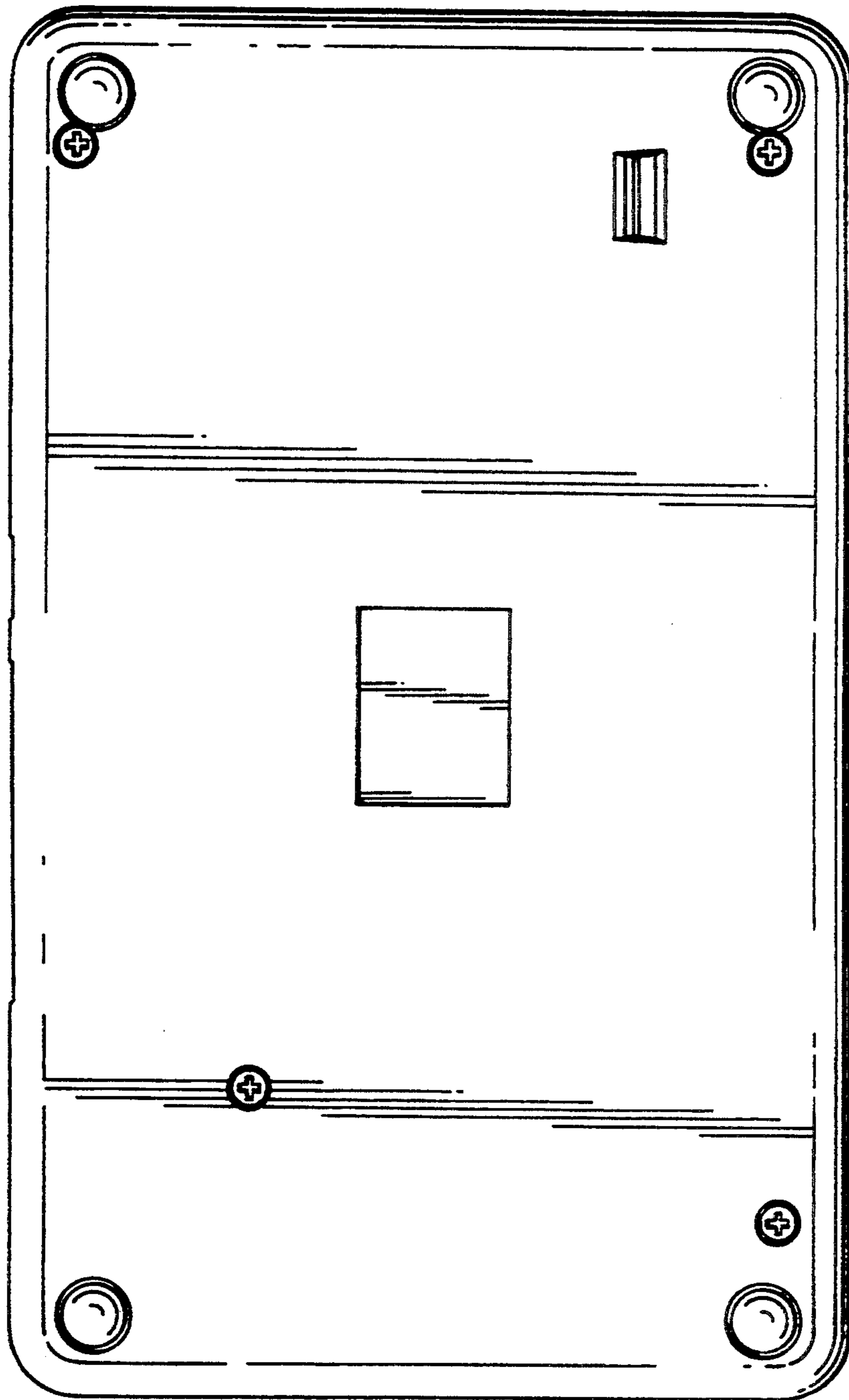


Fig.5.

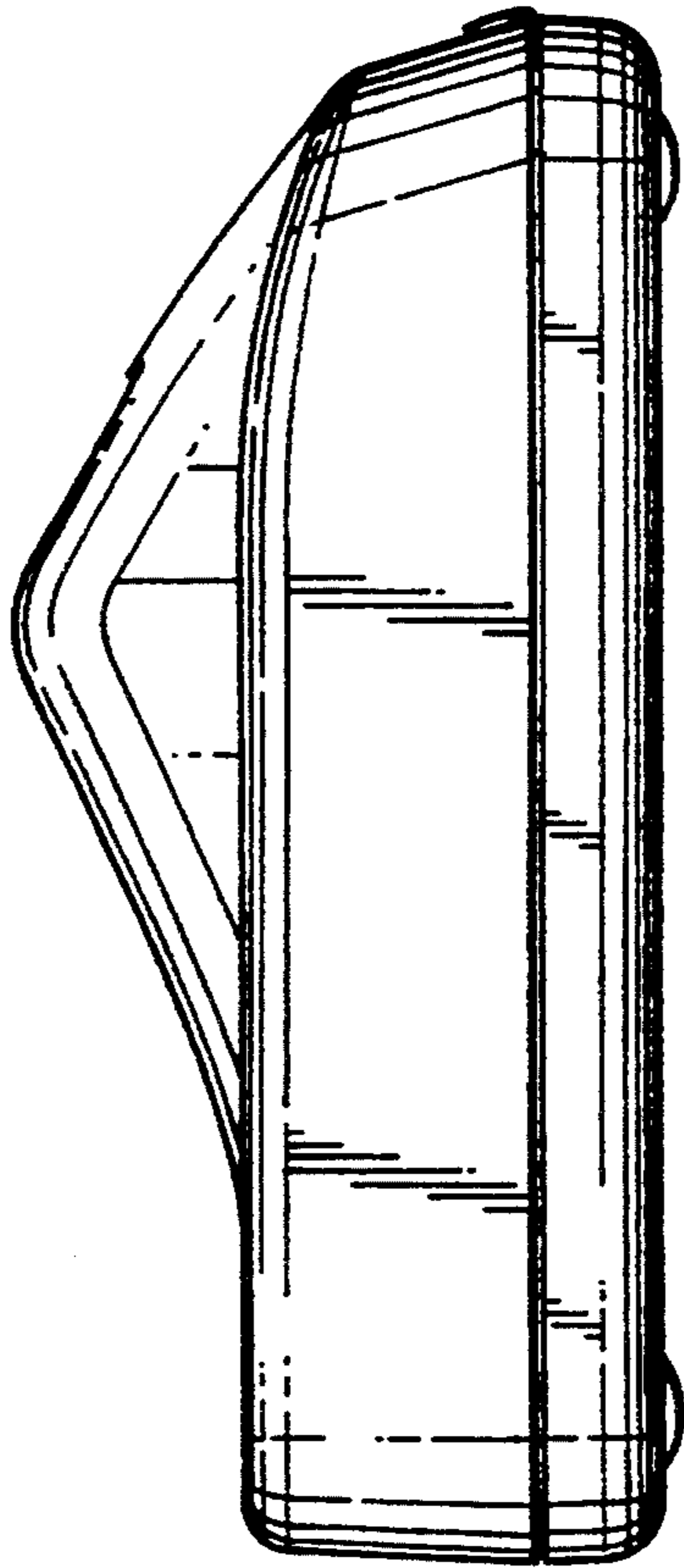


Fig.6.

