



US00D358811S

# United States Patent [19]

[11] Patent Number: **Des. 358,811**

**Chien**

[45] Date of Patent: **\*\* May 30, 1995**

[54] **FACSIMILE MACHINE**

D. 323,160 1/1992 Udagawa ..... D14/118

[75] Inventor: **L. T. Chien**, Taipei Hsien, Taiwan, Prov. of China

### OTHER PUBLICATIONS

Dealerscope Merchandising, Aug. 1987, pp. 30-31, Brother FAX.

[73] Assignee: **Royal Information Electronics Co. Ltd.**, Tucheng Hsiang Taipei Hsien, Taiwan, Prov. of China

*Primary Examiner*—Theodore M. Shooman  
*Attorney, Agent, or Firm*—Ostrolenk, Faber, Gerb & Soffen

[\*\*] Term: **14 Years**

[21] Appl. No.: **10,994**

### [57] CLAIM

The ornamental design for facsimile machine, as shown and described.

[22] Filed: **Jul. 22, 1993**

[52] U.S. Cl. .... **D14/118**

[58] Field of Search ..... D14/118, 124, 299; 358/400, 401

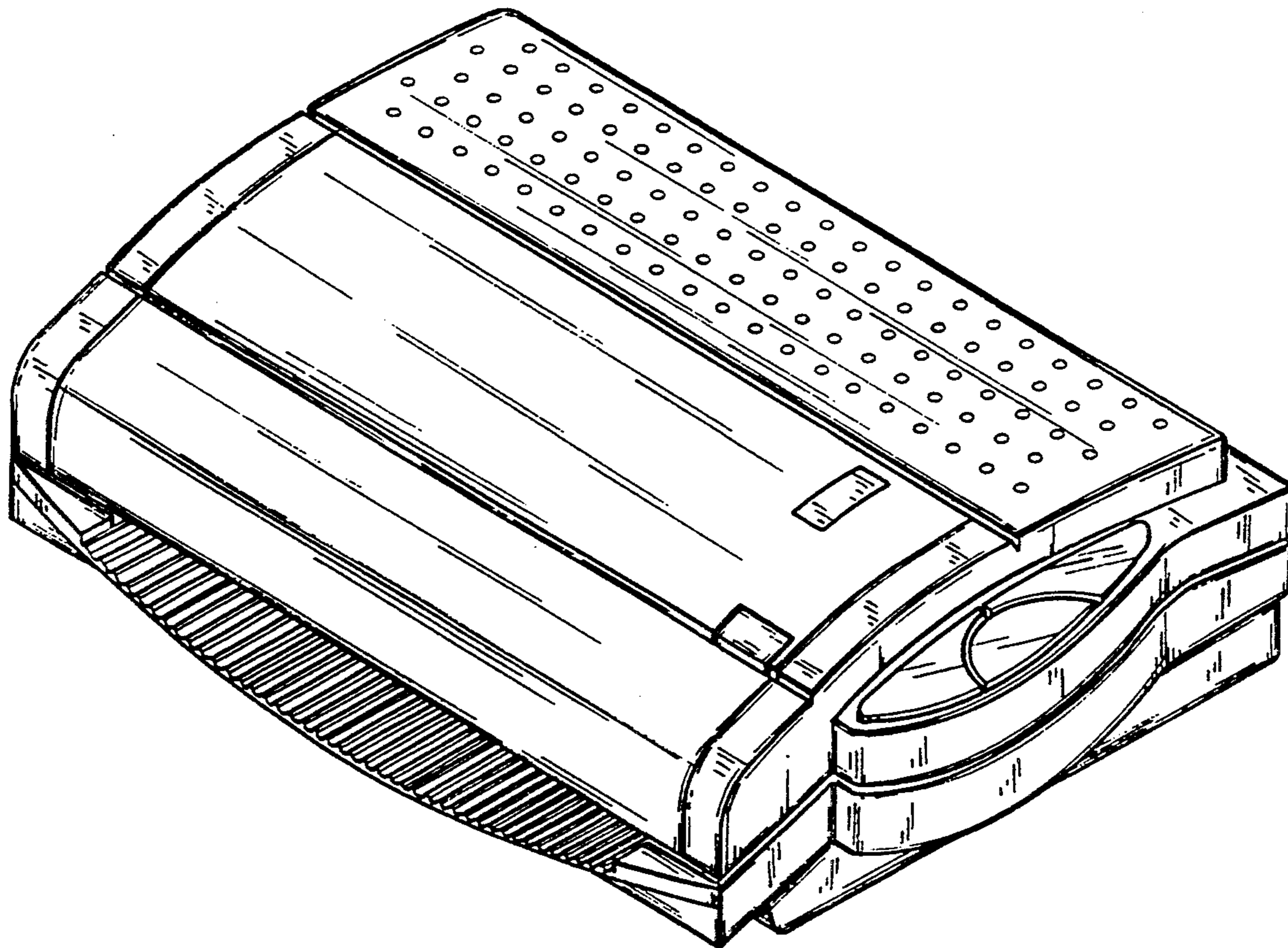
### DESCRIPTION

FIG. 1 is a perspective view of a facsimile machine showing my new design;  
FIG. 2 is a front elevational view thereof;  
FIG. 3 is a rear elevational view thereof;  
FIG. 4 is a left side elevational view thereof;  
FIG. 5 is a right side elevational view thereof;  
FIG. 6 is a top view thereof; and,  
FIG. 7 is a bottom view thereof.

### [56] References Cited

#### U.S. PATENT DOCUMENTS

- D. 295,750 5/1988 Imai ..... D14/118 X
- D. 301,035 5/1989 Ooie ..... D14/118
- D. 304,184 10/1989 Watanabe ..... D14/118
- D. 312,079 11/1990 Komatsu ..... D14/118



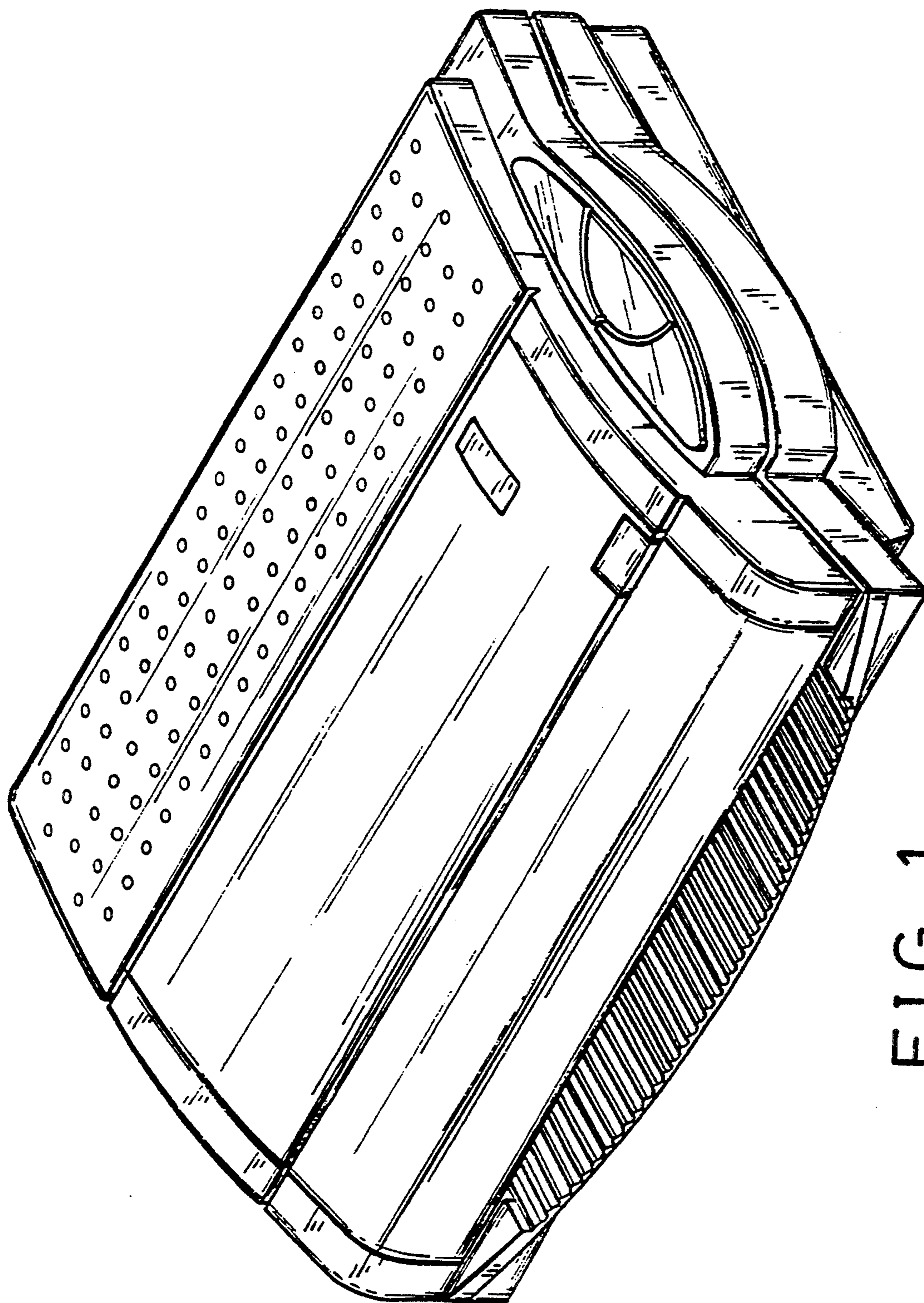


FIG. 1

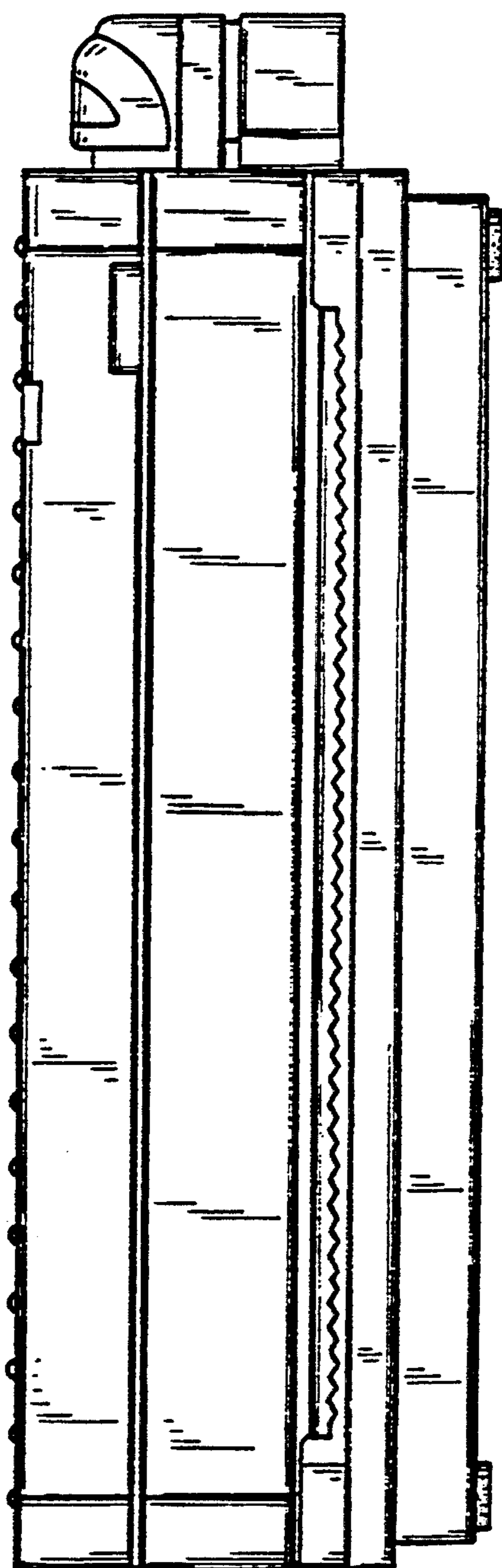


FIG. 2

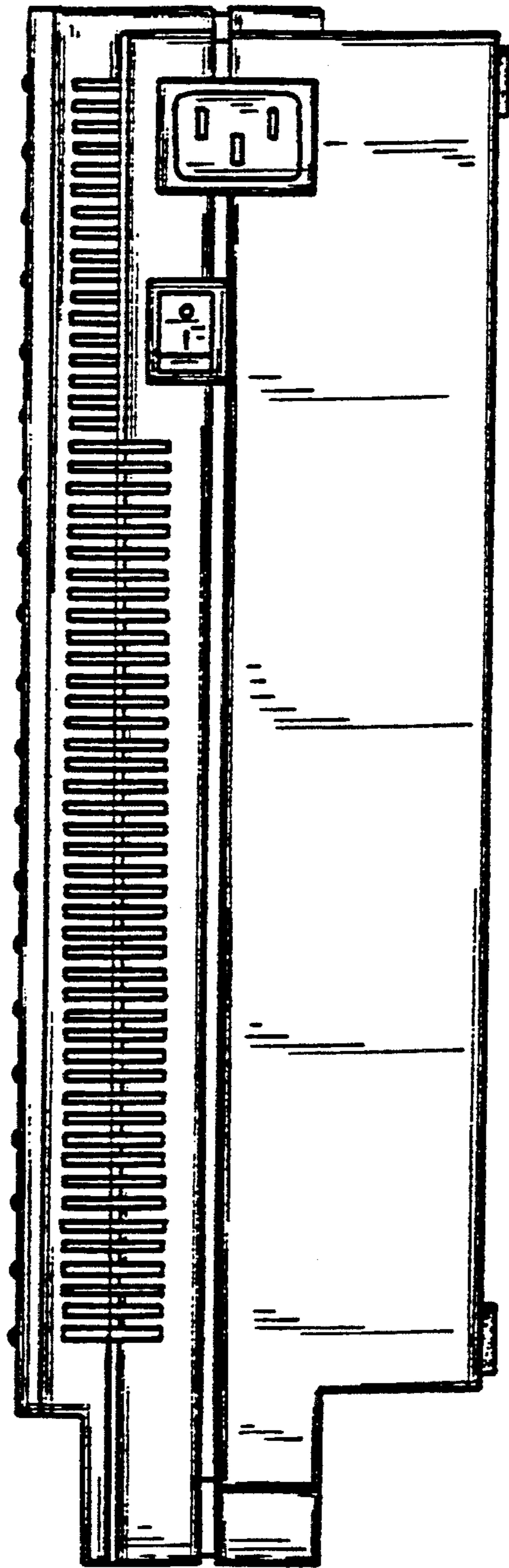


FIG. 3

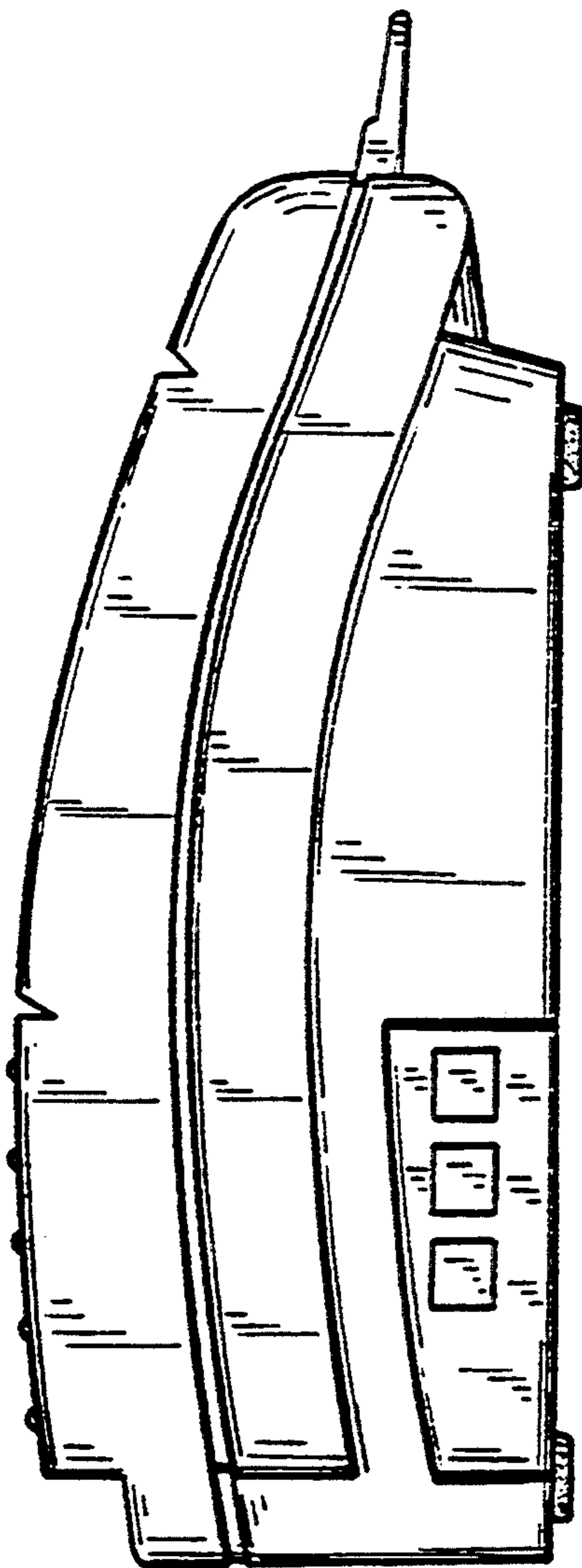


FIG. 4

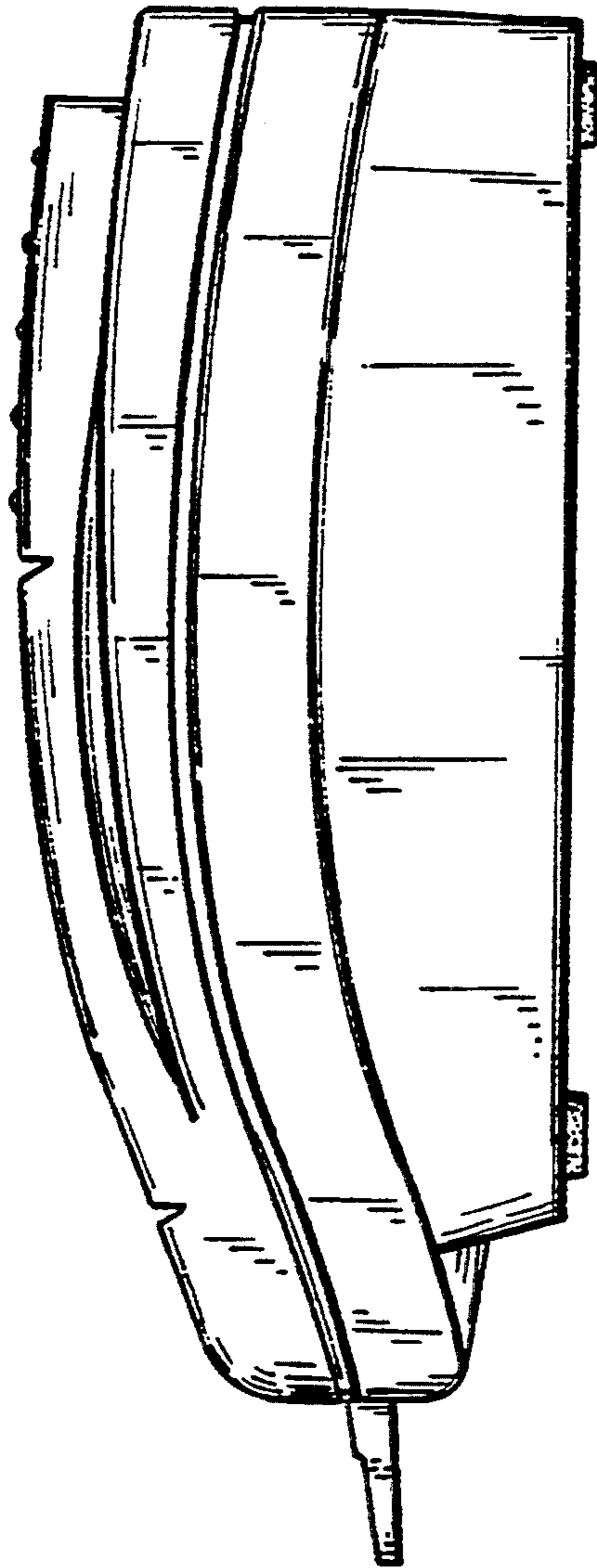


FIG. 5

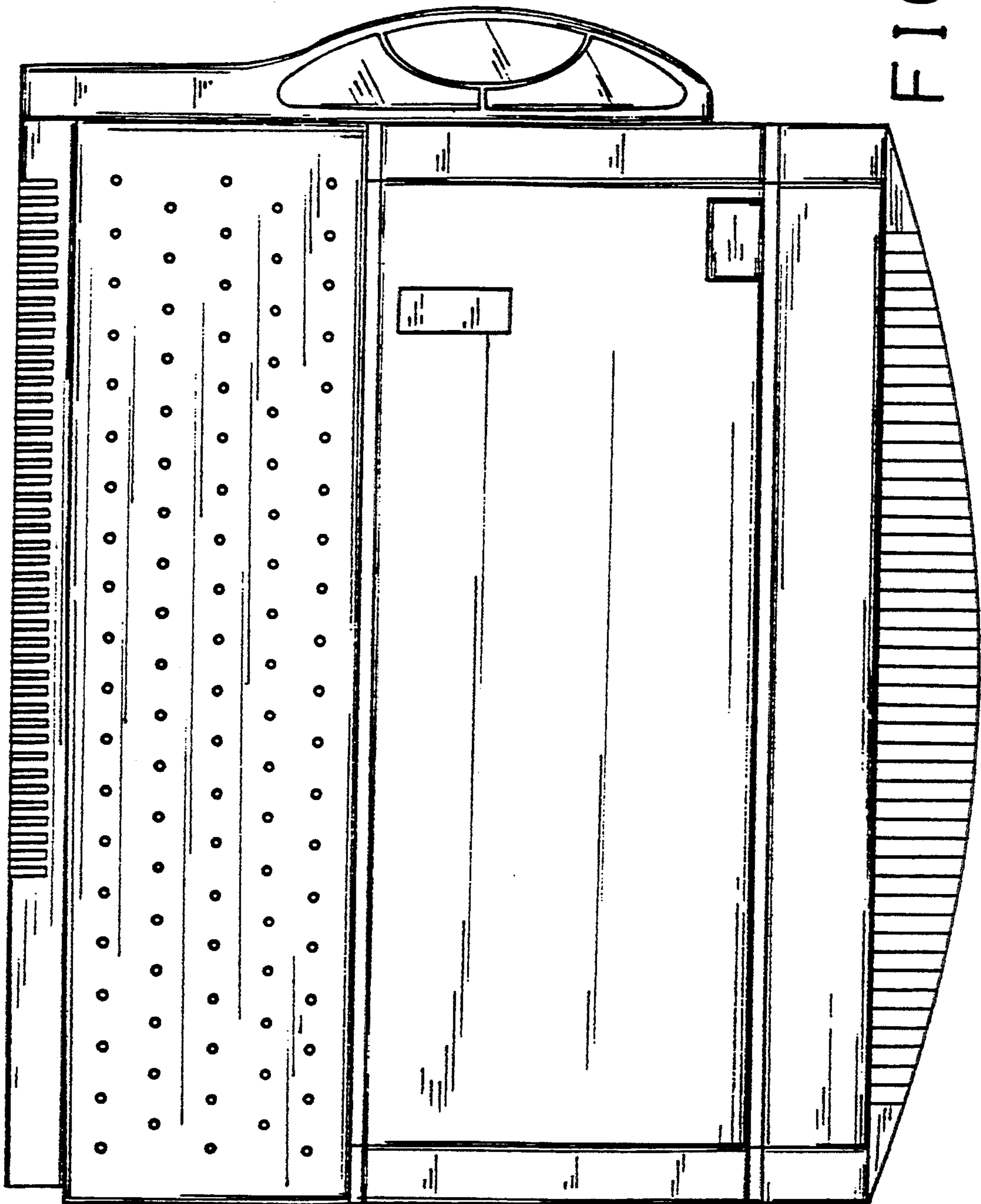


FIG. 6

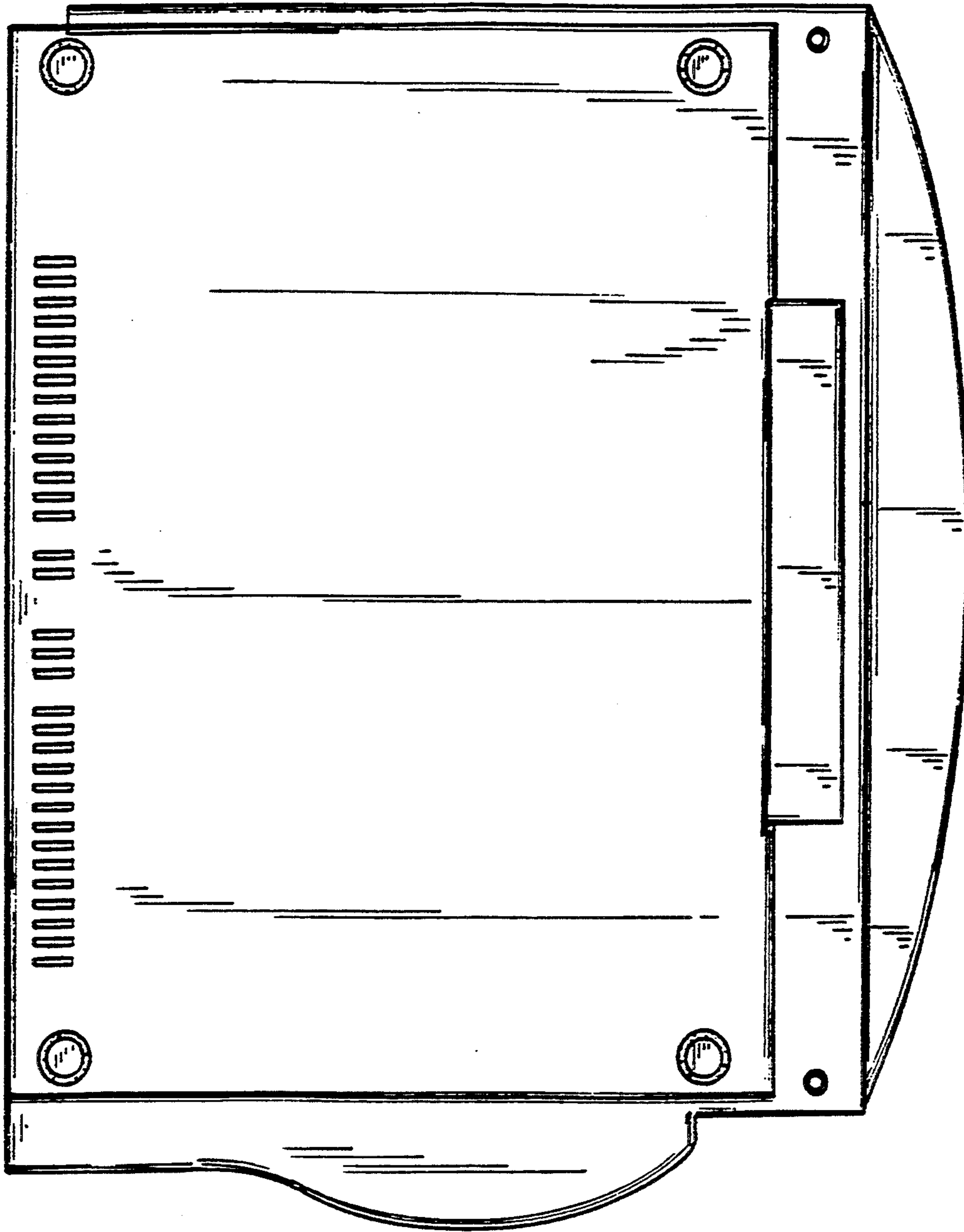


FIG. 7