



US00D358810S

United States Patent [19]

[11] Patent Number: **Des. 358,810**

Gotham et al.

[45] Date of Patent: **** May 30, 1995**

[54] KEYBOARD AND ADJUSTABLE DISPLAY

[75] Inventors: **David R. Gotham**, Rochester, N.Y.;
William H. Cushman, Irving, Tex.;
Arthur N. Nielsen, Pittsford, N.Y.

[73] Assignee: **Eastman Kodak Company**,
Rochester, N.Y.

[**] Term: **14 Years**

[21] Appl. No.: **19,075**

[22] Filed: **Feb. 22, 1994**

[52] U.S. Cl. **D14/115; D14/100**

[58] Field of Search **D14/100, 106, 113, 115;**
D18/1, 7, 11, 12; 235/145 A, 145 R; 200/5 A,
5 R, 6 A, 6 R; 341/22, 23; 364/708.1; 400/472,
479, 486, 488, 489, 484, 485, 682; 345/104, 133,
156, 168, 173, 87, 901-905; 361/680

[56] References Cited

U.S. PATENT DOCUMENTS

D. 302,269 7/1989 Kelly D14/113

FOREIGN PATENT DOCUMENTS

000387011A 9/1990 European Pat. Off. 361/680
686654 9/1986 Japan D14/n Pat. Off.

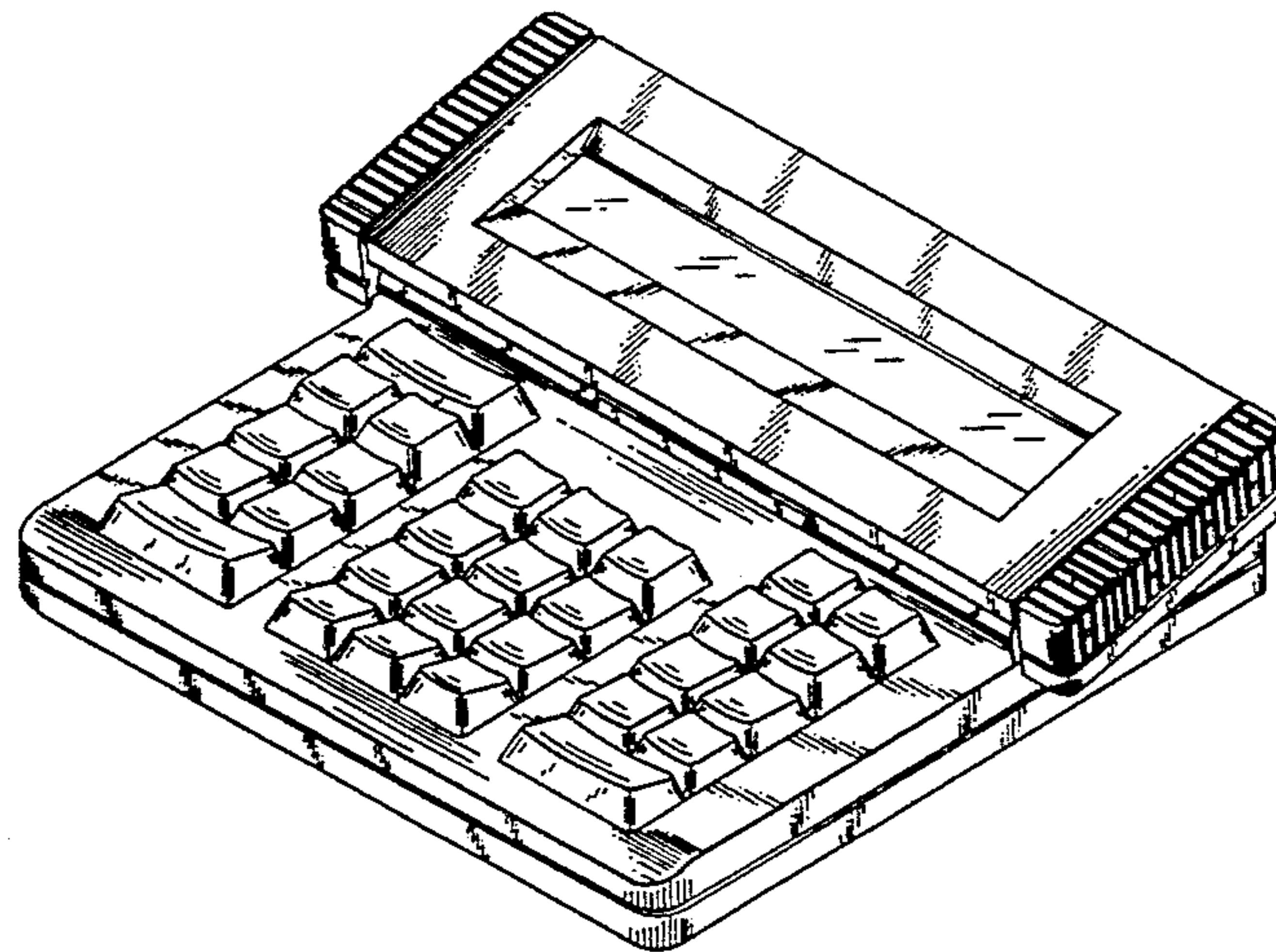
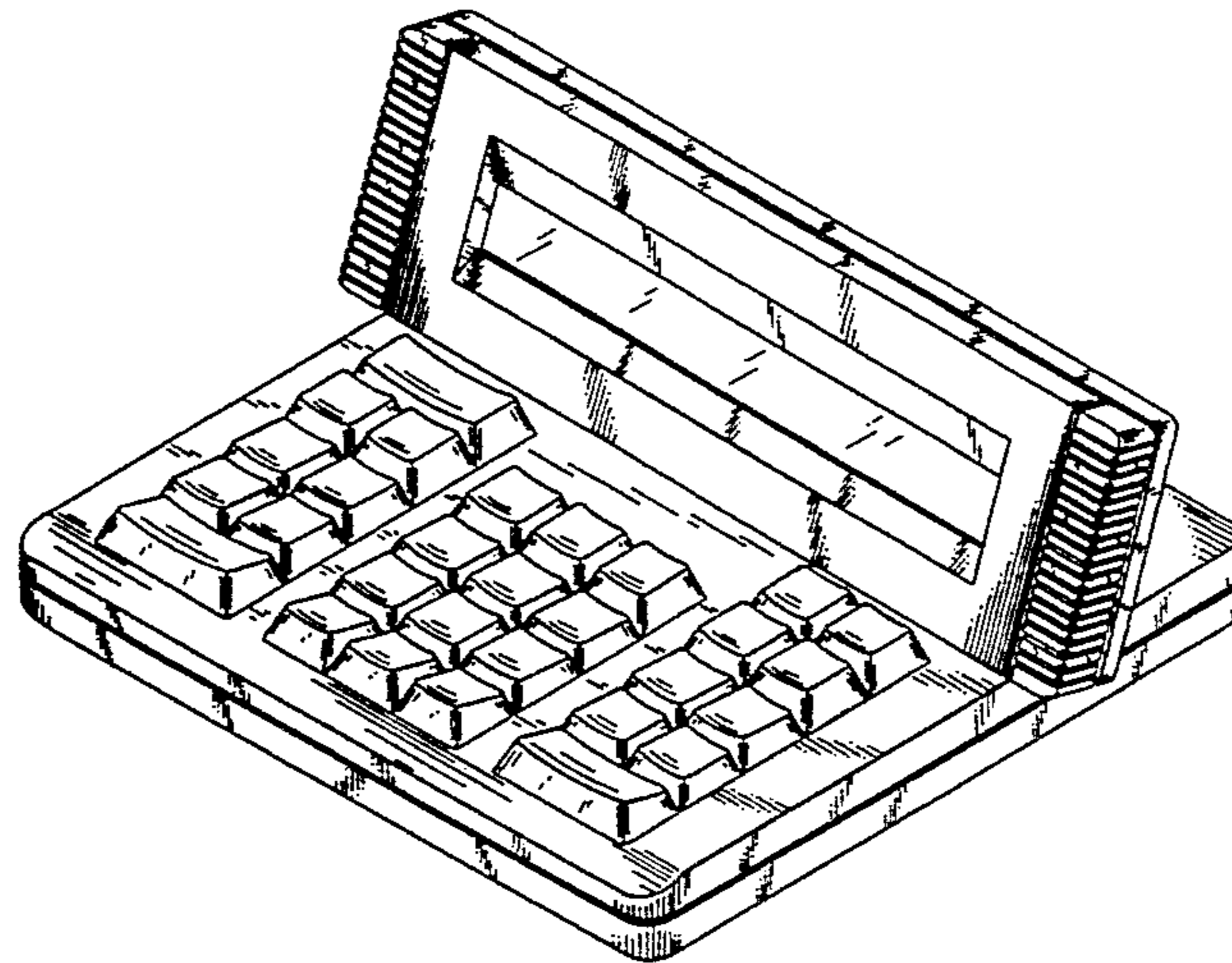
Primary Examiner—Freda S. Nunn
Attorney, Agent, or Firm—Dennis R. Arndt

[57] CLAIM

The ornamental design for a keyboard and adjustable display, as shown and described.

DESCRIPTION

FIG. 1 is a front and right perspective view of a keyboard and adjustable display, with the display in the raised position, showing our new design;
FIG. 2 is a front and right perspective view, with the display in the lowered position, thereof;
FIG. 3 is a right side elevational view thereof;
FIG. 4 is a left side elevational view thereof;
FIG. 5 is a front elevational view thereof;
FIG. 6 is a rear elevational view thereof;
FIG. 7 is a bottom plan view thereof; and,
FIG. 8 is a top plan view thereof. In FIGS. 3 through 8, the display is shown in the raised position.



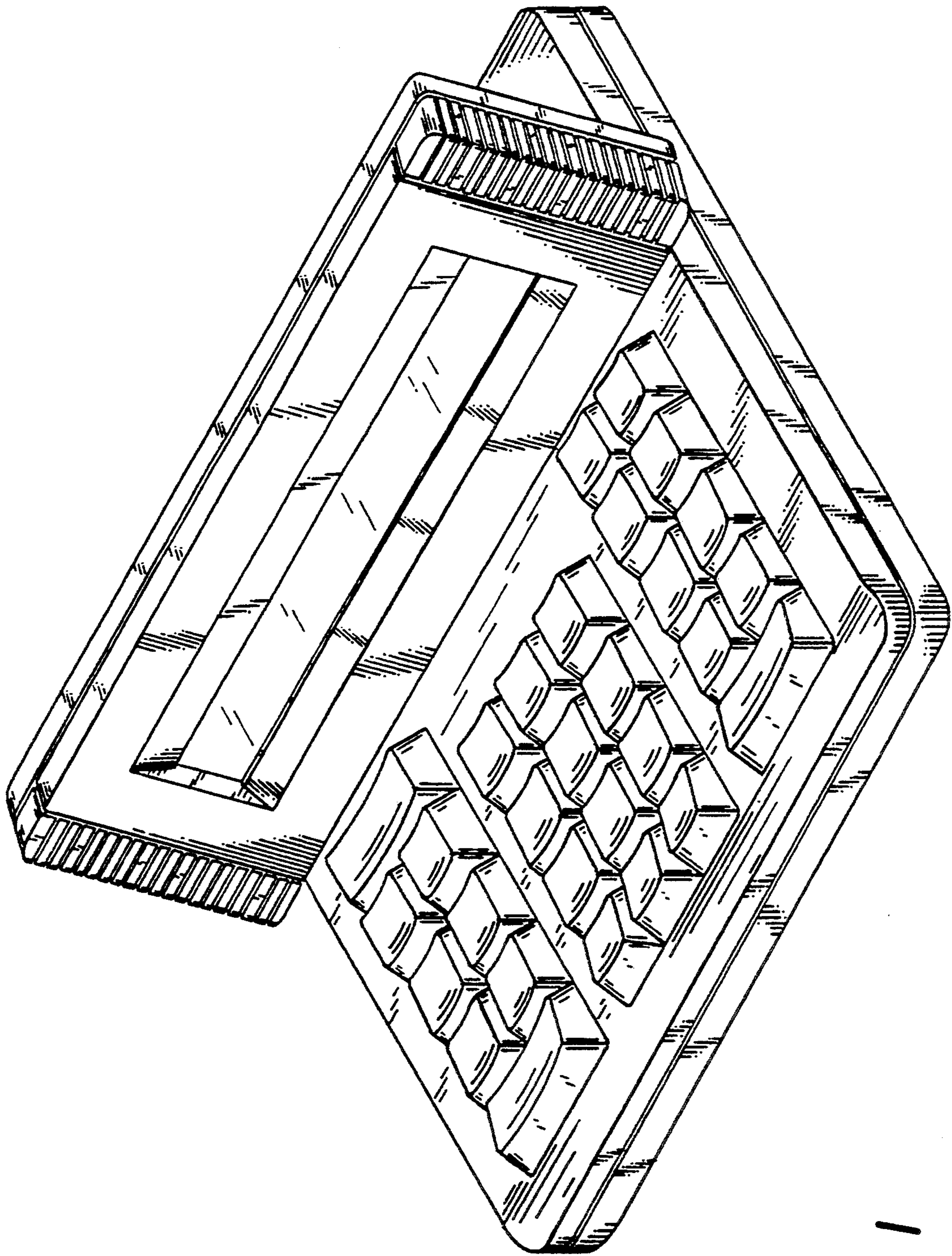


FIG. 1

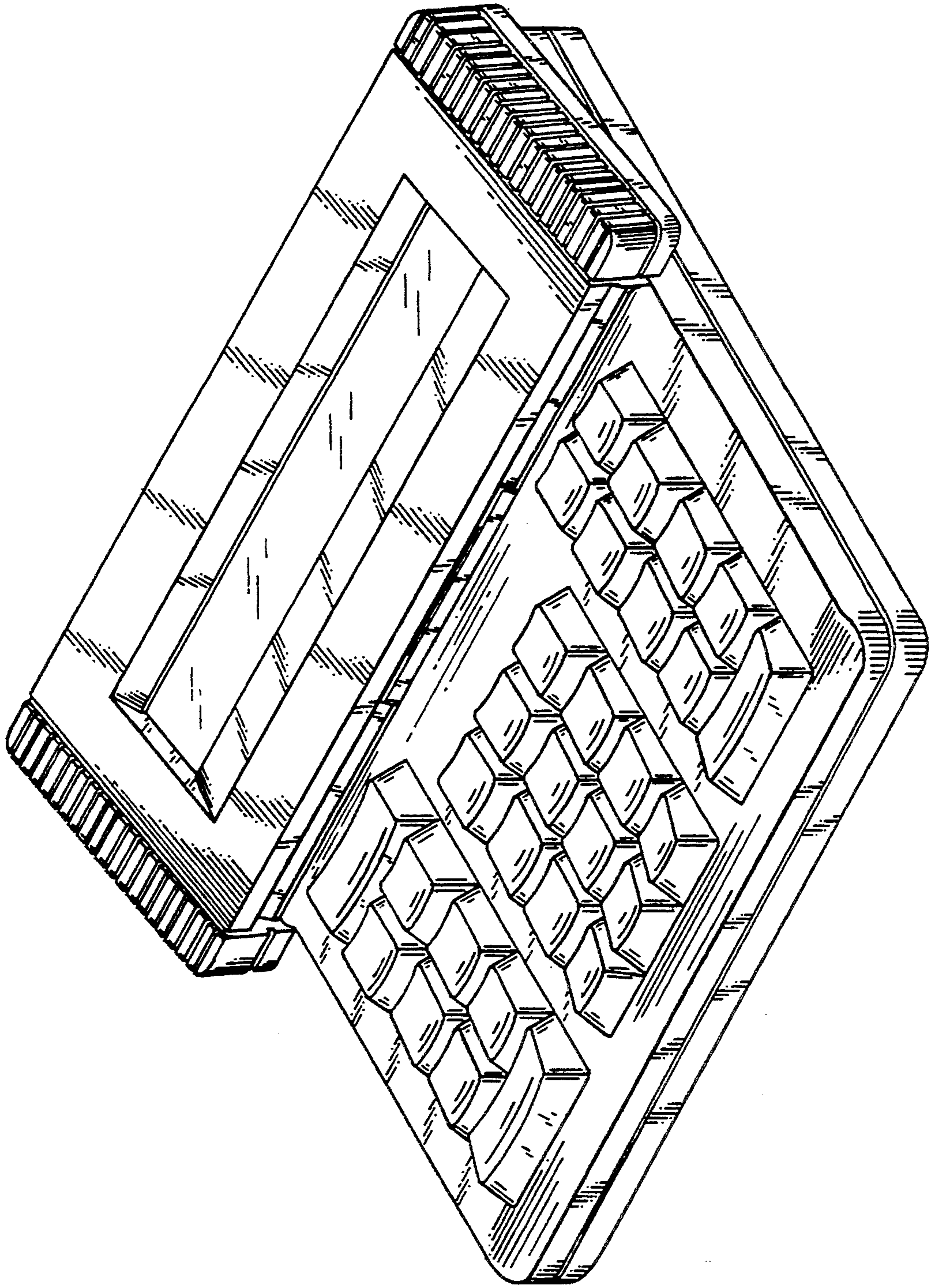


FIG. 2

FIG. 3

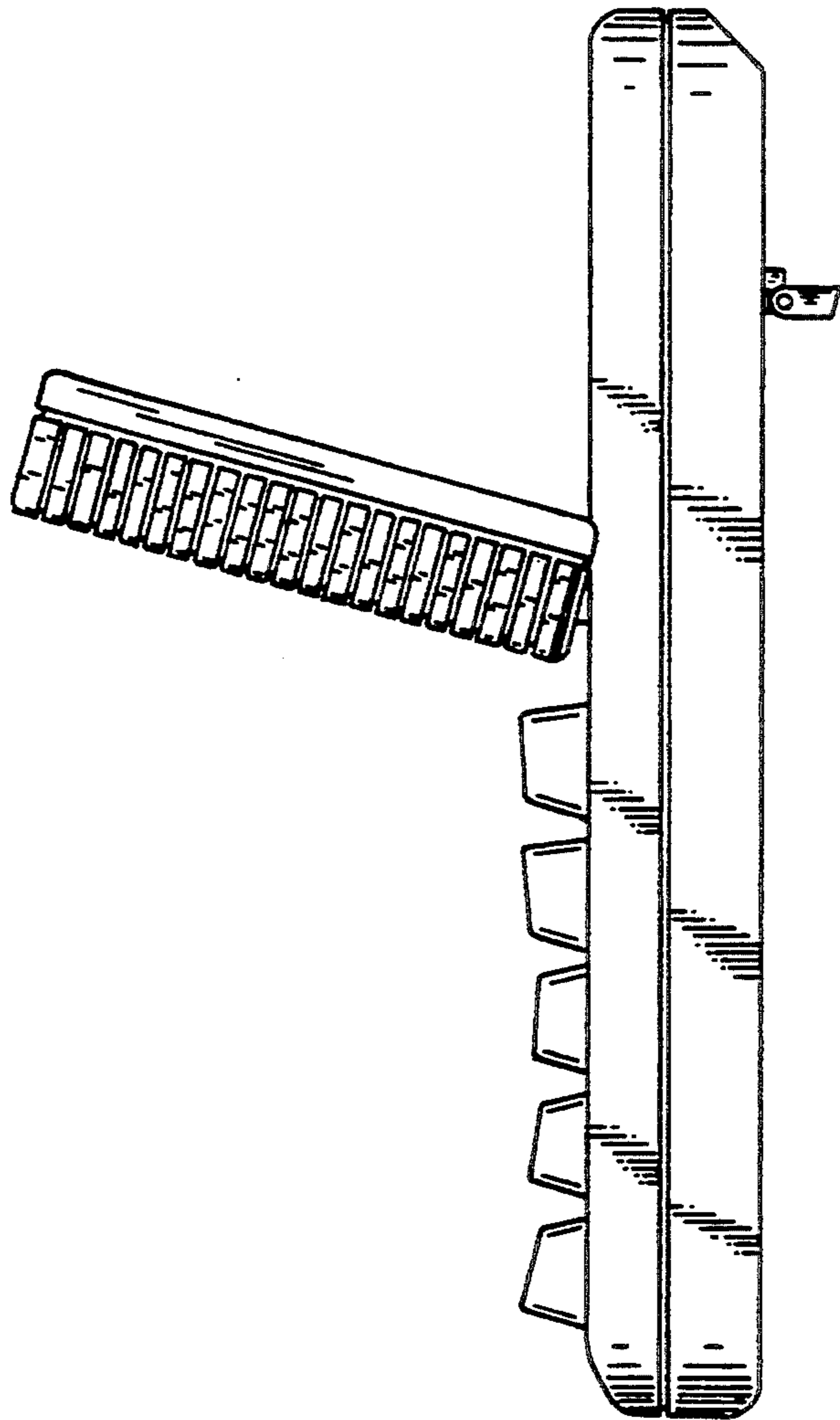
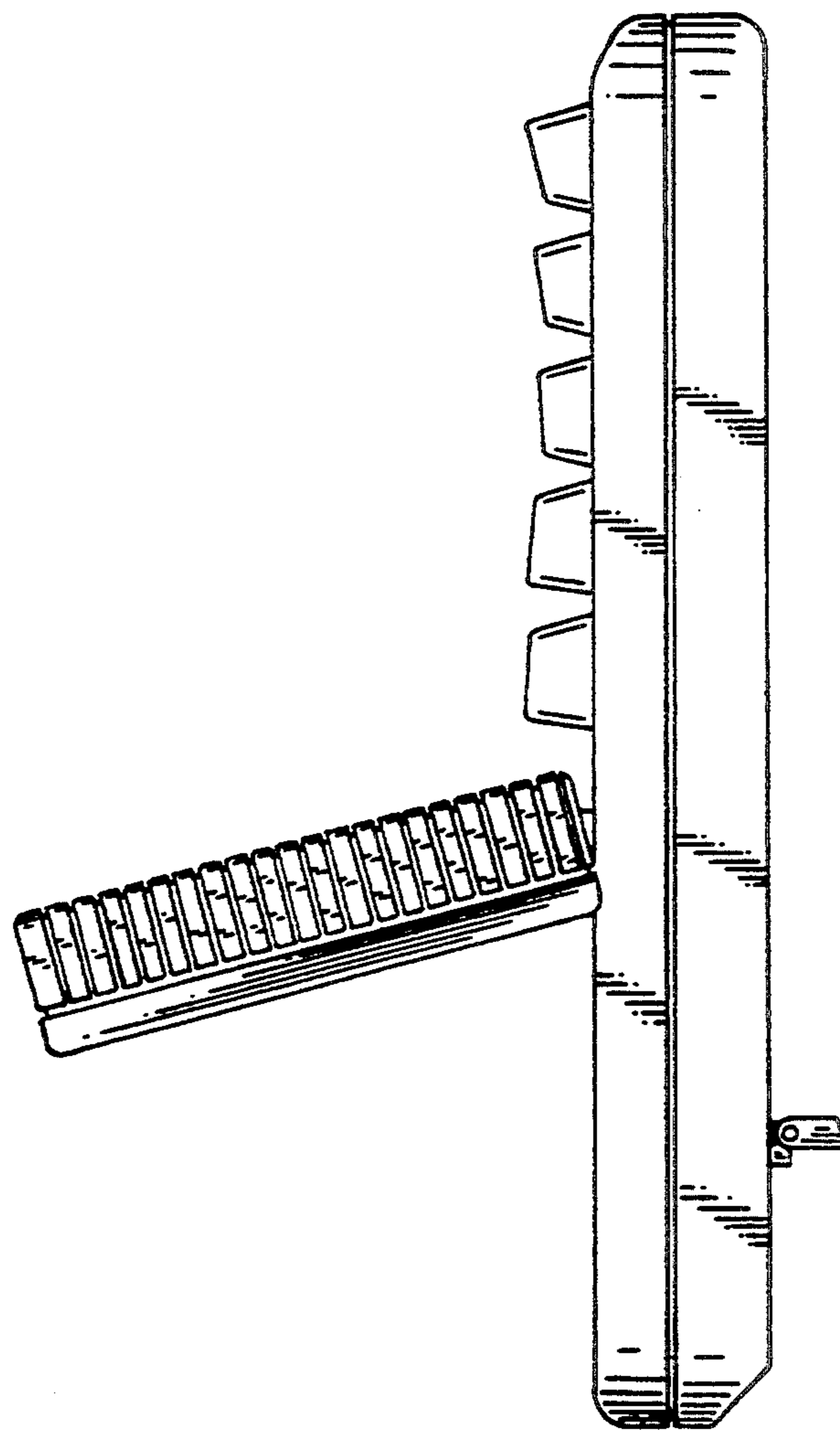


FIG. 4



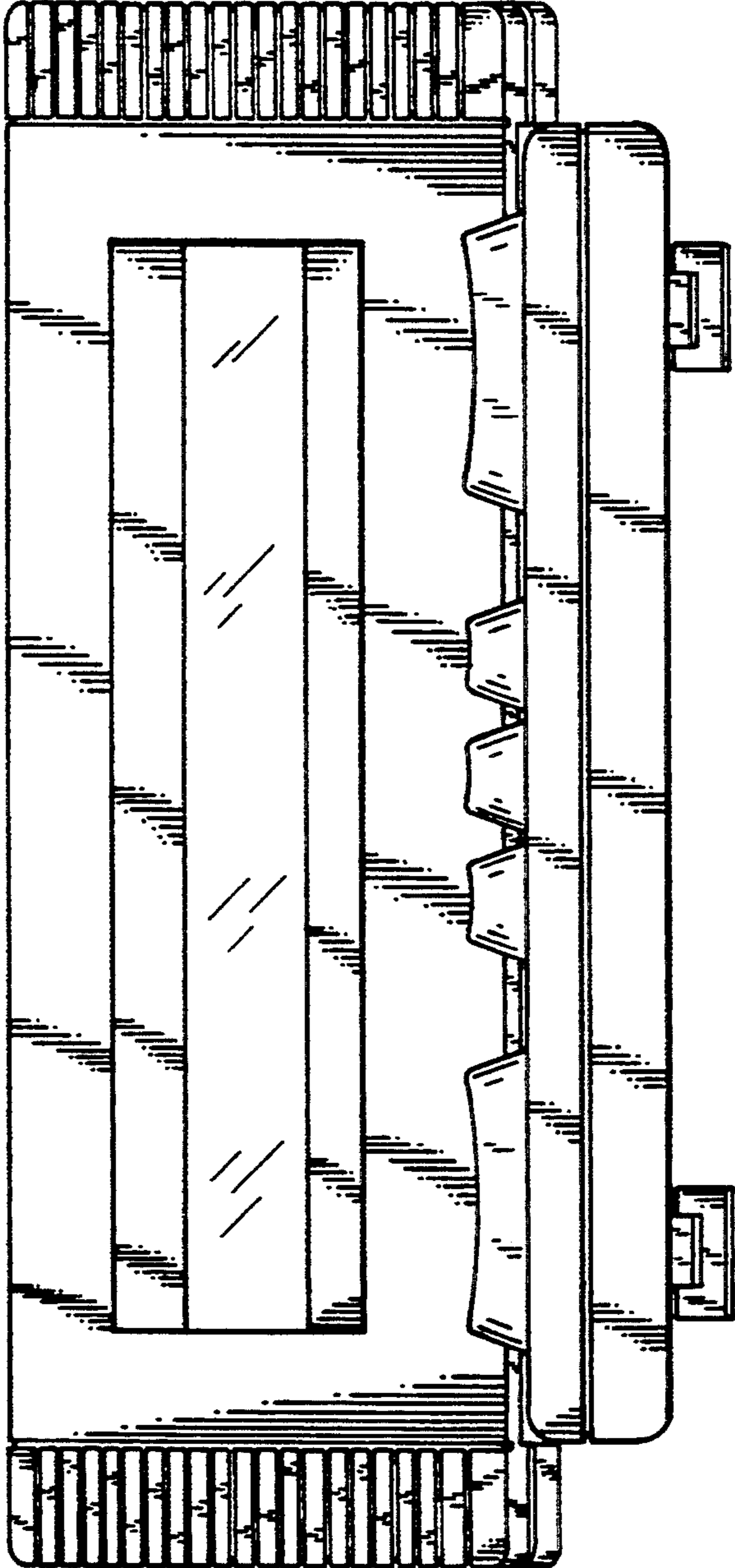
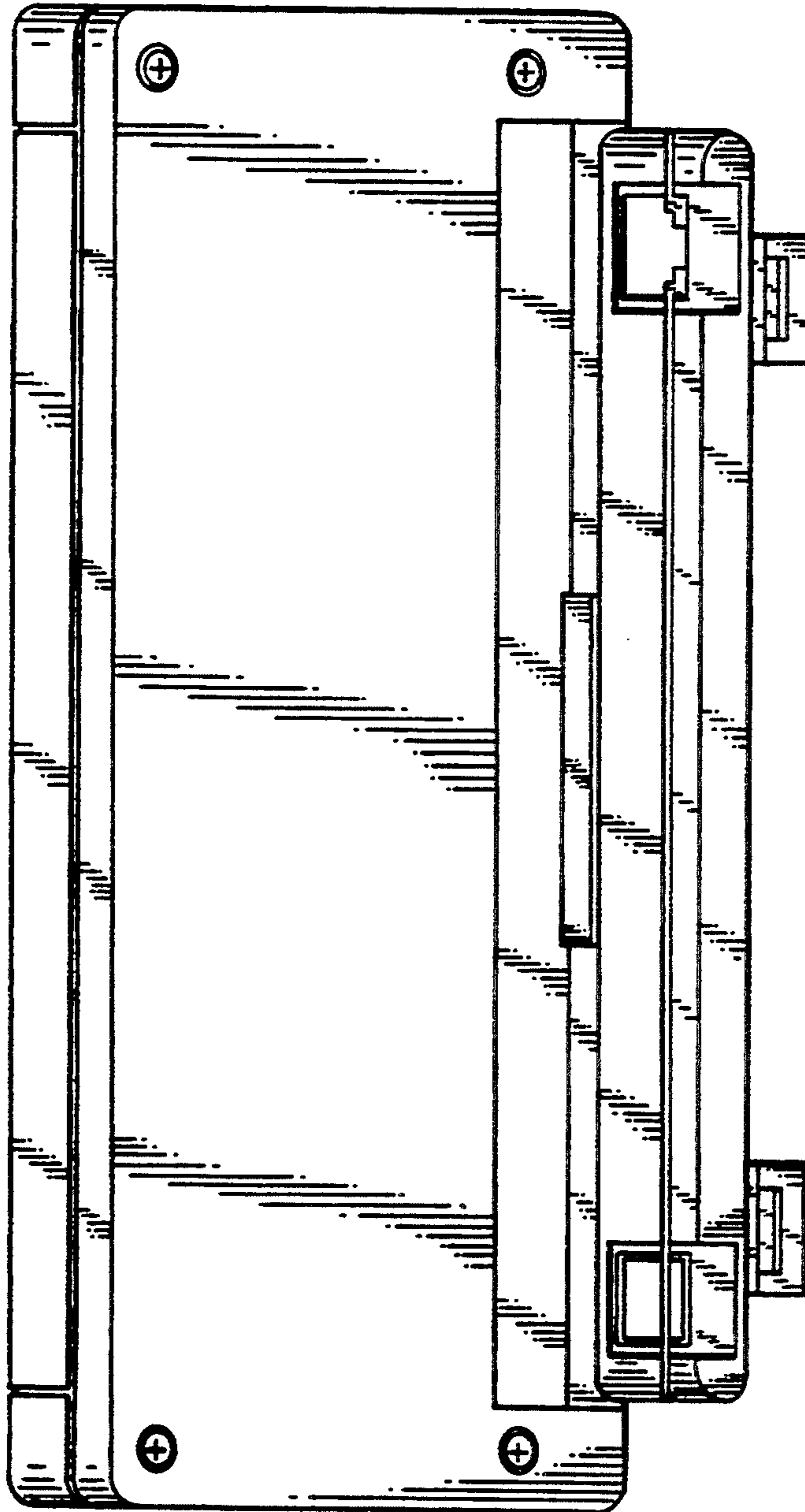


FIG. 5

FIG. 6



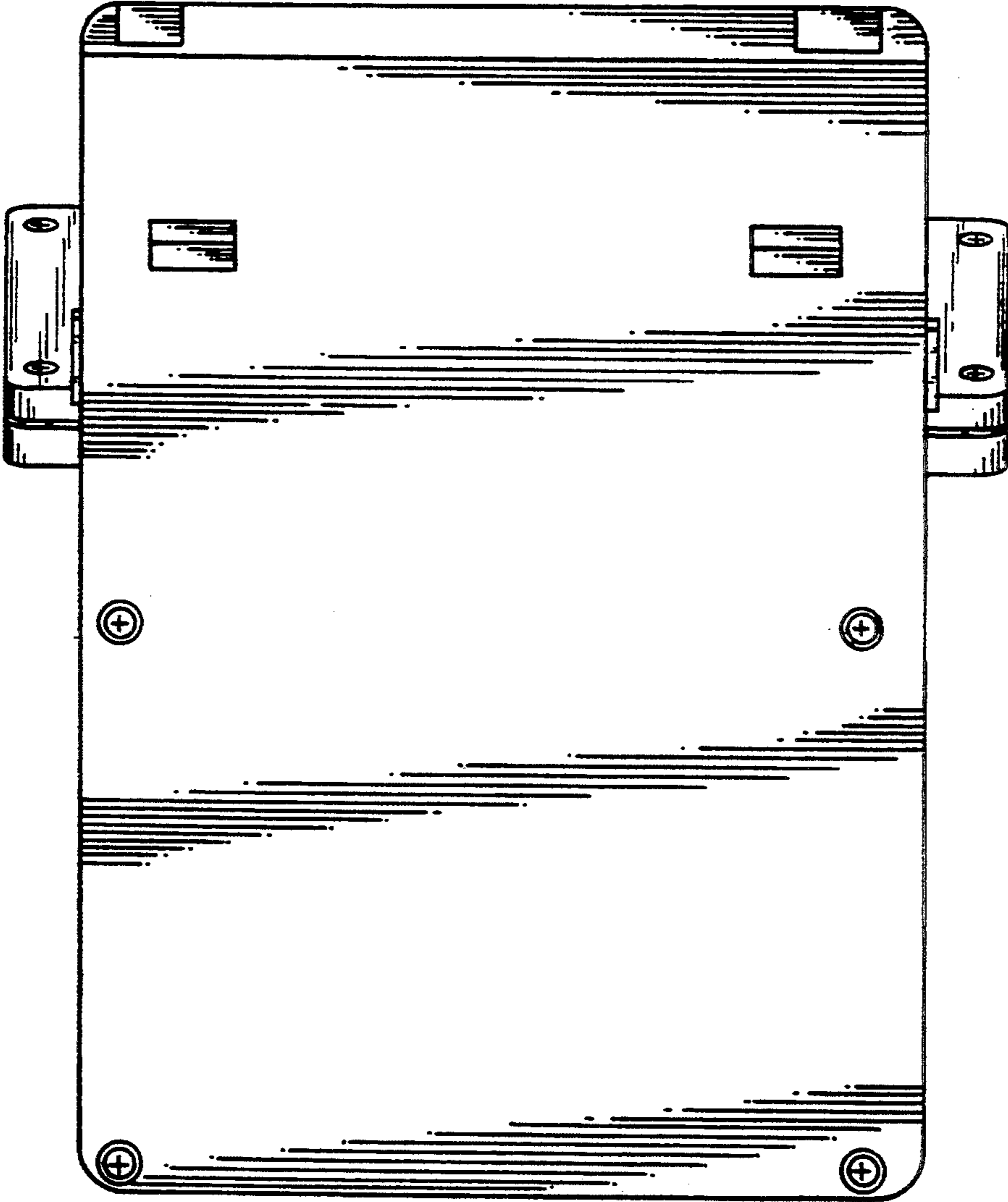


FIG. 7

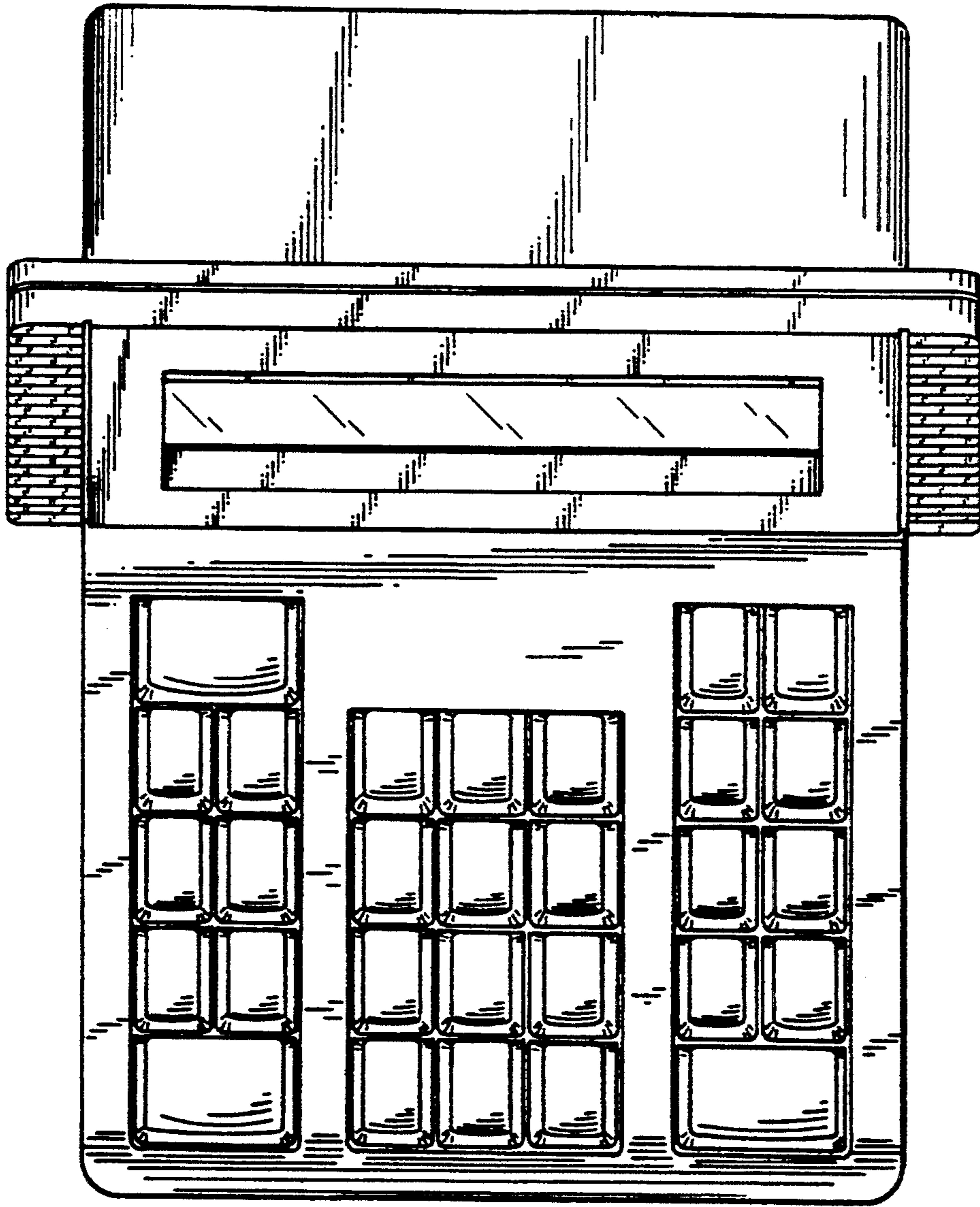


FIG. 8