



US00D358809S

# United States Patent [19]

[11] Patent Number: **Des. 358,809**

**Chae**

[45] Date of Patent: **\*\* May 30, 1995**

[54] **COMPUTER MONITOR**

D. 310,829 9/1990 Suyama et al. .... D14/100  
D. 335,493 5/1993 Soodong ..... D14/113

[75] Inventor: **Hee I. Chae**, Kyounggi-Do, Rep. of Korea

*Primary Examiner*—Freda S. Nunn  
*Attorney, Agent, or Firm*—Charles R. Donohoe; Robert A. Westerlund, Jr.; Stephen R. Whitt

[73] Assignee: **Samsung Electronics Co., Ltd.**, Suwon-City, Rep. of Korea

[57] **CLAIM**

[\*\*] Term: **14 Years**

The ornamental design for a computer monitor, as shown.

[21] Appl. No.: **10,730**

**DESCRIPTION**

[22] Filed: **Jul. 16, 1993**

[52] U.S. Cl. .... **D14/113**

[58] Field of Search ..... D14/100, 101, 106, 113, D14/124-127; 345/104, 133, 156, 168, 173, 87, 901-905; 358/249, 254, 255

FIG. 1 is a front elevational view of a computer monitor showing my new design;  
FIG. 2 is a rear elevational view thereof;  
FIG. 3 is a top plan view thereof;  
FIG. 4 is a bottom plan view thereof;  
FIG. 5 is a left side elevational view thereof;  
FIG. 6 is a right side elevational view thereof; and,  
FIG. 7 is a top front and right side perspective view thereof.

[56] **References Cited**

**U.S. PATENT DOCUMENTS**

D. 302,151 7/1989 Ji ..... D14/113

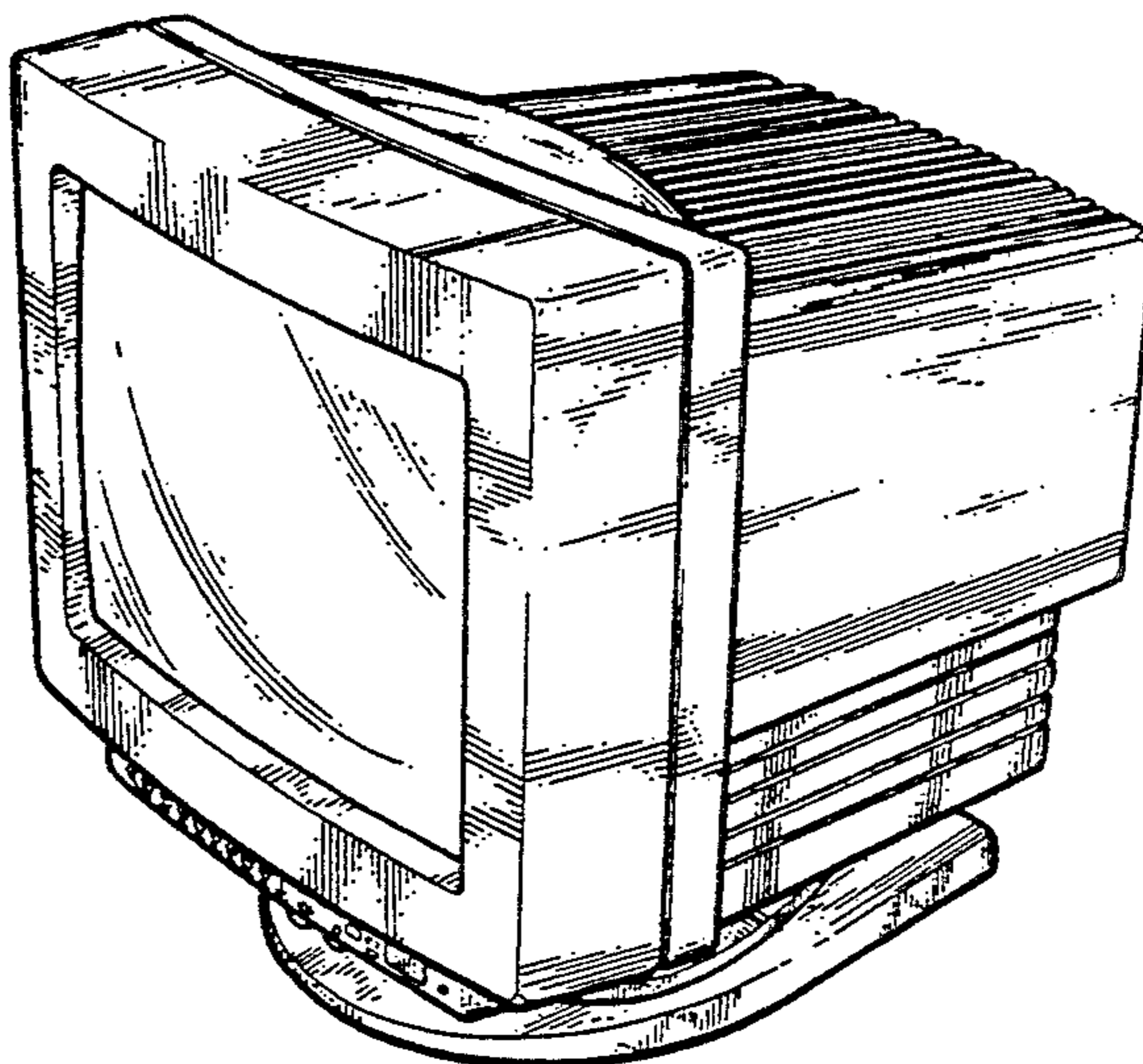
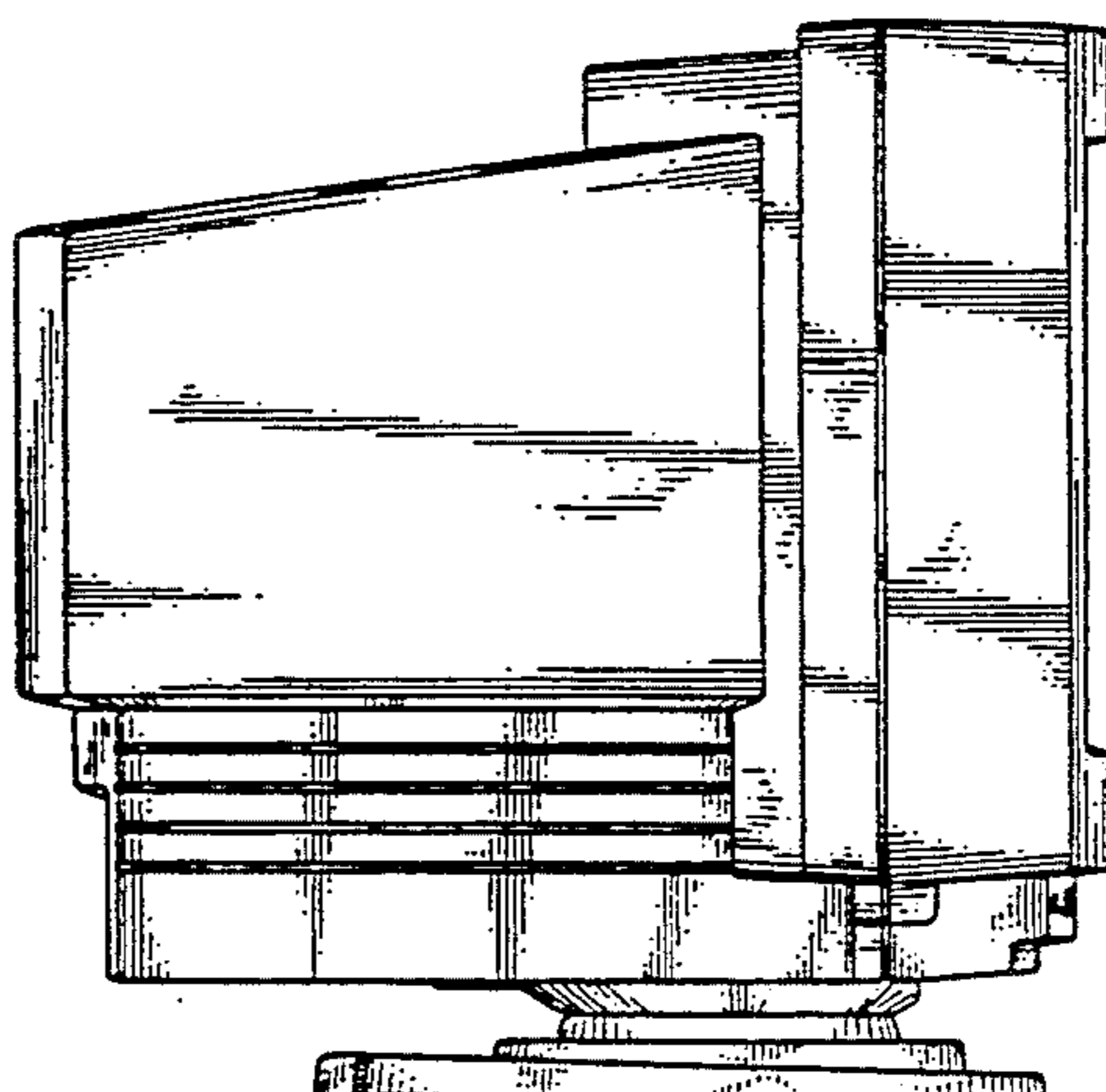


FIG. 1

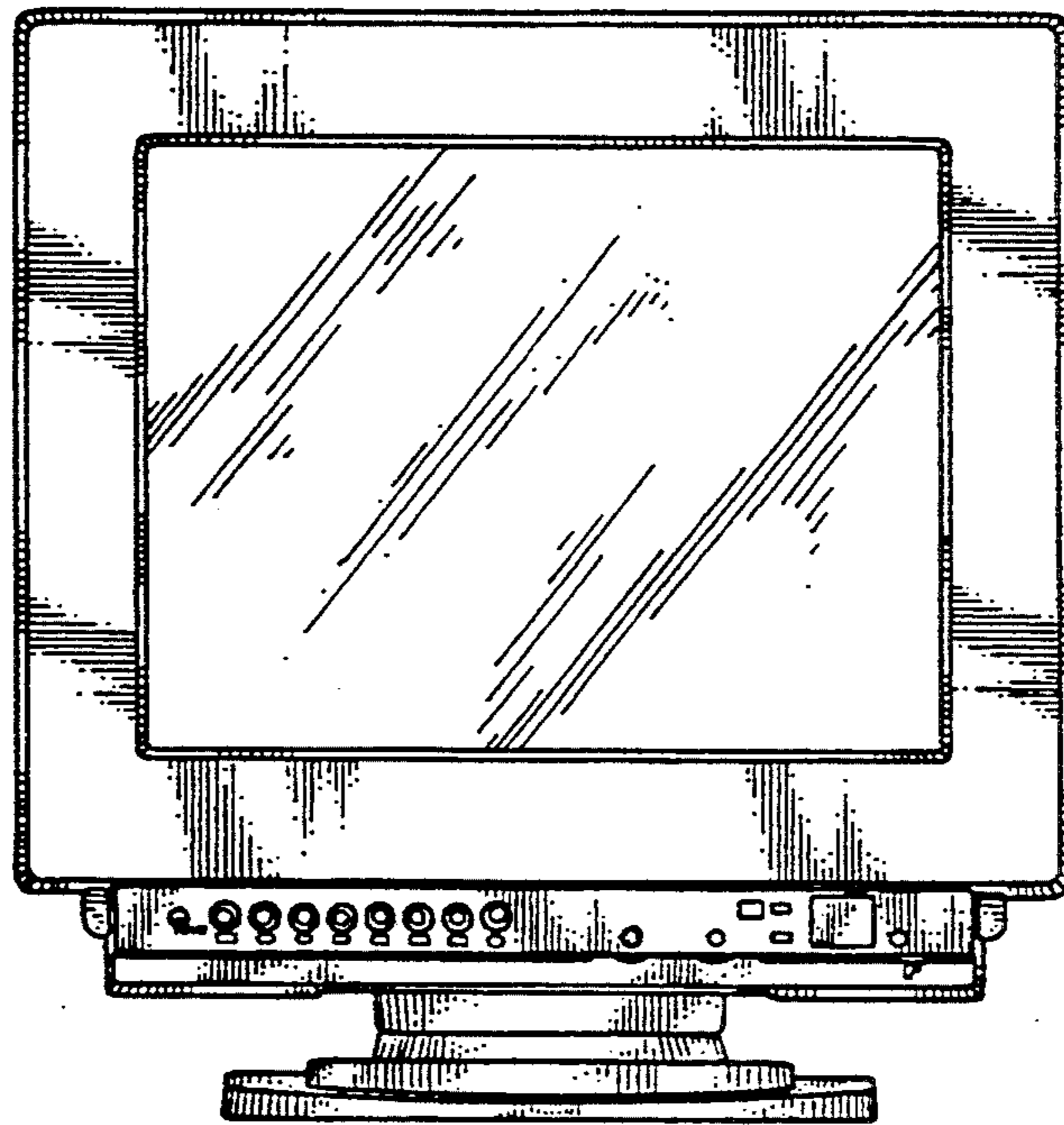


FIG. 2

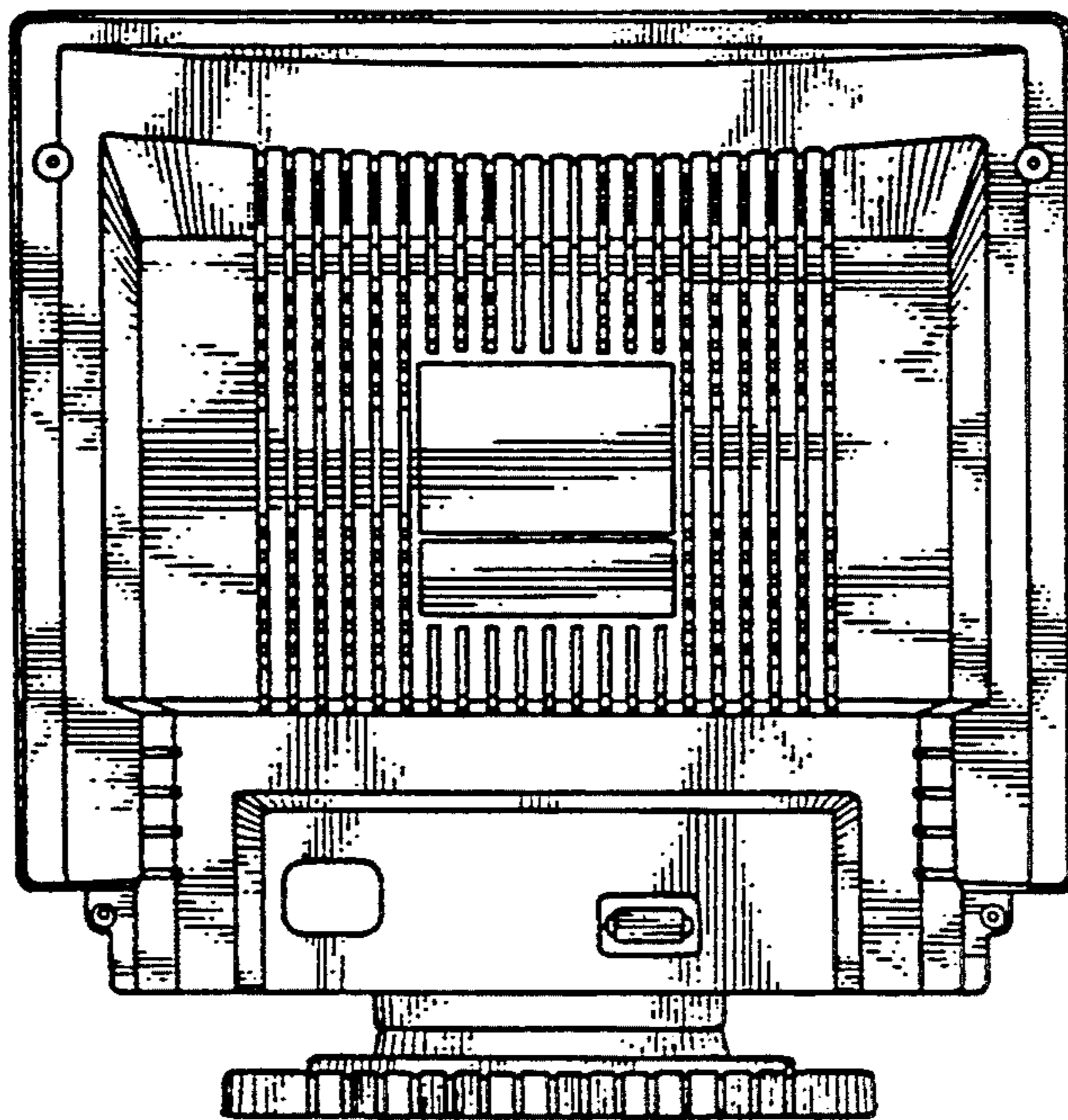


FIG. 3

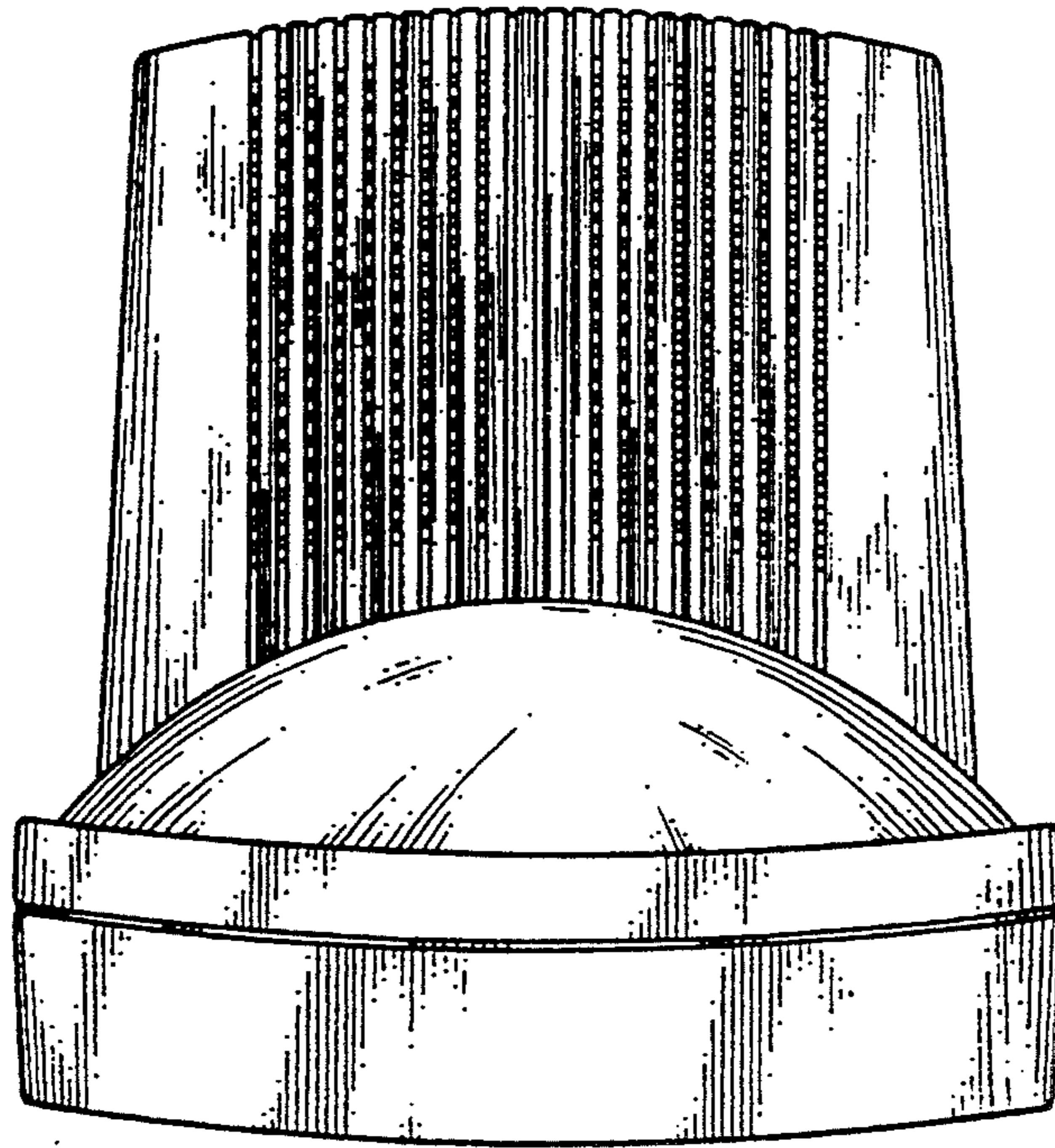


FIG. 4

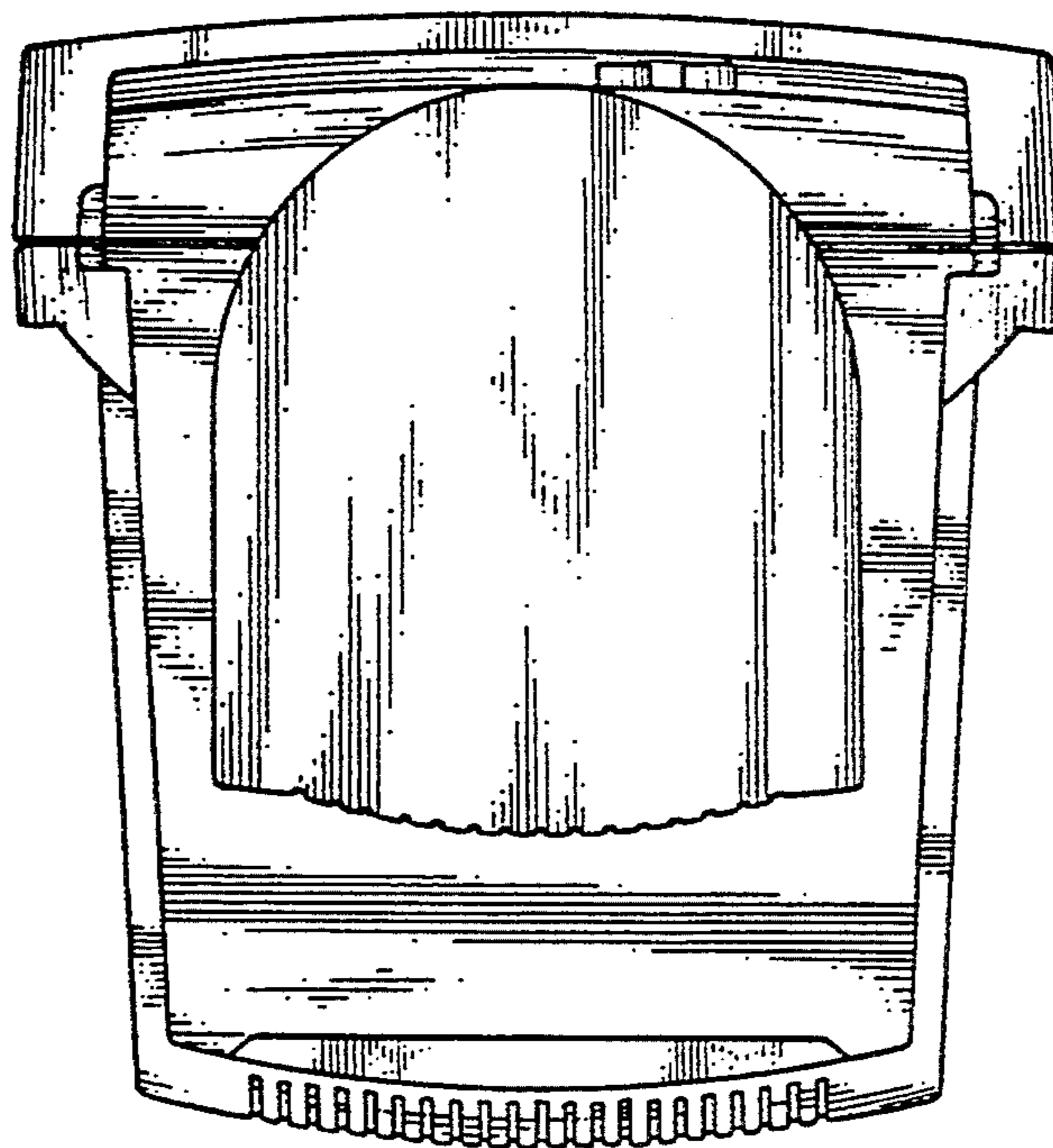


FIG. 5

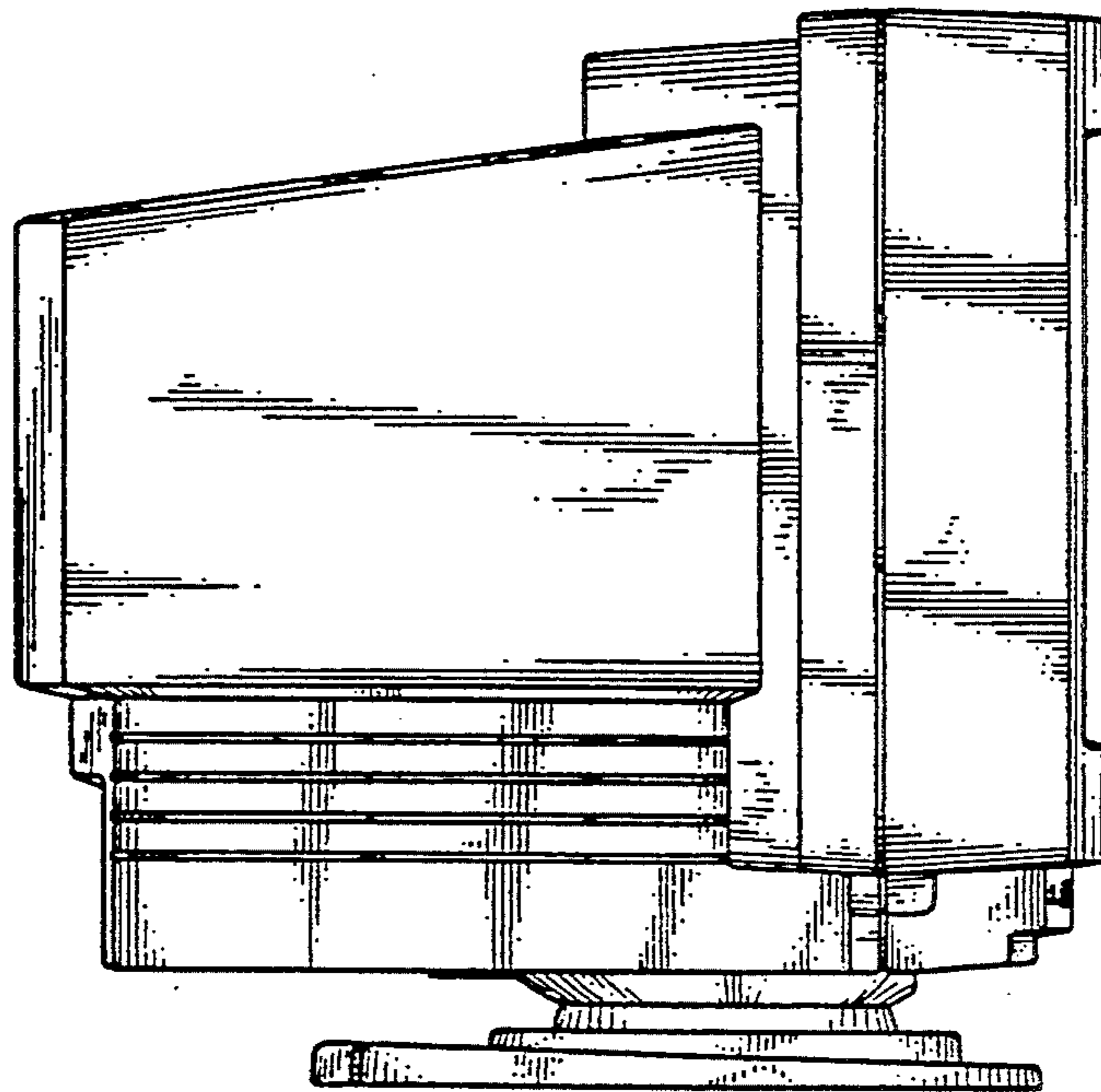


FIG. 6

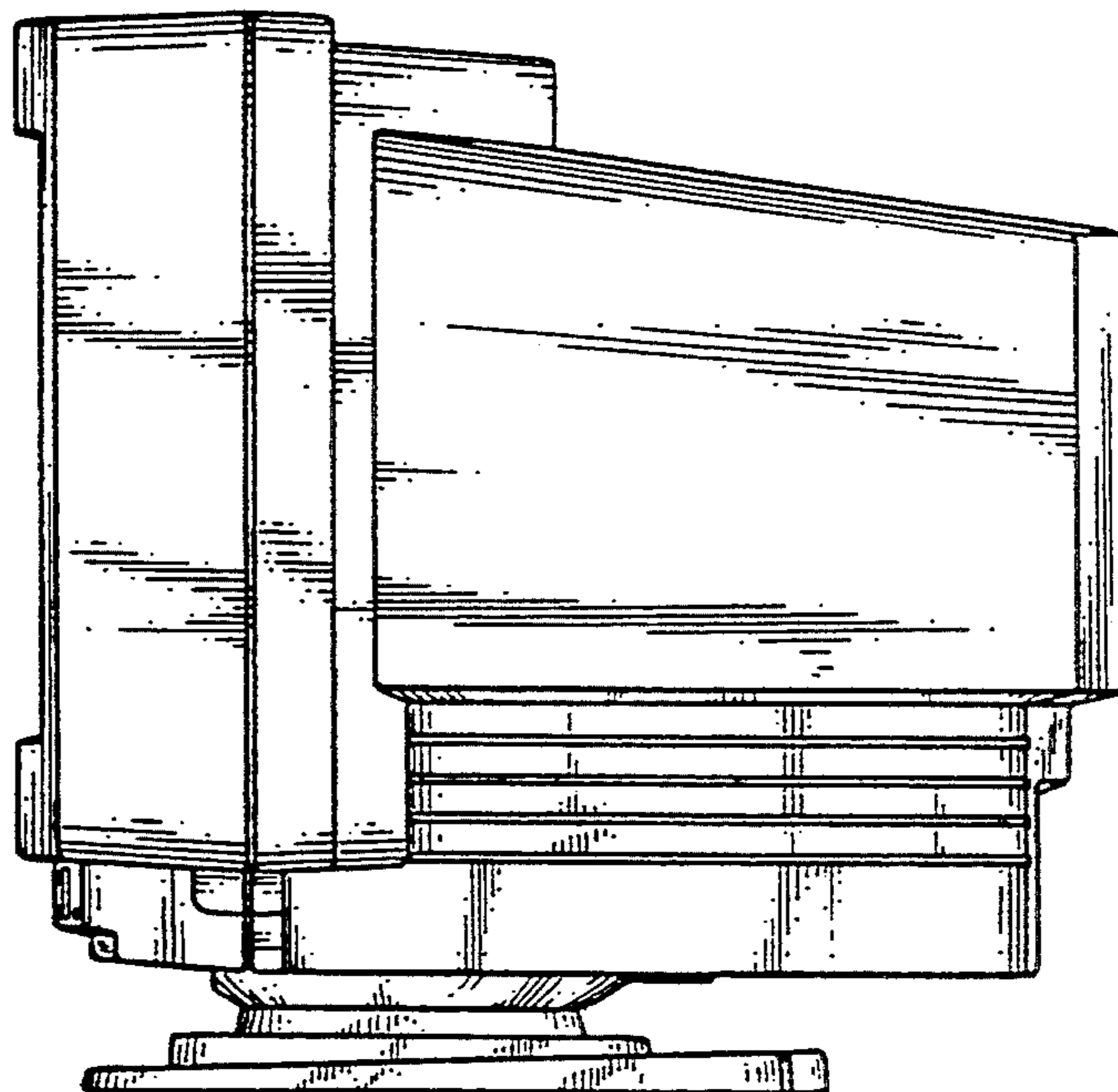


FIG. 7

