



US00D358805S

United States Patent [19]

[11] Patent Number: **Des. 358,805**

Siegel et al.

[45] Date of Patent: **** May 30, 1995**

[54] **DETACHABLE INTEGRATED CIRCUIT MODULE**

5,038,253	8/1991	Replinger et al.	361/825 X
5,130,881	7/1992	Hilland	174/52.4 X
5,131,535	7/1992	O'Connor et al.	174/52.4 X

[75] Inventors: **Harry M. Siegel, Hurst; Michael J. Hundt, Double Oak; Krishnan Kelappan, Carrollton, all of Tex.**

Primary Examiner—Joel Sincavage
Attorney, Agent, or Firm—Rodney M. Anderson; Lisa K. Jorgenson; Richard K. Robinson

[73] Assignee: **SGS-Thomson Microelectronics, Inc., Carrollton, Tex.**

[57] **CLAIM**

[**] Term: **14 Years**

The ornamental design for the detachable integrated circuit module, as shown and described.

[21] Appl. No.: **13,430**

DESCRIPTION

[22] Filed: **Sep. 24, 1993**

[52] U.S. Cl. **D13/182**

[58] Field of Search **D13/182; 361/728, 747, 361/752, 783, 807, 809, 820, 825; 174/52.1, 52.4, 260**

FIG. 1 is a perspective view of the detachable integrated circuit module illustrating its cooperative relationship with a packaged integrated circuit, the broken line showing of the packaged integrated circuit is included for the purpose of illustrating an environmental element only, and forms no part of the claimed design; FIGS. 2 and 3 are opposing side elevation views of the detachable module;

[56] **References Cited**

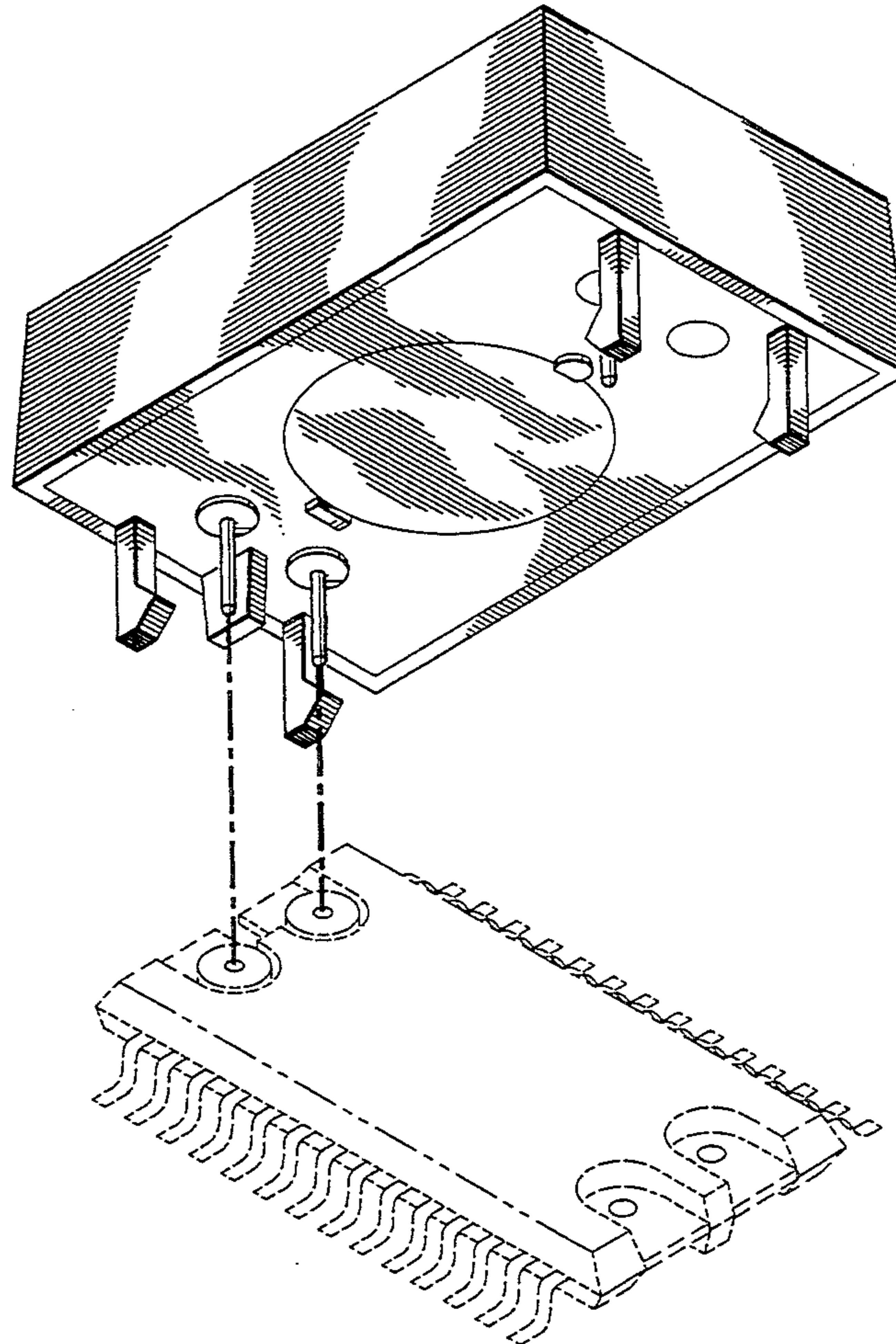
U.S. PATENT DOCUMENTS

3,501,582	3/1970	Heidler et al.	361/752 X
3,650,232	3/1972	Heinlen	174/52.4 X
4,107,555	8/1978	Haas et al.	174/52.1 X
4,149,028	4/1979	Gressitt	174/52.1 X
4,920,444	4/1990	Friman	174/52.4 X
4,935,581	6/1990	Komathu	174/52.4

FIG. 4 is an end elevation view of the detachable module from its end nearer the lockout key;

FIG. 5 is an end elevation view of the detachable module from its end opposite that from the lockout key;

FIG. 6 is a top plan view of the detachable module; and, FIG. 7 is a bottom plan view of the detachable module.



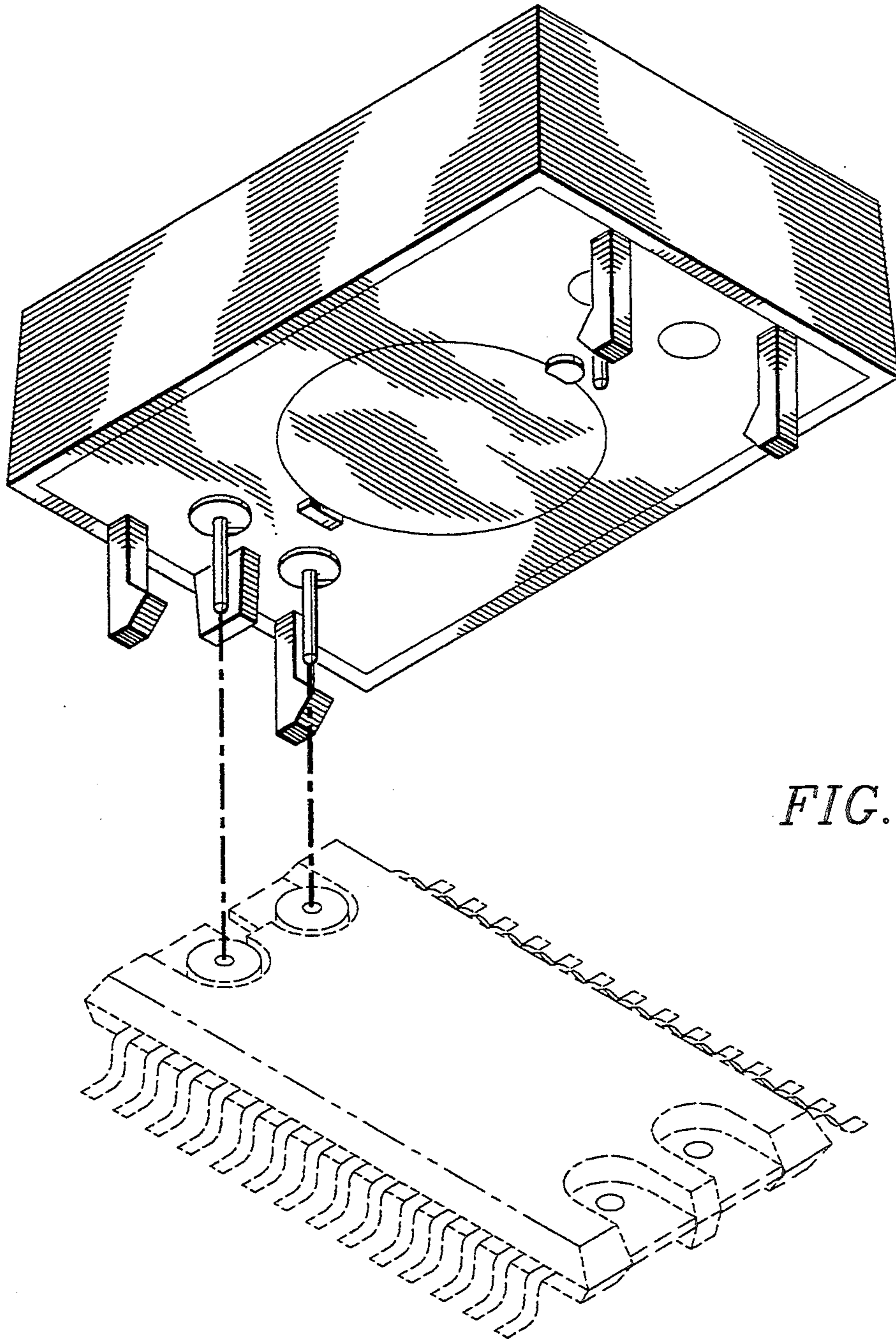


FIG. 1

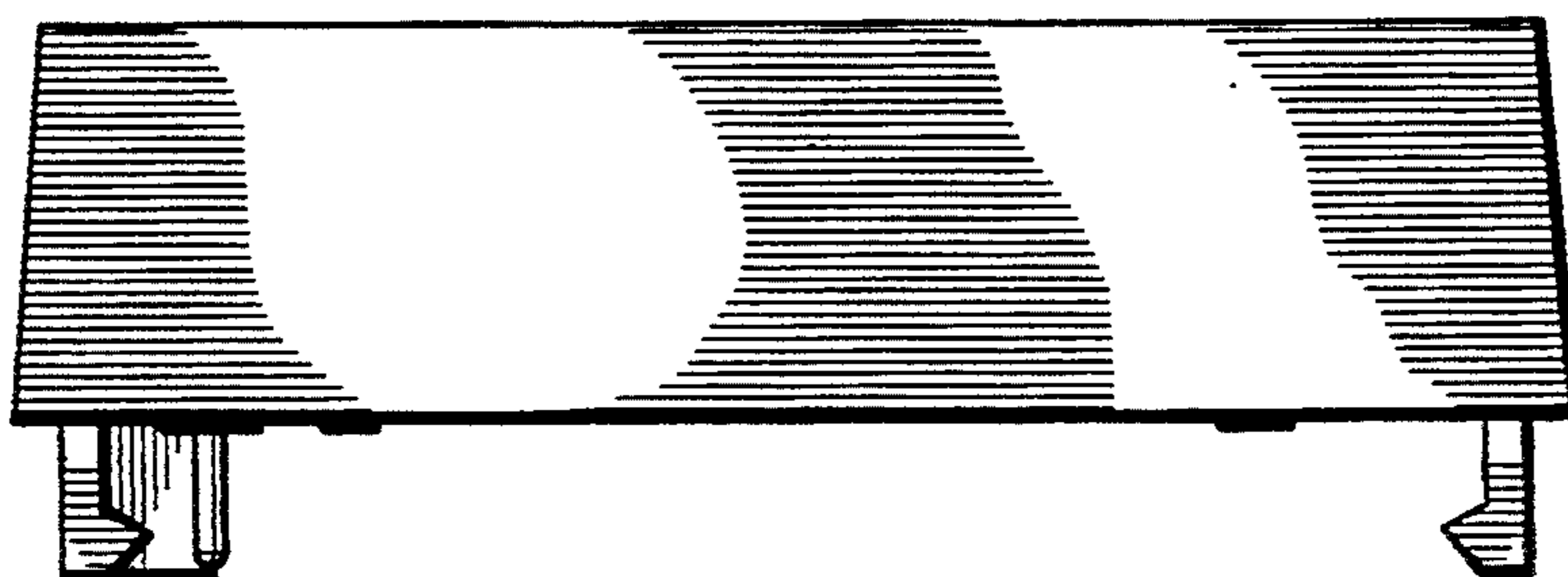


FIG. 2

FIG. 3

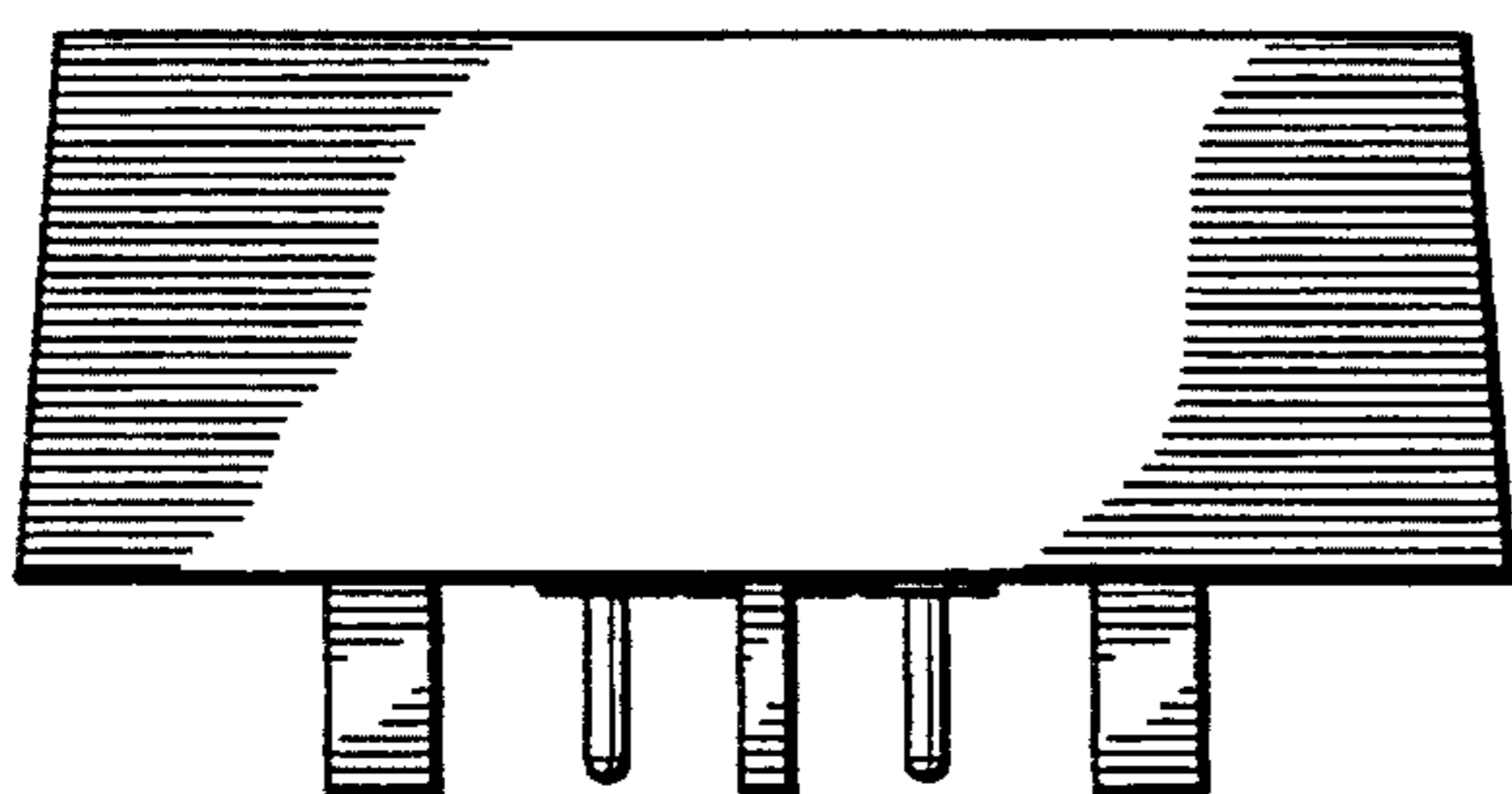


FIG. 4

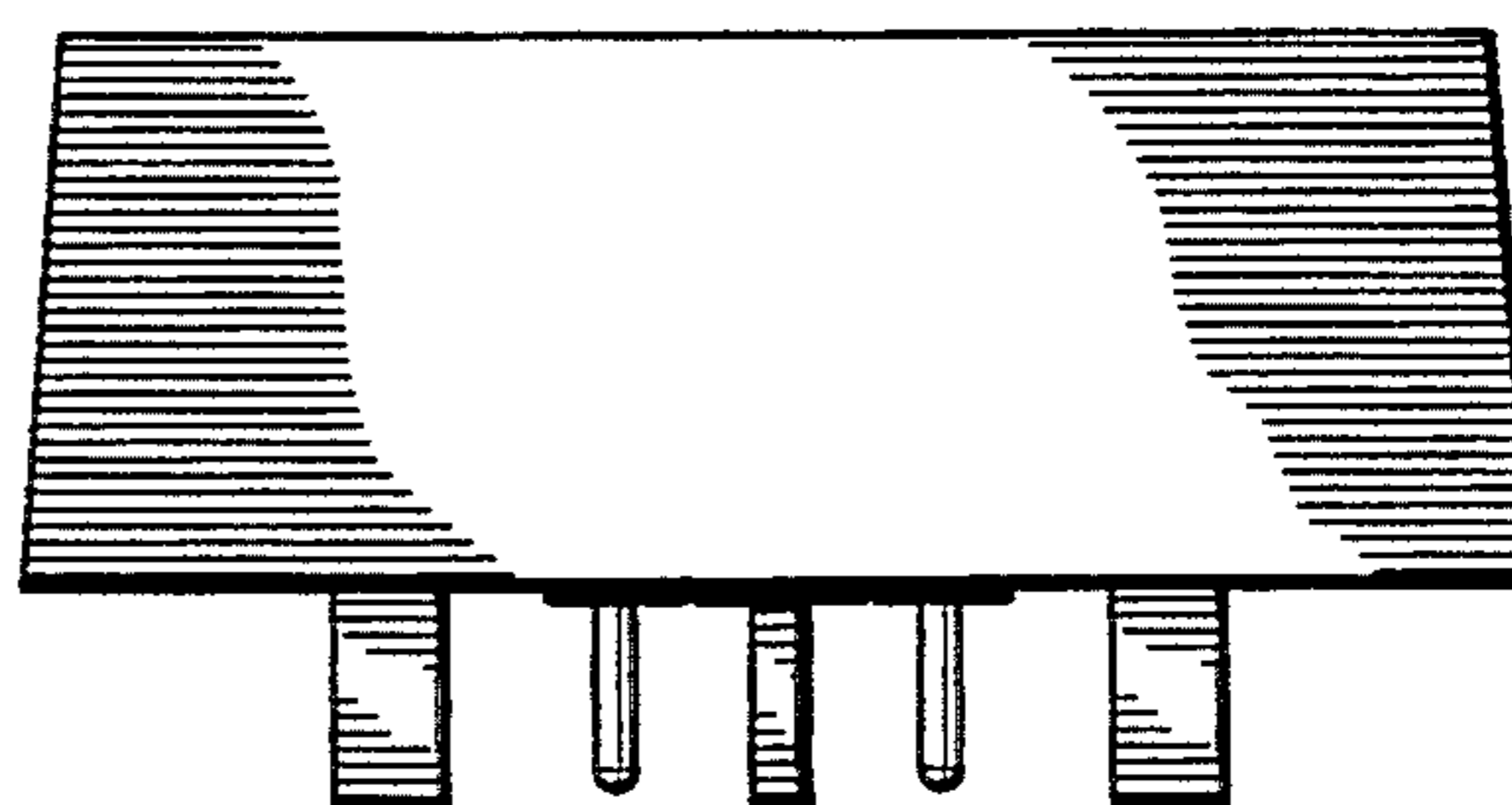


FIG. 5

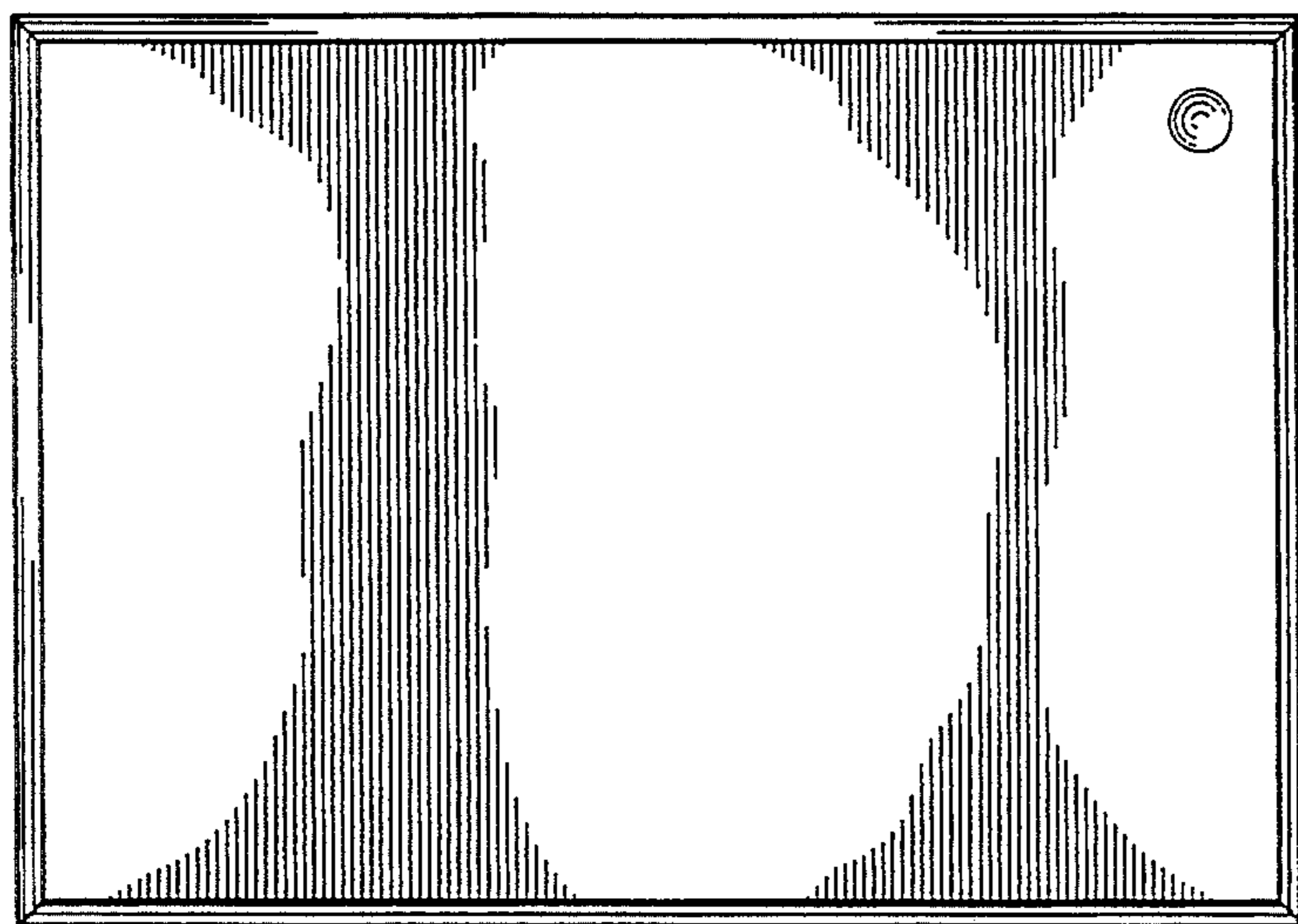


FIG. 6

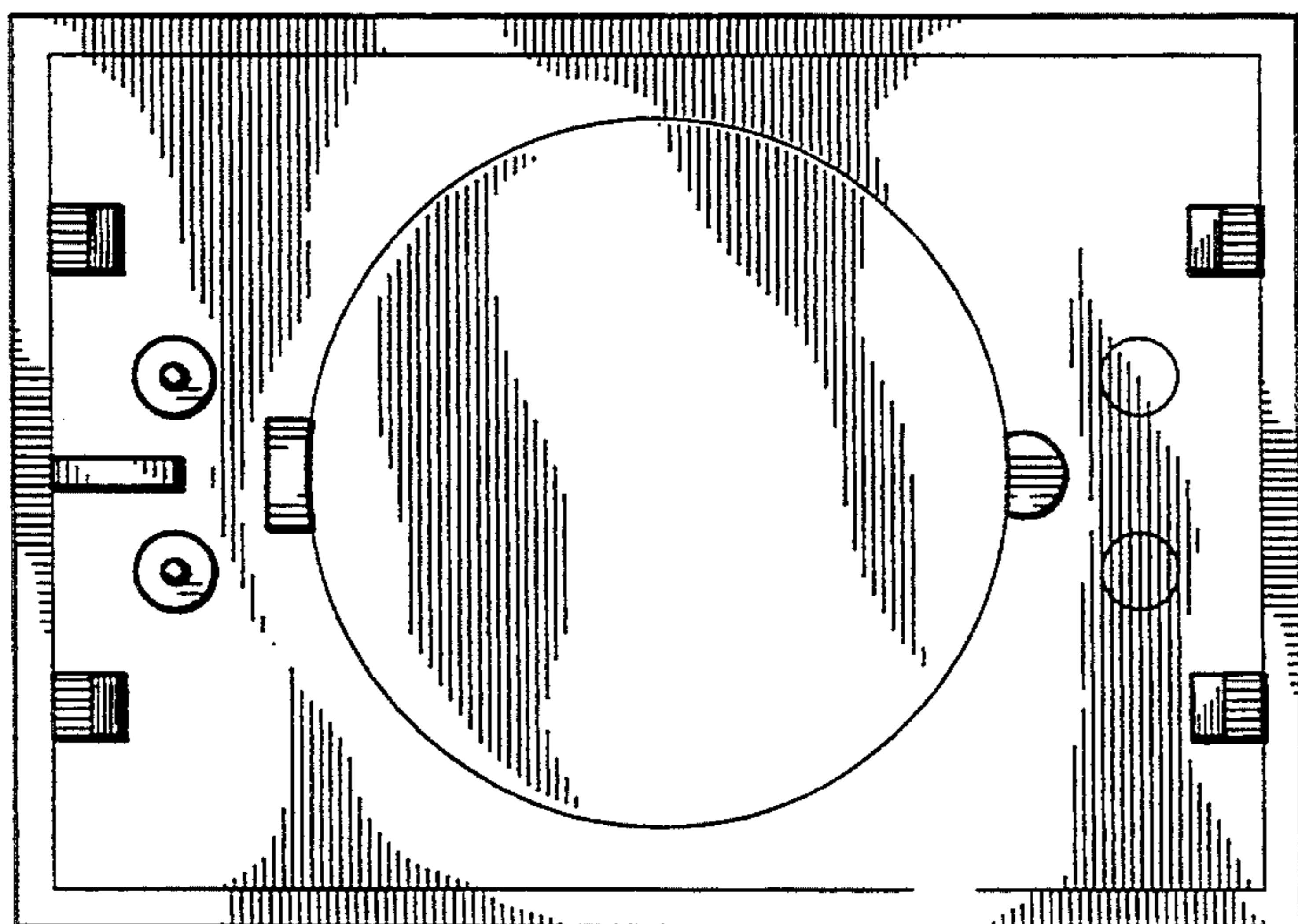


FIG. 7