



US00D358800S

United States Patent [19]

[11] Patent Number: **Des. 358,800**

Kuhnen

[45] Date of Patent: **** May 30, 1995**

[54] **DRIVER CONTROLLED MOVABLE ORNAMENT FOR DISPLAY IN THE REAR WINDOW OF A VEHICLE**

[76] Inventor: **Gregg S. Kuhnen**, 1108 Mallory Ct., Naperville, Ill. 60540

[**] Term: **14 Years**

[21] Appl. No.: **4,104**

[22] Filed: **Jan. 27, 1993**

[52] U.S. Cl. **D12/400**

[58] Field of Search D12/199; D21/160, 152; 428/31; 446/330, 359, 376; 40/593

[56] **References Cited**

U.S. PATENT DOCUMENTS

D. 161,529	1/1951	Pope, Sr.	D12/199
278,461	5/1883	Screven	446/376
1,322,364	11/1919	Sieveking	D12/199
1,652,775	12/1927	Funk et al.	428/31

Primary Examiner—James M. Gandy

[57] **CLAIM**

The ornamental design for a driver controlled movable ornament for display in the rear window of a vehicle, as shown and described.

DESCRIPTION

FIG. 1 is a front elevational view of the driver controlled movable ornament for display in the rear window of a vehicle showing my new design;

FIG. 2 is a rear elevational view thereof;

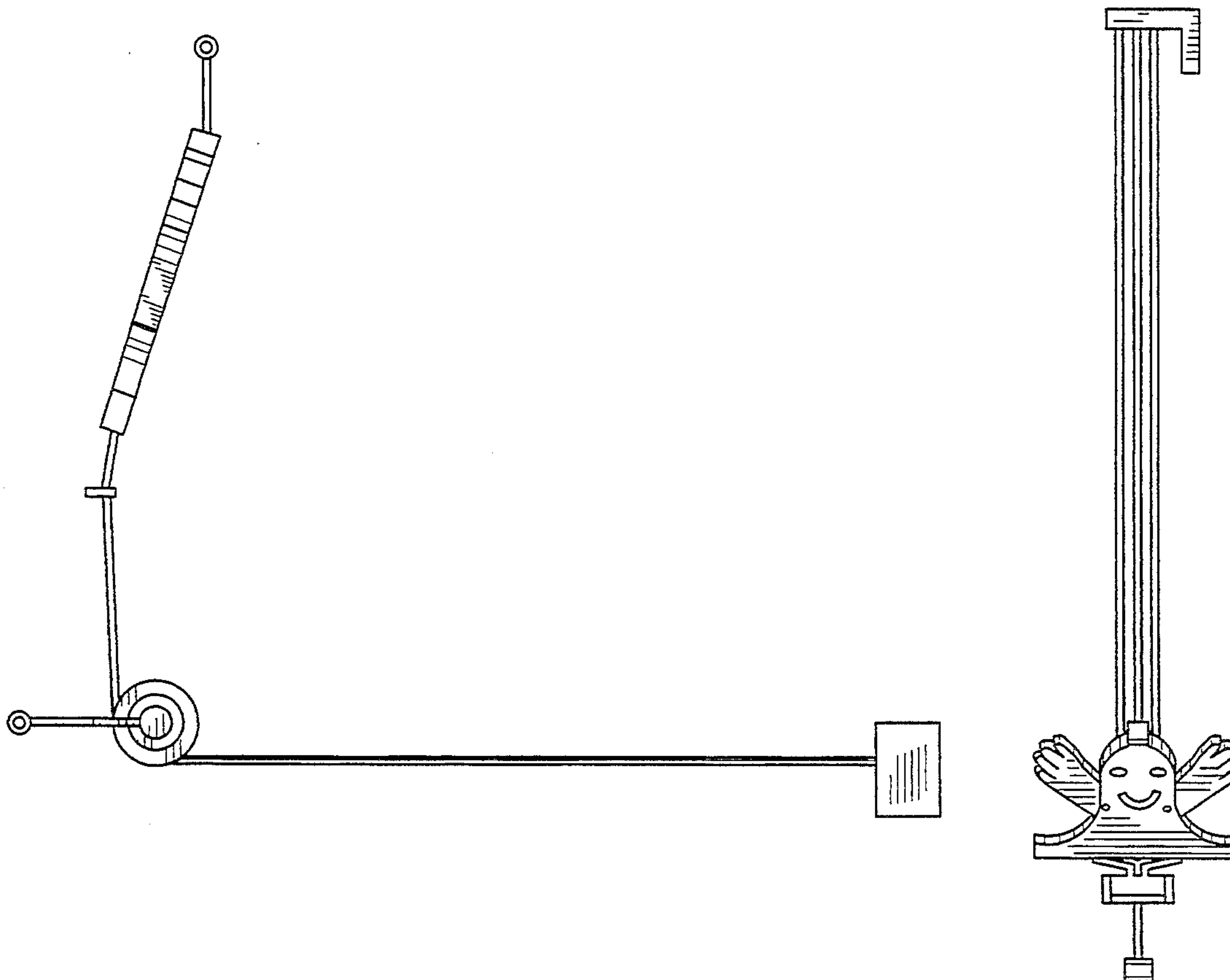
FIG. 3 is a reduced left side elevational view showing a use thereof;

FIG. 4 is a right side elevational view thereof;

FIG. 5 is a top plan view thereof; and,

FIG. 6 is a bottom plan view thereof.

The broken line showing of a vehicle in FIG. 3 of the drawing is for illustrative purposes only and forms no part of the claimed design.



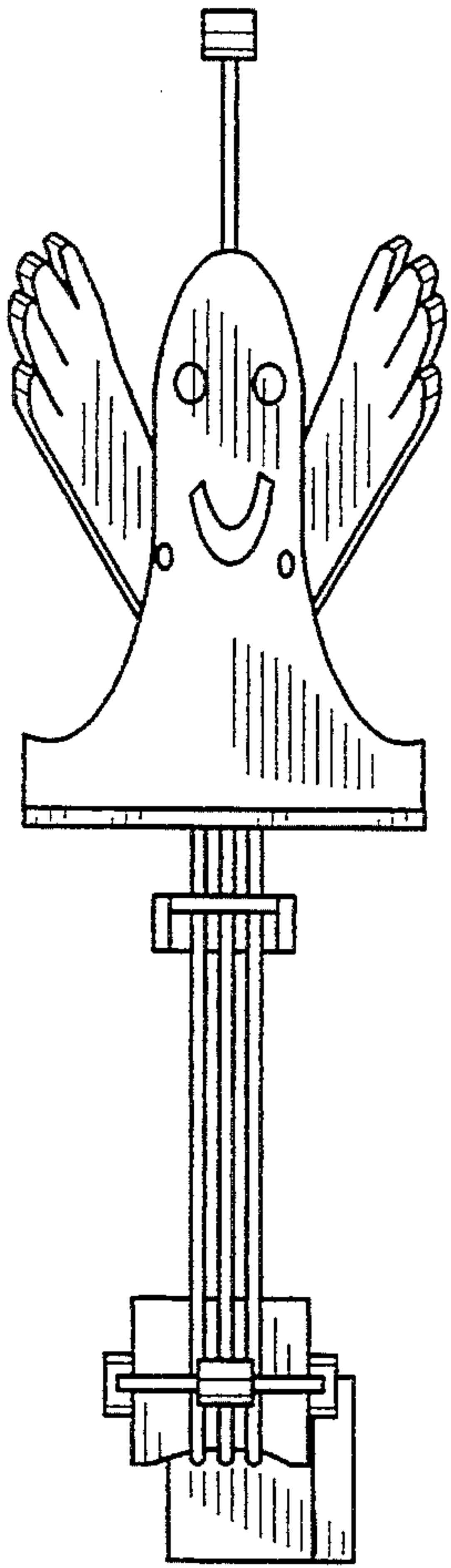


FIG. 1

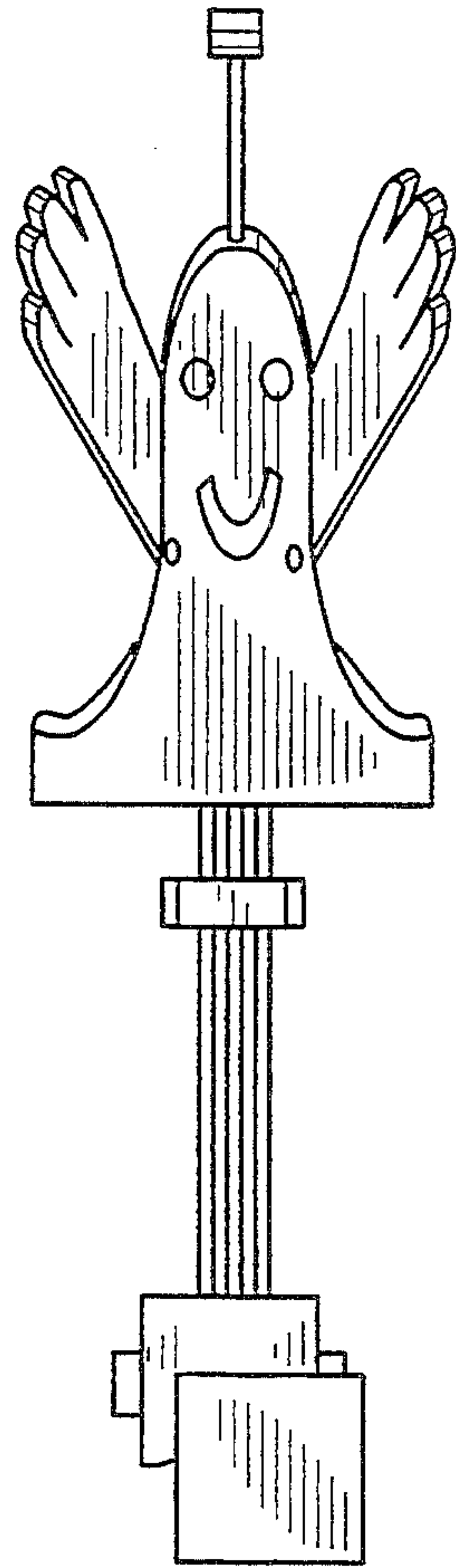


FIG. 2

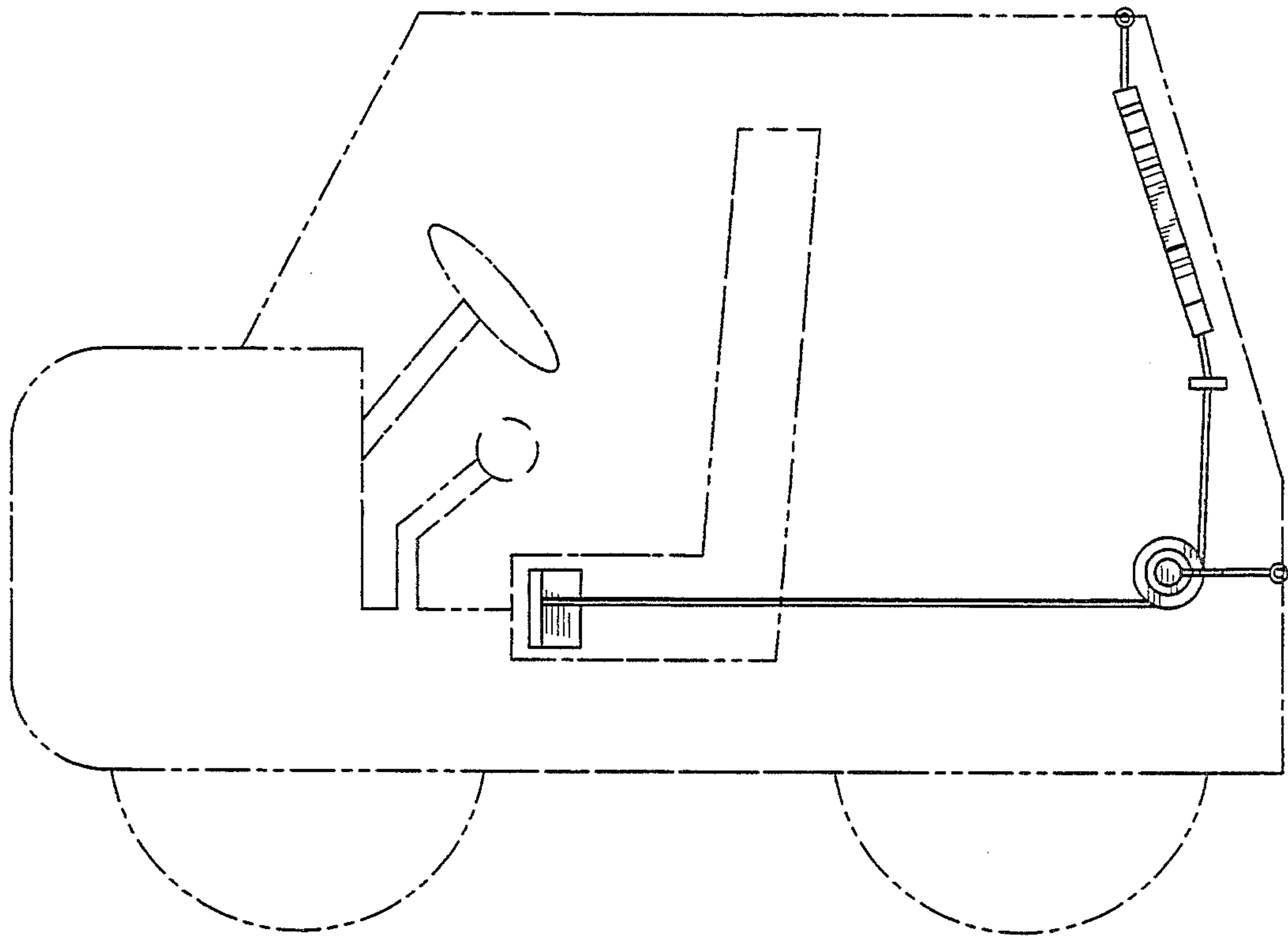


FIG. 3

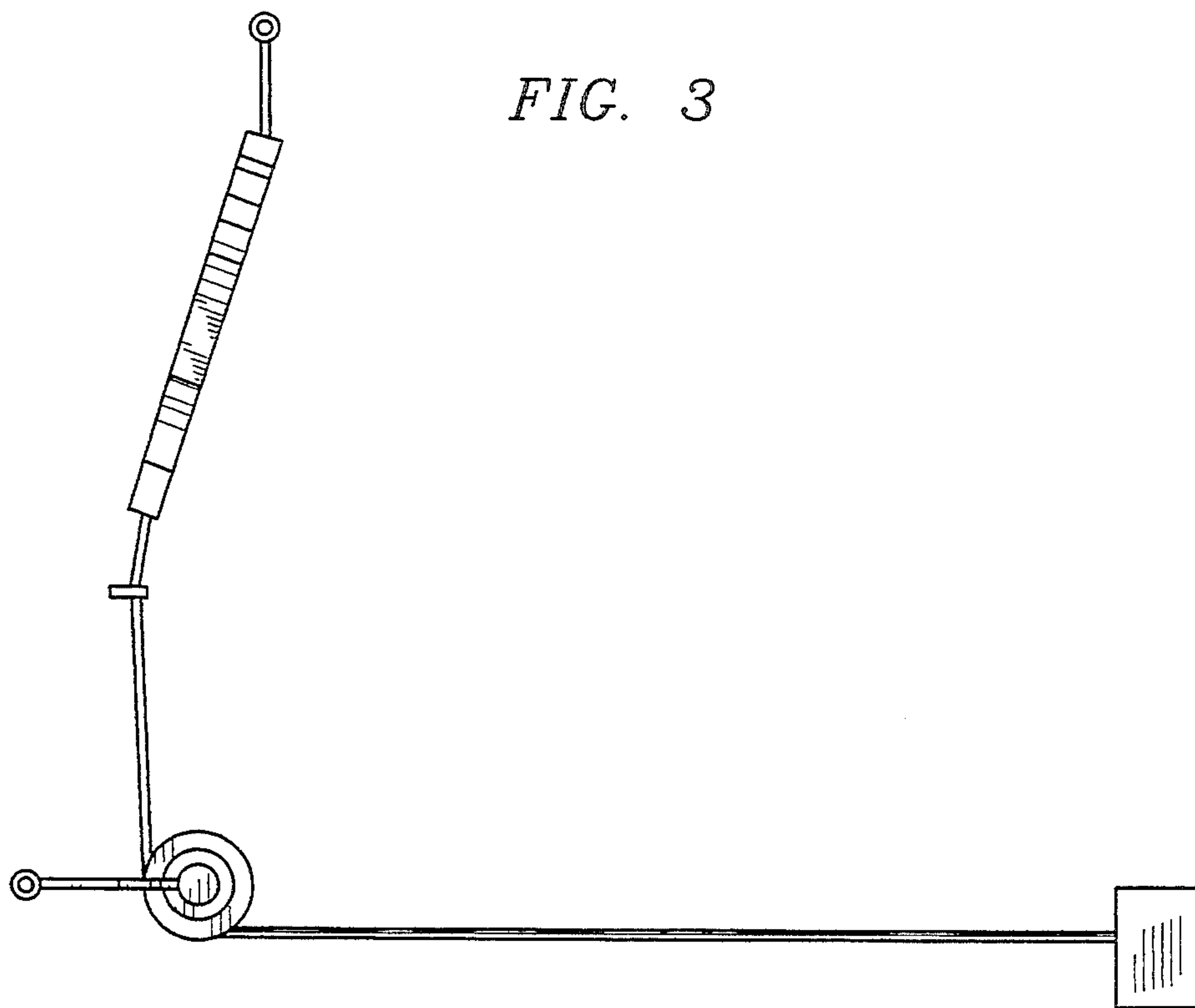


FIG. 4

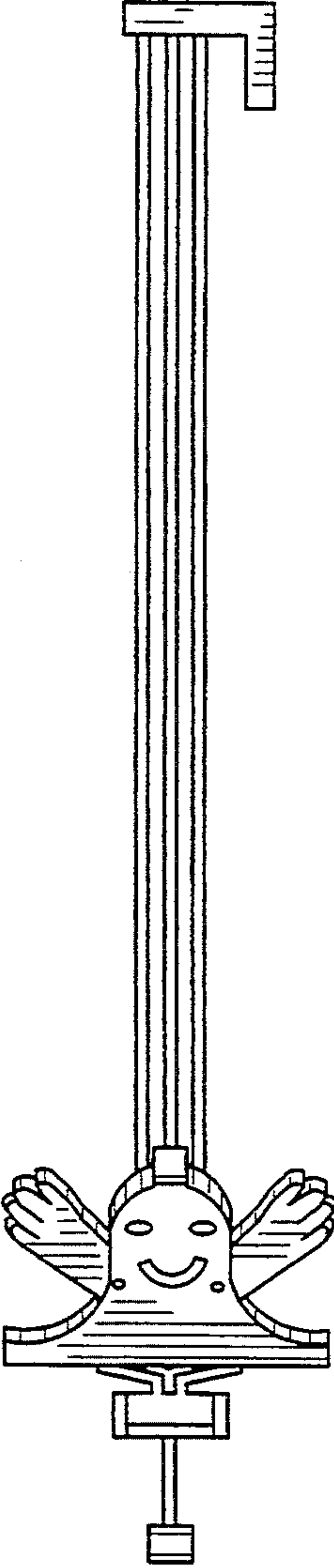


FIG. 5

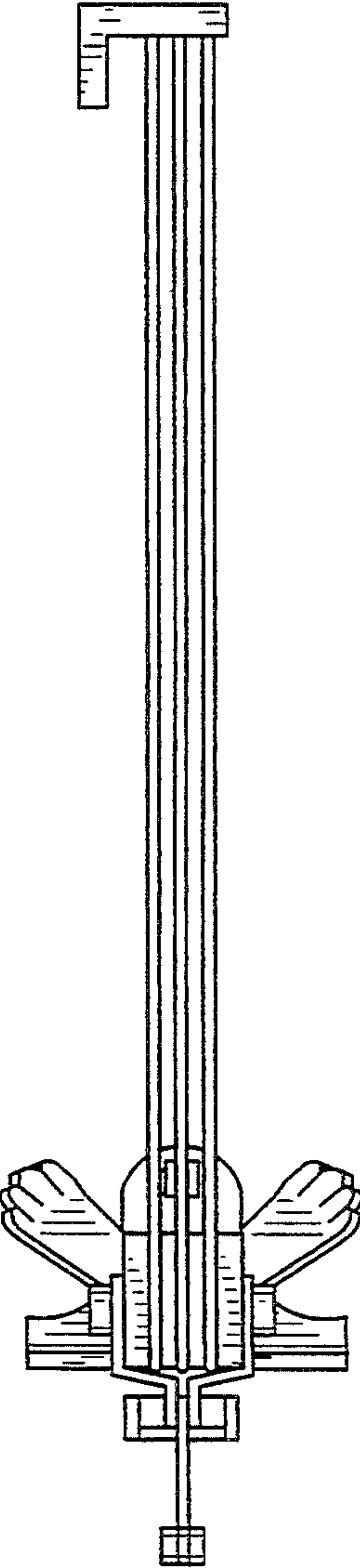


FIG. 6