



US00D358791S

United States Patent [19]

[11] Patent Number: **Des. 358,791**

Cacciola et al.

[45] Date of Patent: ** May 30, 1995

- [54] WALKER FOR YOUNG CHILD
- [75] Inventors: **Joseph C. Cacciola**, Hudson, Ohio;
Elizabeth Knight, Westwood, Mass.
- [73] Assignee: **The Little Tikes Company**, Hudson, Ohio
- [**] Term: **14 Years**
- [21] Appl. No.: **18,385**
- [22] Filed: **Feb. 4, 1994**
- [52] U.S. Cl. **D12/130; D21/59**
- [58] Field of Search **D12/130, 128; D21/78, D21/59; 272/70.3; 135/67, 65, 74; 297/5, 6**

Price, 620 Girard Avenue, East Aurora, N.Y. 14052-1879; Publication date 1992.
 PP. 14 and 15, Walkers; Playskool, A Division of Hasbro, Inc., 1027 Newport Avenue, P.O. Box 1059, Pawtucket, R.I. 02862-1059. Publication date 1993.
 PP., 11 and 57, Walkers; The Little Tikes Company, 2180 Barlow Road, Hudson, Ohio 44236. Publication date 1991.

Primary Examiner—Kay H. Chin
Attorney, Agent, or Firm—Richard B. O'Planick; Lisa B. Riedesel

[56] References Cited

U.S. PATENT DOCUMENTS

D. 321,216	10/1991	Pape et al.	D21/59
D. 352,972	11/1994	Chiang	D21/59
D. 353,566	12/1994	Chow et al.	D12/130
1,729,557	9/1929	Stoll .	
4,700,730	10/1987	Samuelson et al.	135/67
4,946,158	8/1990	Olayan et al.	272/70.3
5,013,032	5/1991	Baum et al.	272/70.3
5,050,862	9/1991	Saghafi	272/70.3
5,203,581	4/1993	Jankowski	280/87.051

OTHER PUBLICATIONS

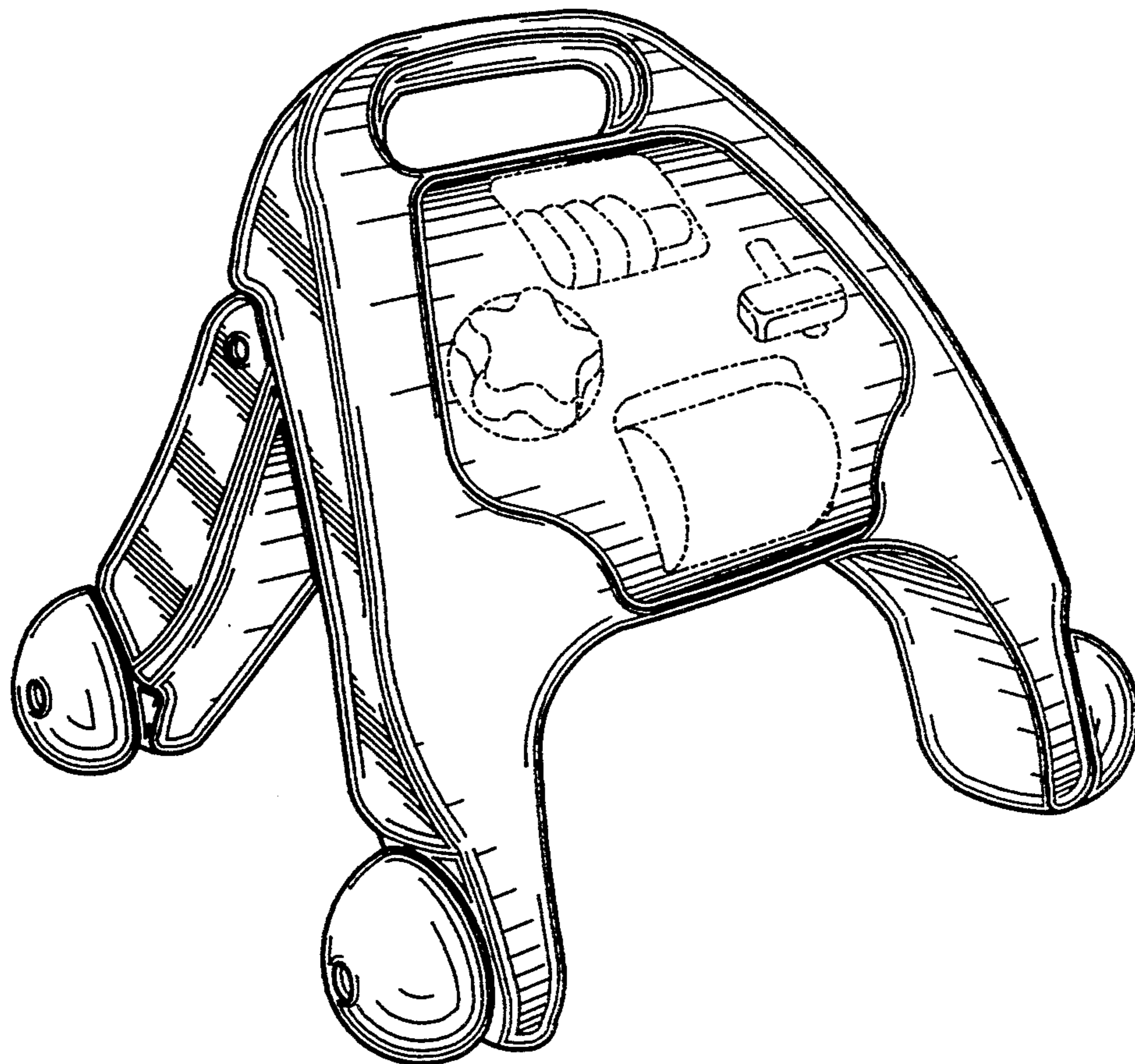
P. 5, Pick Up'n Go vacuum and dump truck; Fisher—

[57] CLAIM

The ornamental design for a walker for young child, as shown and described.

DESCRIPTION

FIG. 1 is a top left front perspective view of a walker for young child showing our new design. The broken lines are for illustrative purposes only and form no part of the claimed design;
 FIG. 2 is a front elevational view thereof;
 FIG. 3 is a left side elevational view thereof; the right side elevational view being a mirror image;
 FIG. 4 is a rear elevational view thereof;
 FIG. 5 is a top plan view thereof; and,
 FIG. 6 is a bottom plan view thereof.



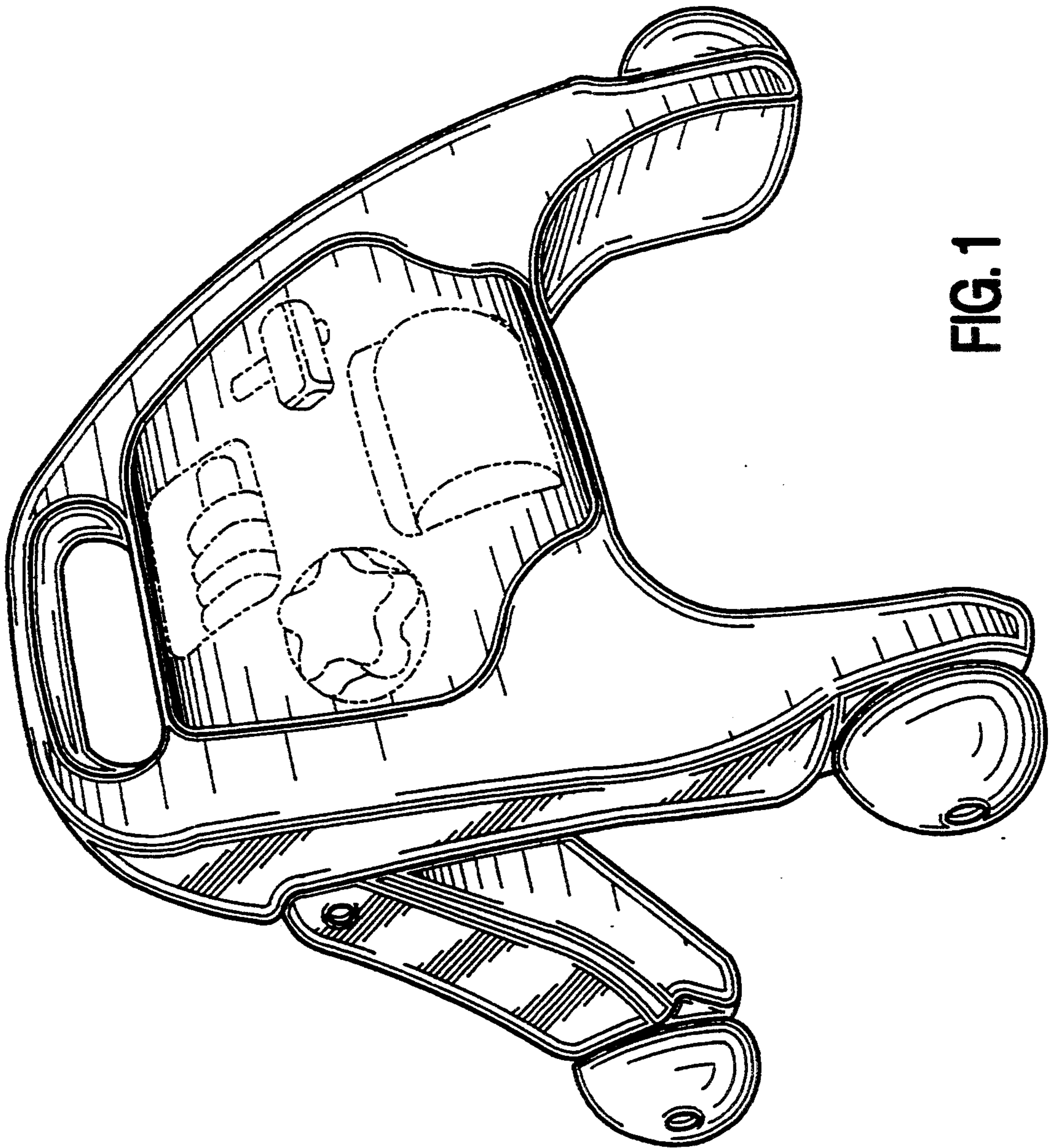


FIG. 1

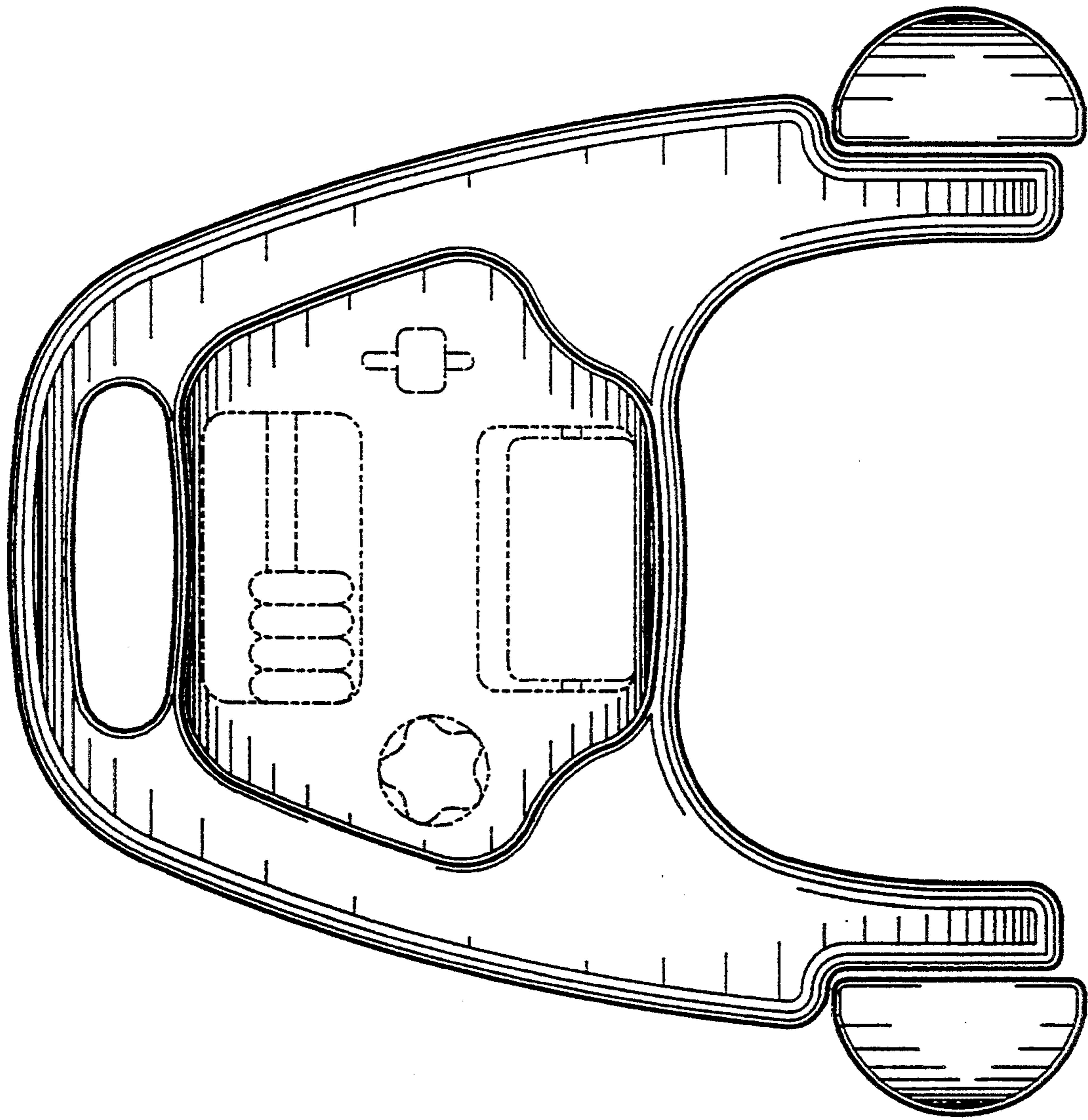


FIG. 2

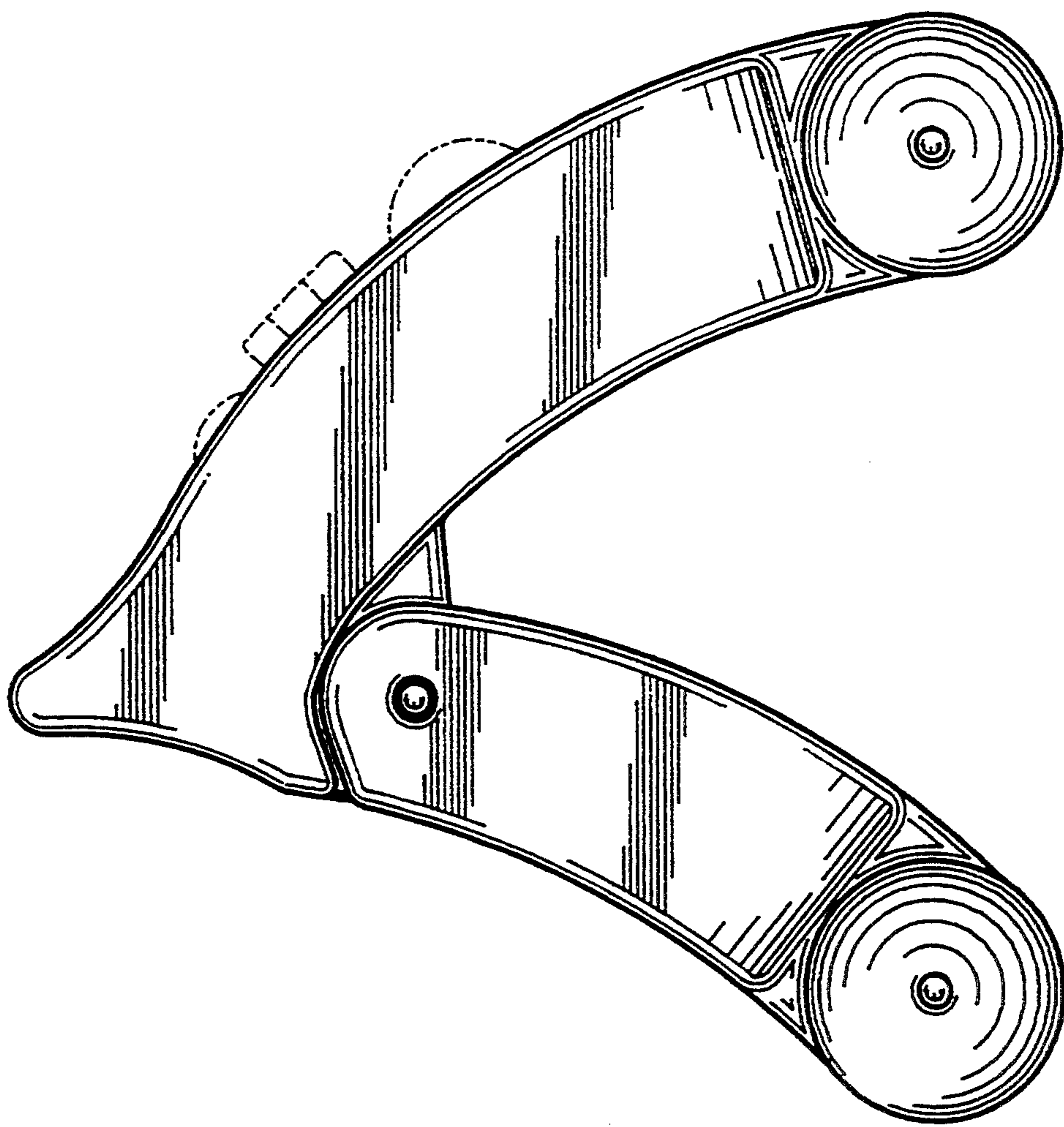


FIG. 3

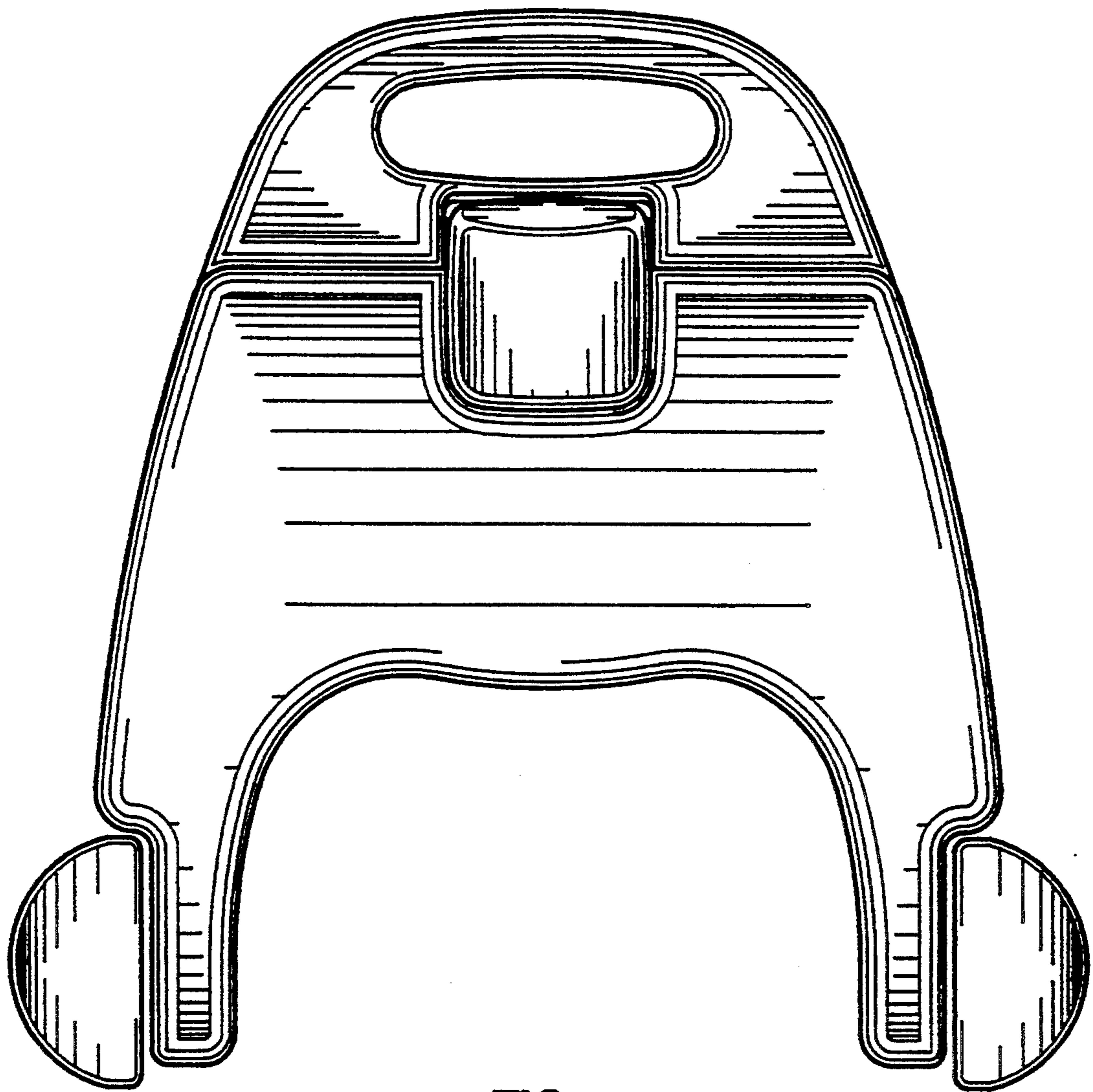


FIG. 4

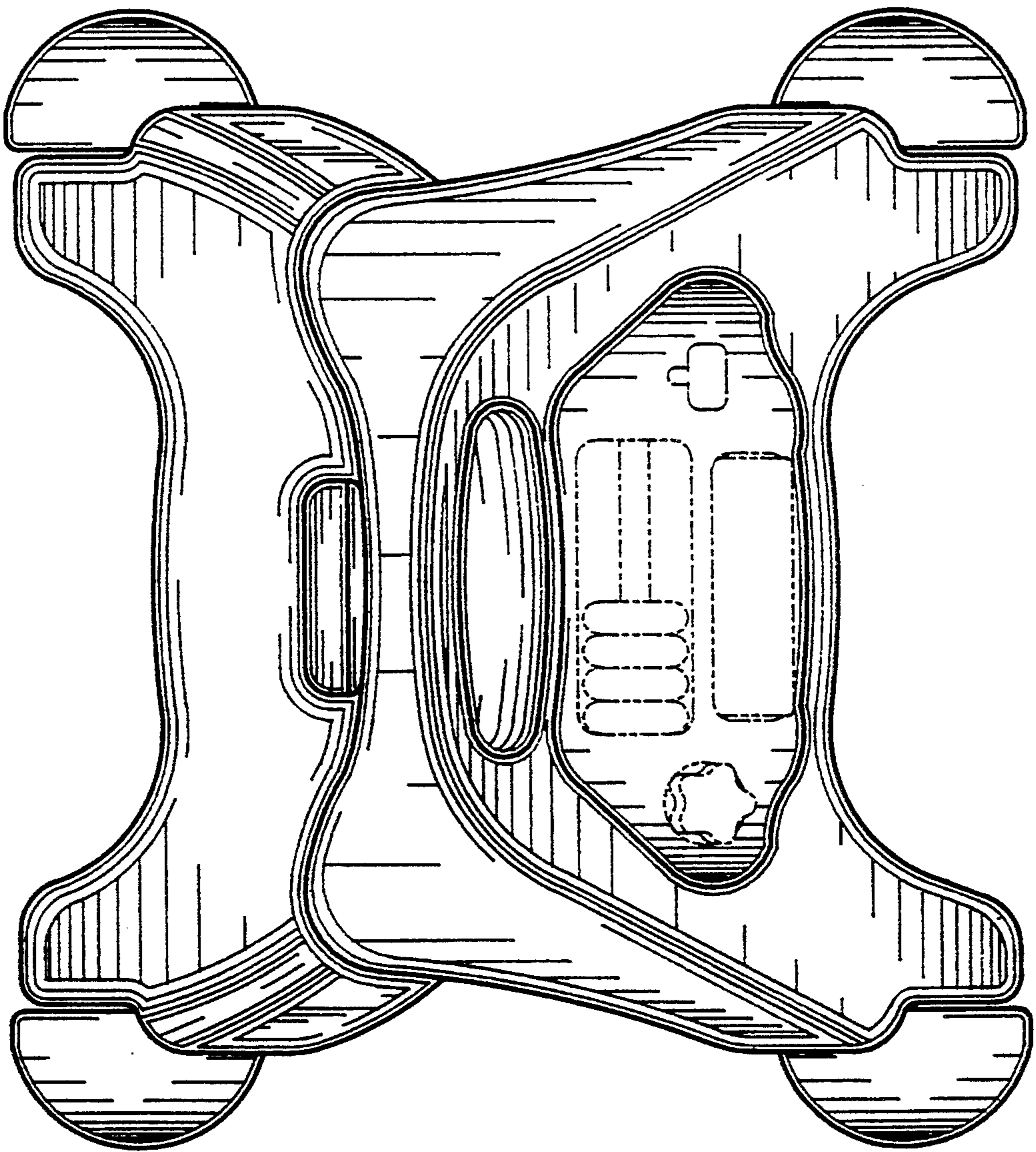


FIG. 5

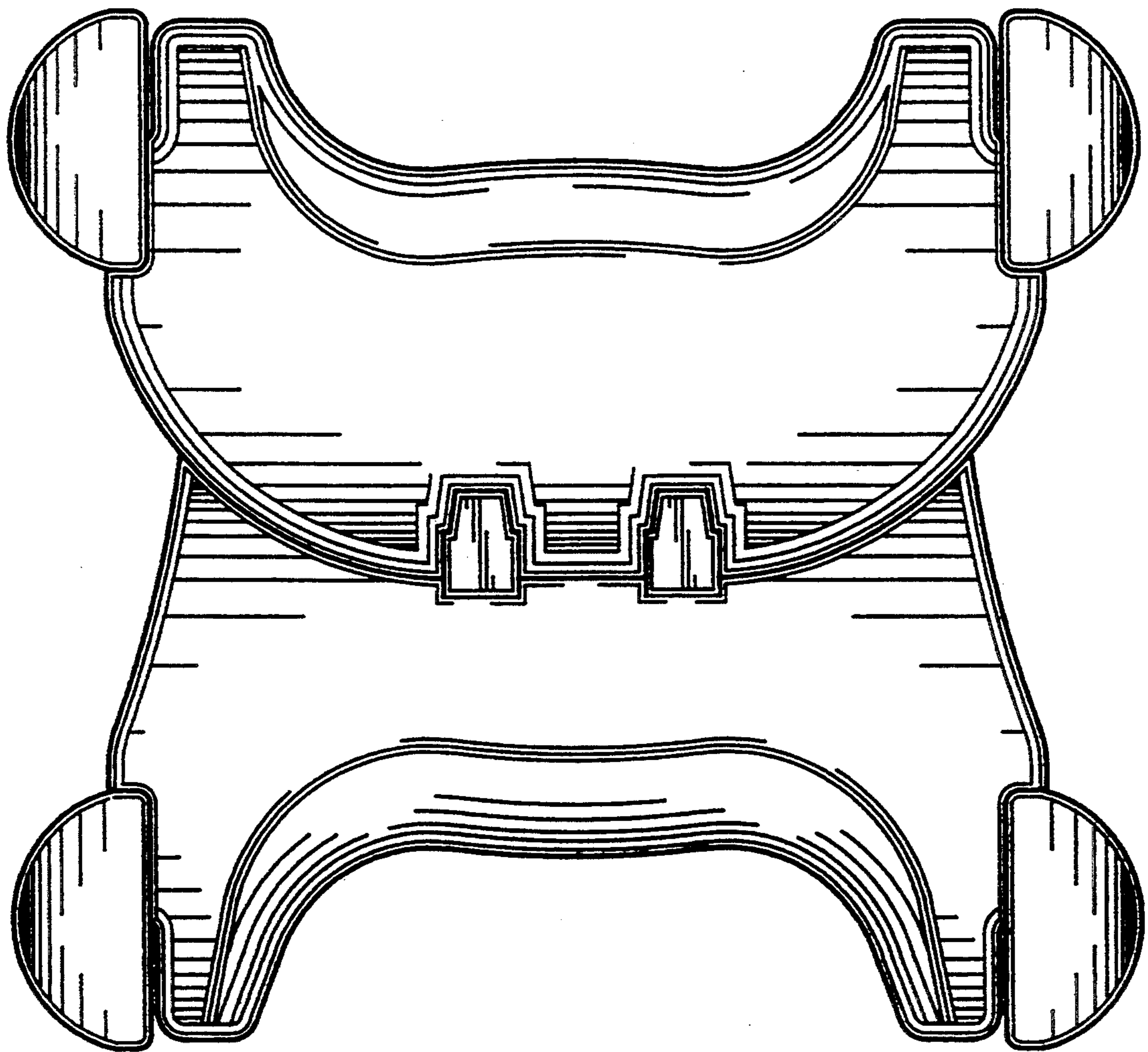


FIG. 6