



US00D358784S

# United States Patent [19]

[11] Patent Number: **Des. 358,784**

**Templin, Jr. et al.**

[45] Date of Patent: **\*\* May 30, 1995**

## [54] FLOWMETER INSTRUMENT

[75] Inventors: **James E. Templin, Jr.**, Burnsville, Minn.; **Robert B. Garnett**, Arvada, Colo.

[73] Assignee: **Rosemount Inc.**, Eden Prairie, Minn.

[\*\*] Term: **14 Years**

[21] Appl. No.: **15,536**

[22] Filed: **Nov. 19, 1993**

[52] U.S. Cl. .... **D10/96**

[58] Field of Search ..... **D10/46, 96;**  
**73/861.18-861.25, 272 R, 278**

## [56] References Cited

### U.S. PATENT DOCUMENTS

D 316,975	5/1991	Brown et al. ....	D10/46
D. 341,095	11/1993	Alden et al. ....	D10/46 X
D. 343,364	1/1994	Beulke ....	D10/96
D. 343,365	1/1994	Beulke ....	D10/96

*Primary Examiner*—Antoine Duval Davis  
*Attorney, Agent, or Firm*—Westman, Champlin & Kelly

## [57] CLAIM

The ornamental design for a flowmeter instrument, as shown and described.

## DESCRIPTION

FIG. 1 is as perspective view as seen from an end, first side and top;

FIG. 2 is a side elevational view seen from a second side opposite that shown in FIG. 1;

FIG. 3 is a side elevational view as seen from the first side;

FIG. 4 is an end elevational view as seen from left to right in FIG. 3;

FIG. 5 is an end elevational view as seen from left to right in FIG. 2;

FIG. 6 is a top plan view;

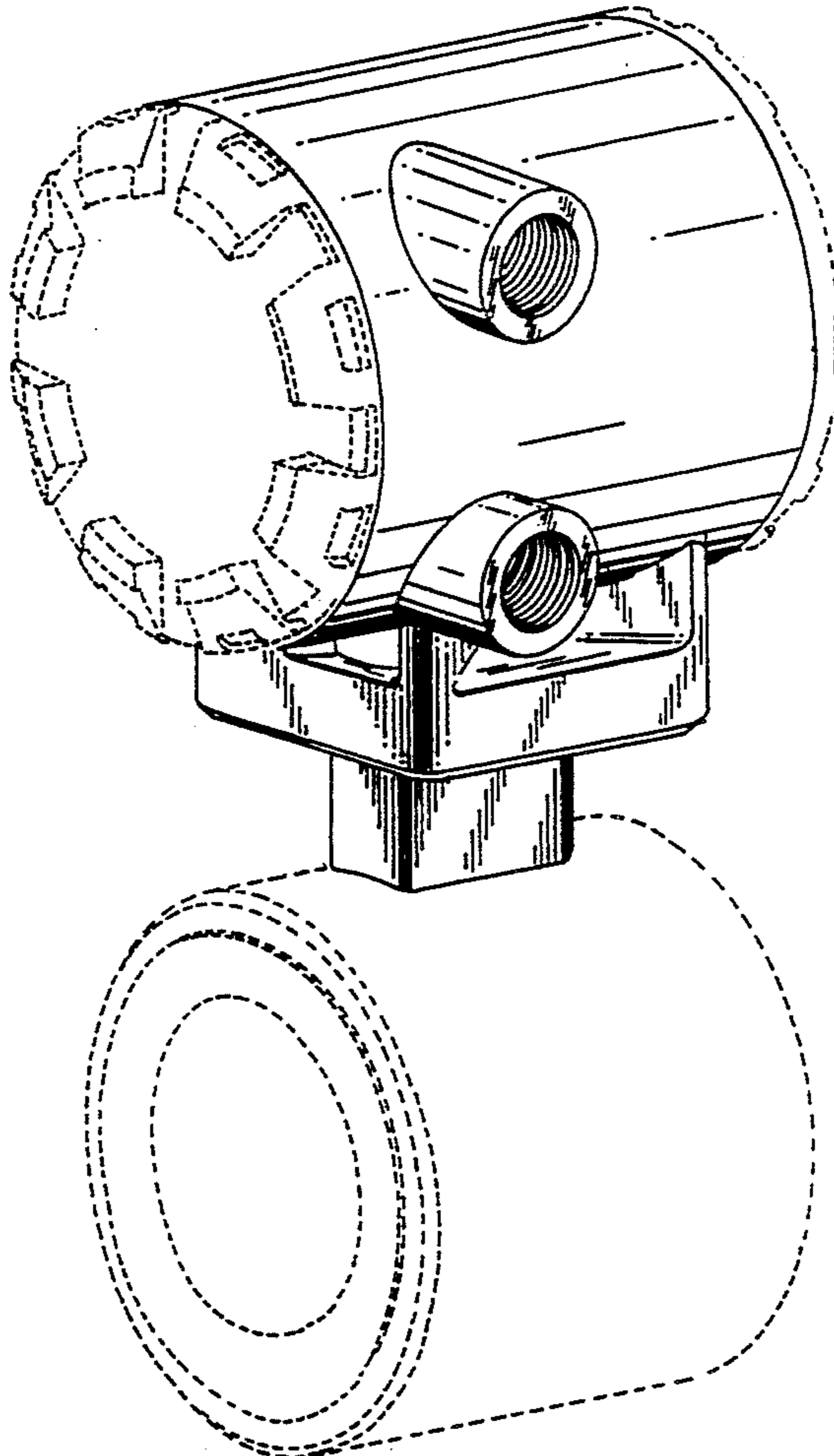
FIG. 7 is a bottom plan view;

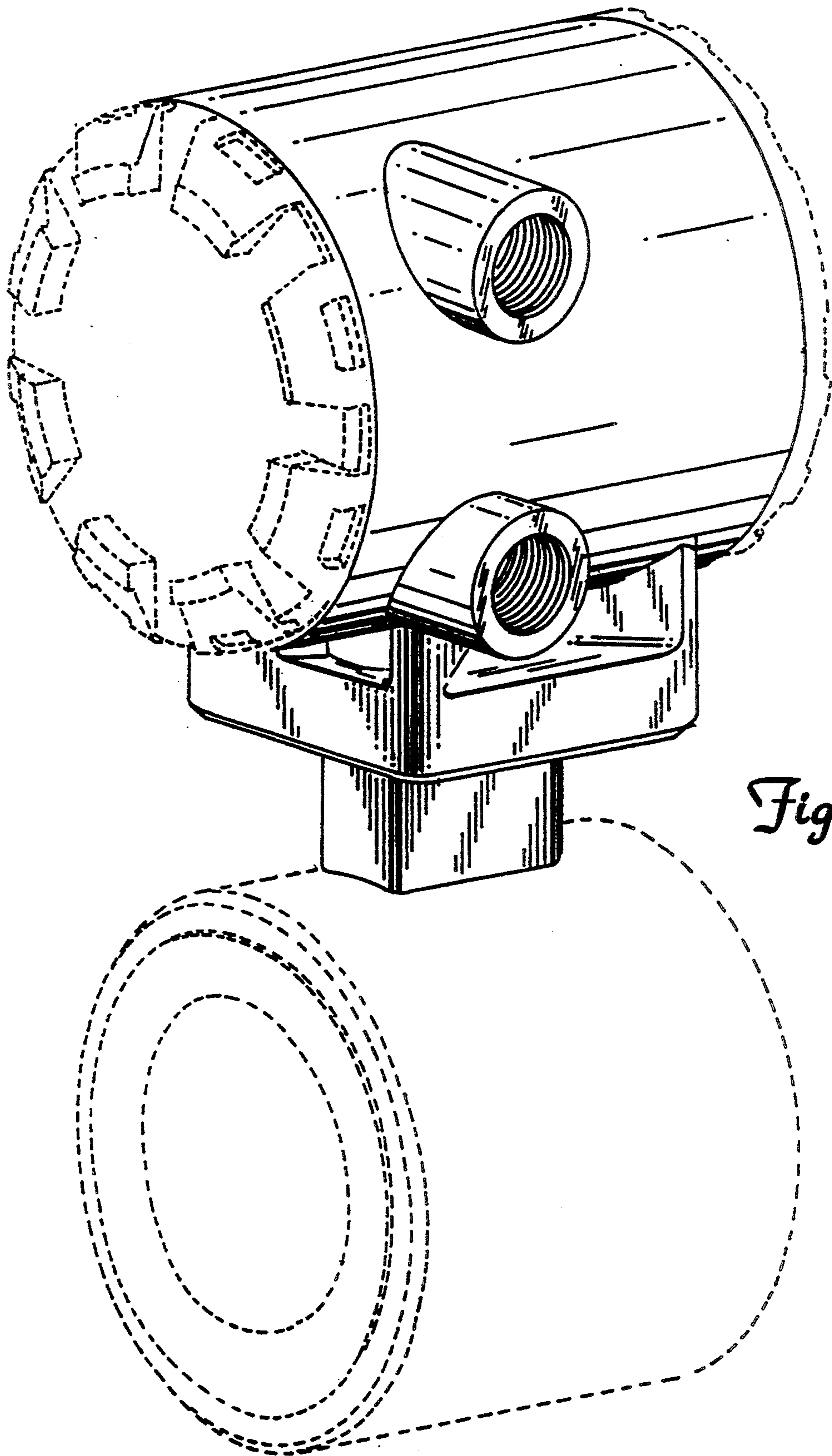
FIG. 8 is a perspective view as seen from an end, first side and top;

FIG. 9 is an end elevational view as seen from the left to right in FIG. 3; and,

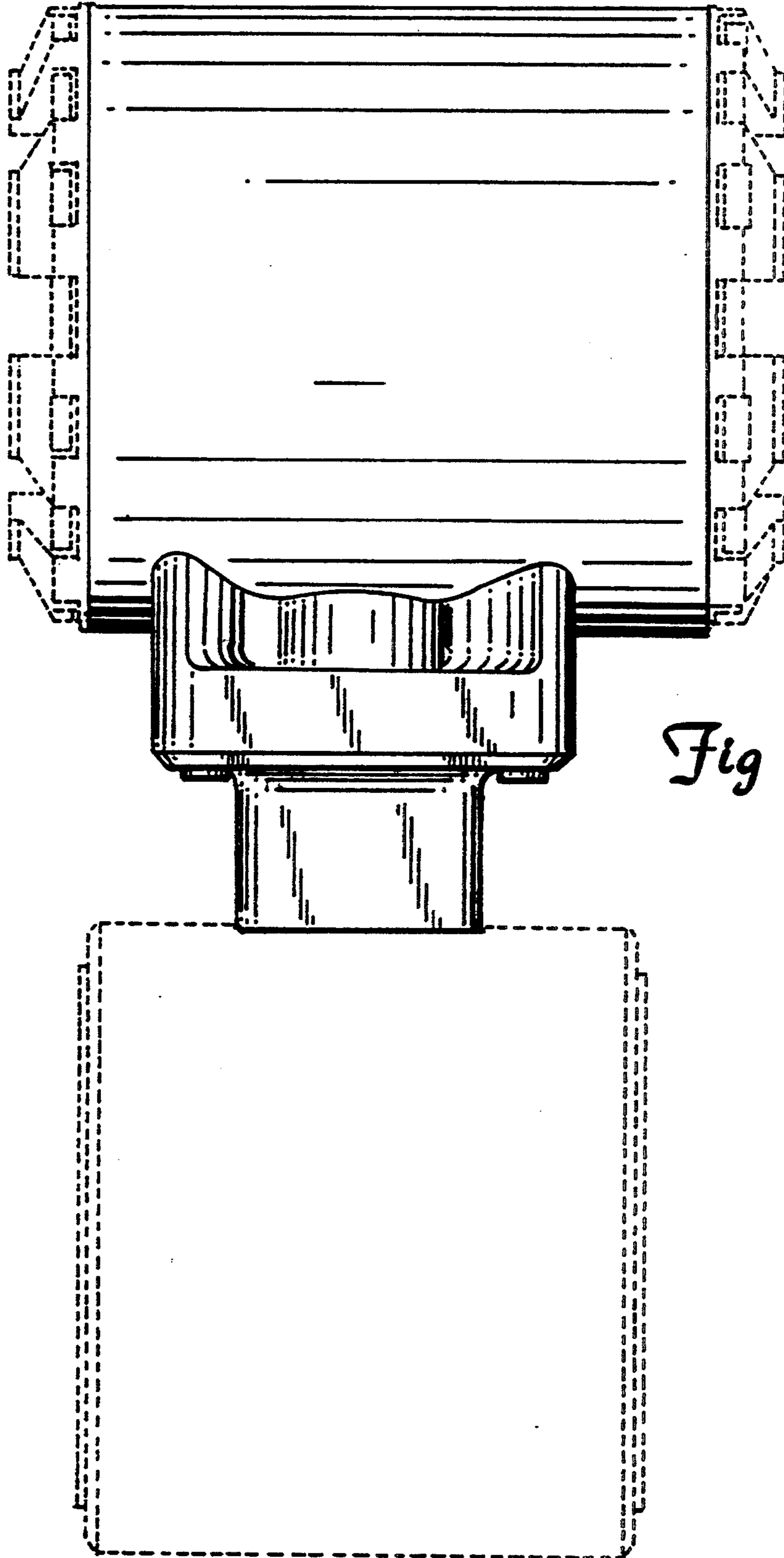
FIG. 10 is an end elevational view as seen from the left to right in FIG. 2.

The broken line showing a flow tube and covers in the drawings is for illustrative purposes only and forms no part of the claimed design.

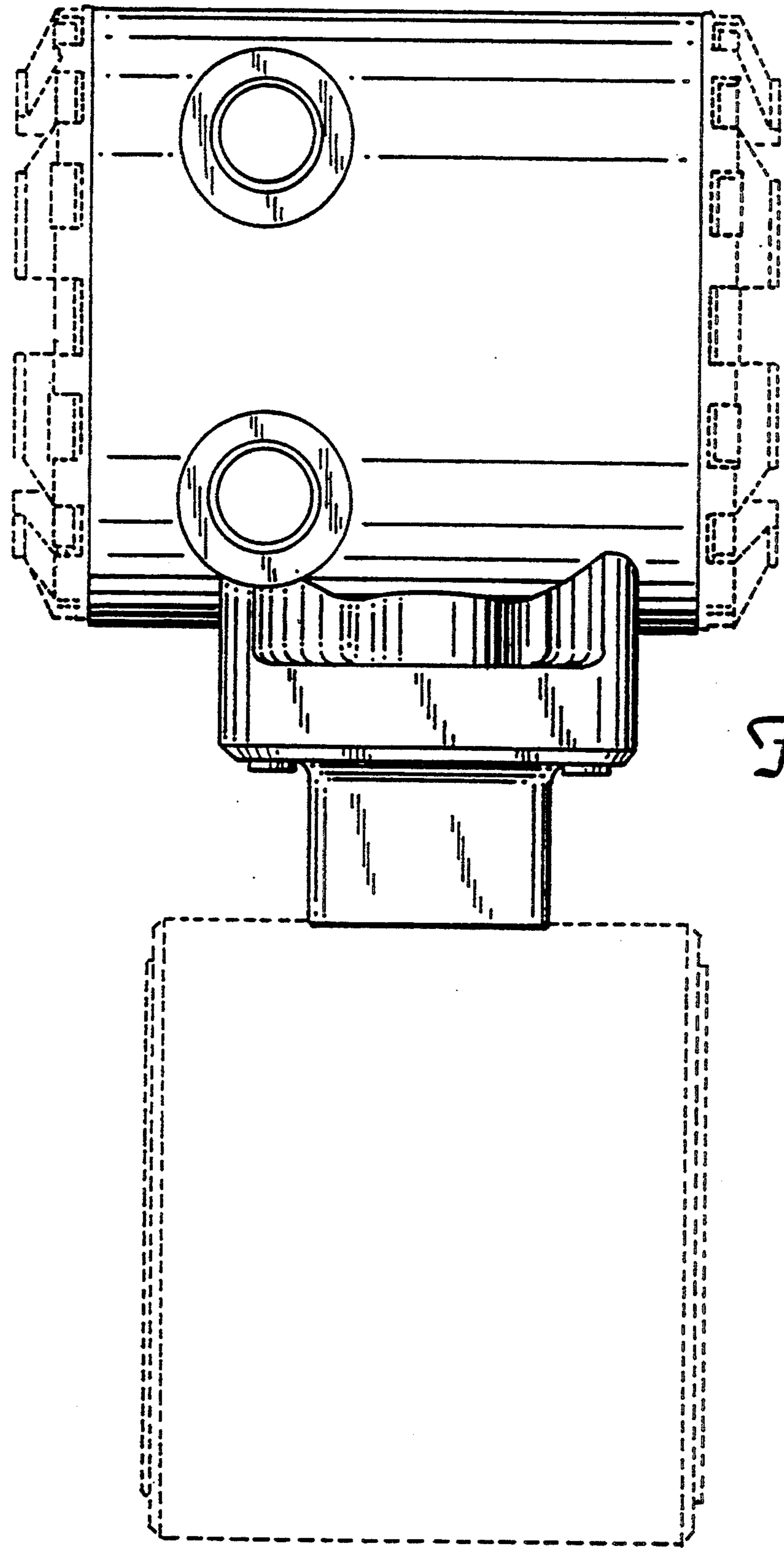




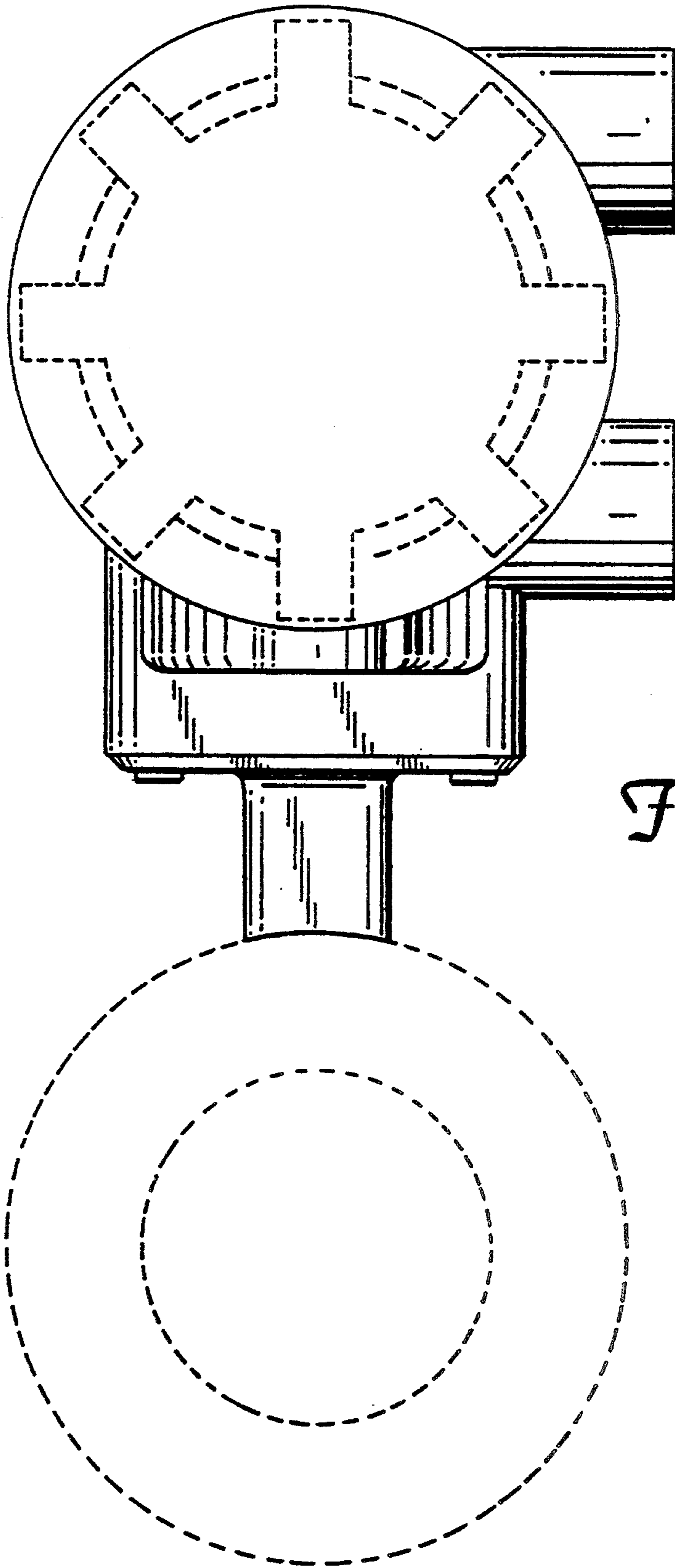
*Fig. 1*



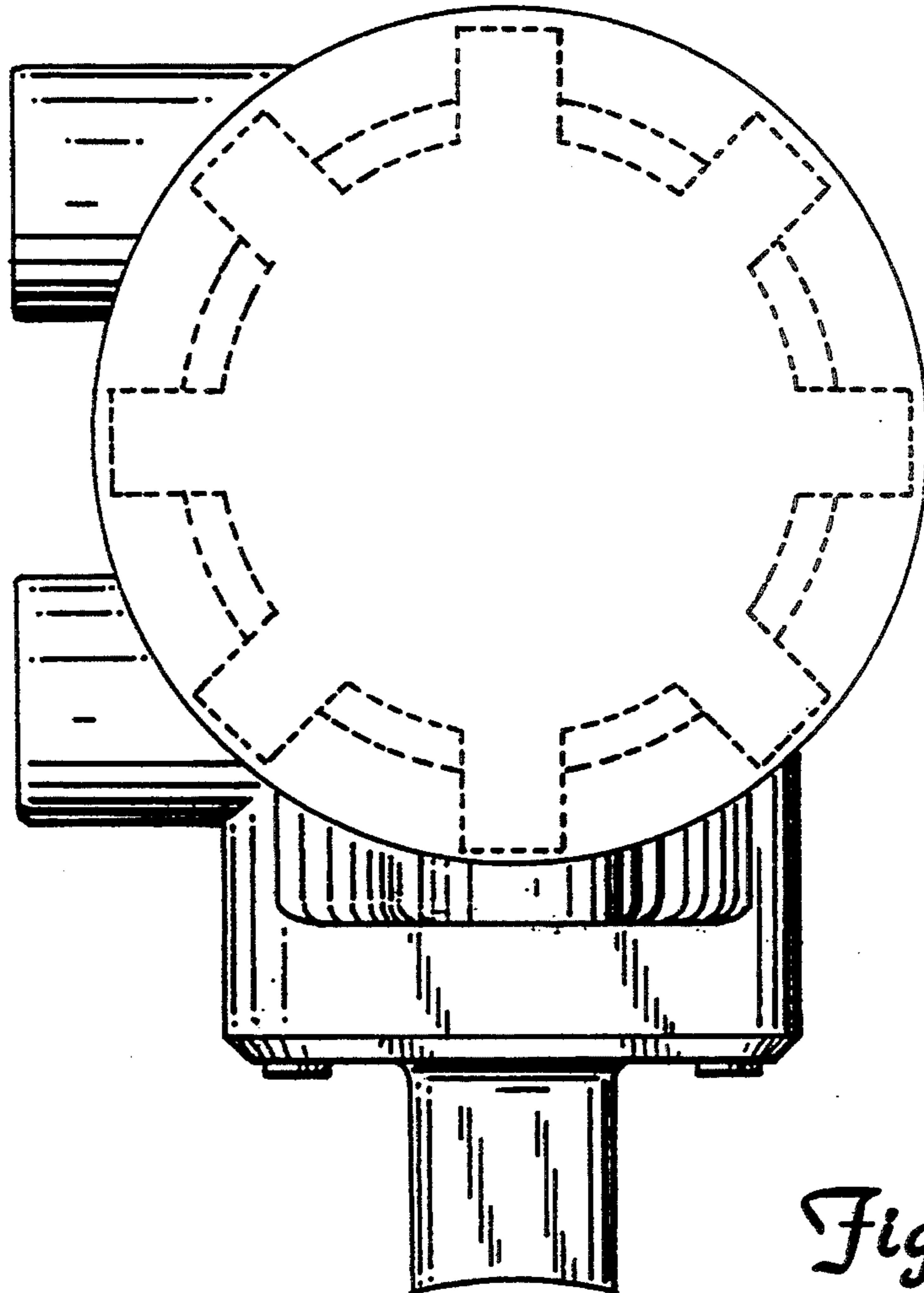
*Fig 2*



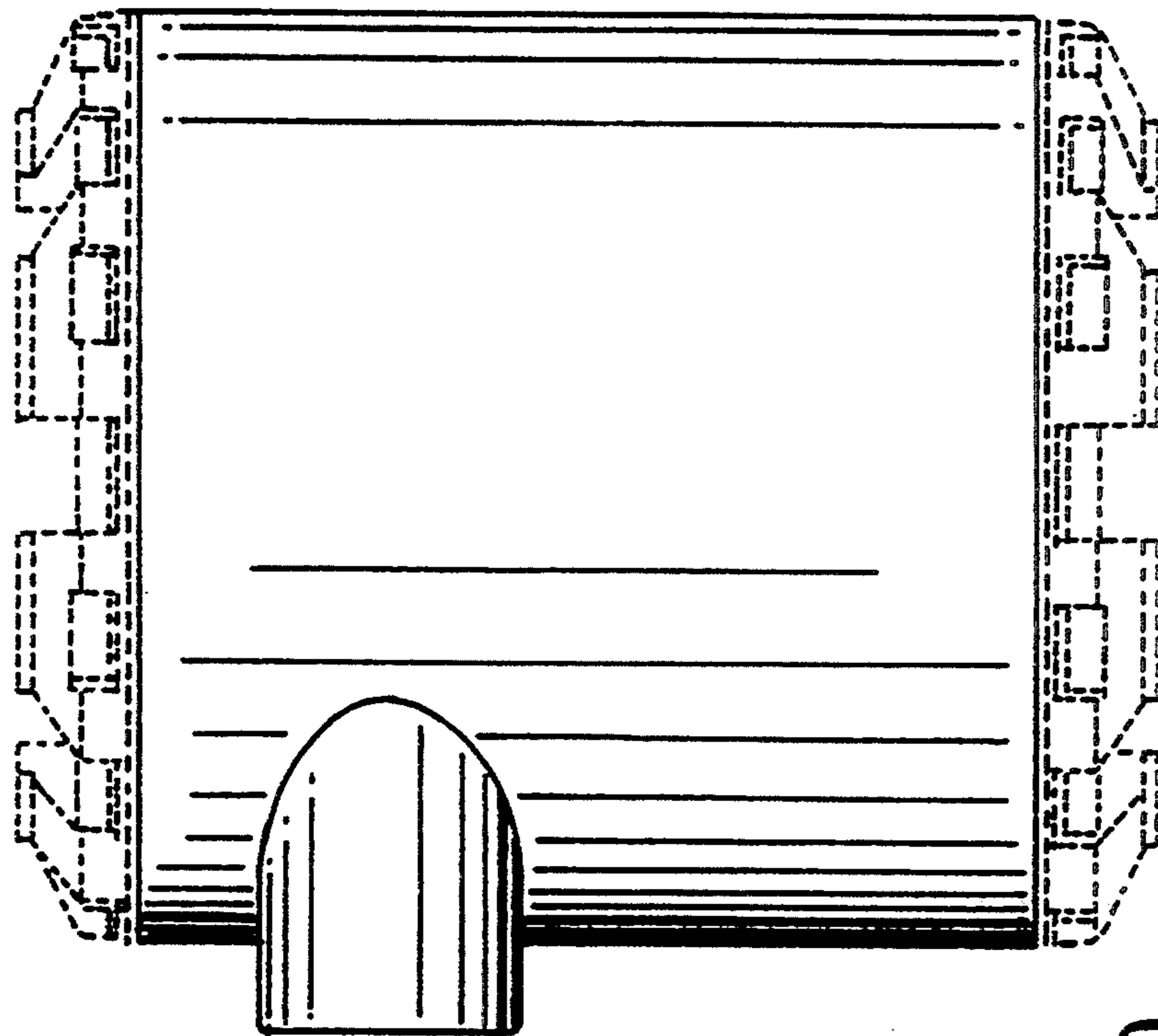
*Fig 3*



*Fig 4*



*Fig 5*



*Fig. 6*

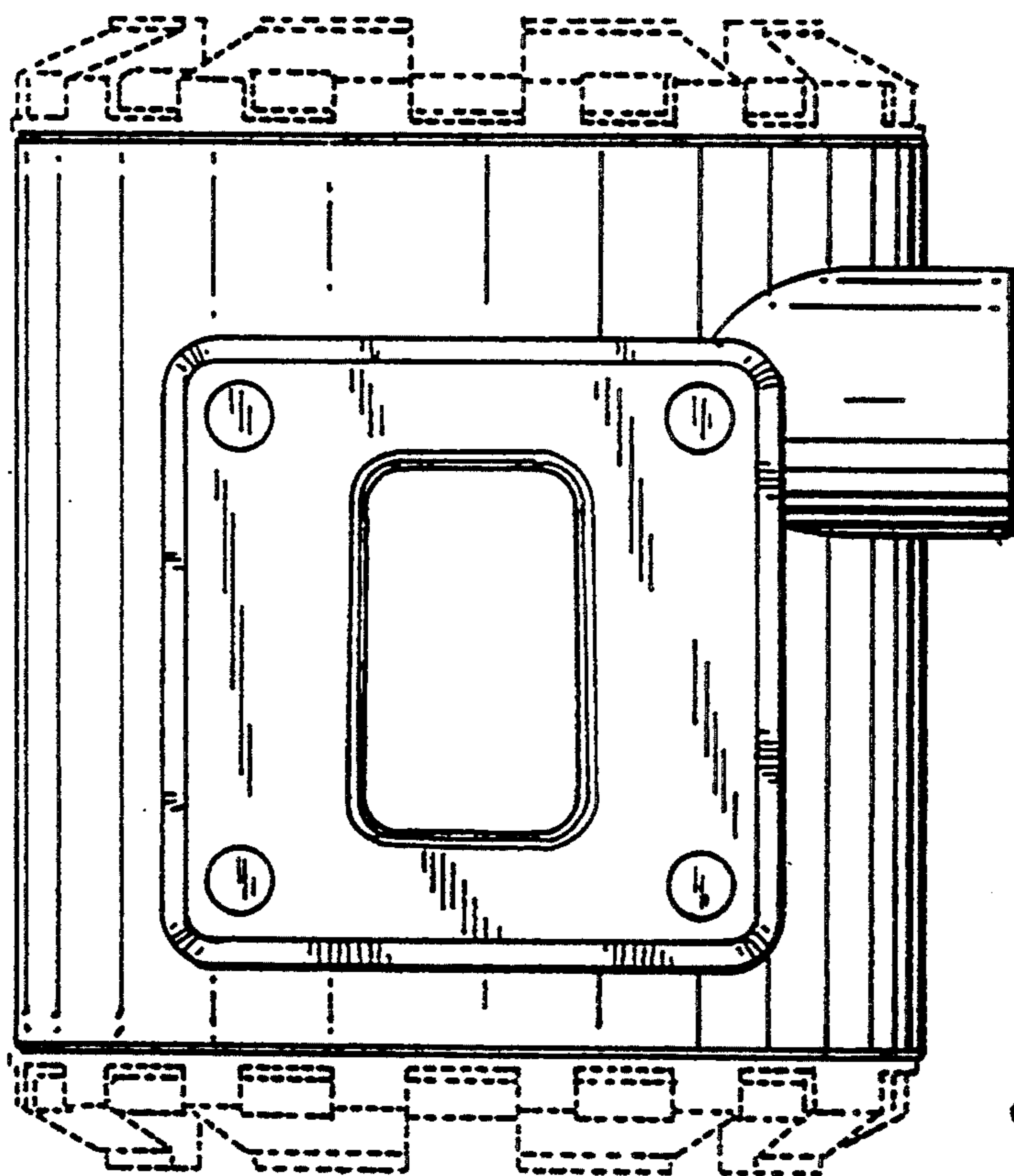
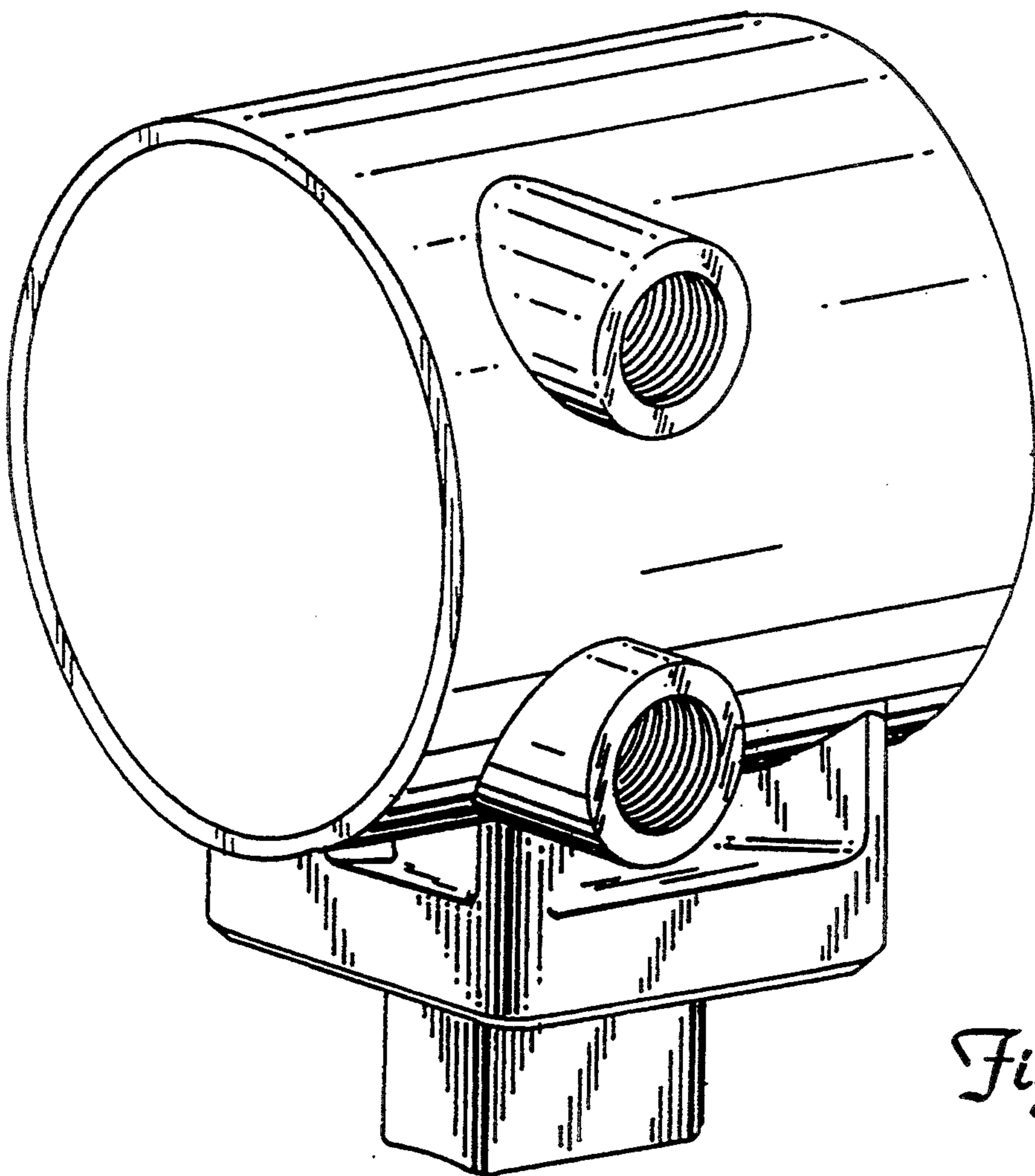
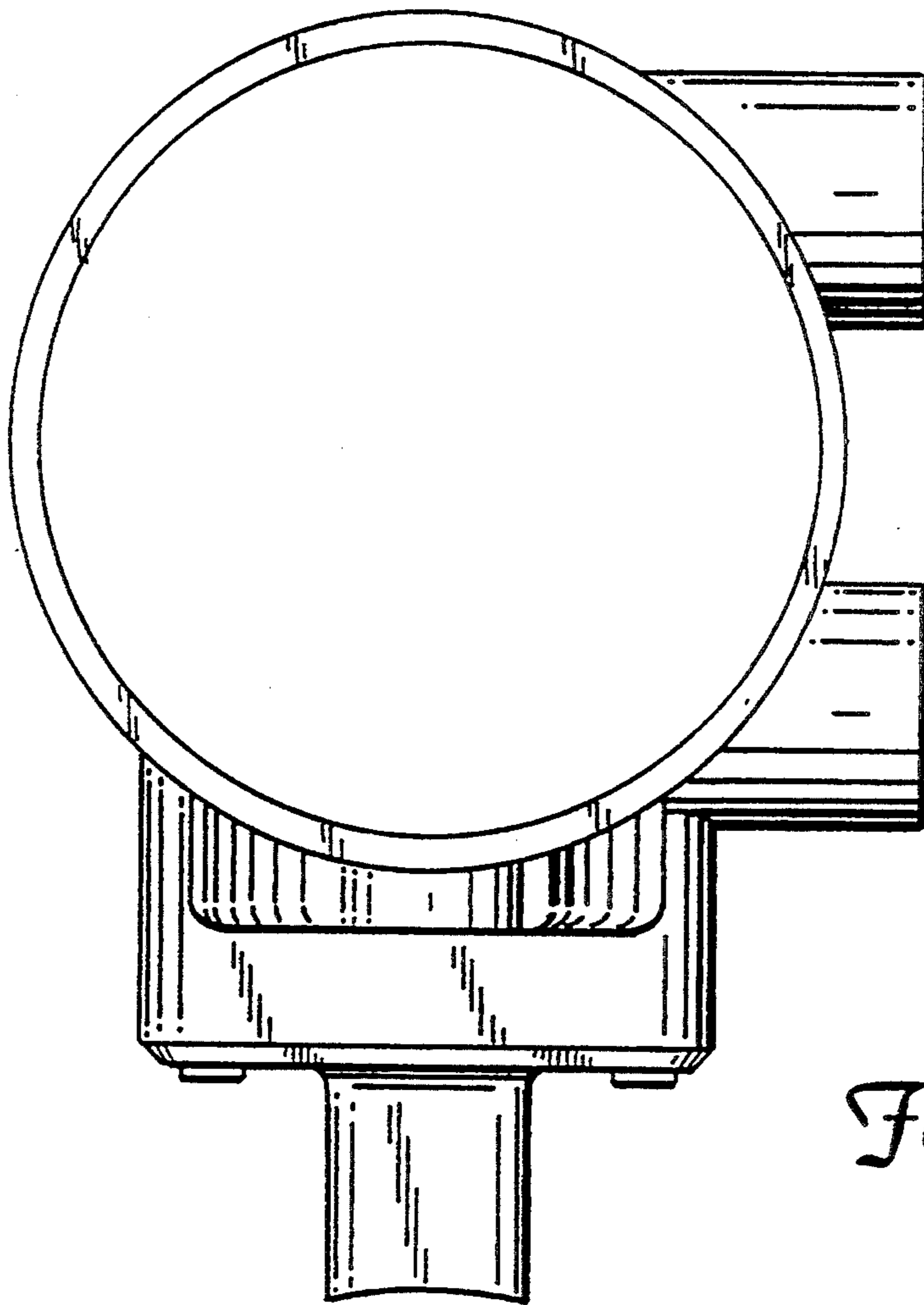


Fig 7

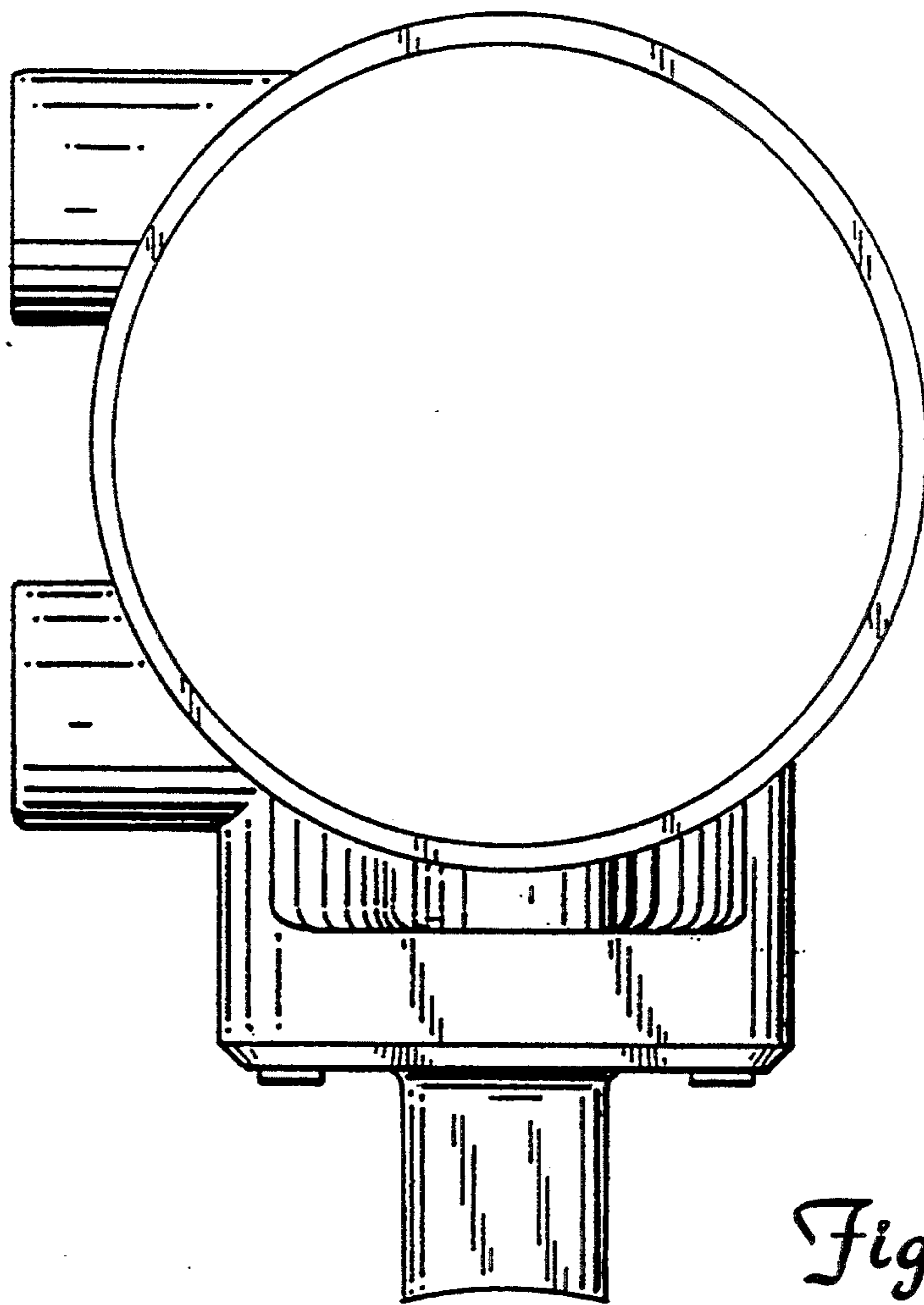




*Fig. 8*



*Fig 9*



*Fig 10*

UNITED STATES PATENT AND TRADEMARK OFFICE  
**CERTIFICATE OF CORRECTION**

PATENT NO. : D 358,784

DATED : May 30, 1995

INVENTOR(S) : James E. Templin, Jr., et al

It is certified that error appears in the above-identified patent and that said Letters Patent is hereby corrected as shown below:

On the title page in the Description, line 1,  
delete "as" (first occurrence) and insert --a--.

Signed and Sealed this  
Third Day of October, 1995

*Attest:*



**BRUCE LEHMAN**

*Attesting Officer*

*Commissioner of Patents and Trademarks*