



US00D358781S

United States Patent [19]

[11] Patent Number: **Des. 358,781**

Seydler

[45] Date of Patent: **** May 30, 1995**

[54] **HILLSIDE FENCE MEASURING DEVICE**

5,357,682 10/1994 Henderson, Jr. 33/339

[76] Inventor: **David L. Seydler**, 3012 Steve Dr.,
Hurst, Tex. 76054

Primary Examiner—Alan P. Douglas
Assistant Examiner—Antoine D. Davis

[**] Term: **14 Years**

[57] **CLAIM**

[21] Appl. No.: **19,882**

The ornamental design for a hillside fence measuring device, as shown.

[22] Filed: **Mar. 11, 1994**

[52] U.S. Cl. **D10/70**

[58] Field of Search **D10/70; 33/339, 833;**
273/29 BA, 29 BB

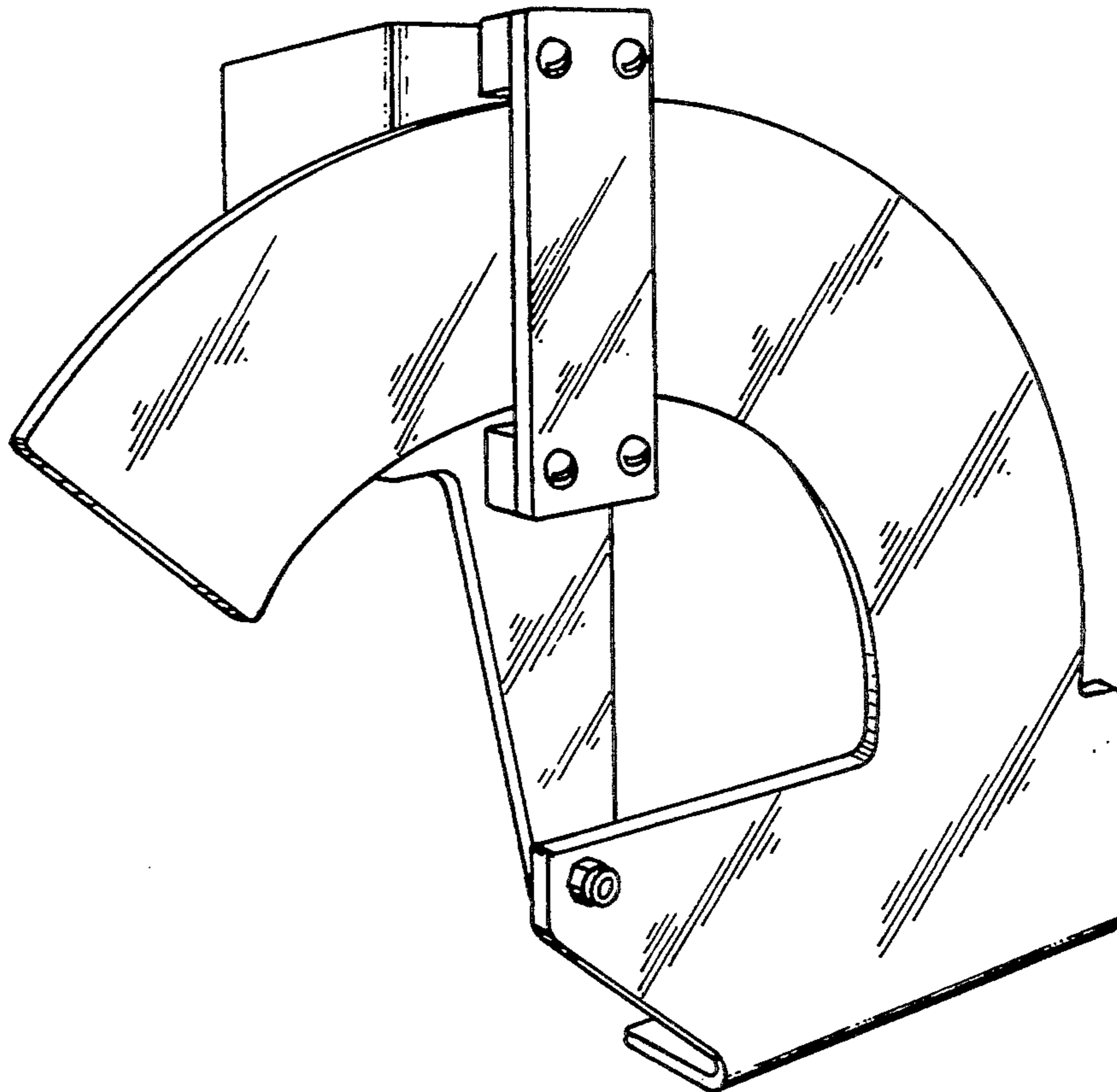
DESCRIPTION

FIG. 1 is a front perspective view of a hillside fence measuring device showing my design; FIG. 2 is a left side view thereof; FIG. 3 is a front view thereof; FIG. 4 is a top view thereof; FIG. 5 is a bottom view thereof; and, FIG. 6 is a rear view thereof.

[56] **References Cited**

U.S. PATENT DOCUMENTS

D. 320,569 10/1991 Goldberg D10/70
4,973,055 11/1990 Muir 273/29 BA



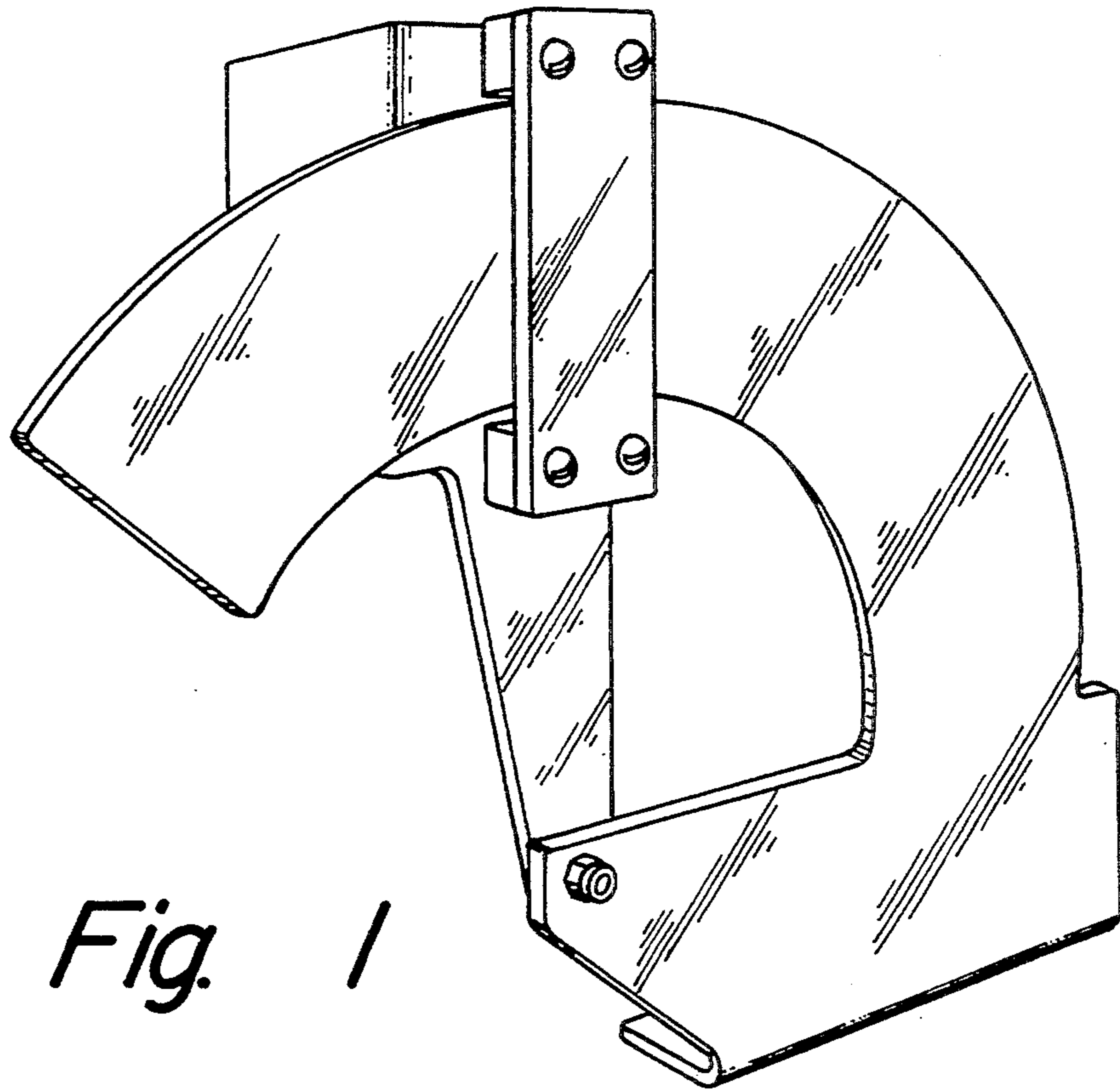


Fig. 1

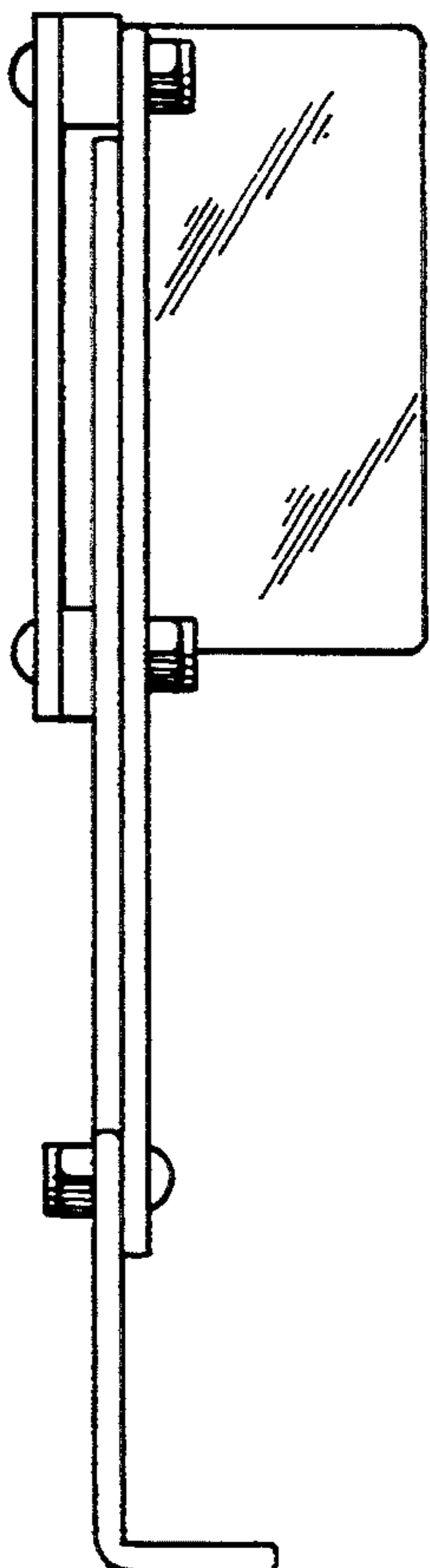


Fig. 2

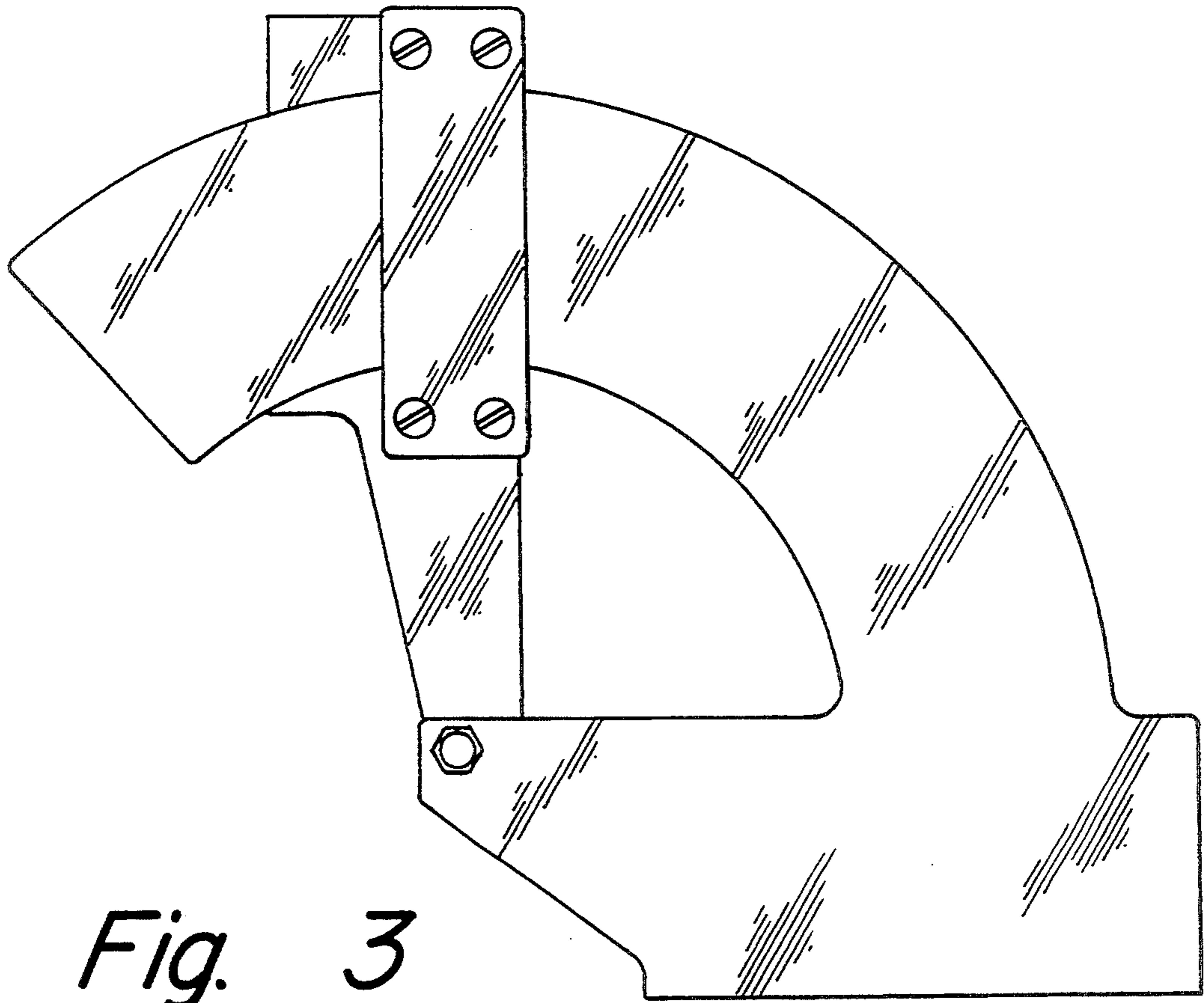


Fig. 3

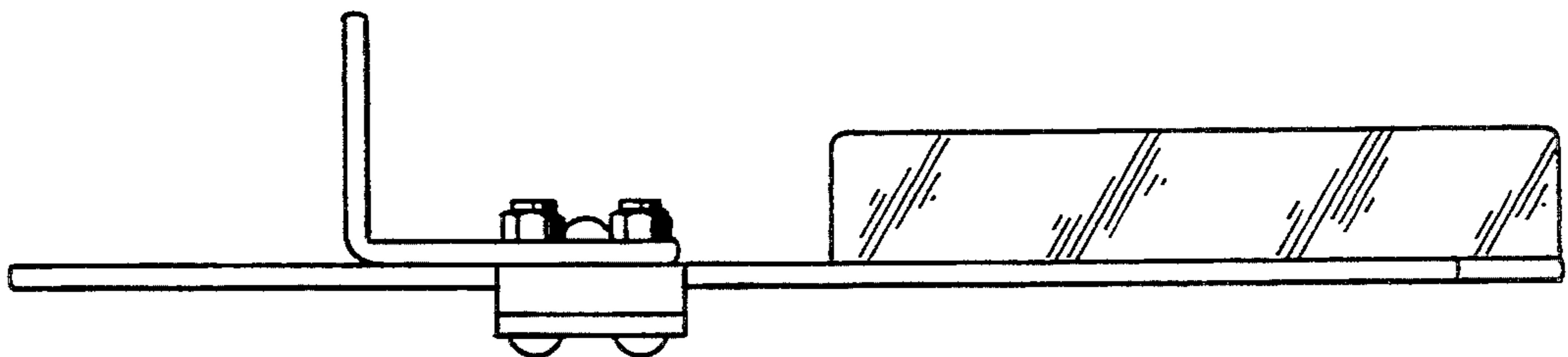


Fig. 4

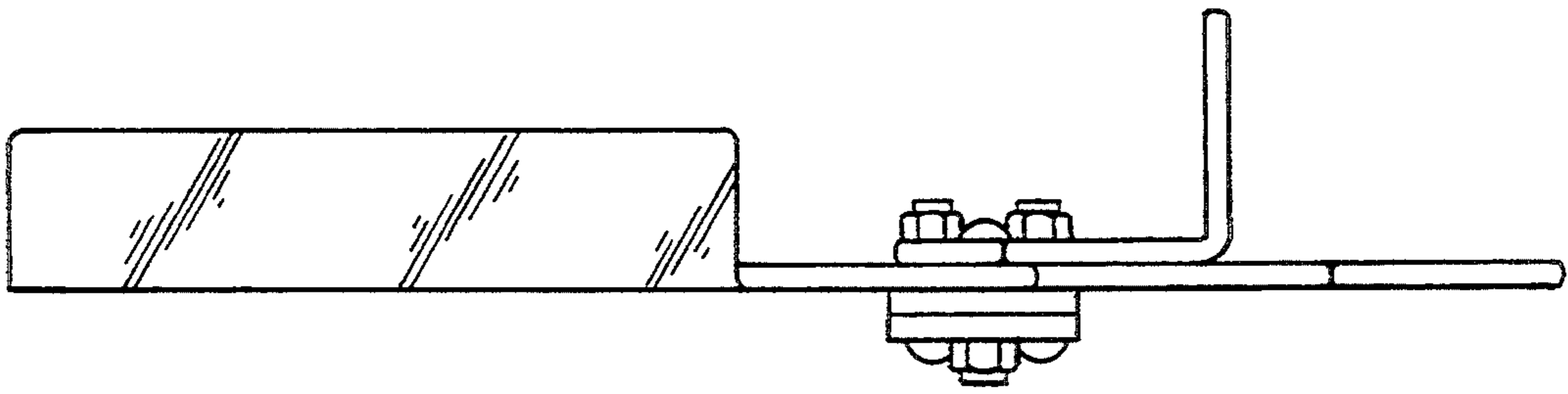


Fig. 5

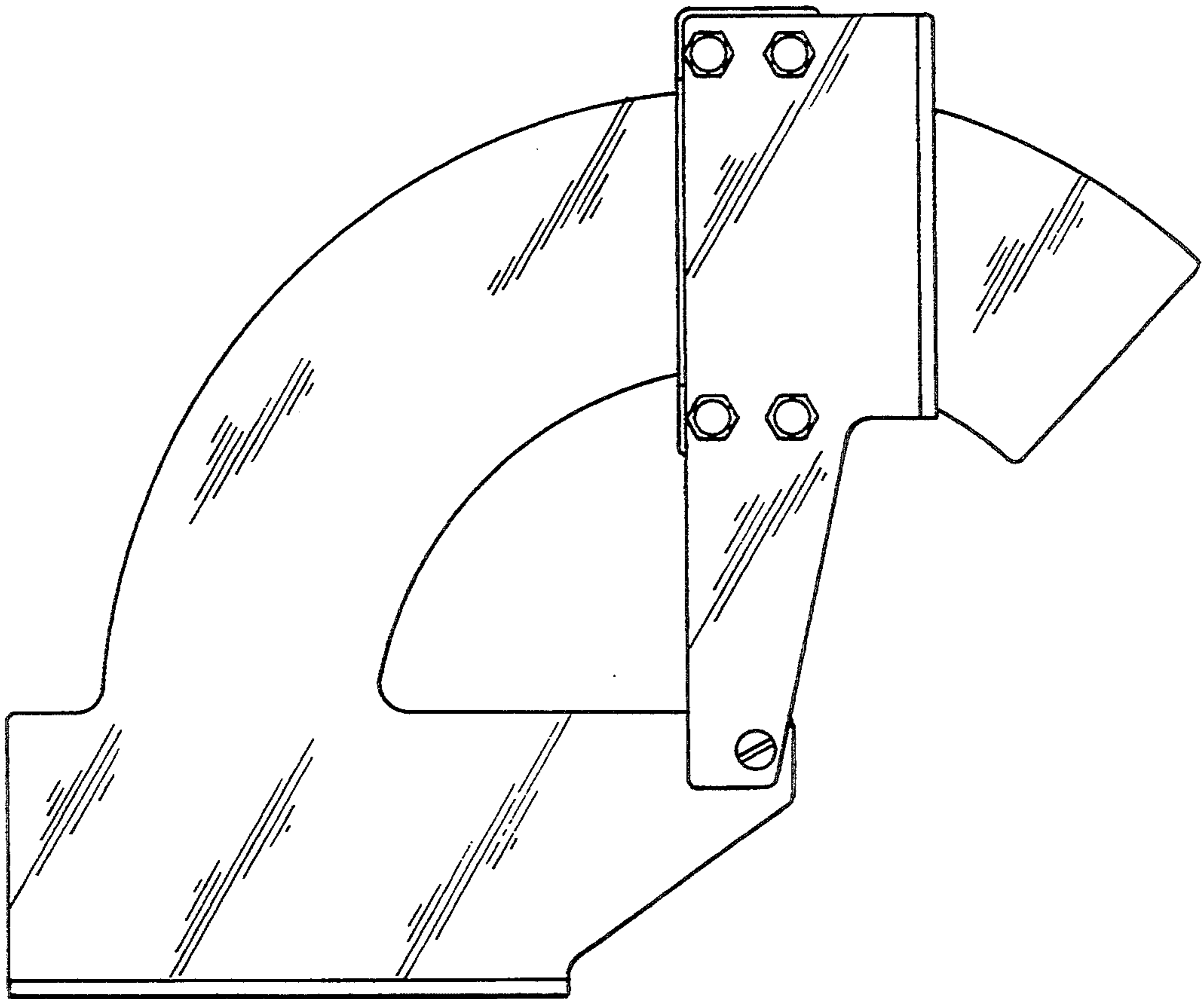


Fig. 6