



US00D358779S

United States Patent [19]

[11] Patent Number: **Des. 358,779**

Fabunan

[45] Date of Patent: **** May 30, 1995**

[54] **MONITOR FOR A DIAPER**

[56] **References Cited**

[76] Inventor: **Ruben G. Fabunan**, 3248 Sherbourne Dr., Los Angeles, Calif. 90034

U.S. PATENT DOCUMENTS

D. 316,823	5/1991	Dadachanji	D10/56
D. 350,756	9/1994	Zelios	D14/192 X
4,205,672	6/1980	Dvorak	128/886
5,074,317	12/1991	Bondell	128/886

[**] Term: **14 Years**

Primary Examiner—Antoine Duval Davis
Attorney, Agent, or Firm—Terry M. Gernstein

[21] Appl. No.: **21,019**

[57] CLAIM

The ornamental design for a monitor for a diaper, as shown and described.

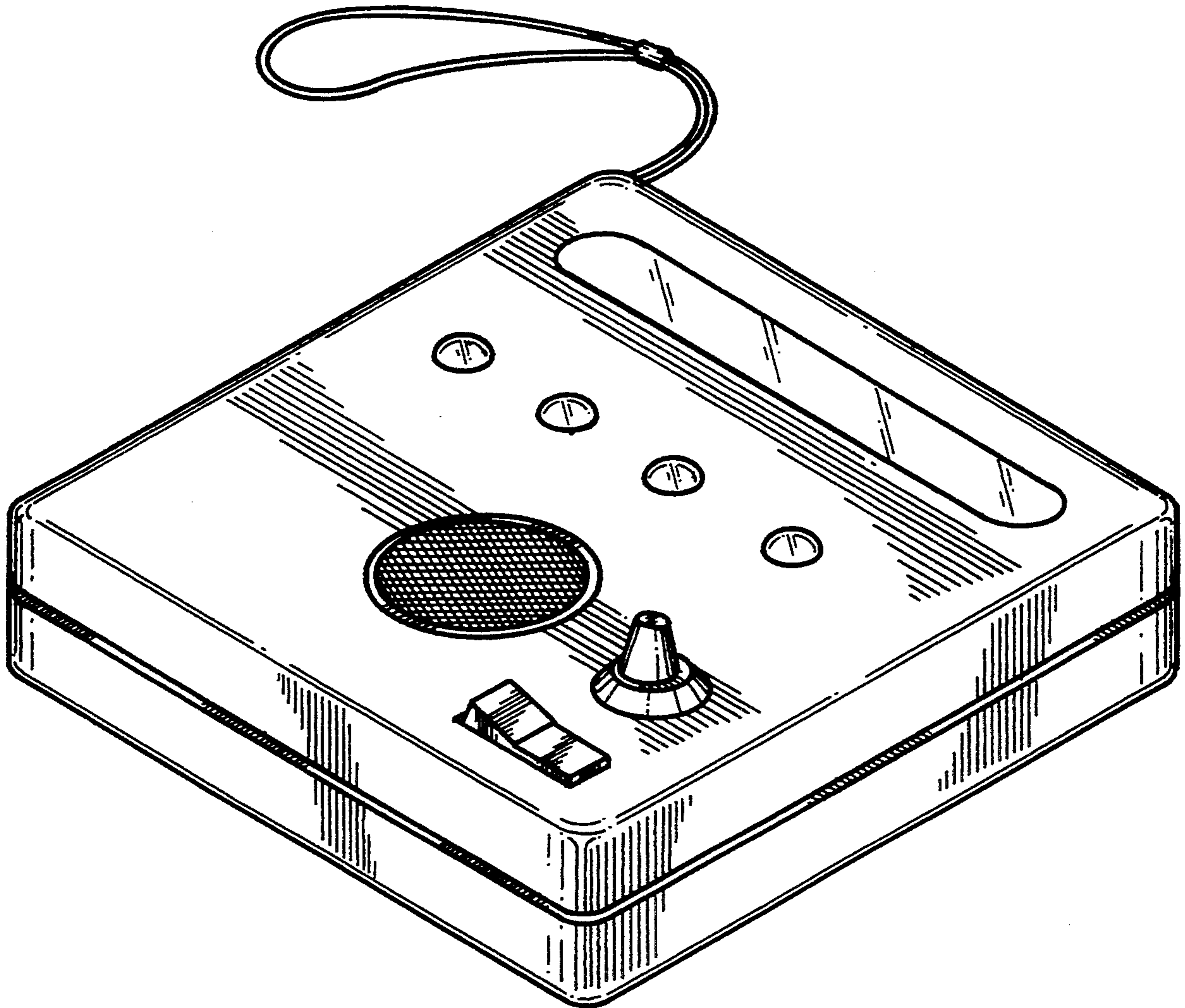
[22] Filed: **Apr. 7, 1994**

DESCRIPTION

[52] U.S. Cl. **D10/56; D10/52; D10/78; D10/96; D10/101**

FIG. 1 is a front, top and side perspective view of the monitor for a diaper showing my new design;
FIG. 2 is a front elevational view thereof;
FIG. 3 is a rear elevational view thereof;
FIG. 4 is a side elevational view thereof;
FIG. 5 is a side elevational view thereof;
FIG. 6 is a top plan view thereof; and,
FIG. 7 is a bottom plan view thereof.

[58] Field of Search **D10/52, 56, 78, 96, D10/101; D14/124, 160, 168, 188, 189, 190, 192, 193, 194, 195, 196, 197, 198, 217, 257, 260, 299; 73/29.05; 116/200, 202, 206, 216, 227, 69, DIG. 44; 128/886; 340/573, 604; 455/344, 347, 348, 349, 350, 351**



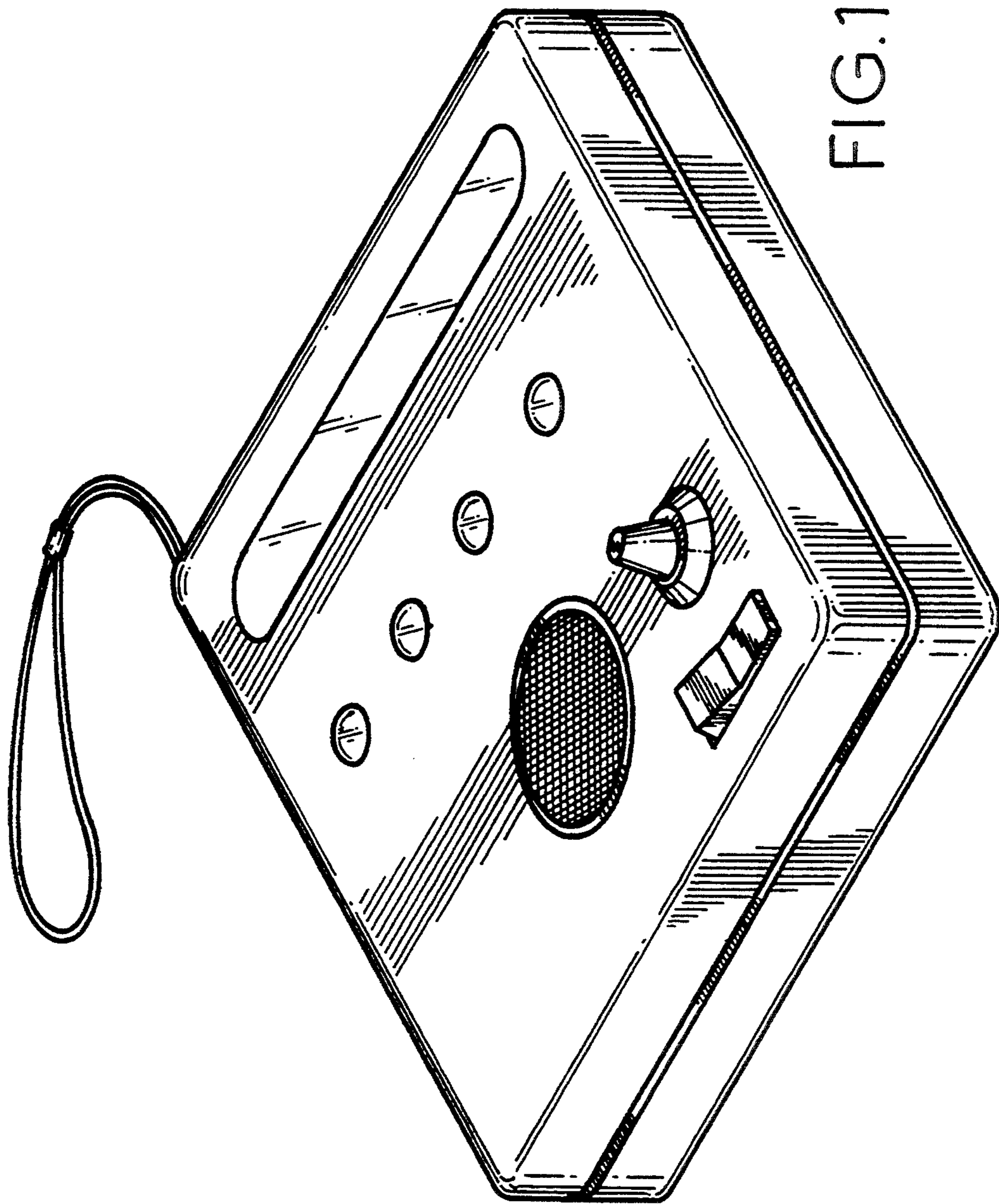


FIG.1.

FIG. 7.

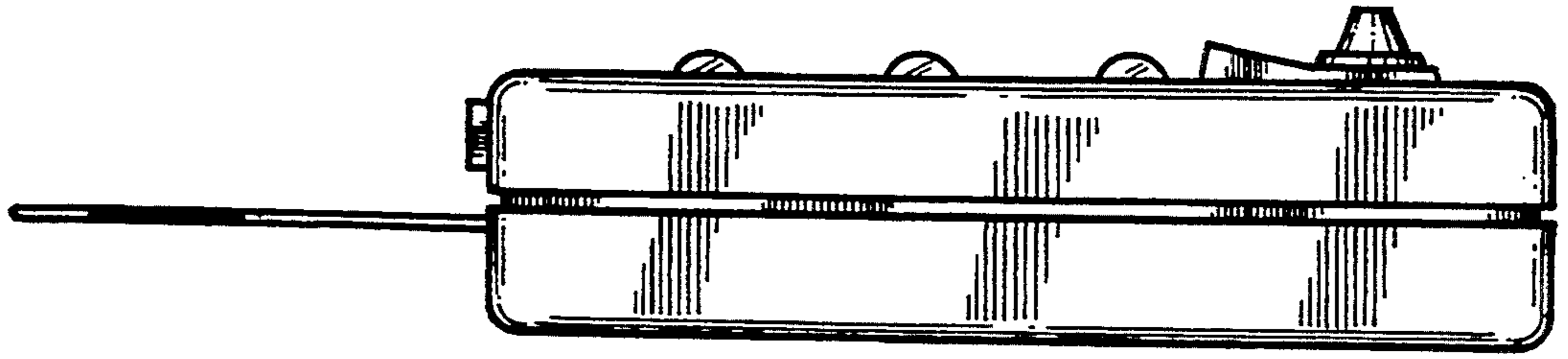


FIG. 4.

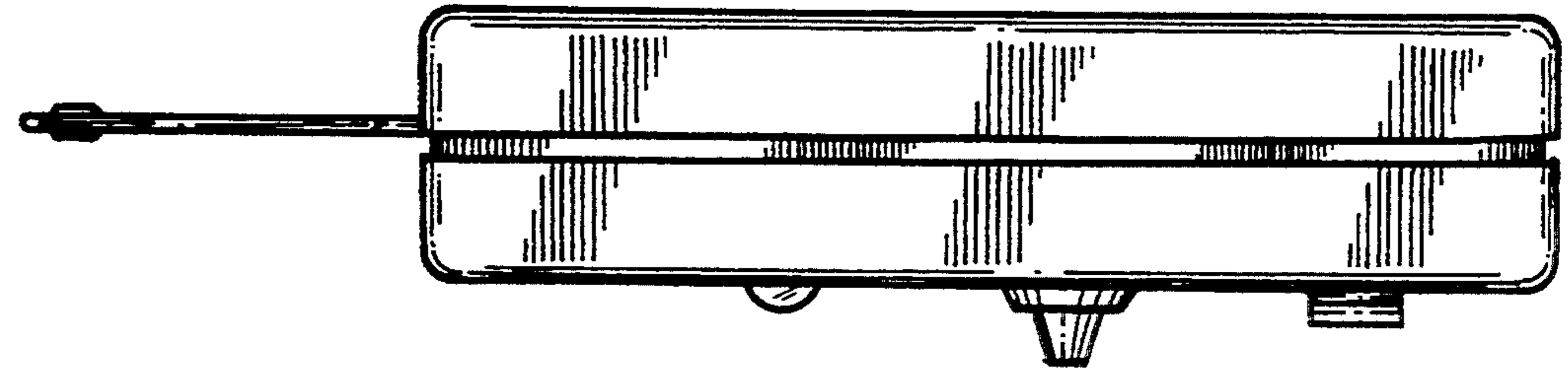


FIG. 2.

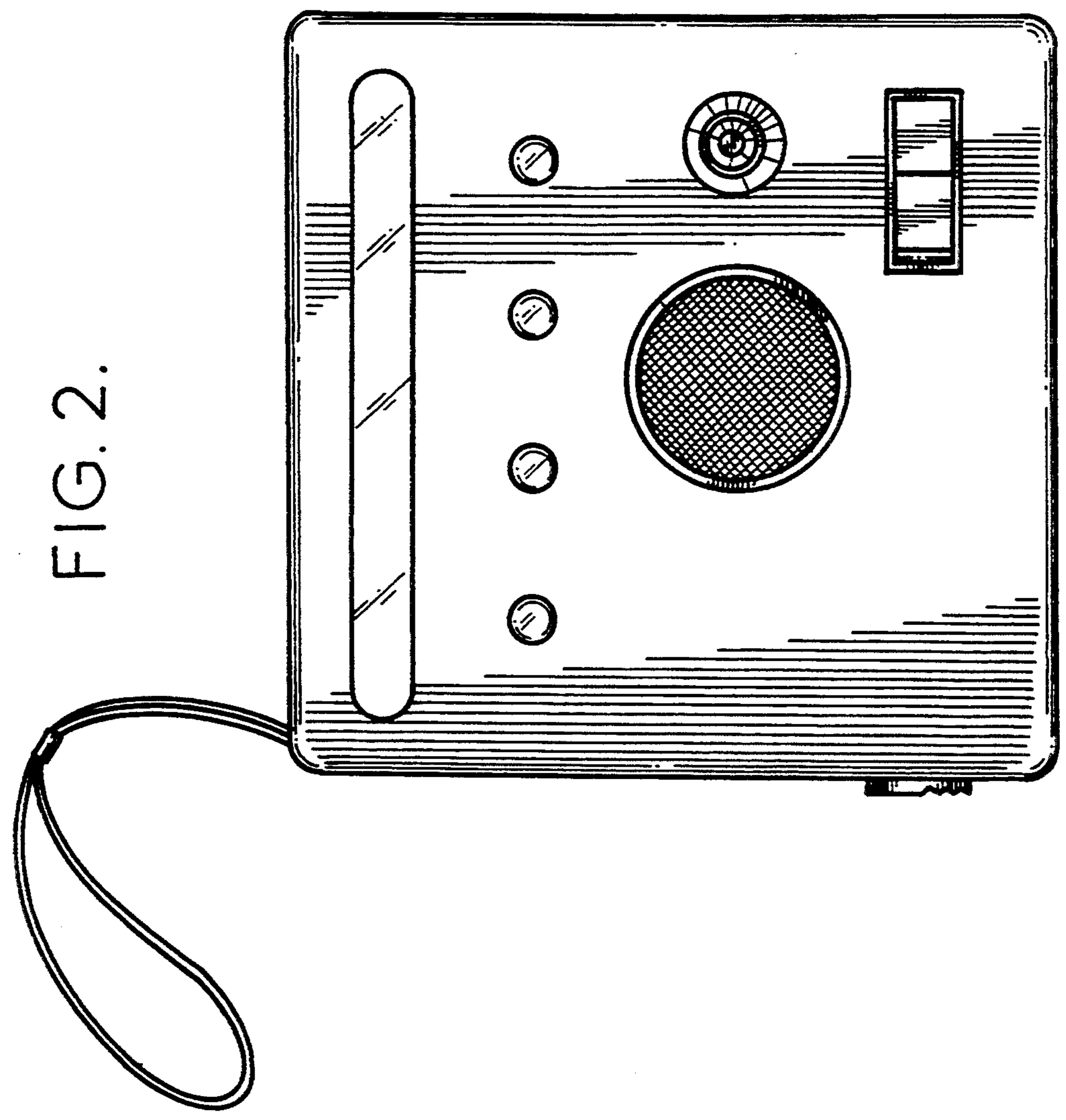


FIG. 5

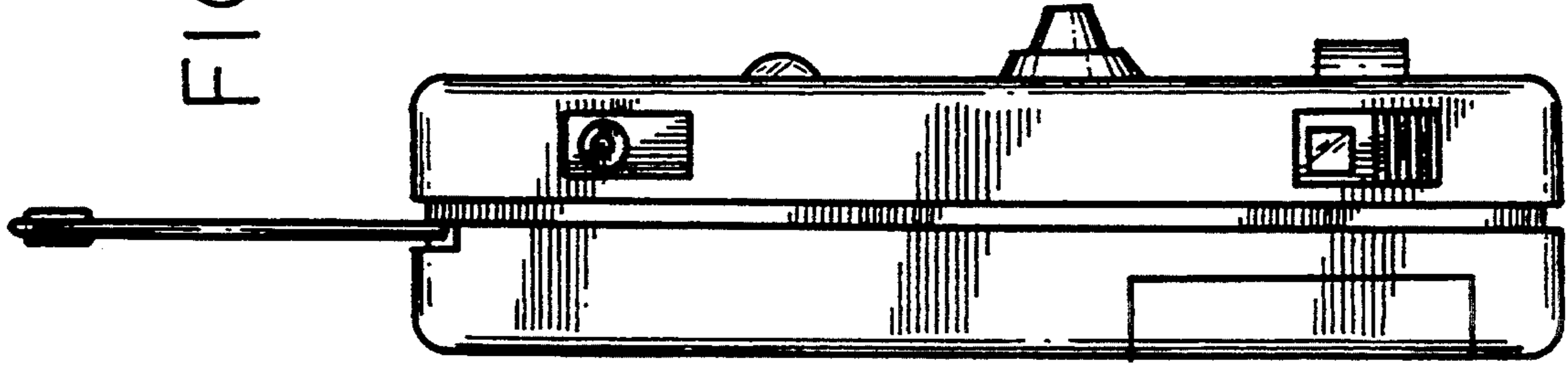
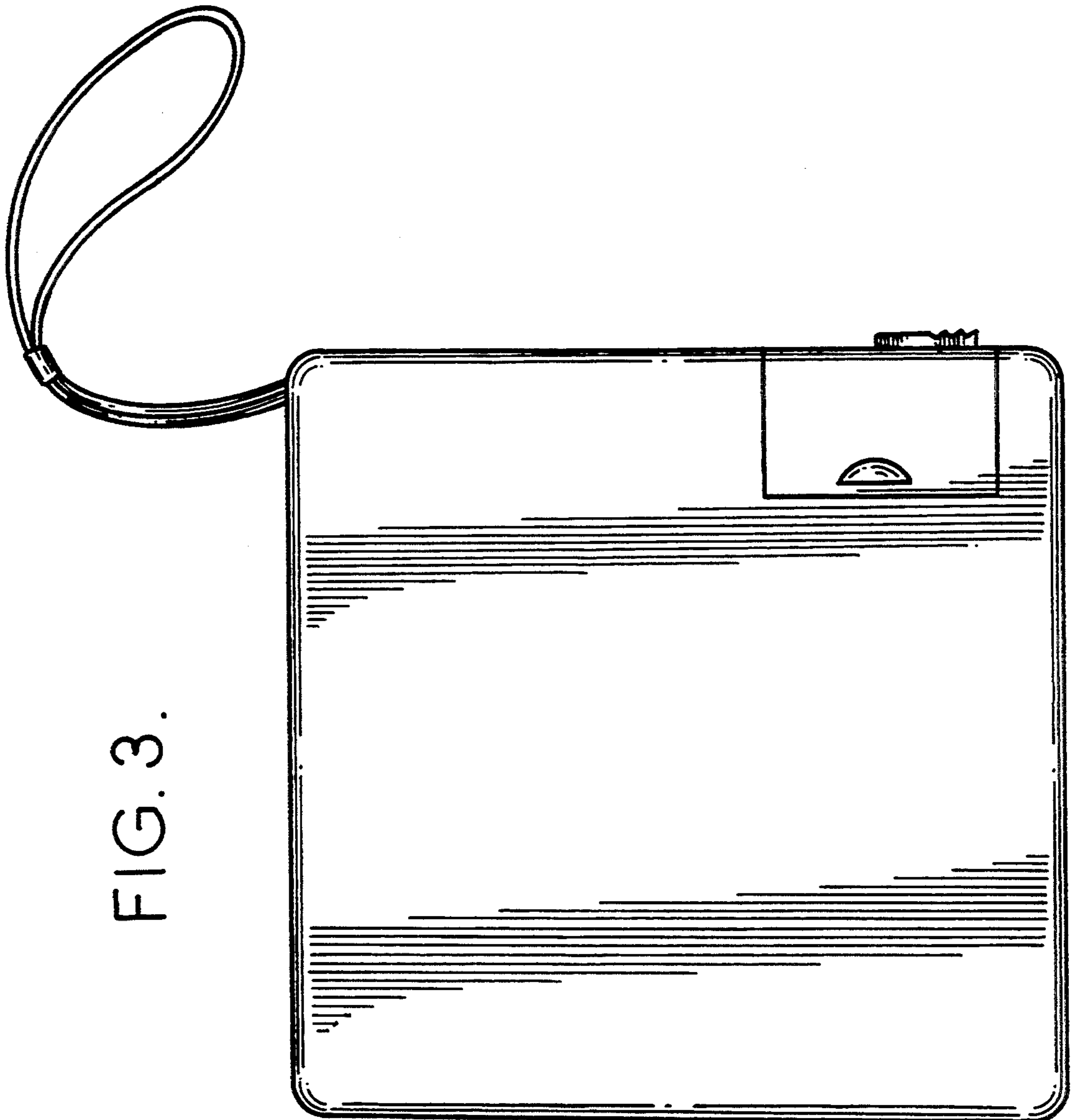


FIG. 3.



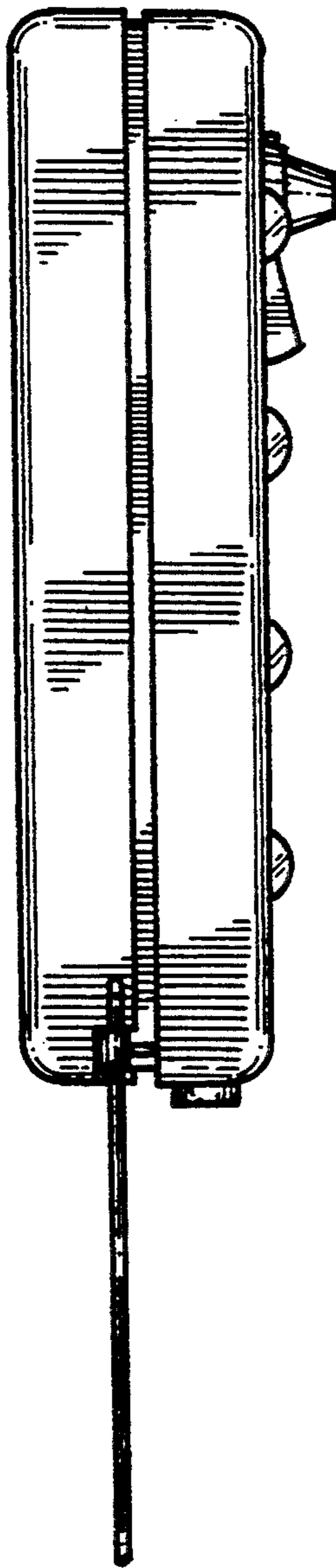


FIG. 6.