



US00D358773S

United States Patent [19]

Sutherland

[11] Patent Number: **Des. 358,773**

[45] Date of Patent: **** May 30, 1995**

[54] **ALARM CLOCK**

[76] Inventor: **William D. Sutherland**, P.O. Box 610
Berrong St., Hiawassee, Ga.
30546-0610

[**] Term: **14 Years**

[21] Appl. No.: **12,279**

[22] Filed: **Aug. 30, 1993**

[52] U.S. Cl. **D10/2; D10/6**

[58] Field of Search **D14/165-157,**
D14/160-163, 170-172, 188, 189, 192, 195;
D10/2.6; 455/344, 345, 347; 312/7.1

[56] **References Cited**

U.S. PATENT DOCUMENTS

- D. 230,281 2/1974 Tatsuta et al. D14/162
- D. 238,856 2/1976 Koplan D10/6
- D. 280,402 9/1985 Brown .
- D. 315,349 3/1991 Tsuji D14/189 X

D. 316,548 4/1991 Yeung .

D. 323,655 2/1992 Bethea .

2,487,013 11/1949 Zibelman 312/7.1 X

3,316,357 4/1967 Ham, Jr. et al. D14/155 X

Primary Examiner—Terry A. Wallace

Assistant Examiner—Dominic Simone

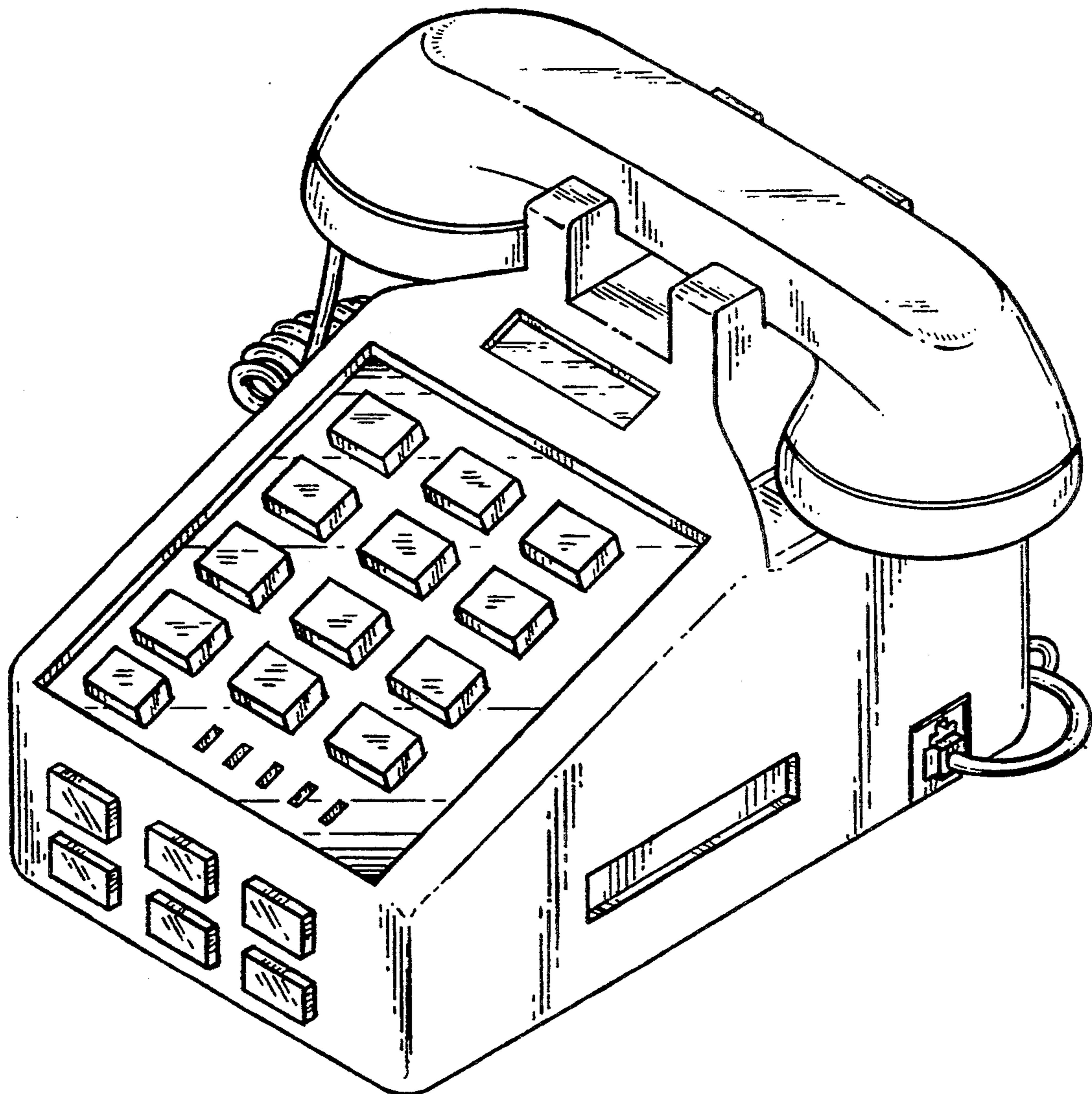
Attorney, Agent, or Firm—Terry M. Gernstein

[57] **CLAIM**

The ornamental design for a alarm clock, as shown and described.

DESCRIPTION

FIG. 1 is a front, top and side perspective view of the alarm clock showing my new design;
 FIG. 2 is a front elevational view thereof;
 FIG. 3 is a rear elevational view thereof;
 FIG. 4 is a left side elevational view thereof;
 FIG. 5 is a right side elevational view thereof;
 FIG. 6 is a top plan view thereof; and,
 FIG. 7 is a bottom plan view thereof.



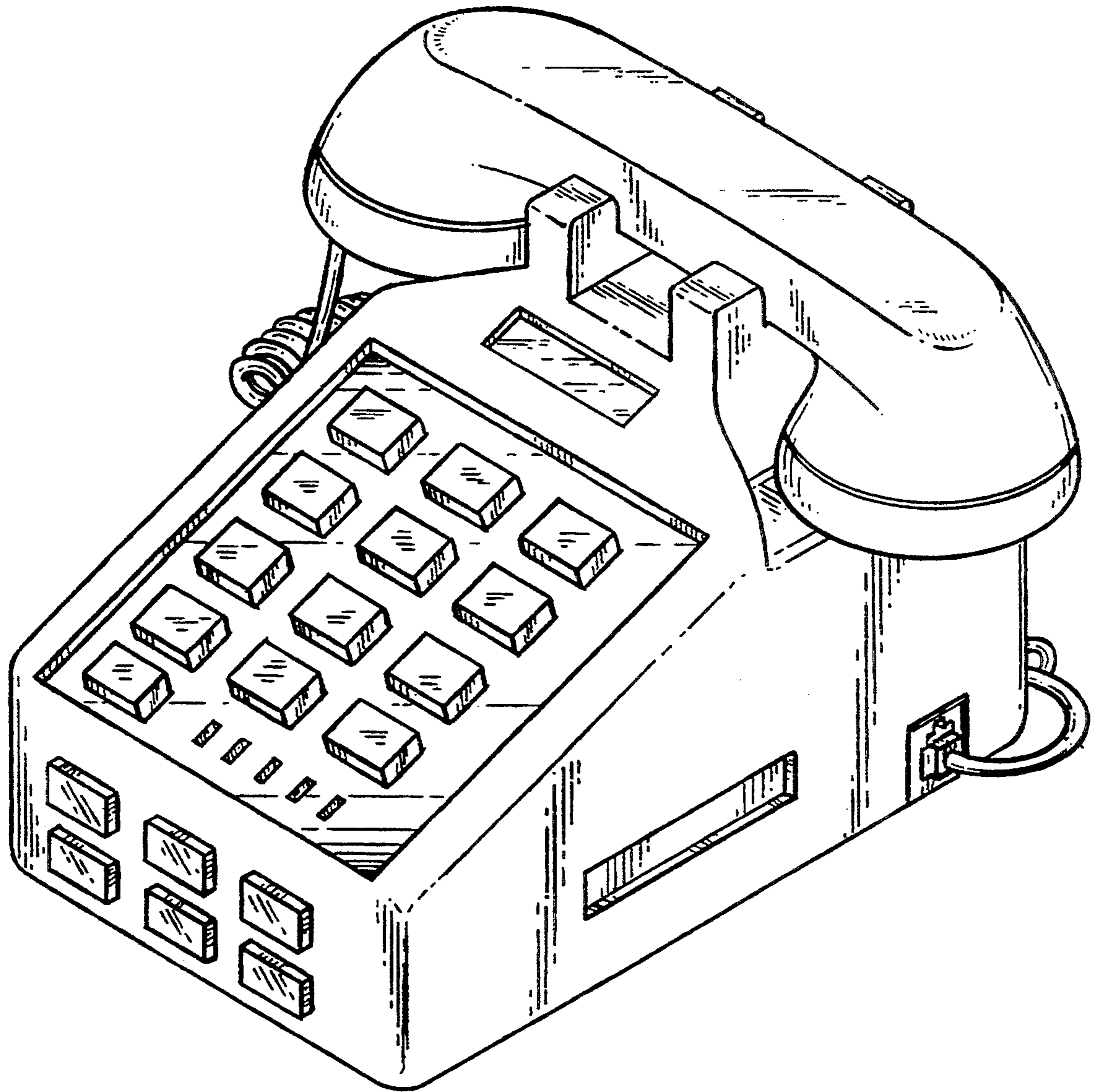


FIG. 1

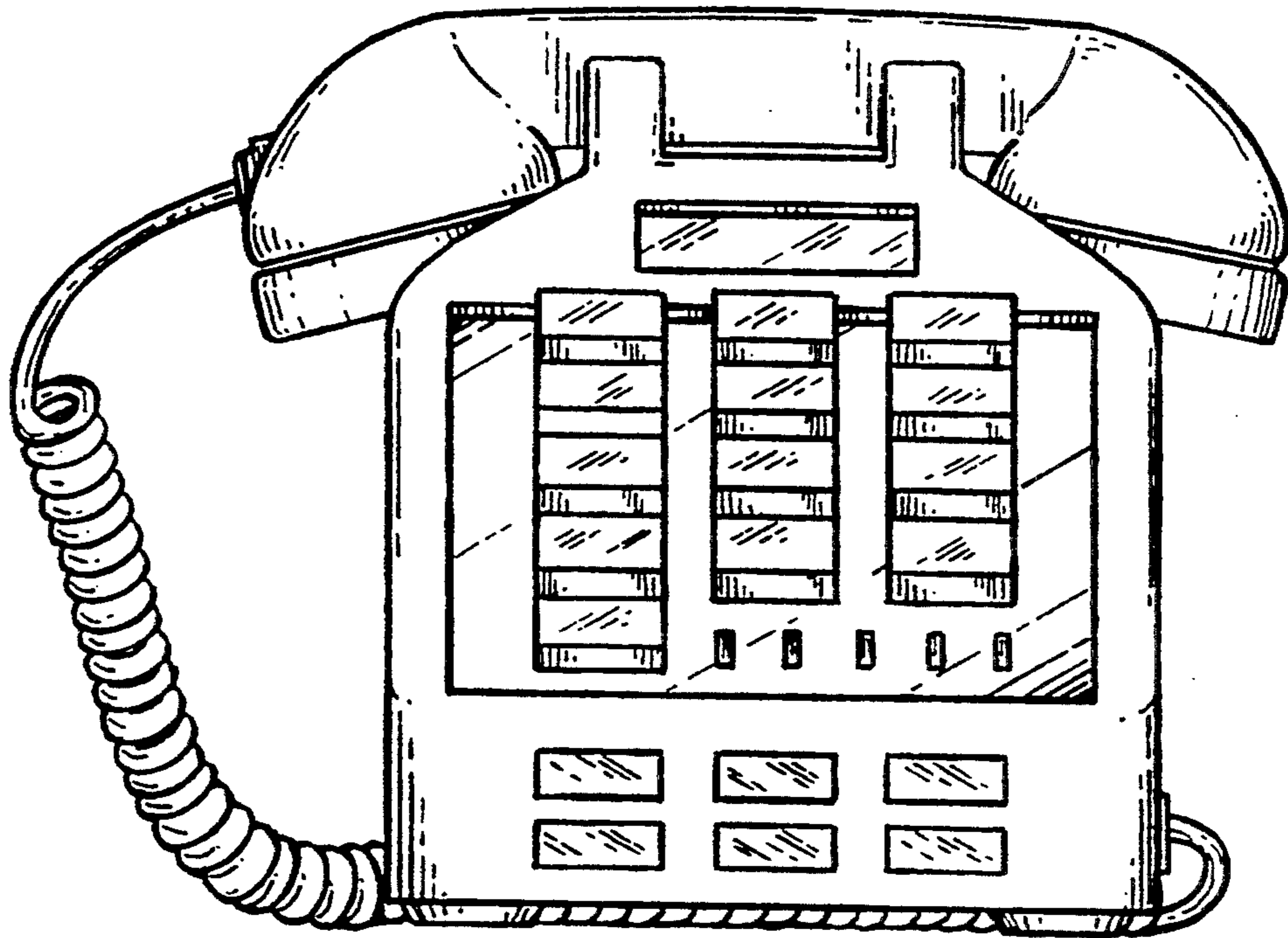


FIG. 2

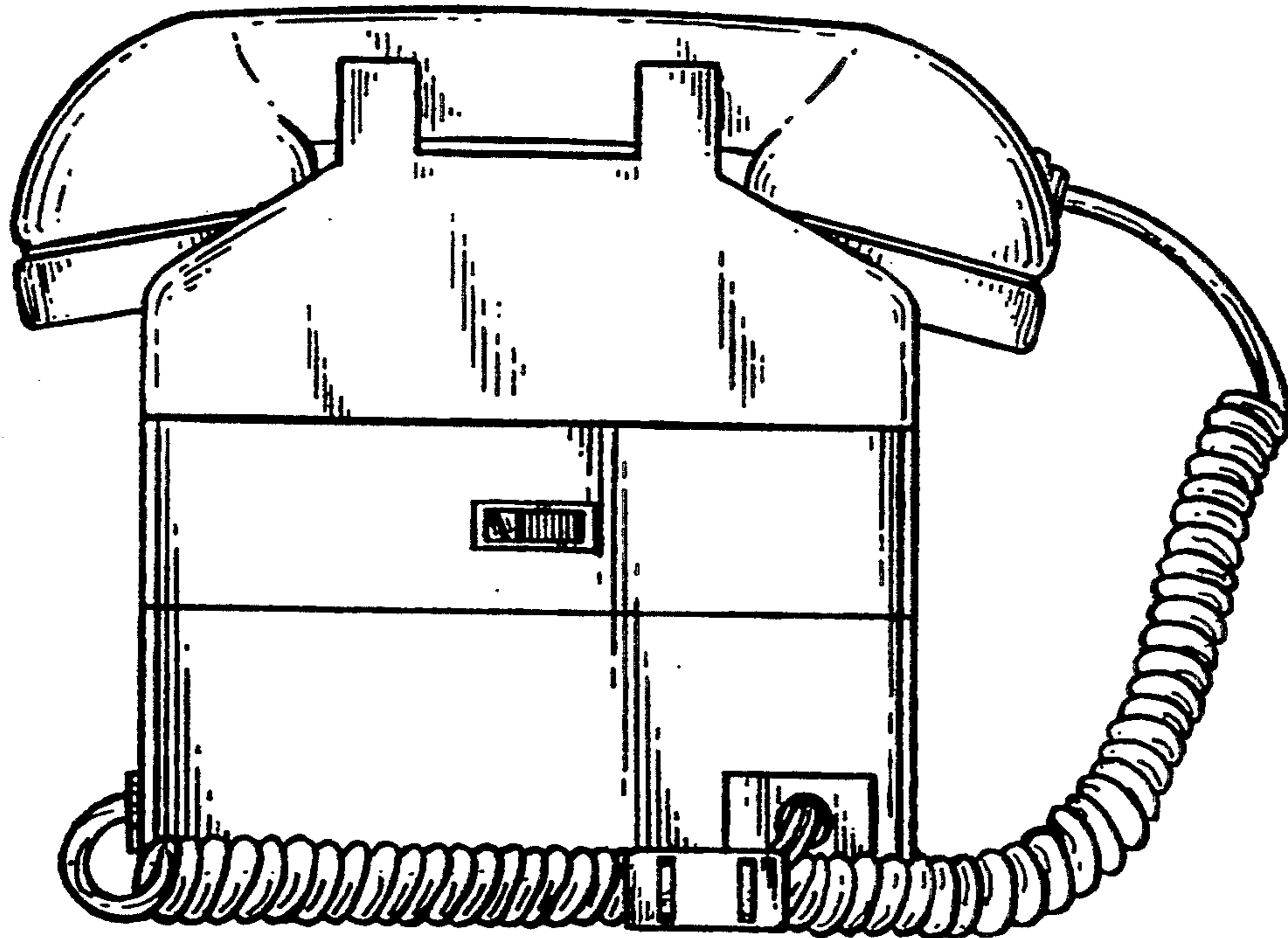


FIG. 3

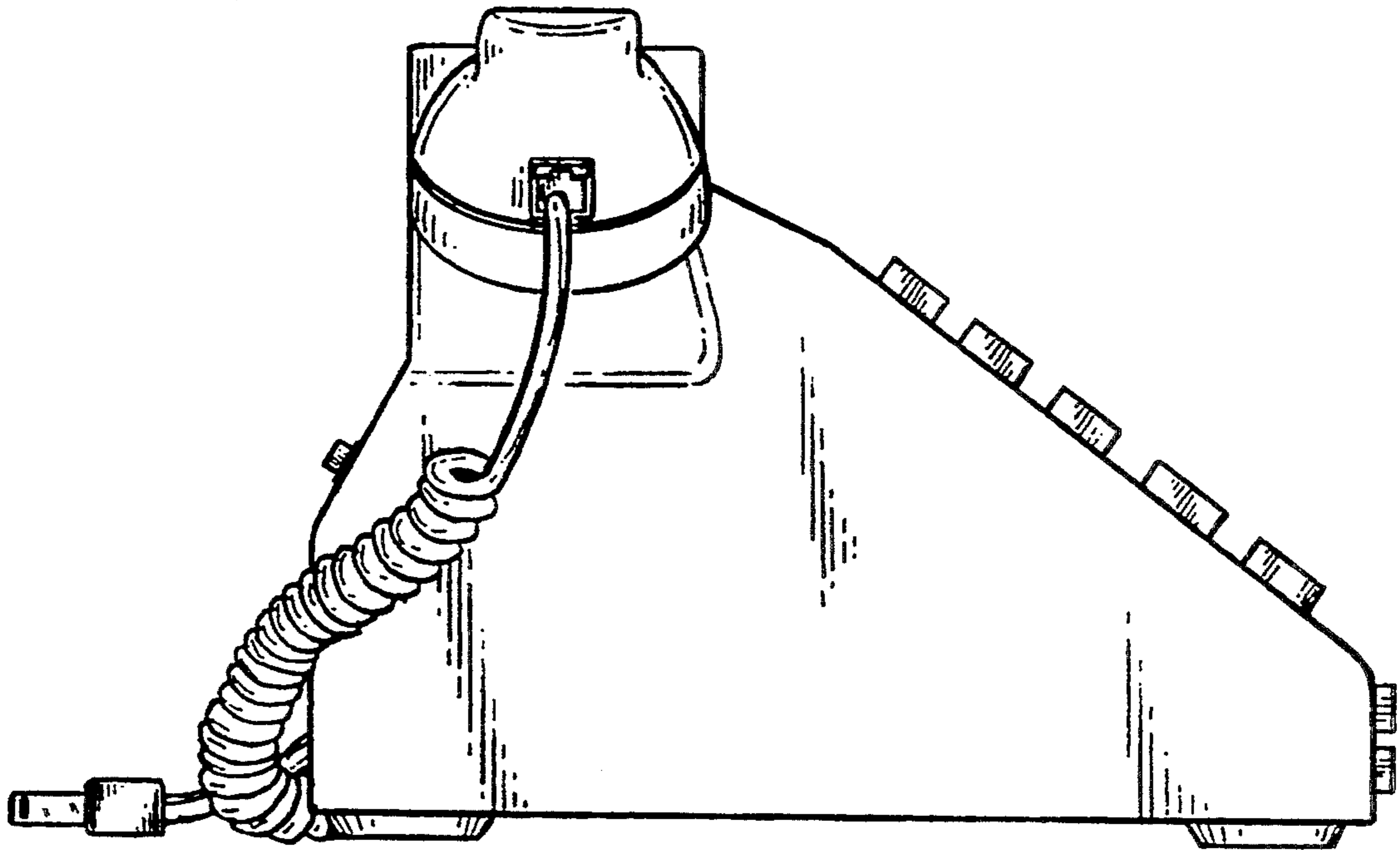


FIG. 4

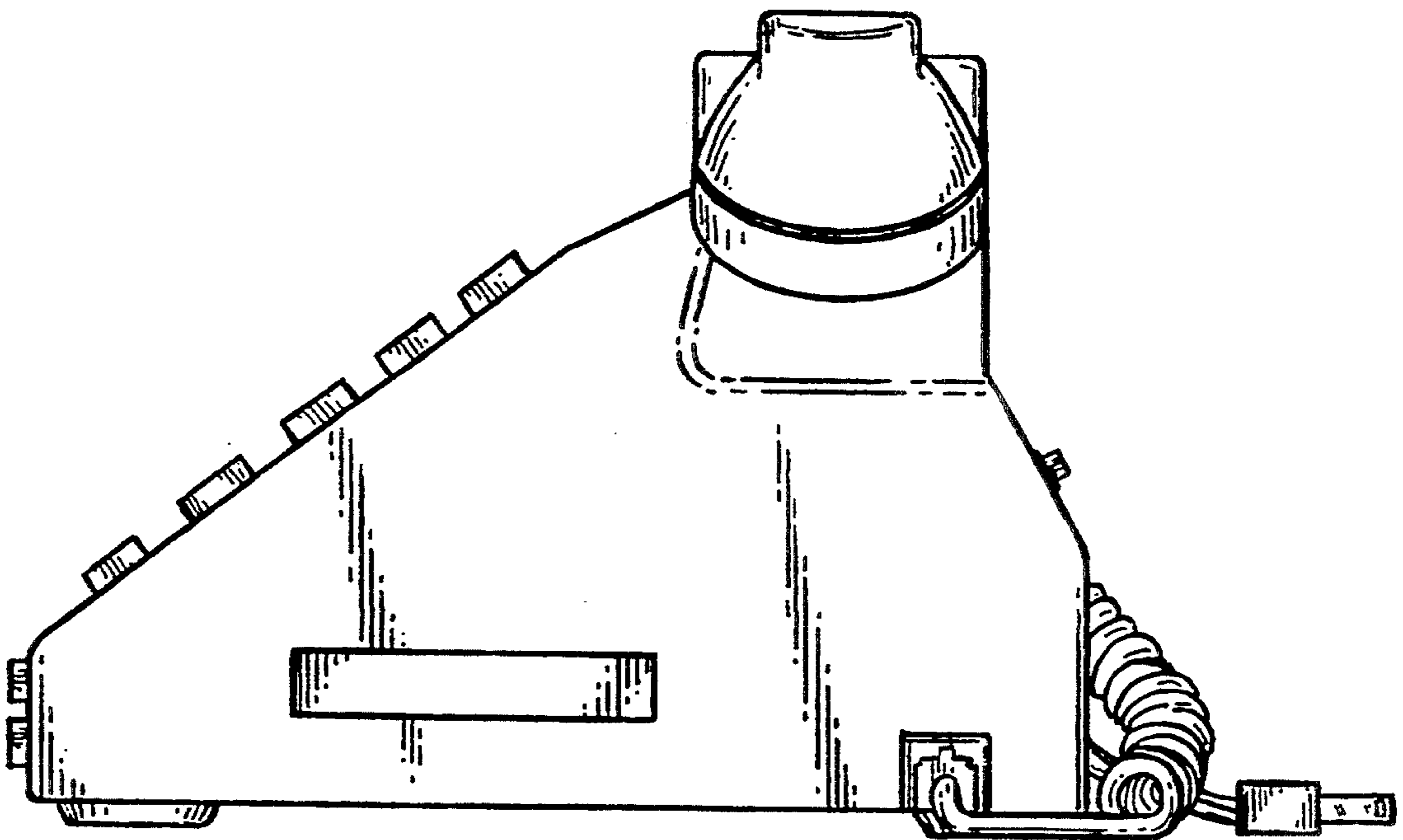


FIG. 5

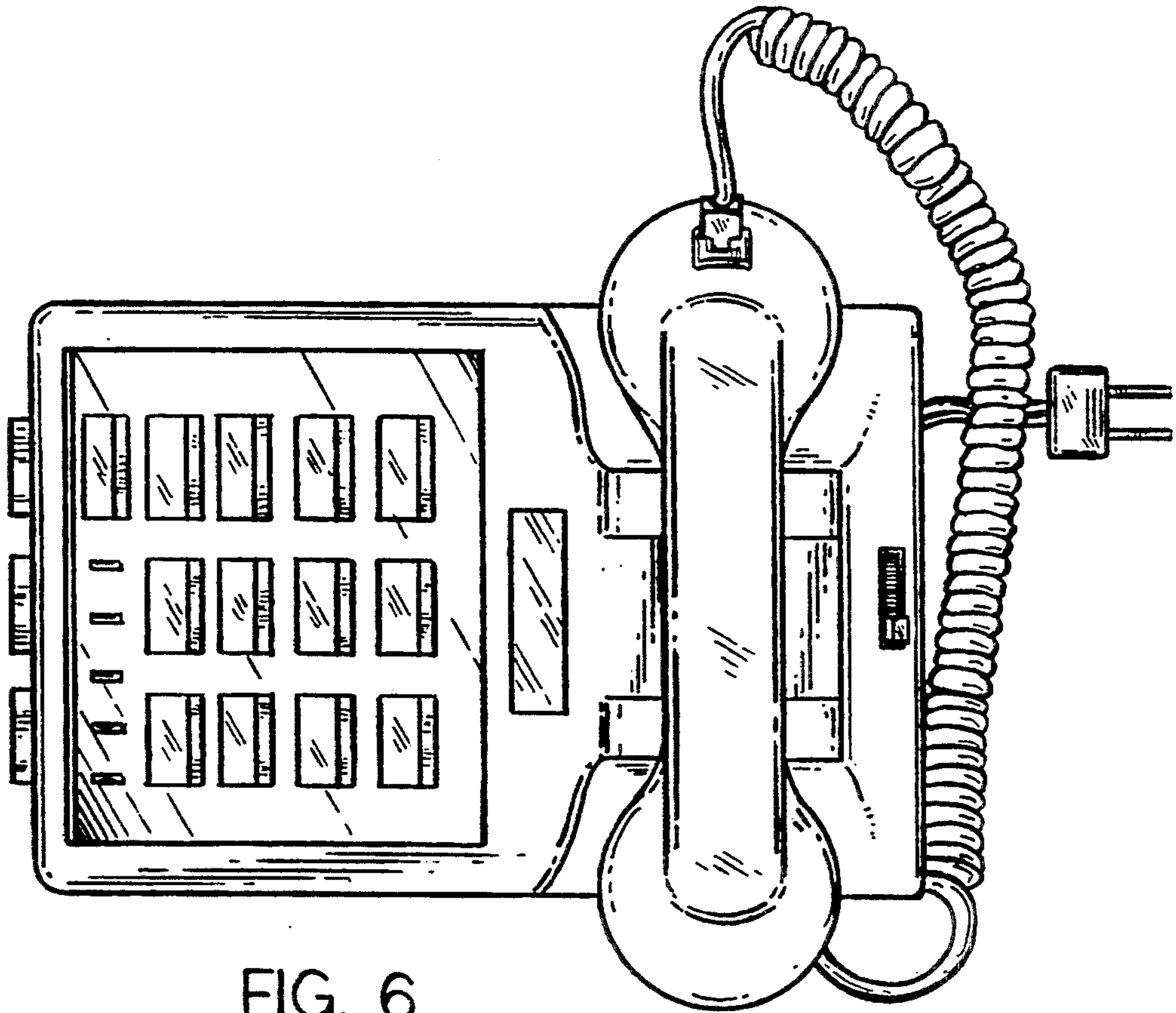


FIG. 6

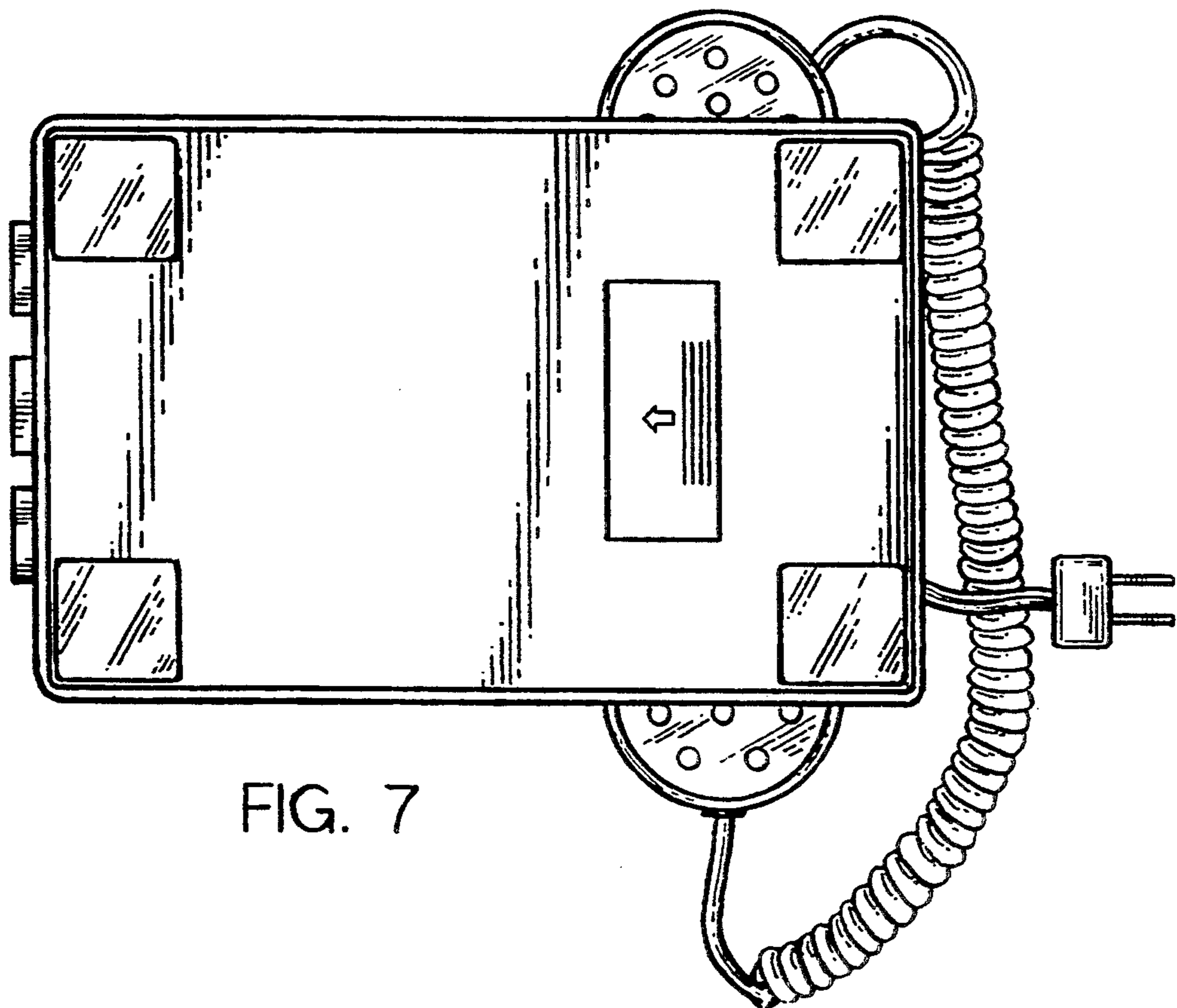


FIG. 7