



US00D358771S

# United States Patent [19]

[11] Patent Number: **Des. 358,771**

Hotz

[45] Date of Patent: **\*\* May 30, 1995**

[54] **CONTAINER SPOUT**

[75] Inventor: **Jean-Marie Hotz, Prèles, Switzerland**

[73] Assignee: **Tetra Laval Holdings & Finance S.A., Pully, Switzerland**

[\*\*] Term: **14 Years**

[21] Appl. No.: **918,379**

[22] Filed: **Jul. 24, 1992**

[30] **Foreign Application Priority Data**

Jan. 24, 1992 [CH] Switzerland ..... 119 527

[52] U.S. Cl. .... **D9/447**

[58] Field of Search ..... D9/300, 434-436, D9/440, 444-447, 449, 499; D34/11; 215/317, 321; 220/259, 334, 340, 375; 222/569

[56] **References Cited**

**U.S. PATENT DOCUMENTS**

D. 47,182 4/1915 Danziger ..... D9/300  
D. 91,630 2/1934 Klein et al. .... D9/499

D. 259,169 5/1981 Bogner ..... D34/11  
3,255,928 6/1966 Foster ..... 215/321 X  
4,669,640 6/1987 Ando et al. .... 222/569 X  
4,795,065 1/1989 Ashizawa et al. .... D9/447 X

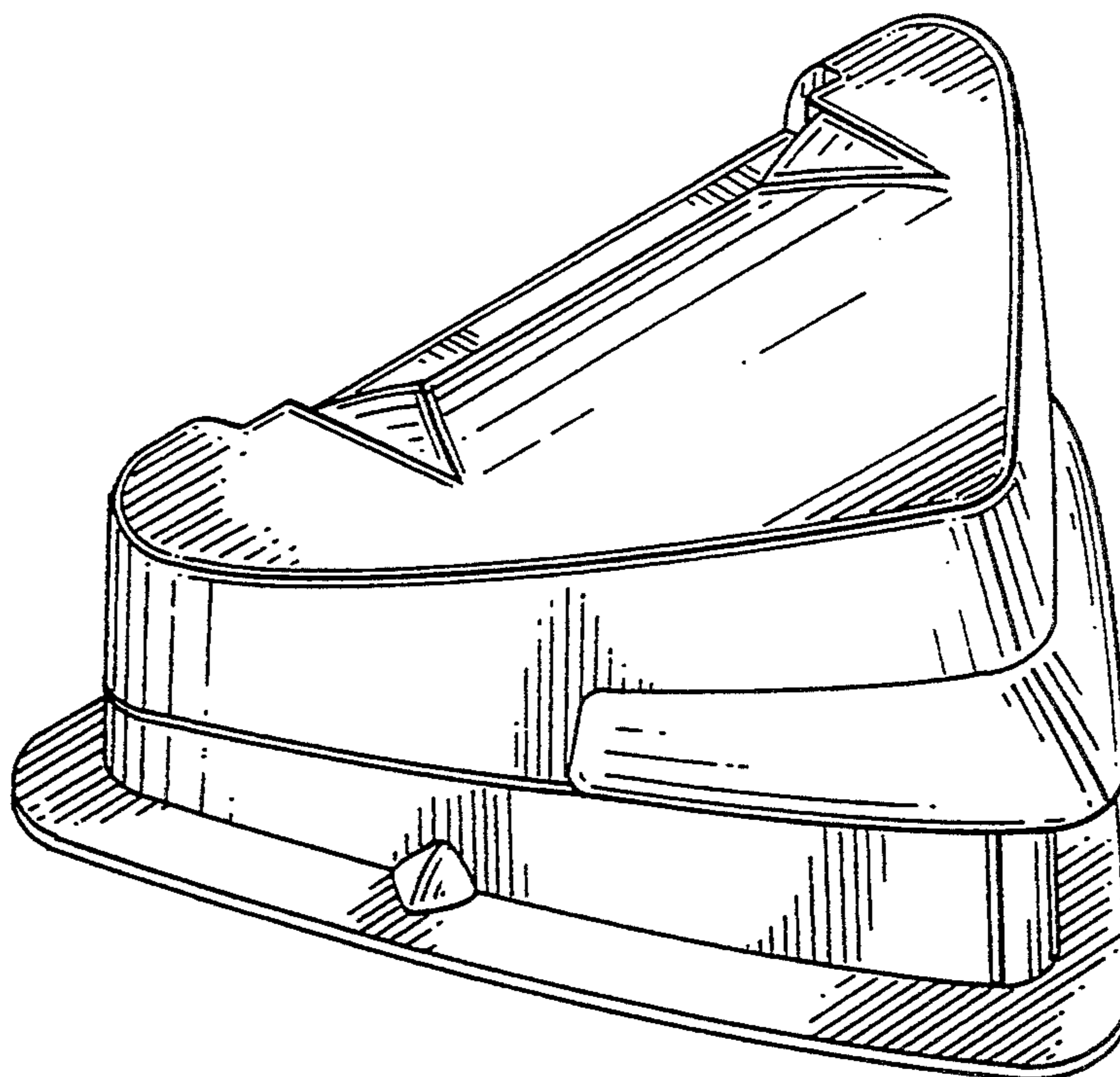
*Primary Examiner*—Alan P. Douglas  
*Assistant Examiner*—R. Spear  
*Attorney, Agent, or Firm*—Armstrong, Westerman, Hattori, McLeland & Naughton

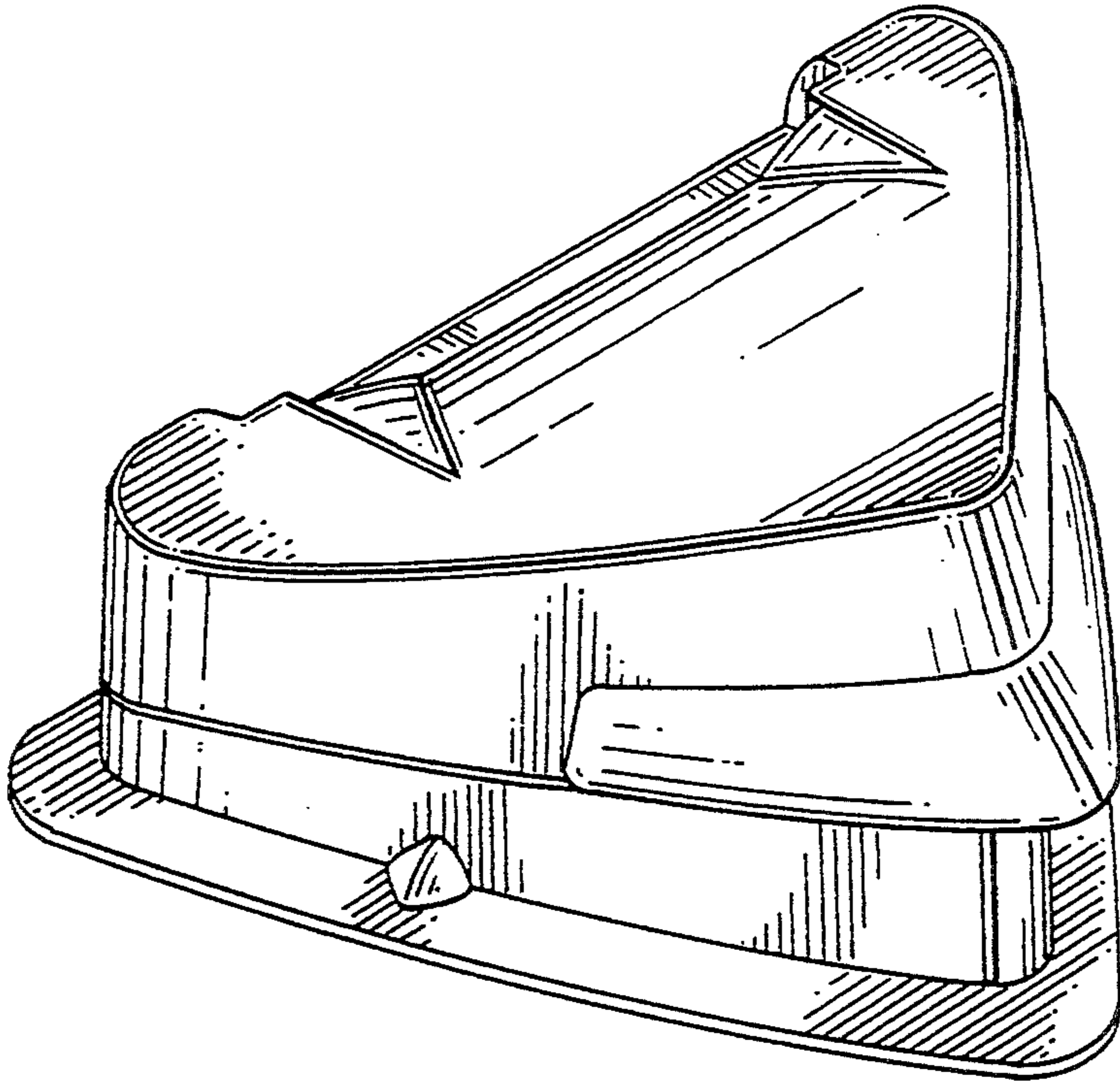
[57] **CLAIM**

The ornamental design of a container spout, as shown and described.

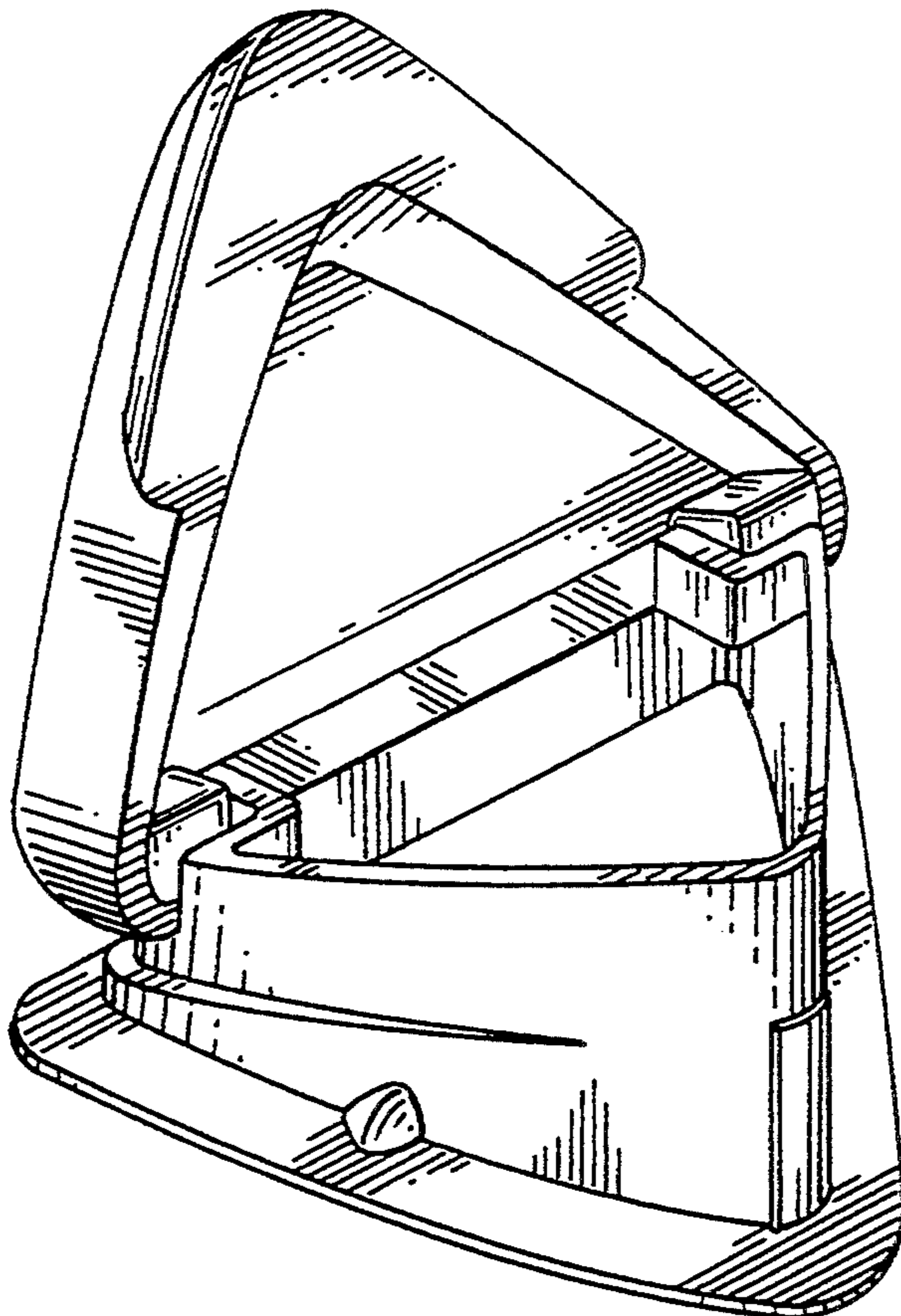
**DESCRIPTION**

FIG. 1 is a top left perspective view of a container spout showing a first embodiment of my new design, and showing the spout in a closed position;  
FIG. 2 is a perspective view, taken from the top right thereof showing the spout in the open position;  
FIG. 3 is a right side elevational view thereof, the left side being a mirror image;  
FIG. 4 is a front elevational view thereof;  
FIG. 5 is a rear elevational view thereof; and,  
FIG. 6 is a bottom view thereof.



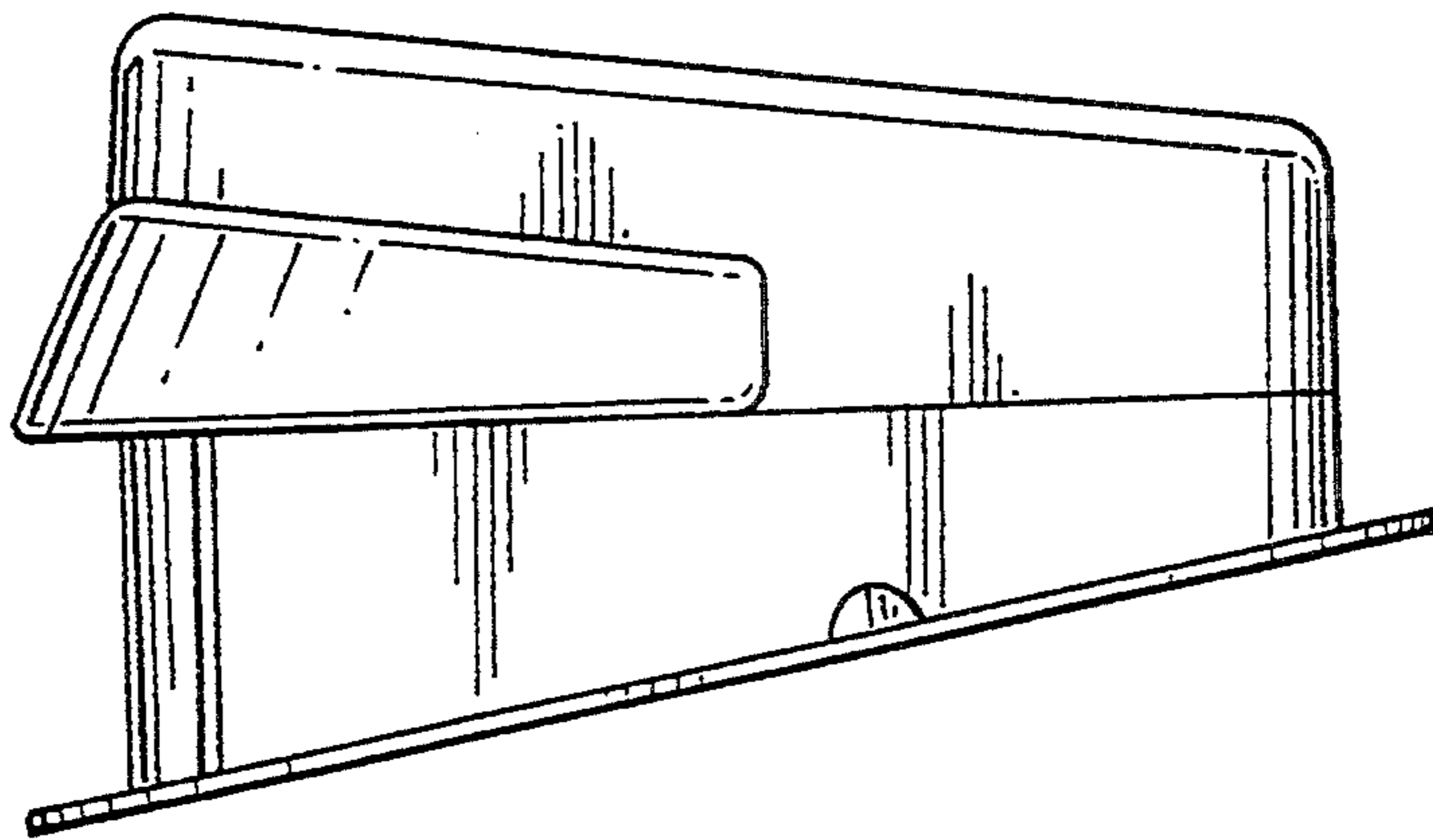


*FIG. 1*

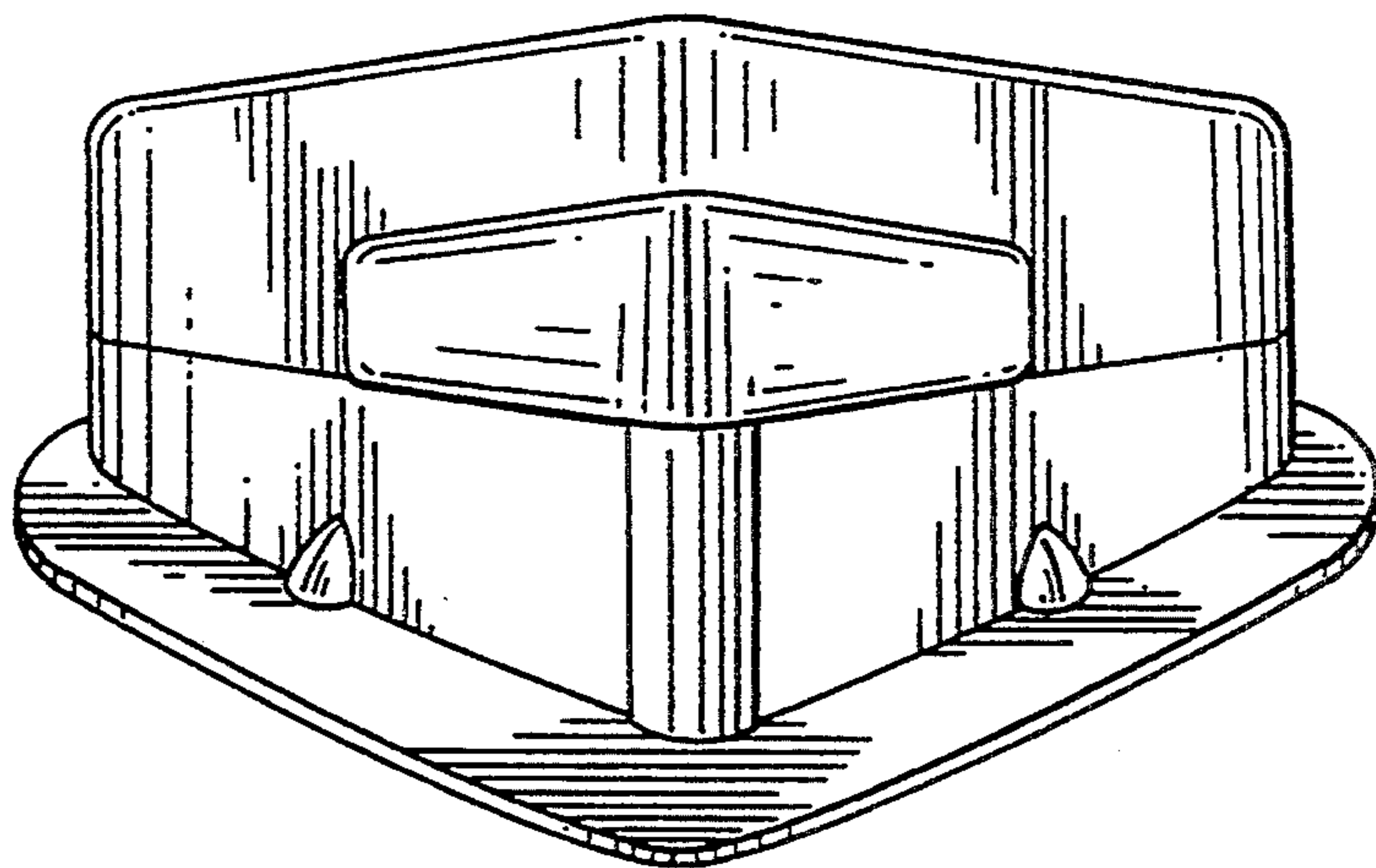


*FIG. 2*

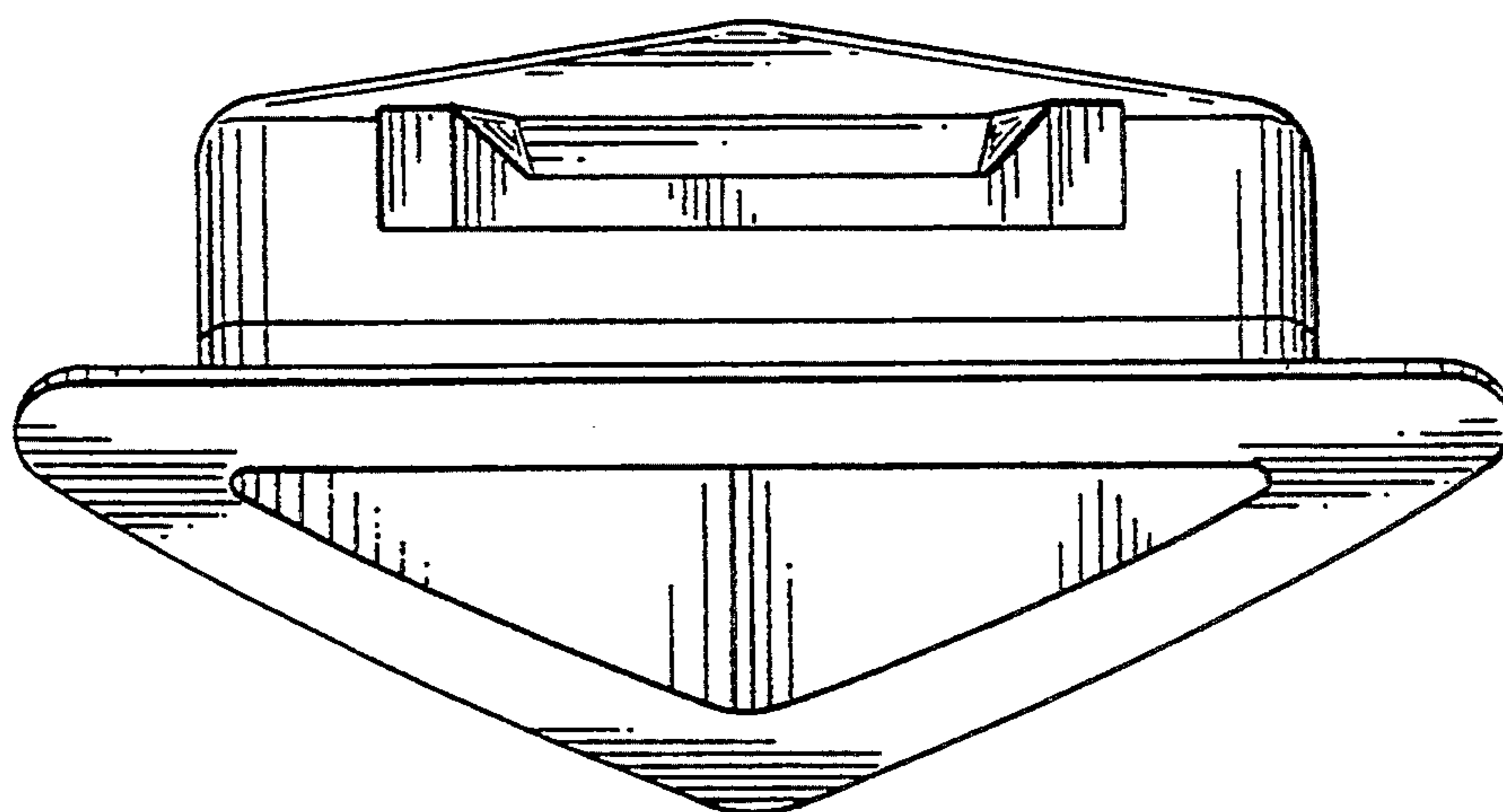
*FIG. 3*



*FIG. 4*



*FIG. 5*



*FIG. 6*

