



US00D358770S

United States Patent [19]

Hotz

[11] Patent Number: Des. 358,770

[45] Date of Patent: ** May 30, 1995

[54] CONTAINER SPOUT

[75] Inventor: **Jean-Marie Hotz**, Prèles, Switzerland

[73] Assignee: **Tetra Laval Holdings & Finance, S.A.**, Pully, Switzerland

[**] Term: **14 Years**

[21] Appl. No.: **918,229**

[22] Filed: **Jul. 24, 1992**

[30] Foreign Application Priority Data

Jan. 24, 1992 [CH] Switzerland 119.526

[52] U.S. Cl. **D9/447**

[58] Field of Search D9/300, 434-436, D9/440, 444-446, 447, 449, 499; D34/11; 215/317, 321; 220/259, 334, 340, 375; 222/569

[56] References Cited

U.S. PATENT DOCUMENTS

- D. 47,182 4/1915 Danziger D9/300
- D. 91,630 2/1934 Klein et al. D9/499
- D. 259,169 5/1981 Bogner D34/11

- 3,255,928 6/1966 Foster 215/321 X
- 4,669,640 6/1987 Ando et al. 222/569 X
- 4,795,065 1/1989 Ashizawa et al. D9/447 X

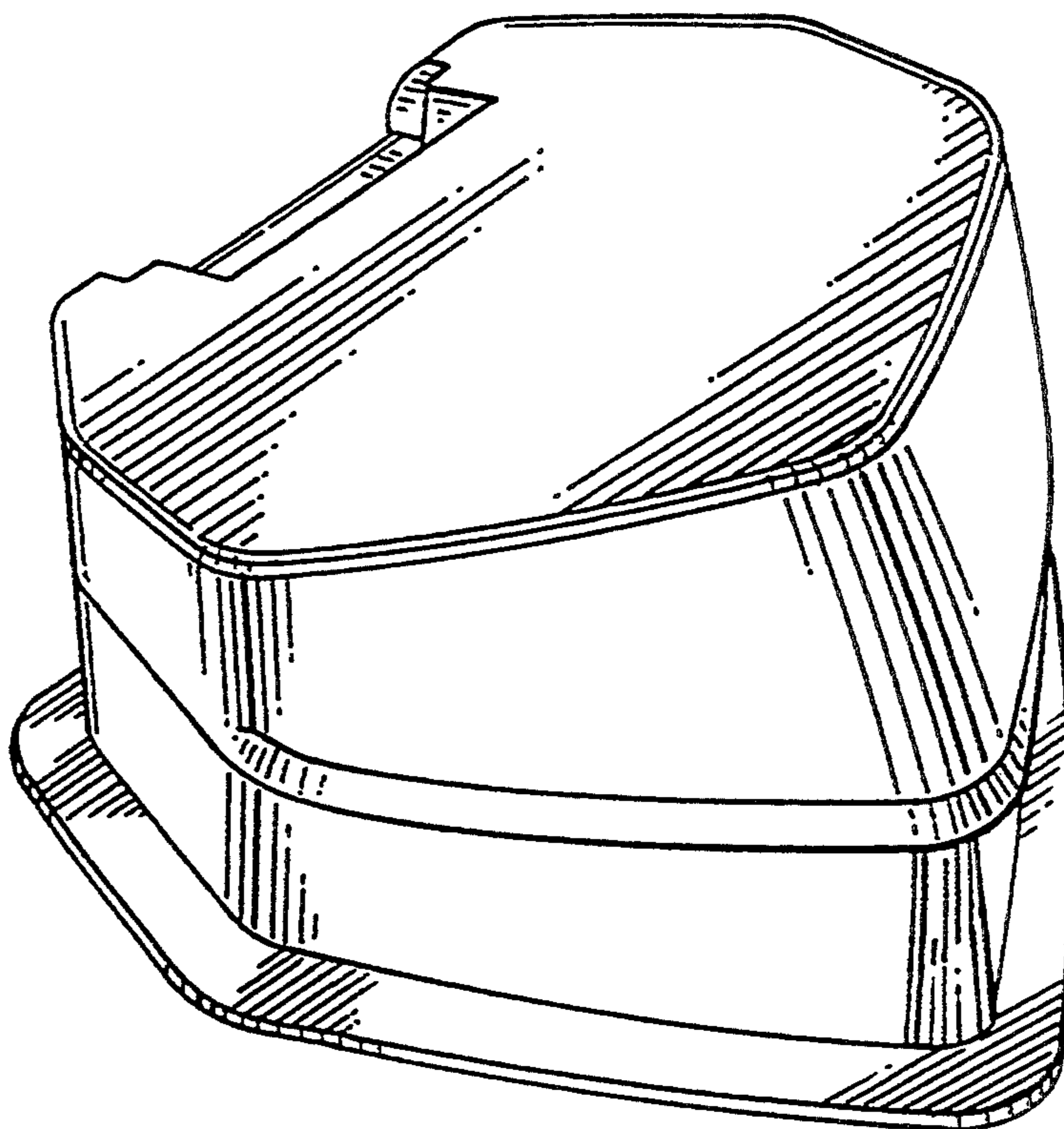
Primary Examiner—Alan P. Douglas
Assistant Examiner—R. Spear
Attorney, Agent, or Firm—Armstrong, Westerman, Hattori, McLeland & Naughton

[57] CLAIM

The ornamental design of a container spout, as shown and described.

DESCRIPTION

FIG. 1 is a top left perspective view of a container spout showing a first embodiment of my new design, and showing the spout in a closed position; FIG. 2 is a perspective view, taken from the top left thereof showing the spout in an open position; FIG. 3 is a right side elevational view thereof, the left side elevational view being a mirror image of the right side; FIG. 4 is a front elevational view thereof; FIG. 5 is a rear elevational view thereof; and, FIG. 6 is a bottom elevational view thereof.



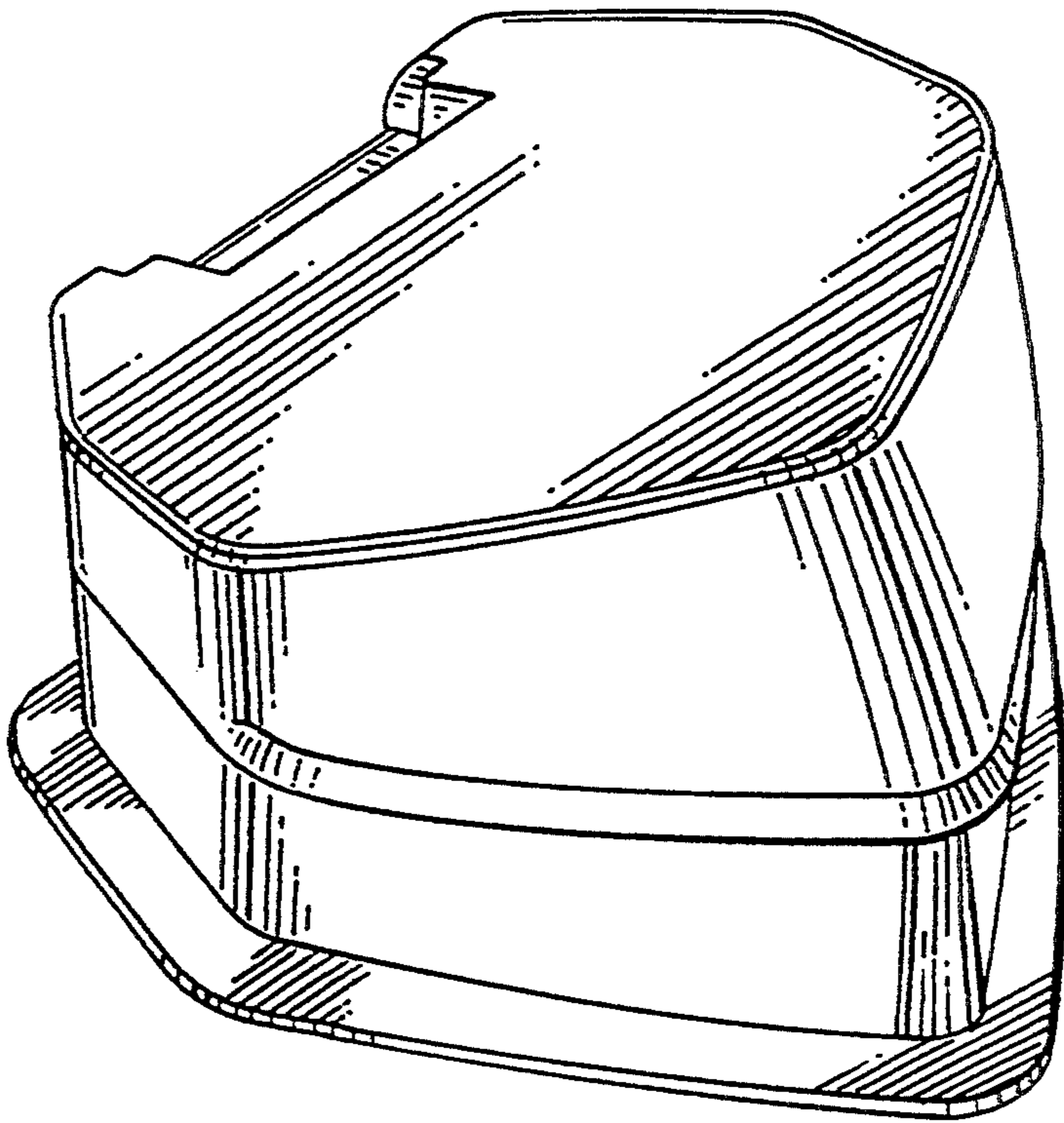


FIG. 1

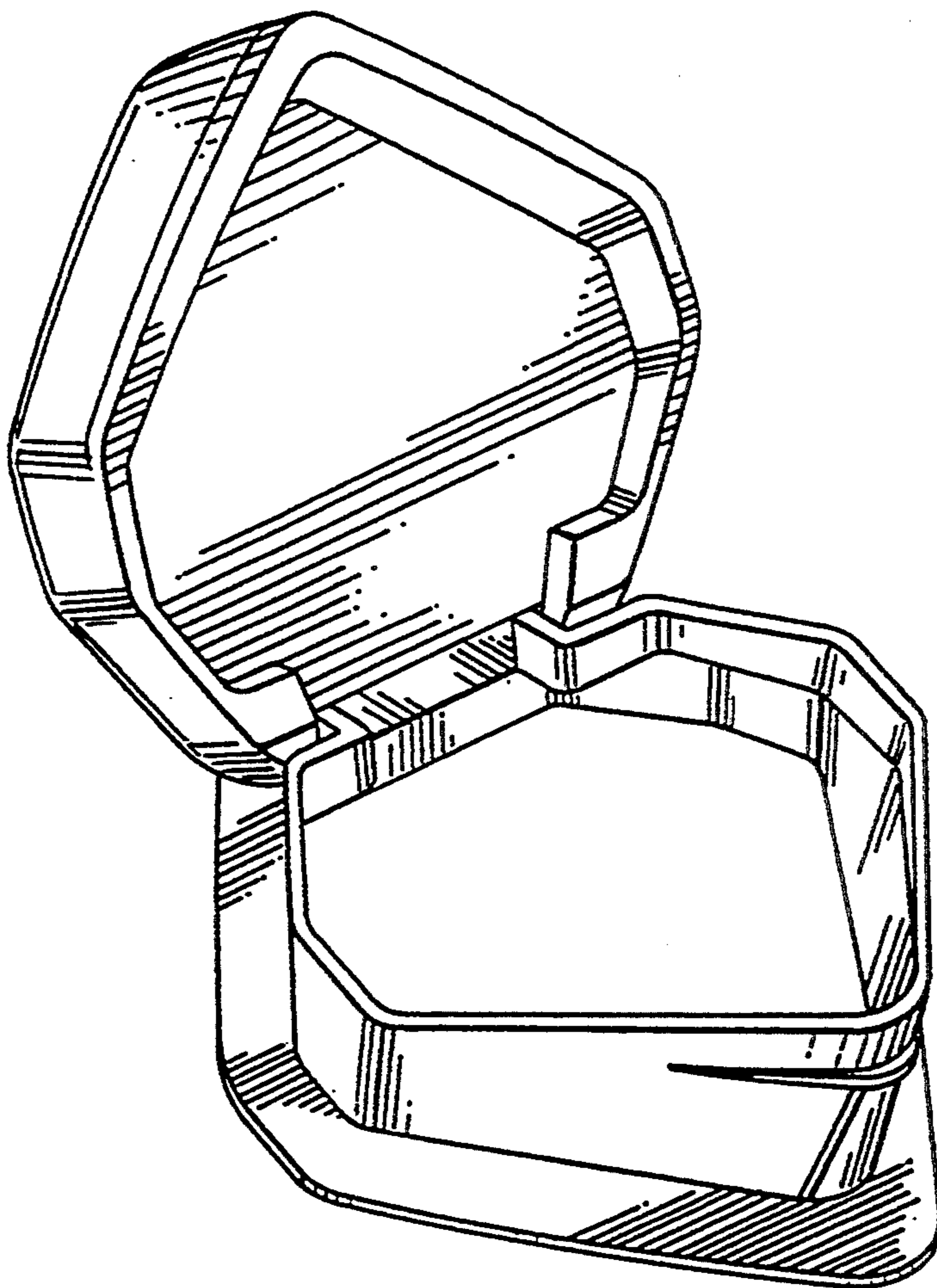


FIG. 2

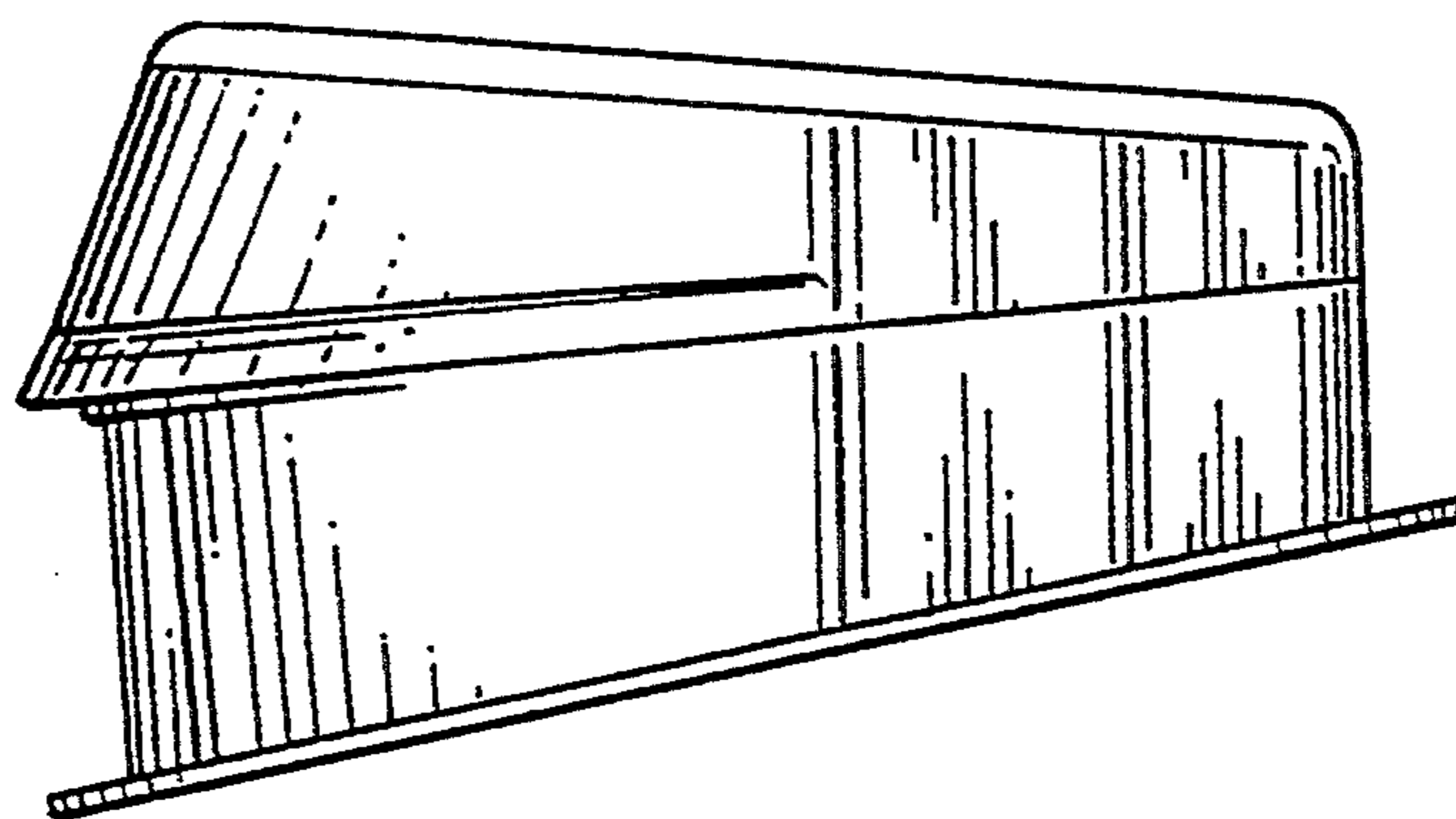


FIG. 3

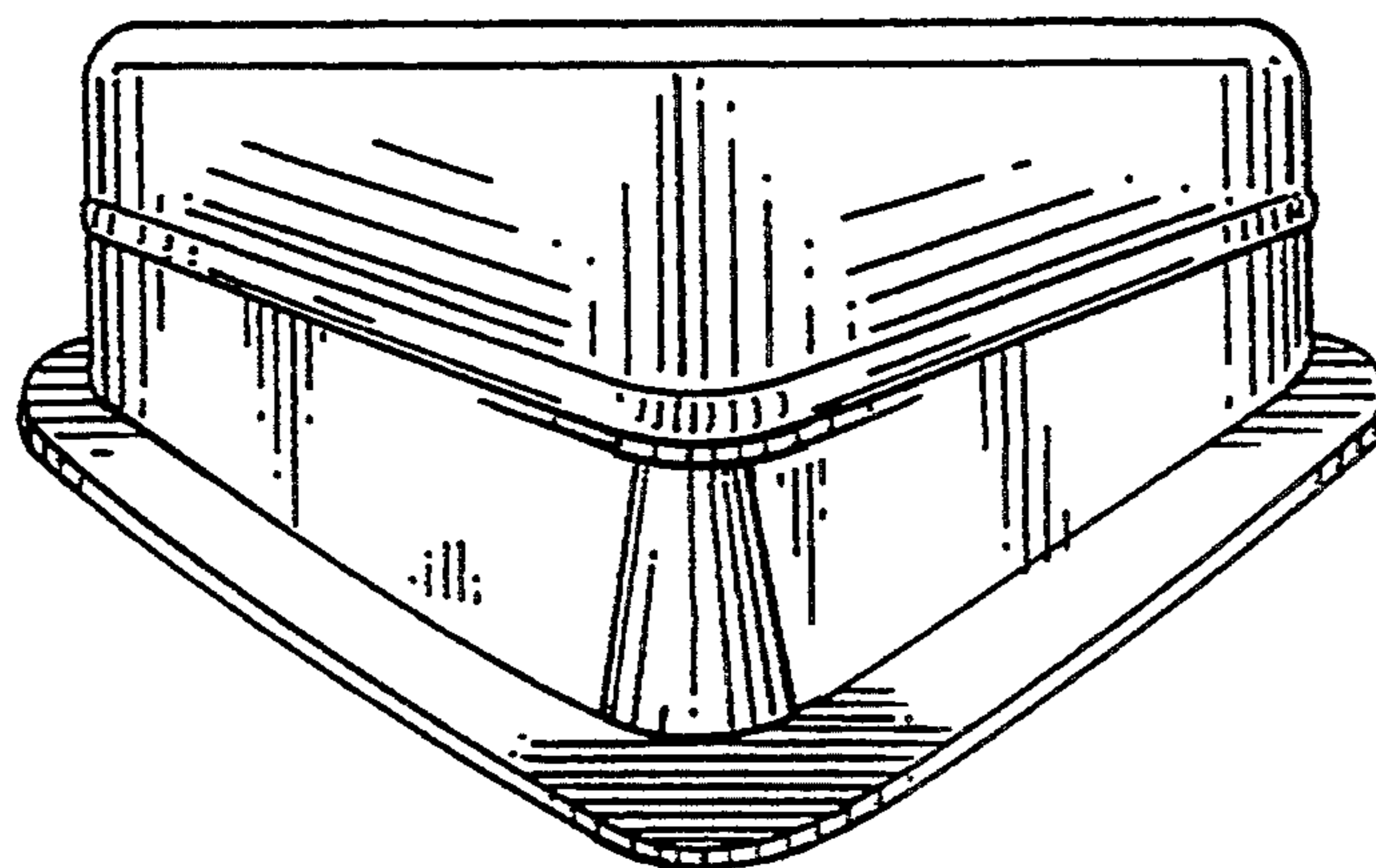


FIG. 4

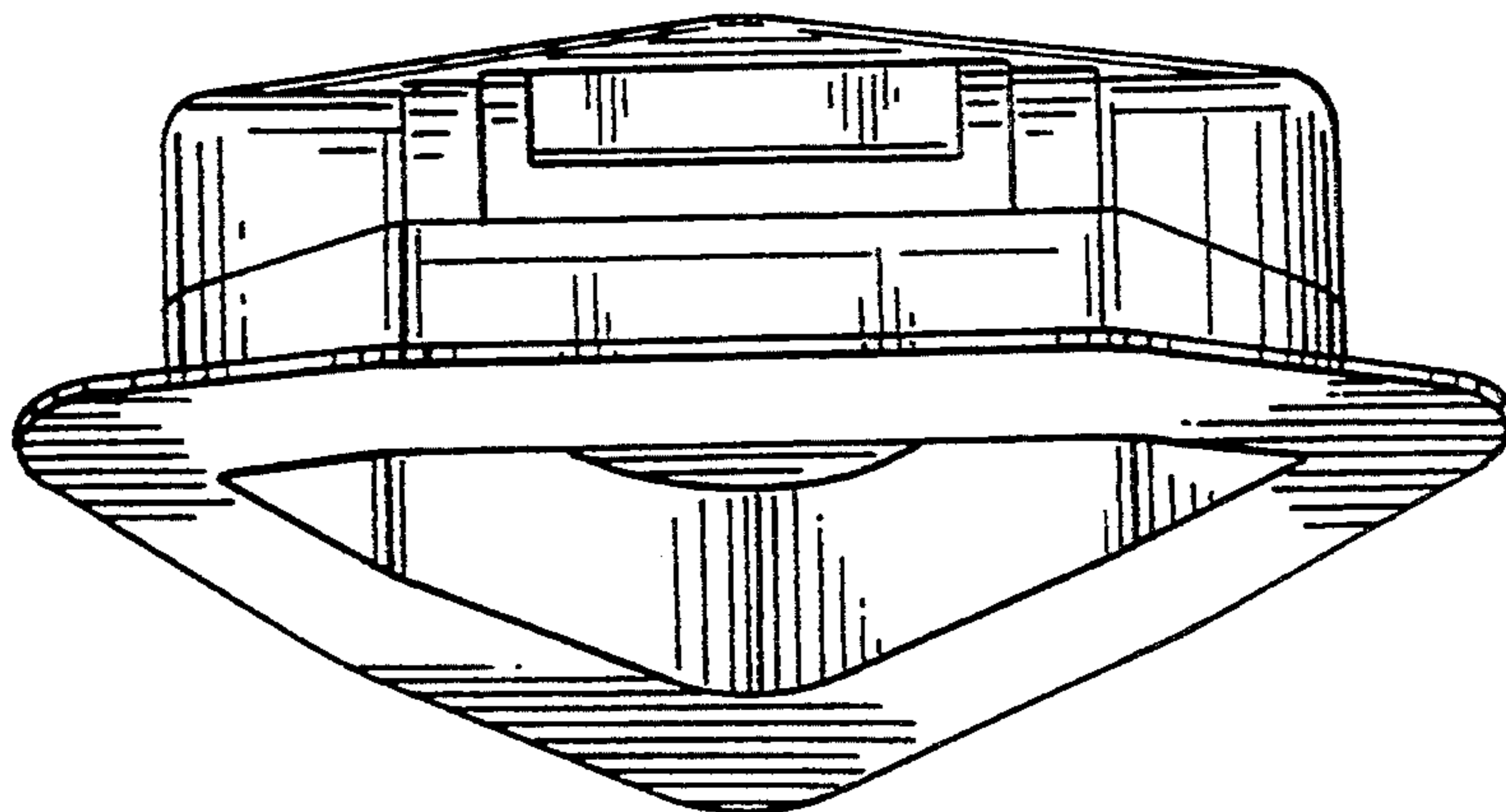


FIG. 5

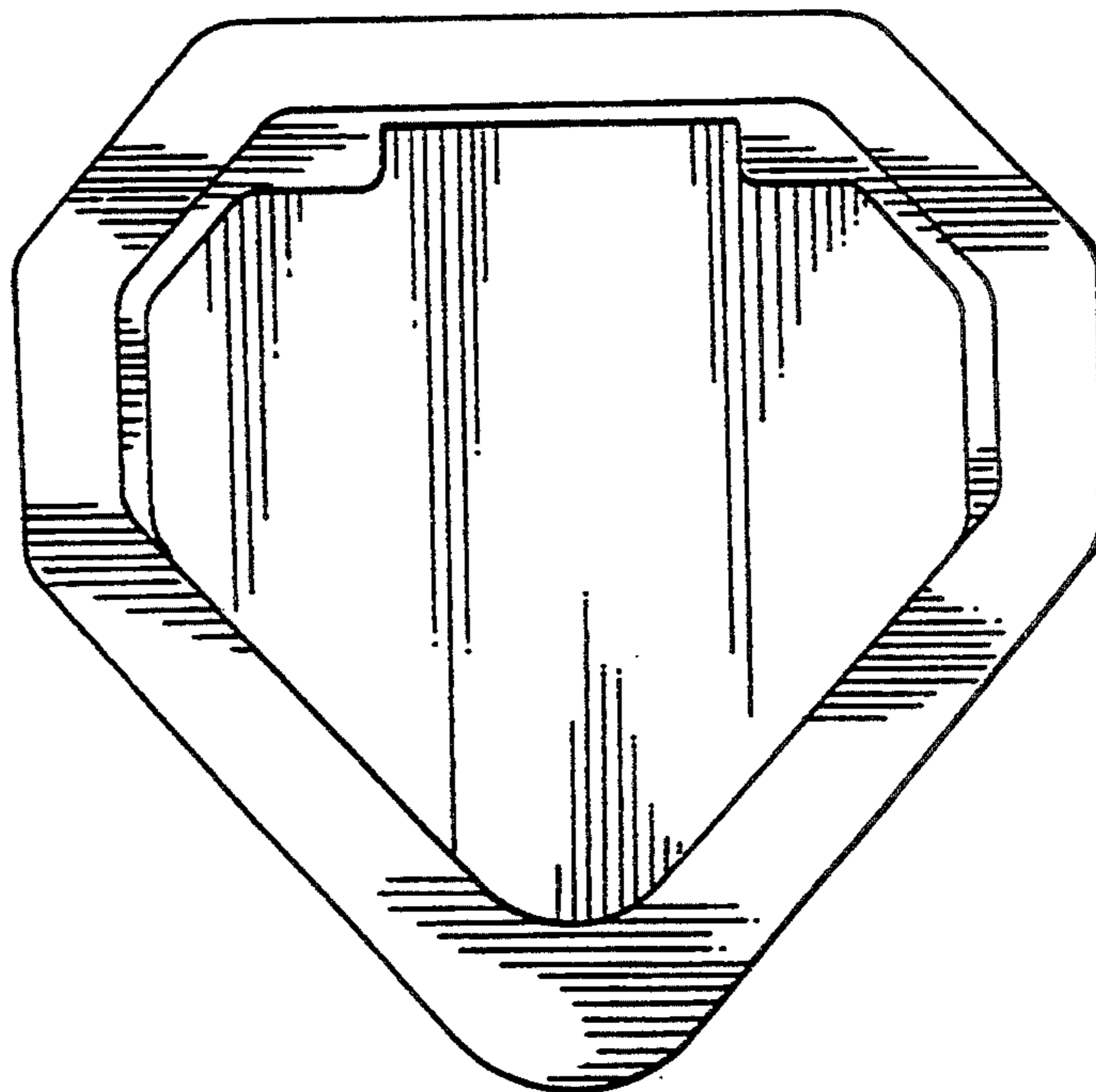


FIG. 6