



US00D358768S

# United States Patent [19]

[11] Patent Number: **Des. 358,768**

**Berggren**

[45] Date of Patent: **\*\* May 30, 1995**

[54] **LID FOR A FREIGHT BOX**

[75] Inventor: **Tony Berggren, Skillinge, Sweden**

[73] Assignee: **Aktiebolaget Volvo, Goteborg, Sweden**

[\*\*] Term: **14 Years**

[21] Appl. No.: **2,349**

[22] Filed: **Dec. 8, 1992**

[30] **Foreign Application Priority Data**

Jun. 10, 1992 [SE] Sweden ..... 92-1257  
 [52] U.S. Cl. .... **D9/435**  
 [58] Field of Search ..... D7/402; D9/429, 434-436,  
 D9/455-456, 499; D34/38-39; 206/557, 564;  
 294/172

[56] **References Cited**

**U.S. PATENT DOCUMENTS**

D. 140,415 2/1945 Wise et al. .... D9/434  
 D. 246,828 1/1978 While ..... D9/435

D. 276,702 12/1984 Entenmann et al. .... D9/456  
 D. 298,406 11/1988 Stephen et al. .... D7/402  
 D. 305,618 1/1990 Blaser ..... D9/456  
 D. 309,571 7/1990 Lehman ..... D9/455  
 D. 312,406 11/1990 Tyler ..... D9/452  
 D. 330,165 10/1992 Brochu et al. .... D9/435  
 4,989,731 2/1991 Shuert ..... D34/38 X

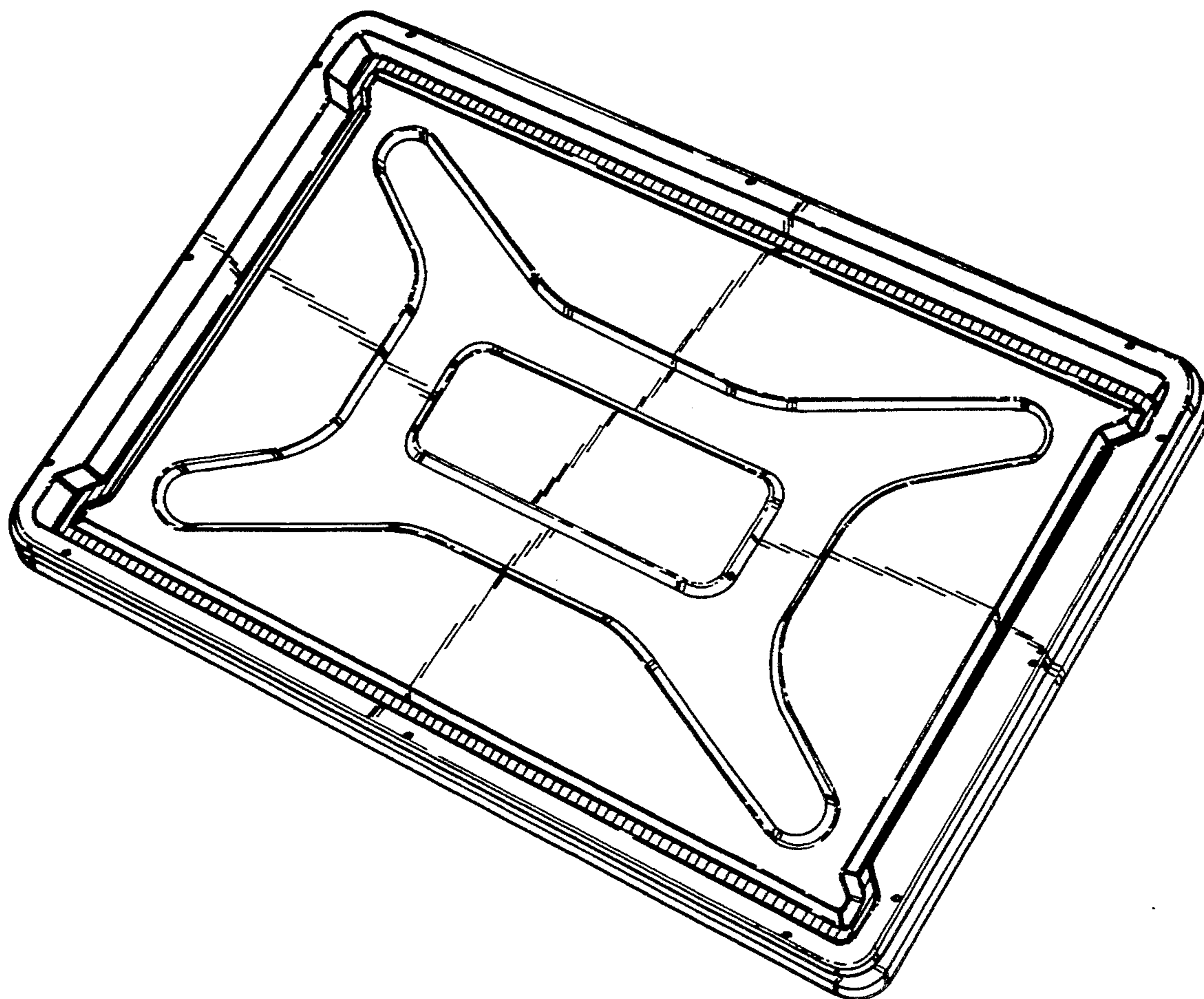
*Primary Examiner*—Alan P. Douglas  
*Assistant Examiner*—R. Spear  
*Attorney, Agent, or Firm*—Young & Thompson

[57] **CLAIM**

The ornamental design for a lid for a freight box, as shown and described.

**DESCRIPTION**

FIG. 1 is a top perspective view of a lid for a freight box, showing my new design;  
 FIG. 2 is a bottom perspective view thereof;  
 FIG. 3 is a side elevational view thereof, the side opposite that shown in FIG. 3 being identical thereto; and,  
 FIG. 4 is a front elevational view thereof, the side opposite that shown in FIG. 4 being identical thereof.



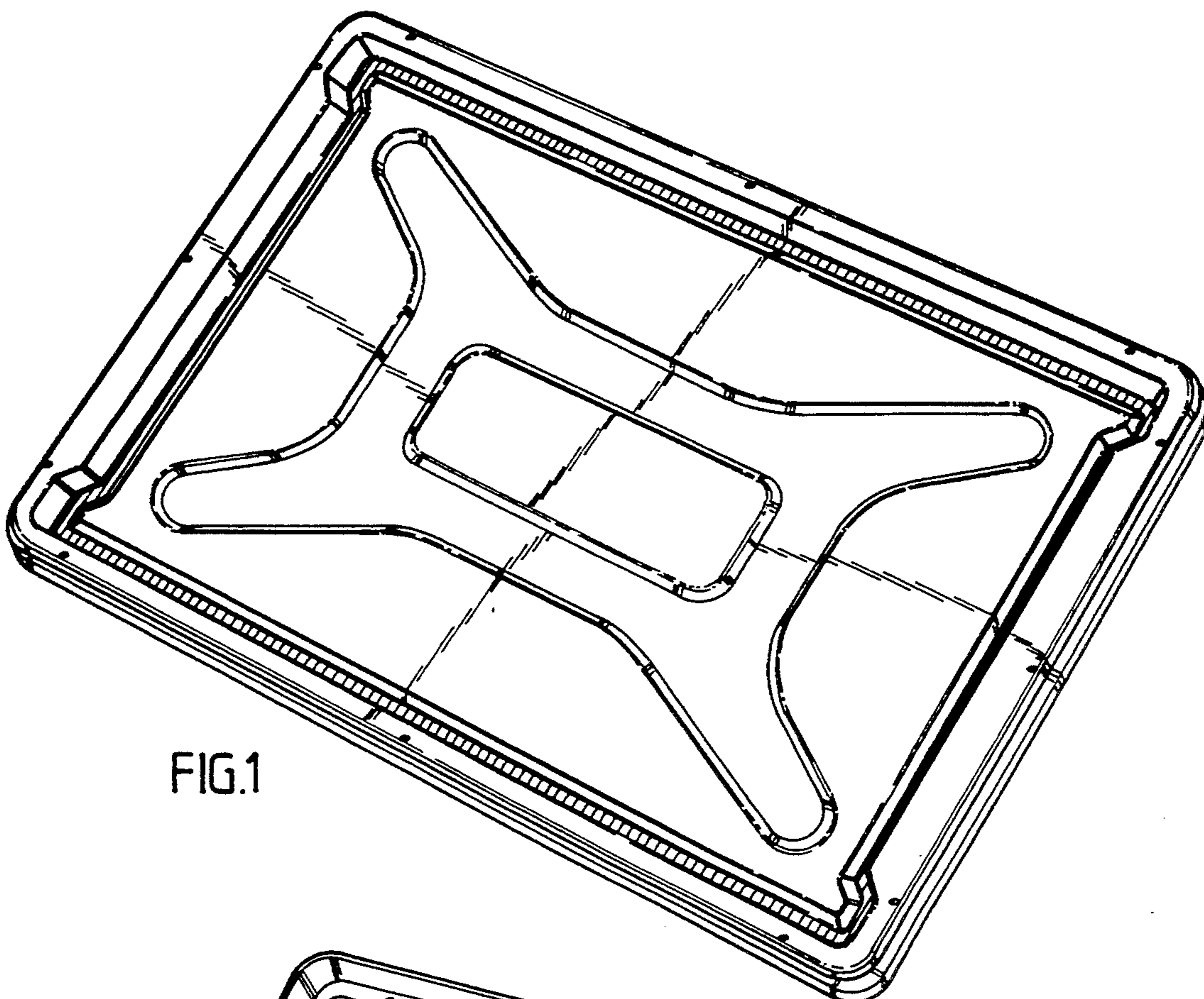


FIG.1

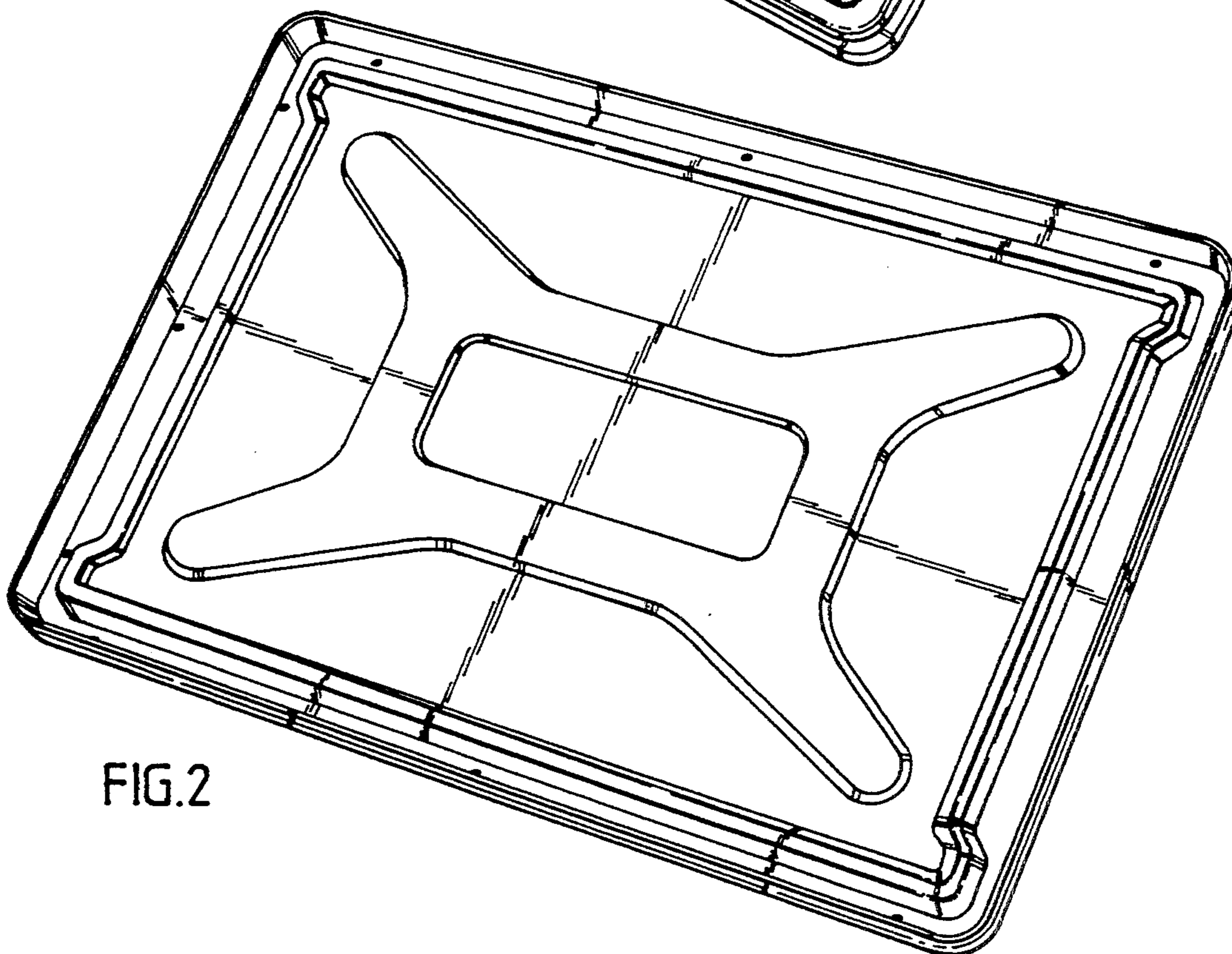


FIG.2



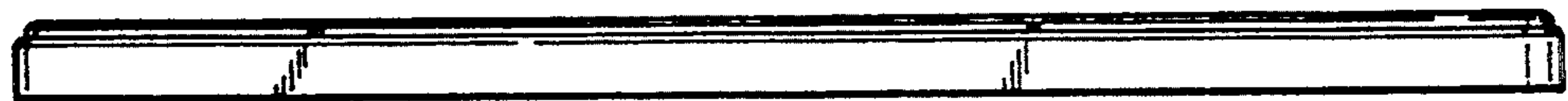


FIG. 3



FIG. 4