



US00D358767S

United States Patent [19]

[11] Patent Number: **Des. 358,767**

Berggren

[45] Date of Patent: **** May 30, 1995**

[54] **LID FOR A FREIGHT BOX**

[75] Inventor: **Tony Berggren, Skillinge, Sweden**

[73] Assignee: **Aktiebolaget Volvo, Gothenburg, Sweden**

[**] Term: **14 Years**

[21] Appl. No.: **2,347**

[22] Filed: **Dec. 8, 1992**

[30] **Foreign Application Priority Data**

Jun. 10, 1992 [SE] Sweden 92-1257

[52] U.S. Cl. **D9/435**

[58] Field of Search D7/402; D9/429, 434-436, D9/455-456, 499; D34/38-39; 294/172

[56] **References Cited**

U.S. PATENT DOCUMENTS

- D. 140,415 2/1945 Wise et al. D9/434
- D. 246,828 1/1978 White D9/435
- D. 276,702 12/1984 Entenmann et al. D9/456

- D. 298,406 11/1988 Stephen et al. D7/402
- D. 305,618 1/1990 Blaser D9/456
- D. 309,571 7/1990 Lehman D9/455
- D. 312,406 11/1990 Tyler D9/452
- D. 330,165 10/1992 Brochu et al. D9/435
- 4,989,731 2/1991 Shuert D34/38 X

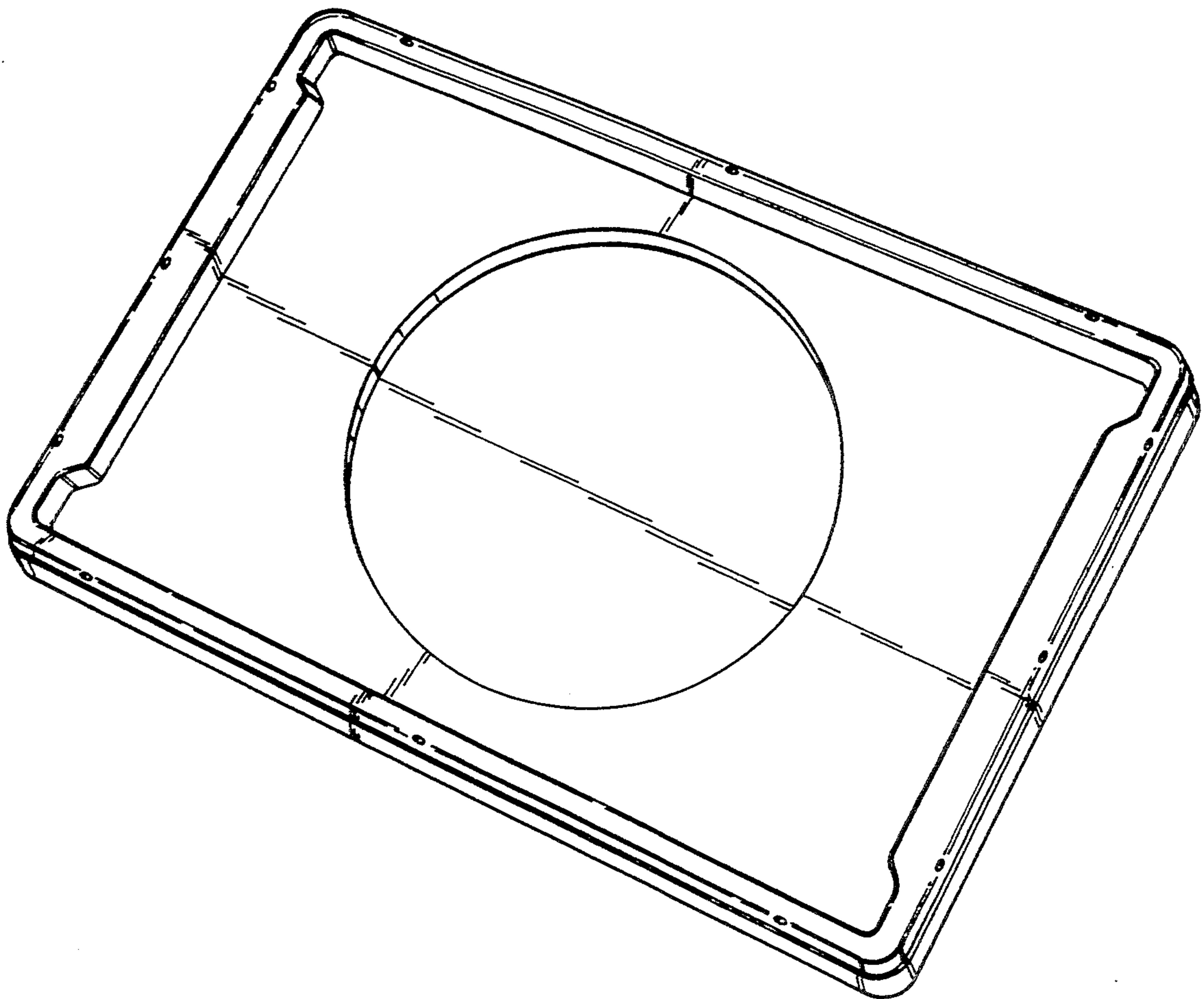
Primary Examiner—Alan P. Douglas
Assistant Examiner—R. Spear
Attorney, Agent, or Firm—Young & Thompson

[57] **CLAIM**

The ornamental design for a lid for a freight box, as shown and described.

DESCRIPTION

FIG. 1 is a top perspective view of a lid for a freight box, showing my new design;
FIG. 2 is a bottom perspective view thereof;
FIG. 3 is a side elevational view thereof, the side opposite that shown in FIG. 3 being identical thereto; and,
FIG. 4 is a front elevational view thereof, the side opposite that shown in FIG. 4 being identical thereof.



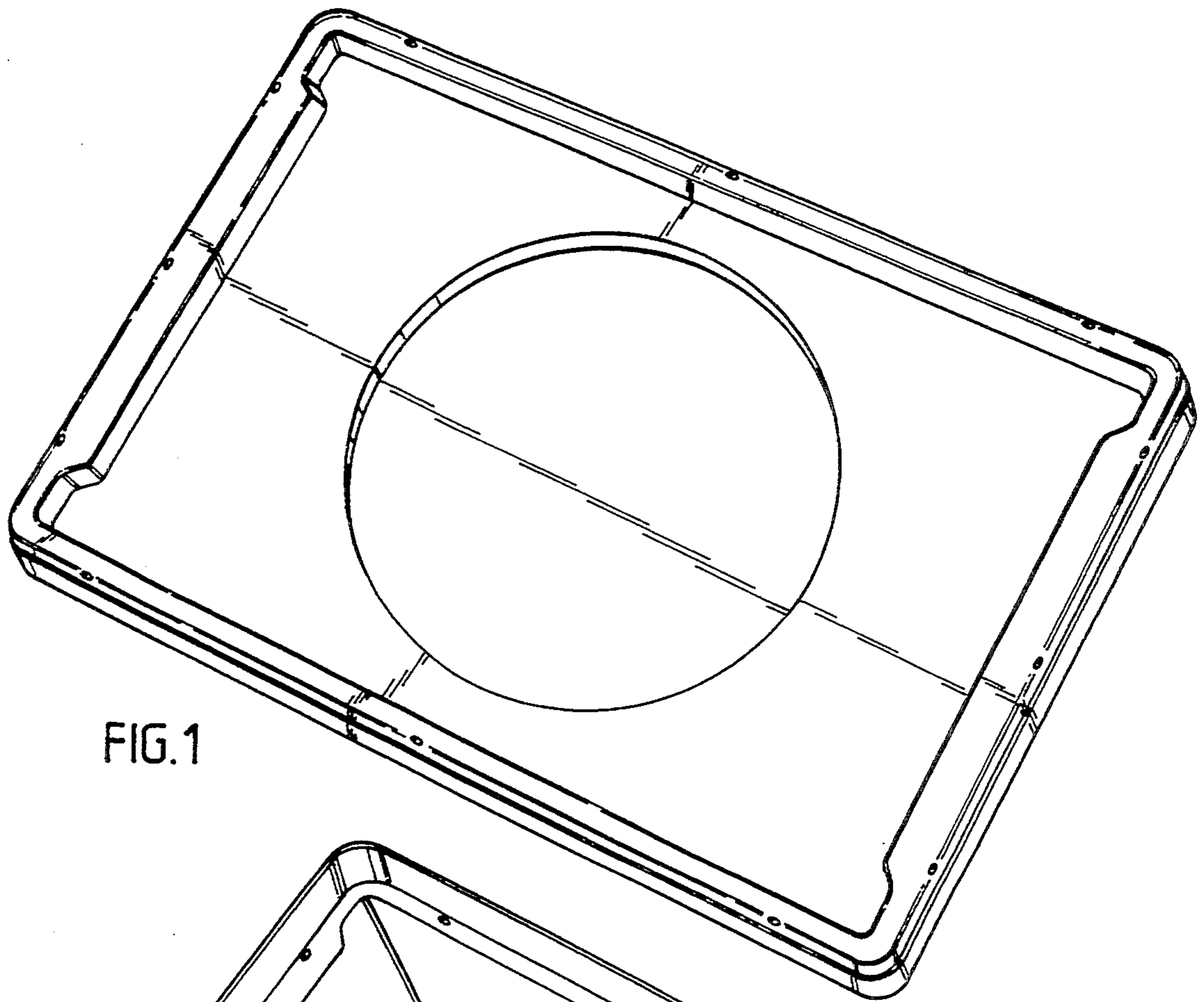


FIG. 1

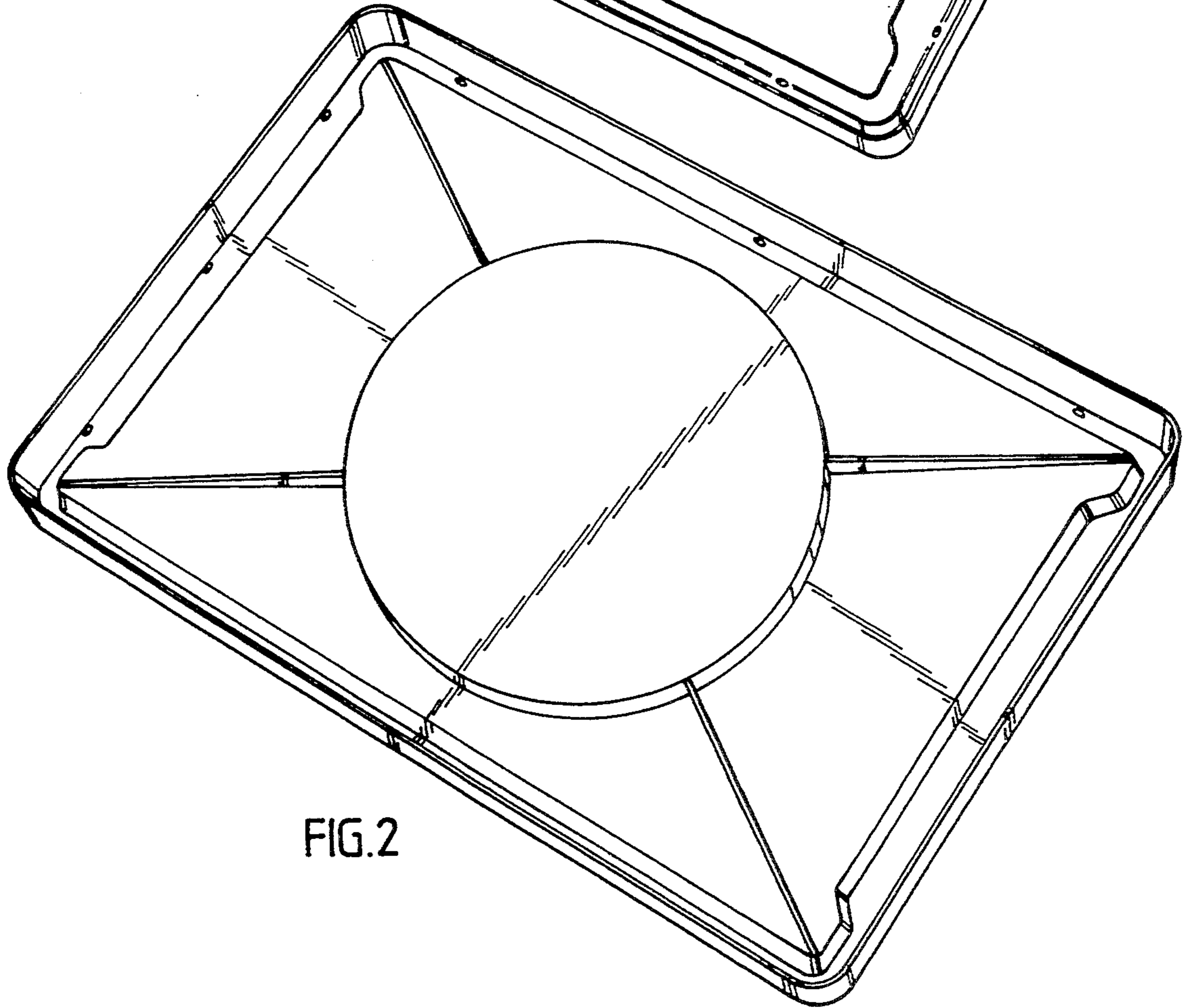


FIG. 2

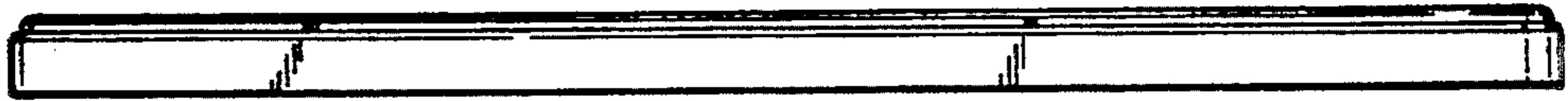


FIG. 3



FIG. 4