



US00D358760S

United States Patent [19]

[11] Patent Number: **Des. 358,760**

Sherman et al.

[45] Date of Patent: **** May 30, 1995**

[54] COMBINED TUBE CONTAINER AND CLOSURE

[75] Inventors: **Adam Sherman**, Brooklyn, N.Y.;
James C. McKinney, Cranbury;
George J. Neveras, Kendall, both of
N.J.

[73] Assignee: **Colgate-Palmolive Co.**, New York,
N.Y.

[**] Term: **14 Years**

[21] Appl. No.: **880,312**

[22] Filed: **May 4, 1992**

[52] U.S. Cl. **D9/302; D9/449**

[58] Field of Search **D9/434-436,**
D9/444-450, 452-454, 302, 306, 510; 215/224,
235-236; 222/153; D6/541

[56] References Cited

U.S. PATENT DOCUMENTS

D. 193,121	6/1962	Wickman	D9/447 X
D. 200,182	1/1965	Crowell et al.	D9/448
D. 212,463	10/1968	Vanderhyde	D9/452 X
D. 223,900	6/1972	Douglas et al.	D9/446
D. 265,060	6/1982	Blank	D9/449 X
D. 314,147	1/1991	Davis	D9/446
3,107,035	10/1963	Cholet	D9/447 X
3,741,447	6/1973	Miles et al.	D9/450 X
4,236,653	12/1980	Gach	222/153
4,854,473	8/1989	Dubach	215/235 X
5,143,234	9/1992	Lohrman et al.	215/235

OTHER PUBLICATIONS

Polytop Dispensing Closures ad, *Package Engineering*,
Apr. 1981, p. 120.

Primary Examiner—Alan P. Douglas
Assistant Examiner—R. Spear
Attorney, Agent, or Firm—Michael J. McGreal; Robert
C. Sullivan

[57] CLAIM

The ornamental design for a combined tube container
and closure, as shown and described.

DESCRIPTION

FIG. 1 is a top front perspective view of a combined
tube container and closure, showing our new design;
FIG. 2 is a top front perspective view of a second em-
bodiment thereof;
FIG. 3 is a top front perspective view of a third embodi-
ment thereof;
FIG. 4 is a top plan view thereof;
FIG. 5 is a bottom plan view thereof;
FIG. 6 is a front elevational view thereof;
FIG. 7 is a side elevational view thereof, the opposite
side being a mirror image thereof;
FIG. 8 is a perspective view of the design of FIG. 1
with the closure in the closed position;
FIG. 9 is a rear elevational view thereof with the clo-
sure in the open position; and,
FIG. 10 is a rear elevational thereof with the closure in
a closed position.

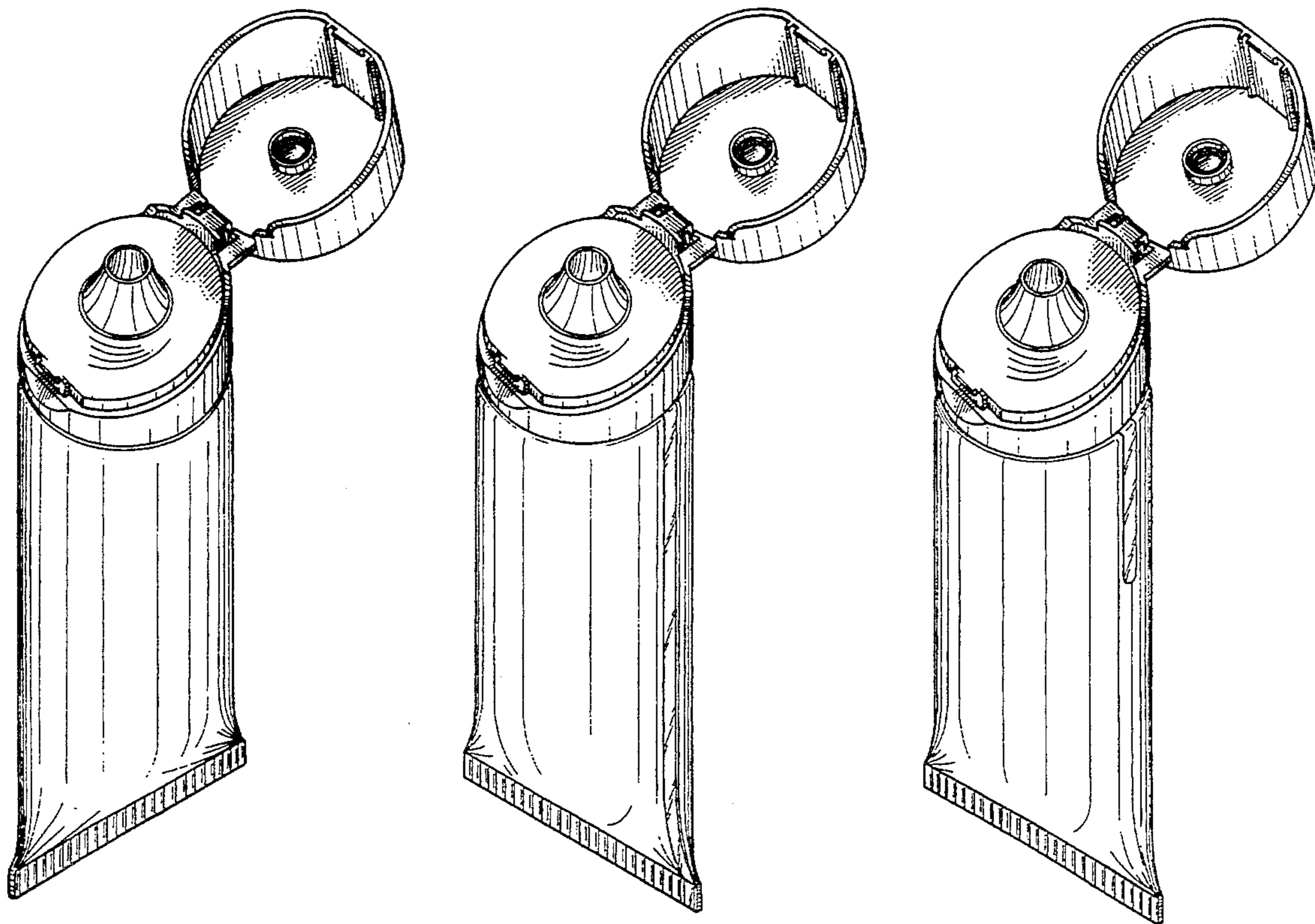


FIG. 1

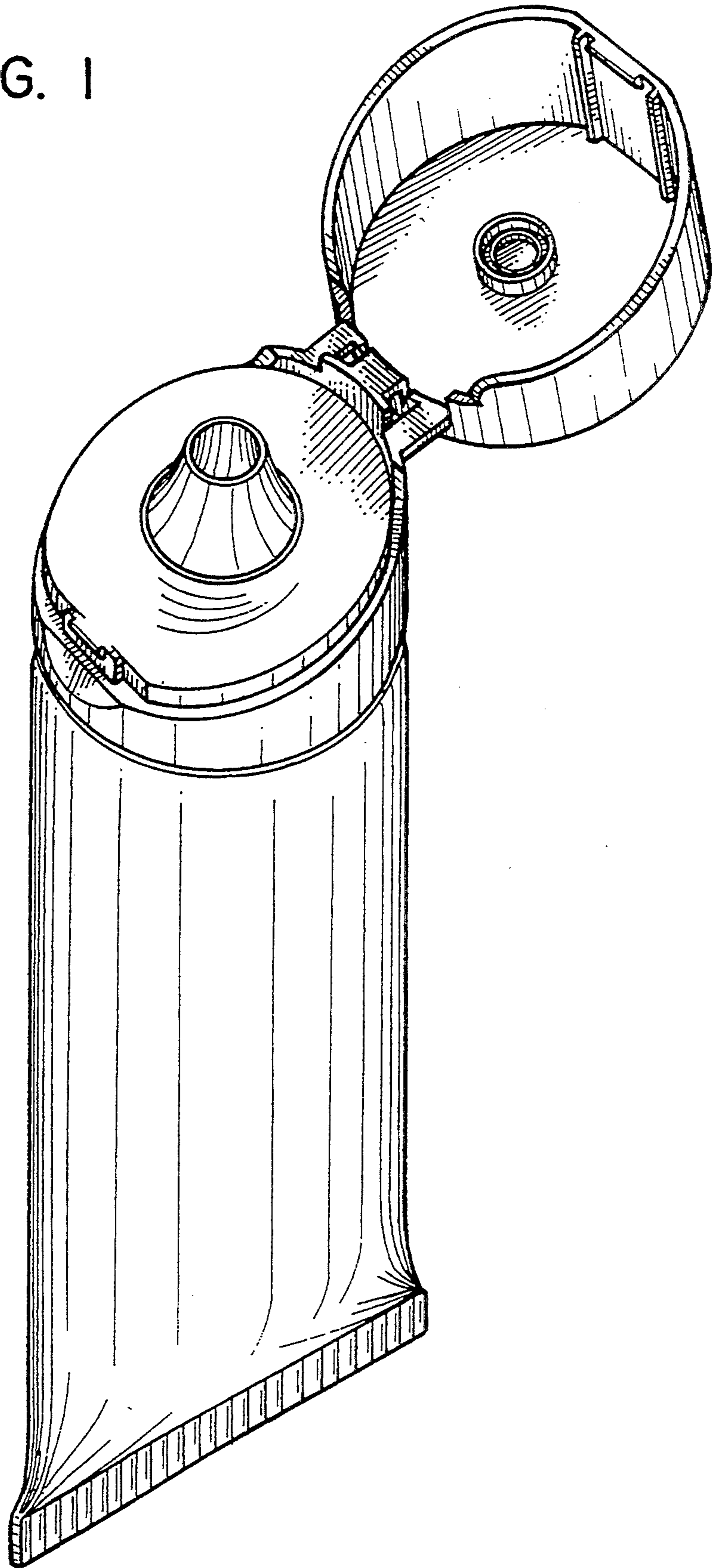


FIG. 2

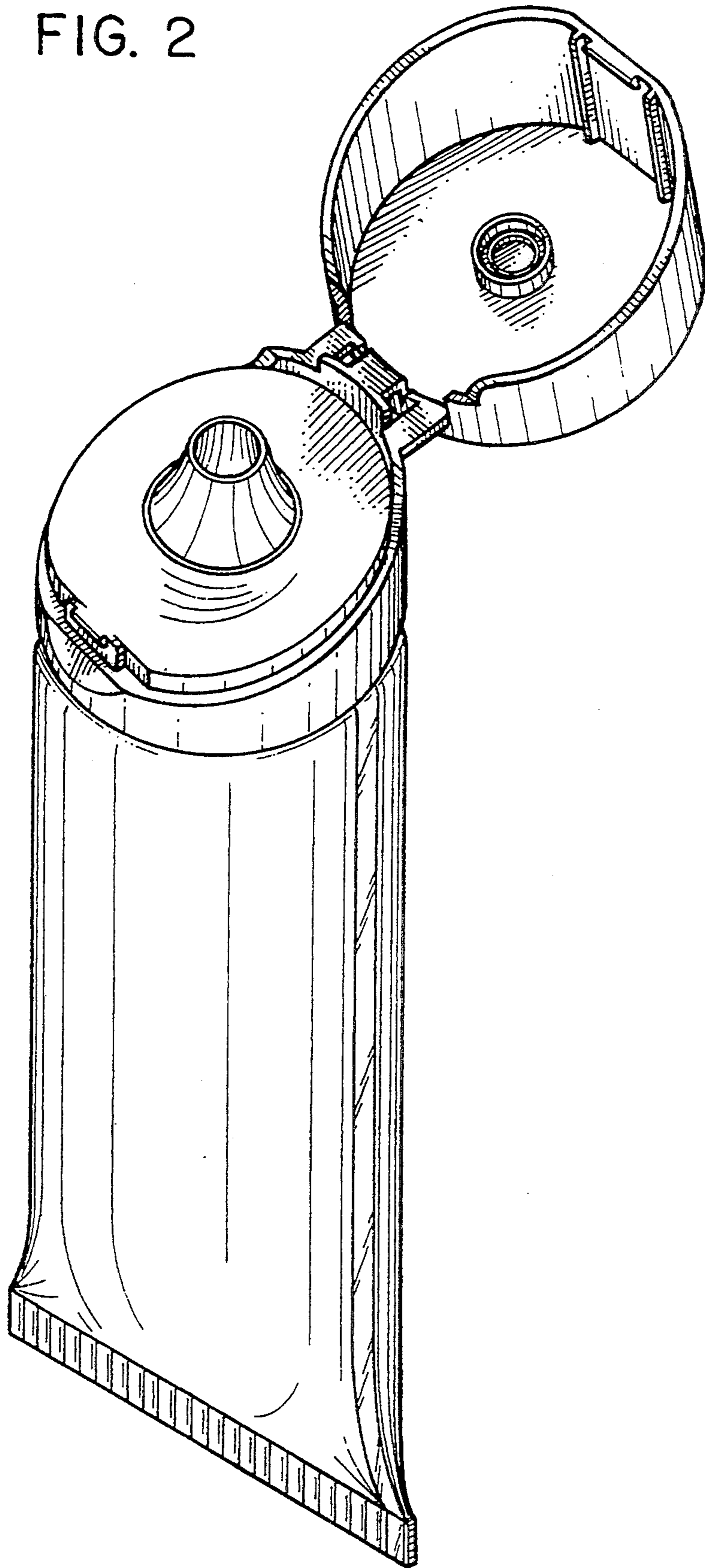


FIG. 3

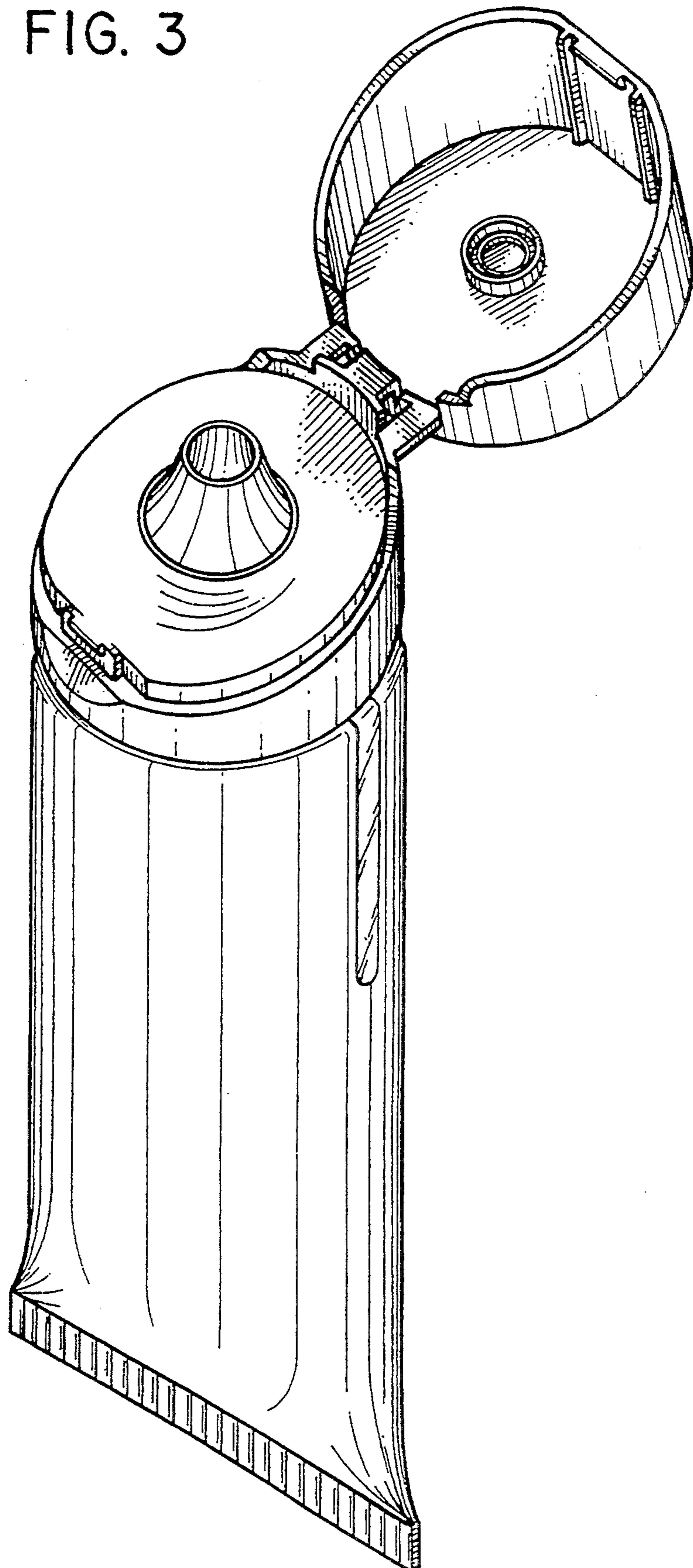


FIG. 4

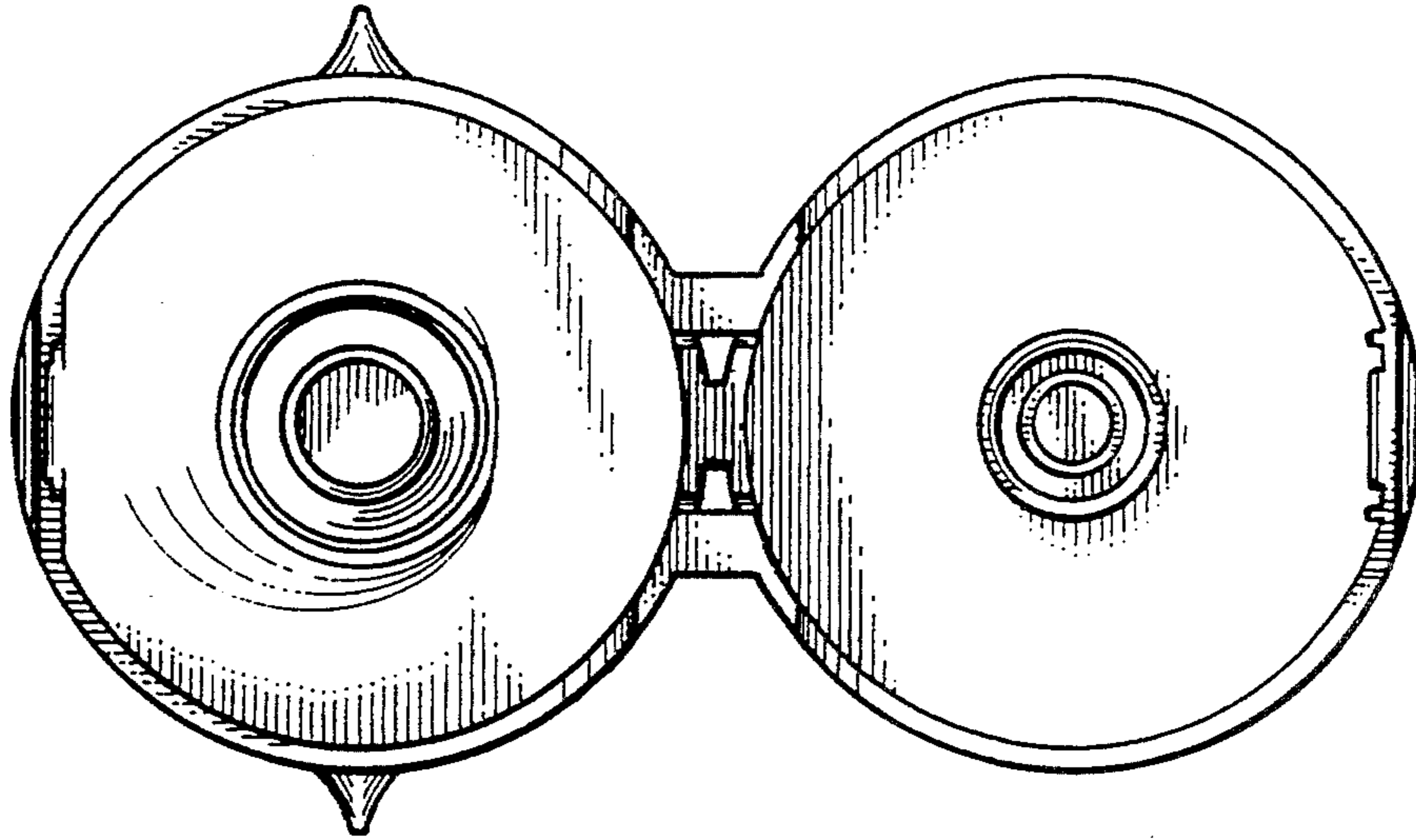


FIG. 5

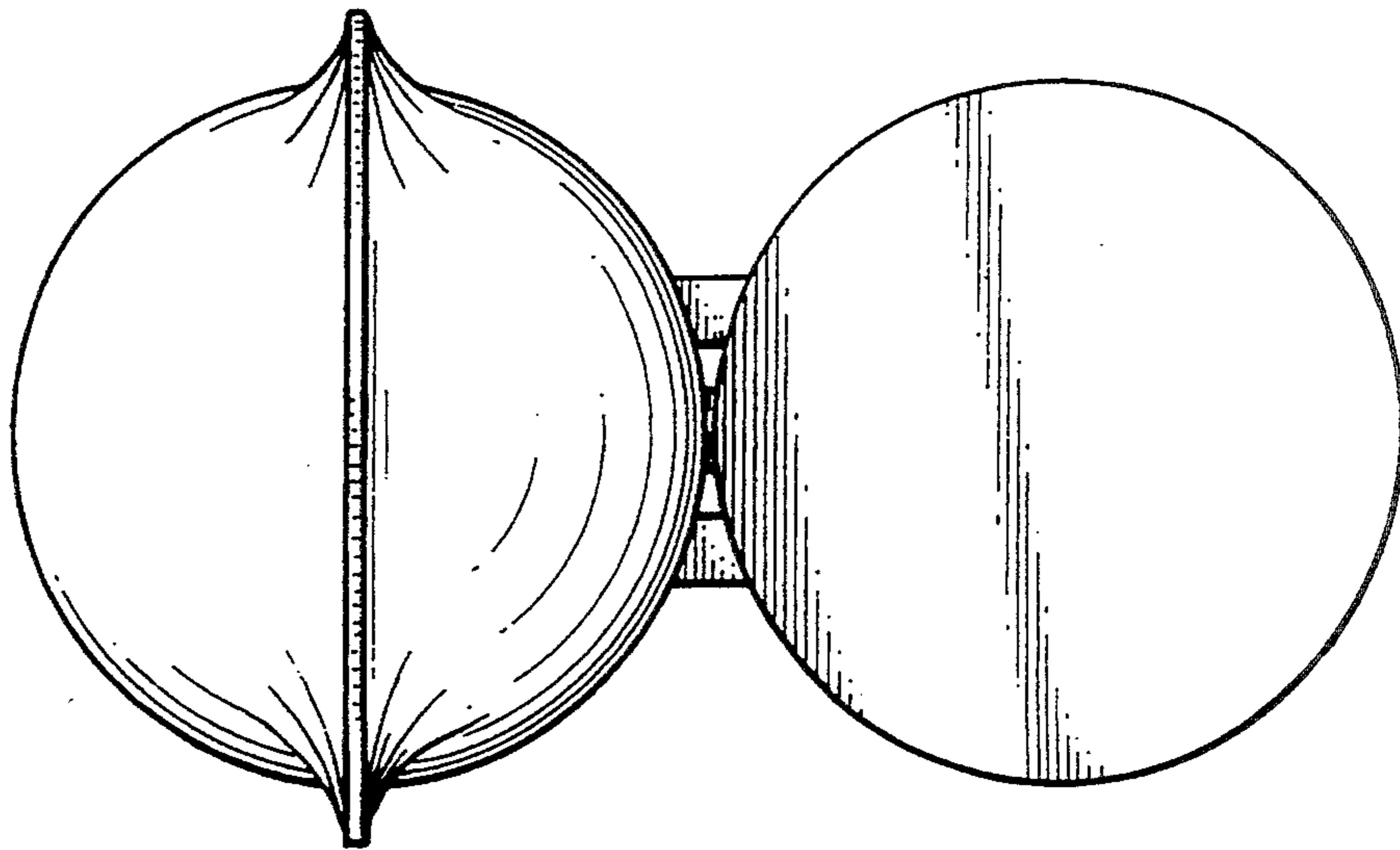


FIG. 6

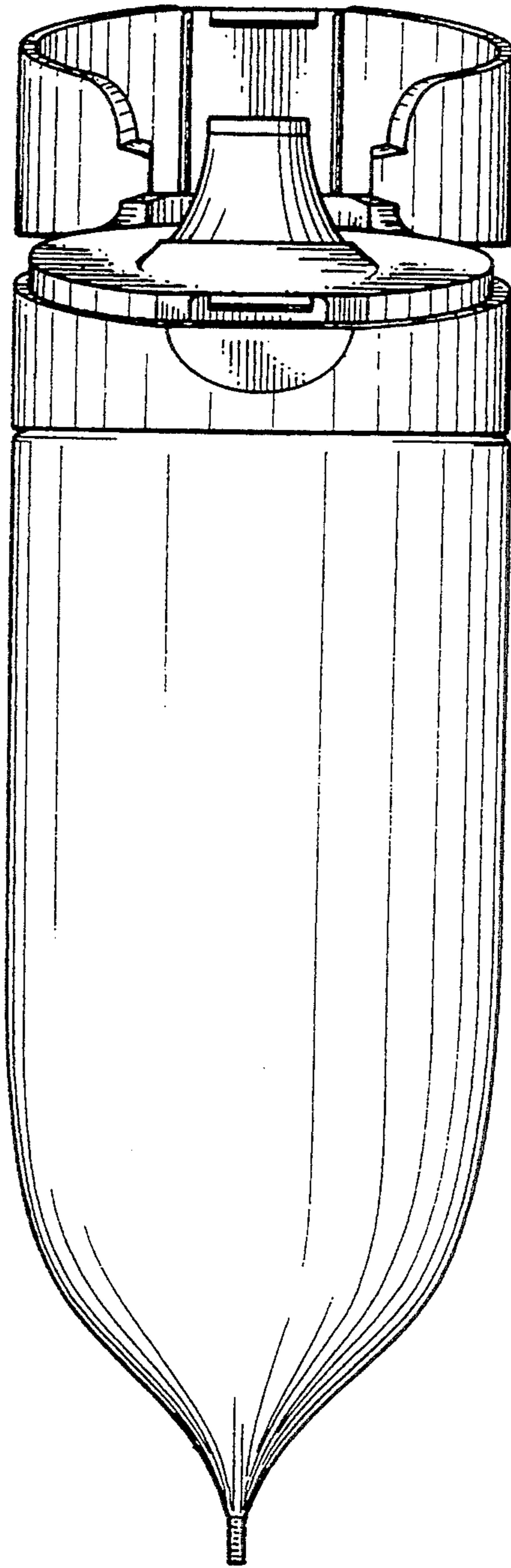


FIG. 7

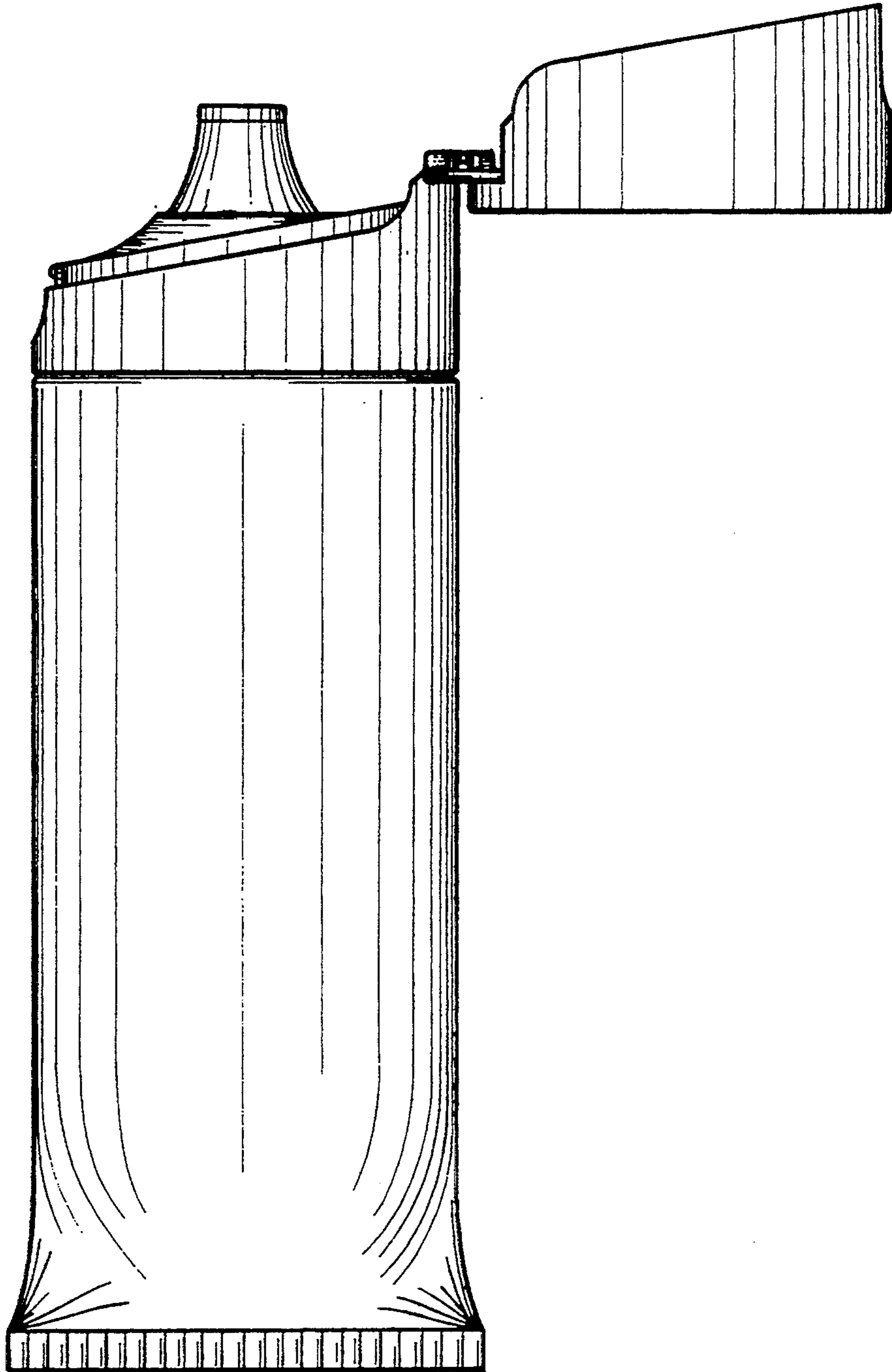


FIG. 8

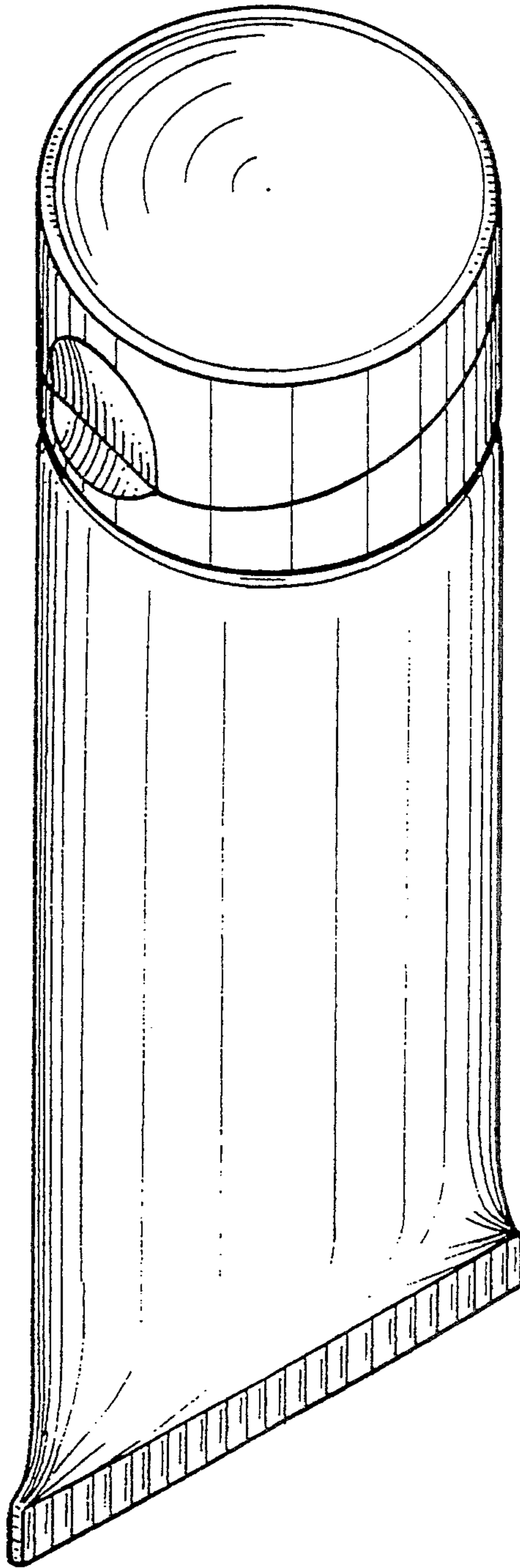


FIG. 9

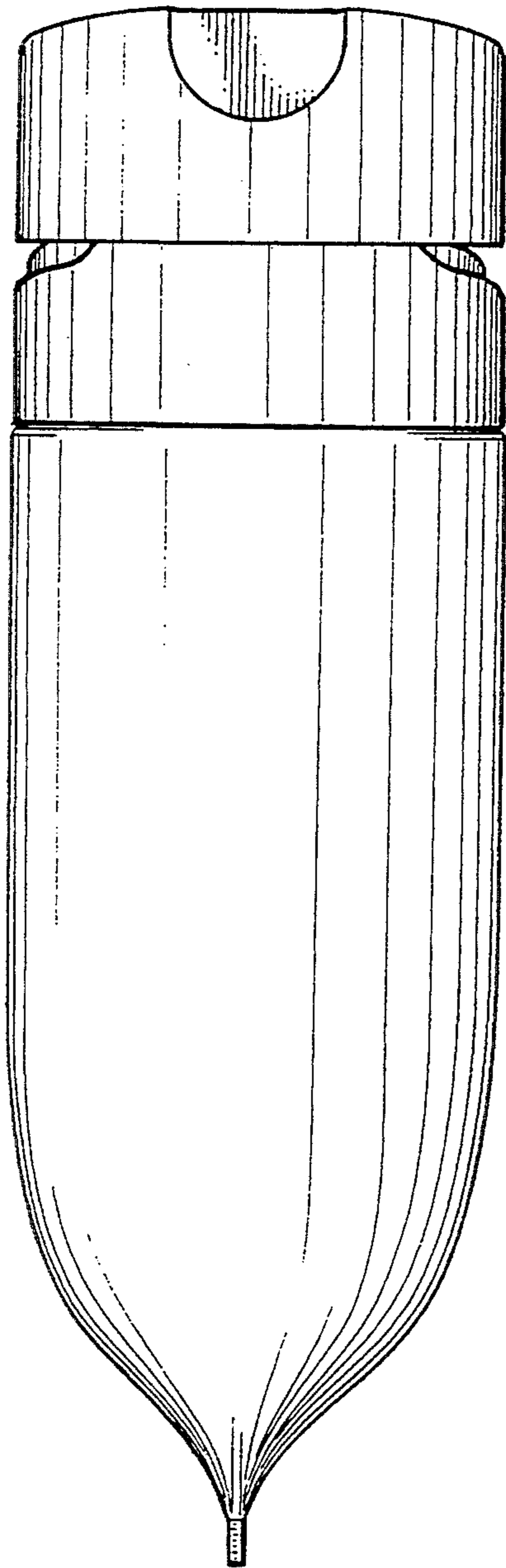


FIG. 10

