



US00D358758S

# United States Patent [19]

[11] Patent Number: **Des. 358,758**

Akeno et al.

[45] Date of Patent: **\*\* May 30, 1995**

- [54] **HOOK FOR HANGING CURTAINS**
- [75] Inventors: **Mitsuru Akeno; Masahiro Kusayama,**  
both of Kurobe, Japan
- [73] Assignee: **Yoshida Kogyo K.K.,** Tokyo, Japan
- [\*\*] Term: **14 Years**
- [21] Appl. No.: **10,646**
- [22] Filed: **Jul. 14, 1993**
- [30] **Foreign Application Priority Data**  
Apr. 24, 1993 [JP] Japan ..... 5-12139
- [52] U.S. Cl. .... **D8/367; D8/373**
- [58] Field of Search ..... **D8/367, 373; D6/580,**  
**D6/327; 248/301, 304, 339, 290;**  
**168/368.1-368.2, 349.1-349.2, 388; 16/93 D,**  
**94 R; 24/8, 460**

- [56] **References Cited**  
**U.S. PATENT DOCUMENTS**  
D. 249,005 8/1978 Dezura ..... D6/580  
D. 313,740 1/1991 Witt ..... D8/373

*Primary Examiner*—James M. Gandy  
*Assistant Examiner*—Holly Baynham

*Attorney, Agent, or Firm*—Hill, Steadman & Simpson

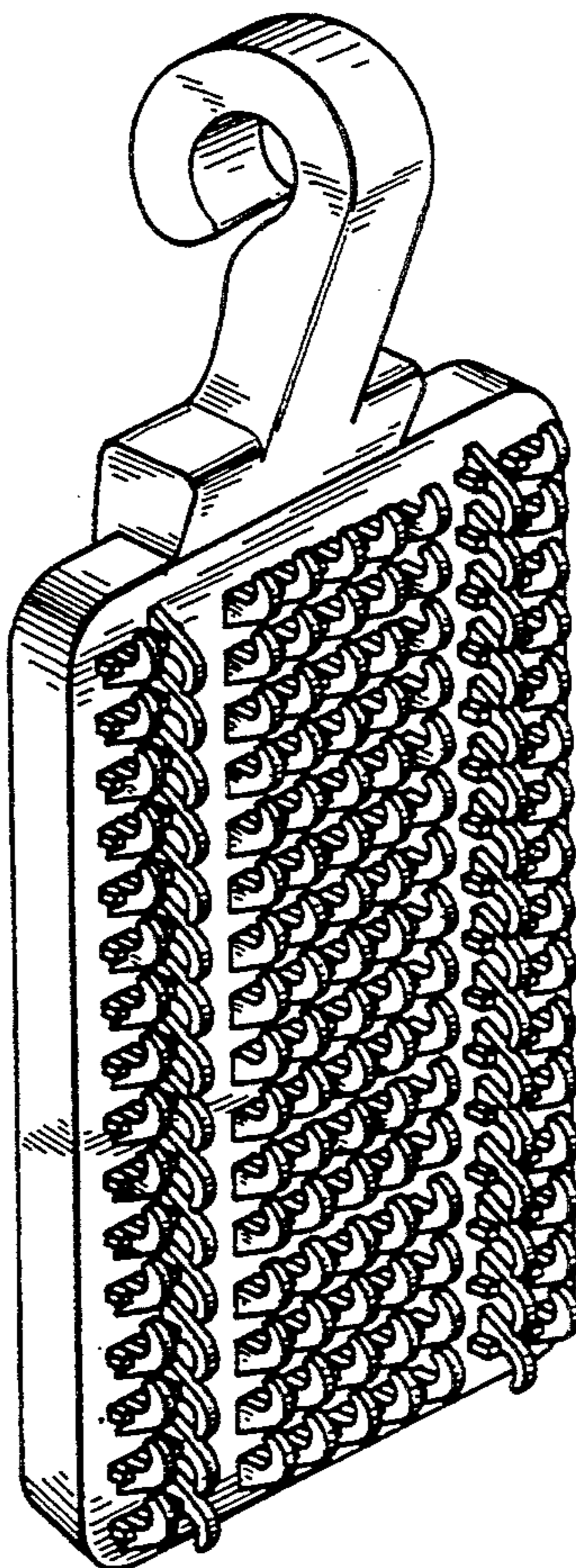
### [57] CLAIM

The ornamental design for a hook for hanging curtains, as shown and described.

### DESCRIPTION

FIG. 1 is a front view of a hook for hanging curtains; FIG. 2 is a rear view thereof; FIG. 3 is a top view thereof; FIG. 4 is a bottom view thereof; FIG. 5 is a right side view thereof; FIG. 6 is a cross-sectional view taken on line 6—6 of FIG. 1; FIG. 7 is a cross-sectional view taken on line 7—7 of FIG. 1; FIG. 8 is a cross-sectional view taken on line 8—8 of FIG. 1; FIG. 9 is a cross-sectional view taken on line 9—9 of FIG. 1; FIG. 10 is a perspective view thereof; and, FIG. 11 is reduced perspective view showing the way the hanger device of FIG. 1 is used.

The broken line showing of curtains and structure therefor is for illustrative purposes only and forms no part of the claimed design.



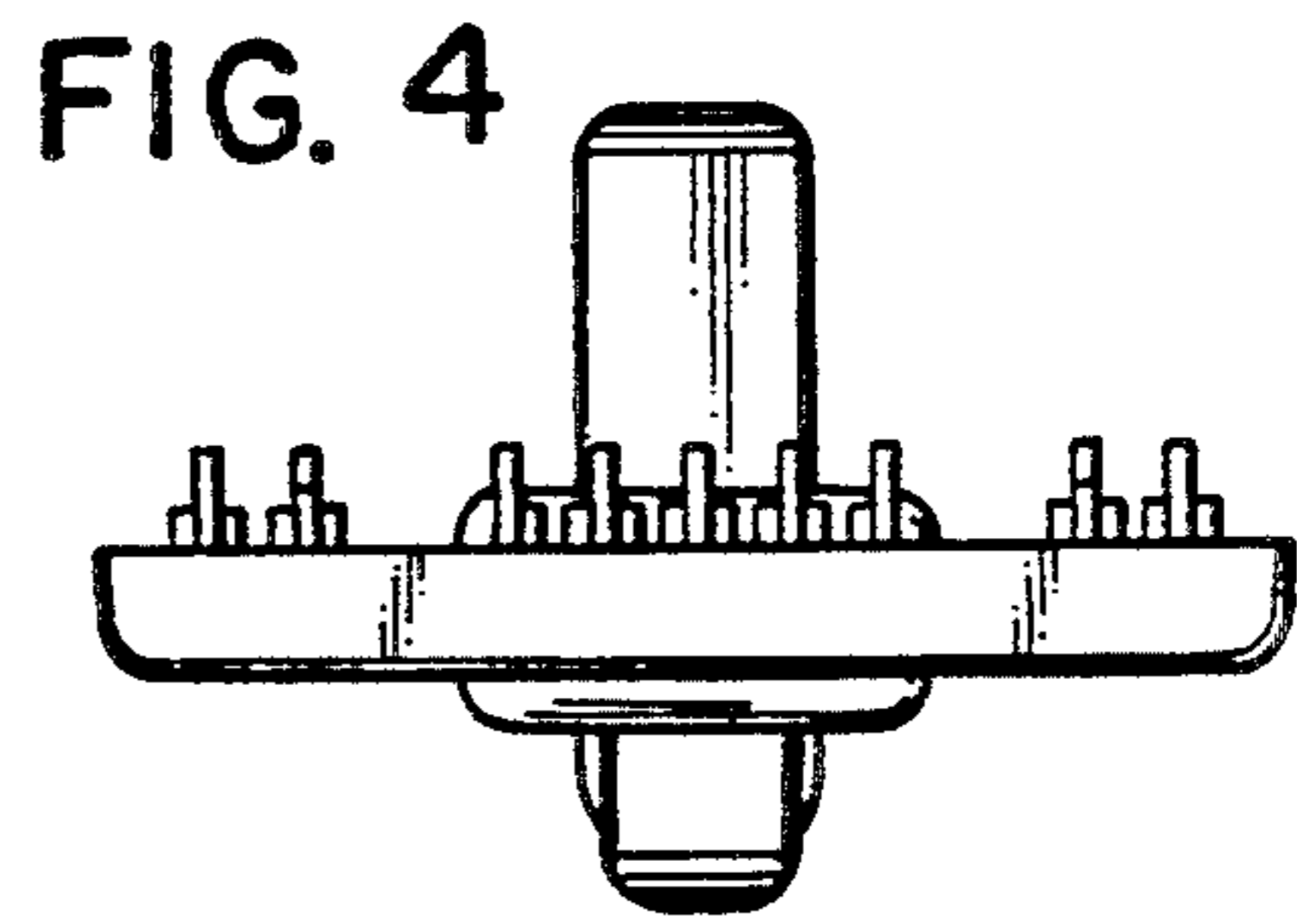
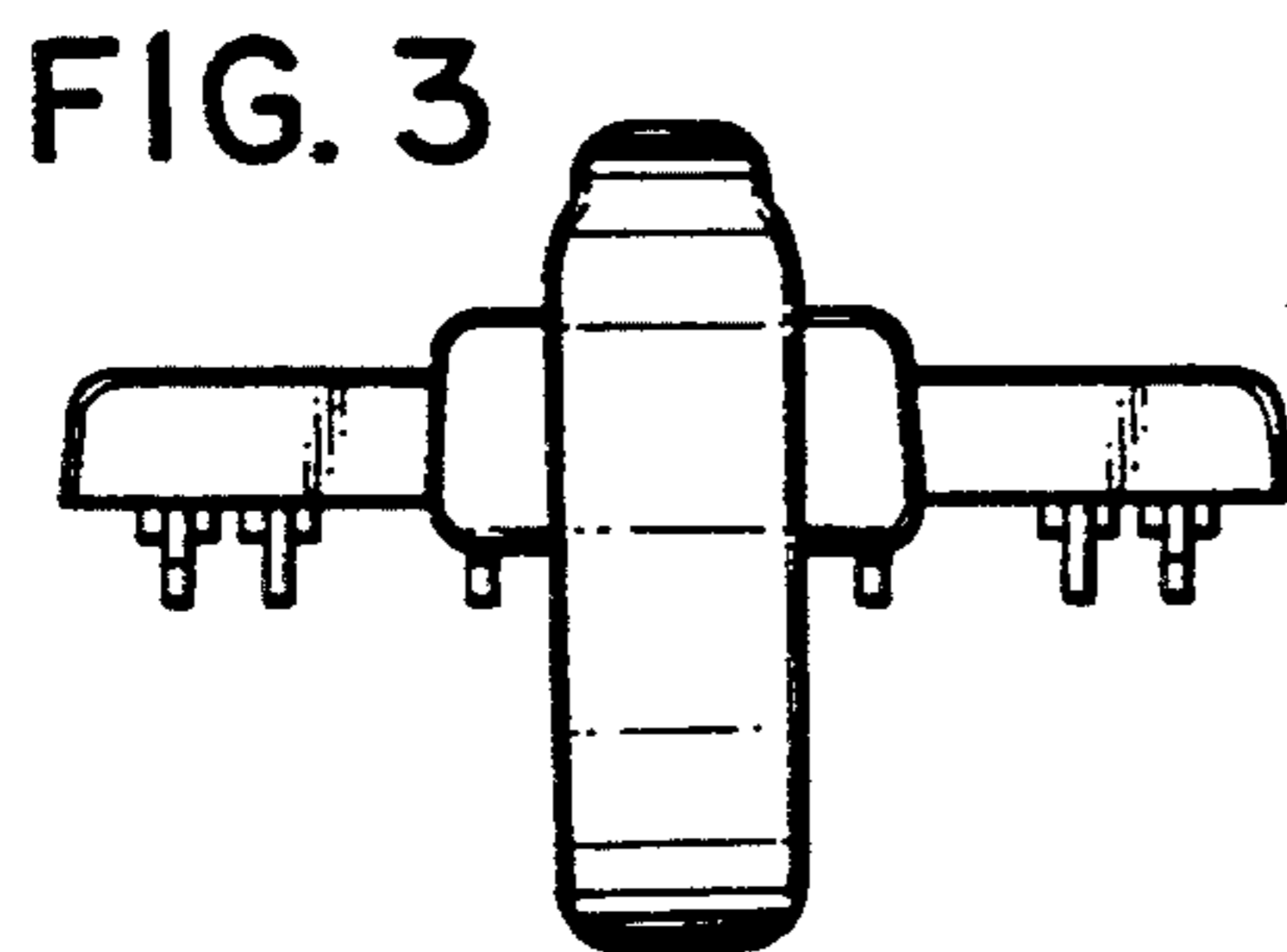
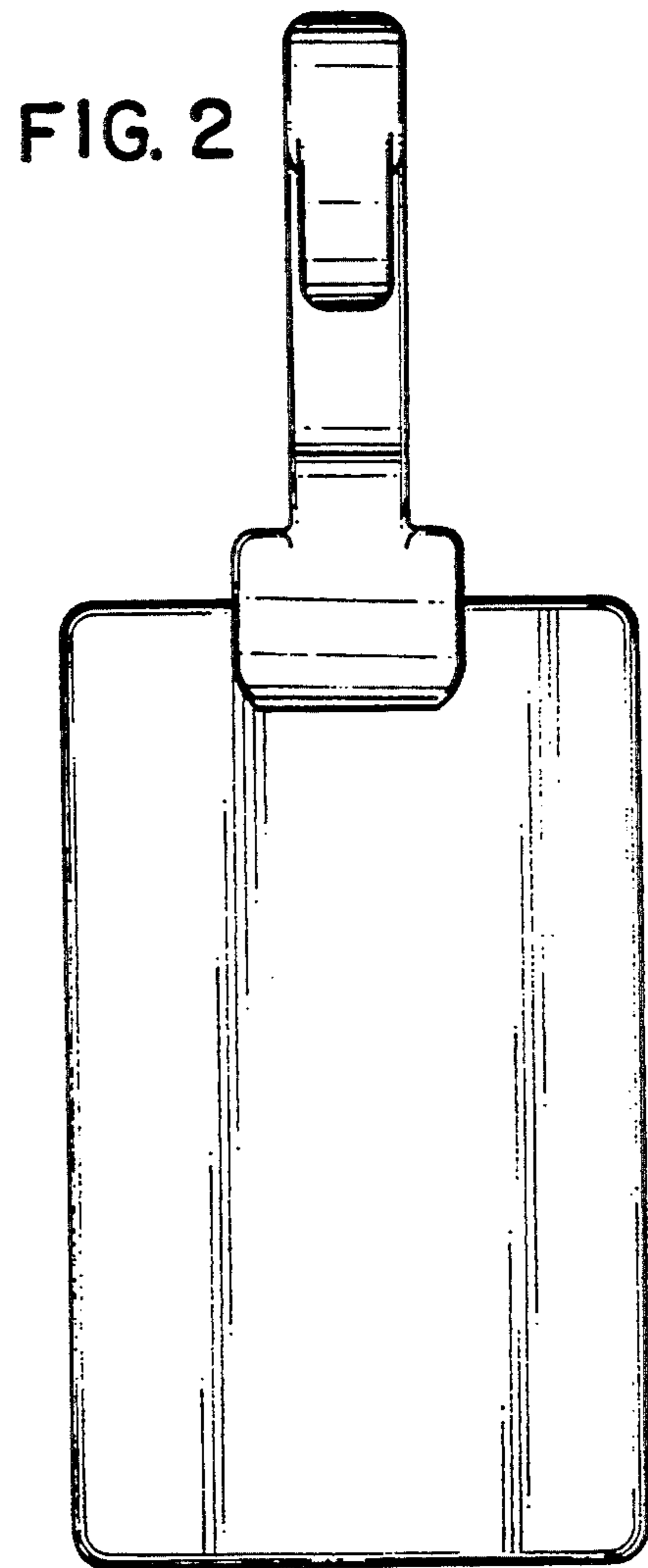
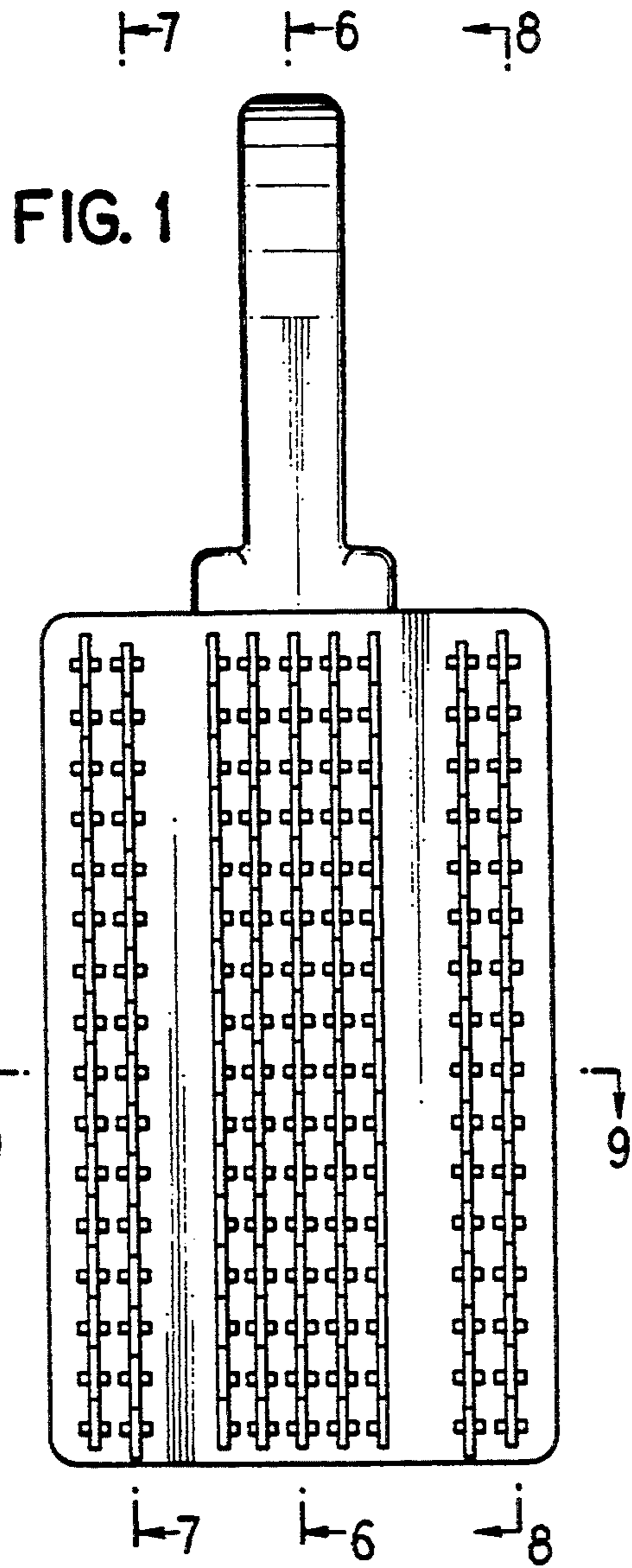


FIG. 5

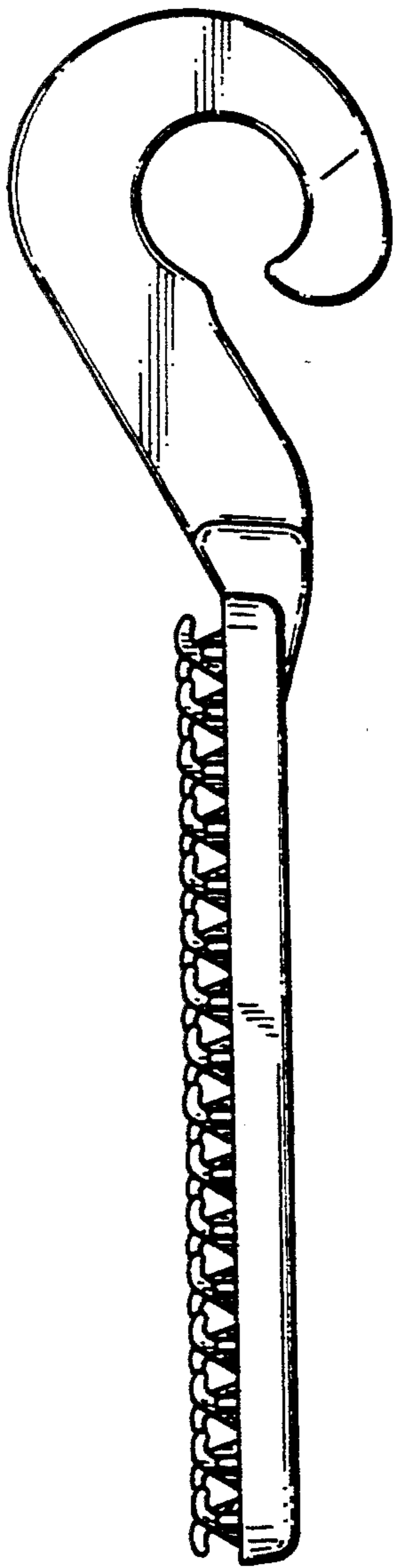


FIG. 6

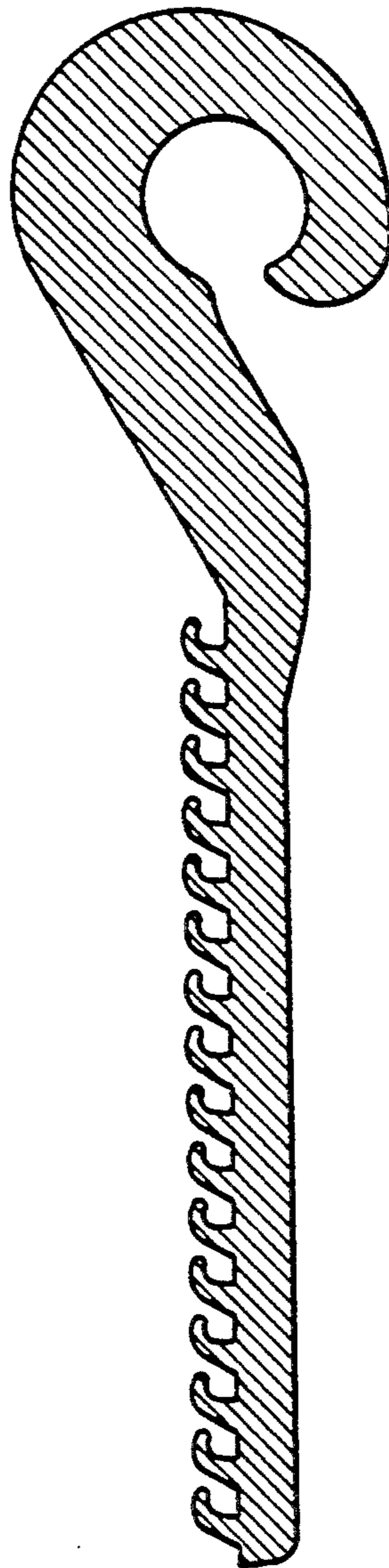


FIG. 7





FIG. 8

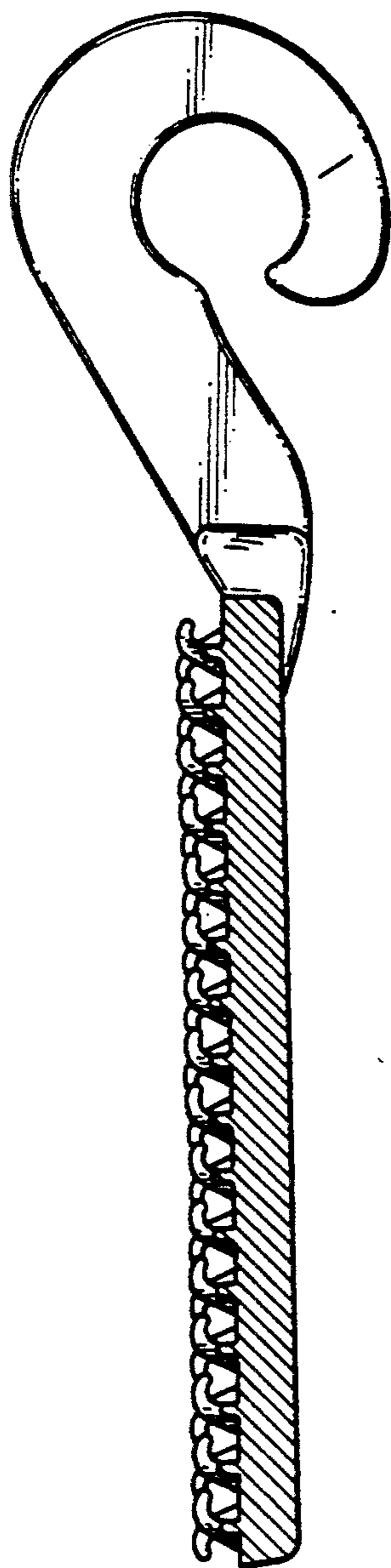


FIG. 9

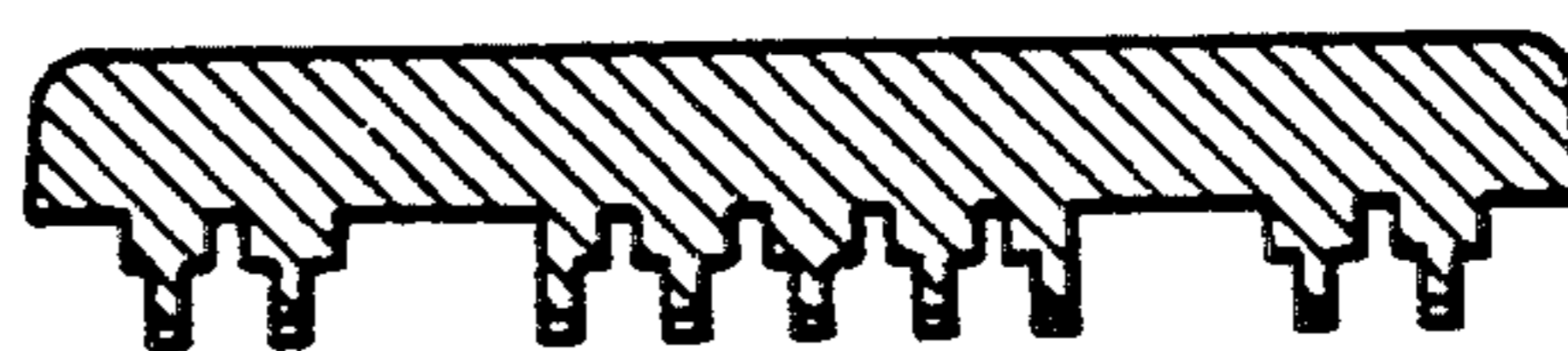


FIG. 10

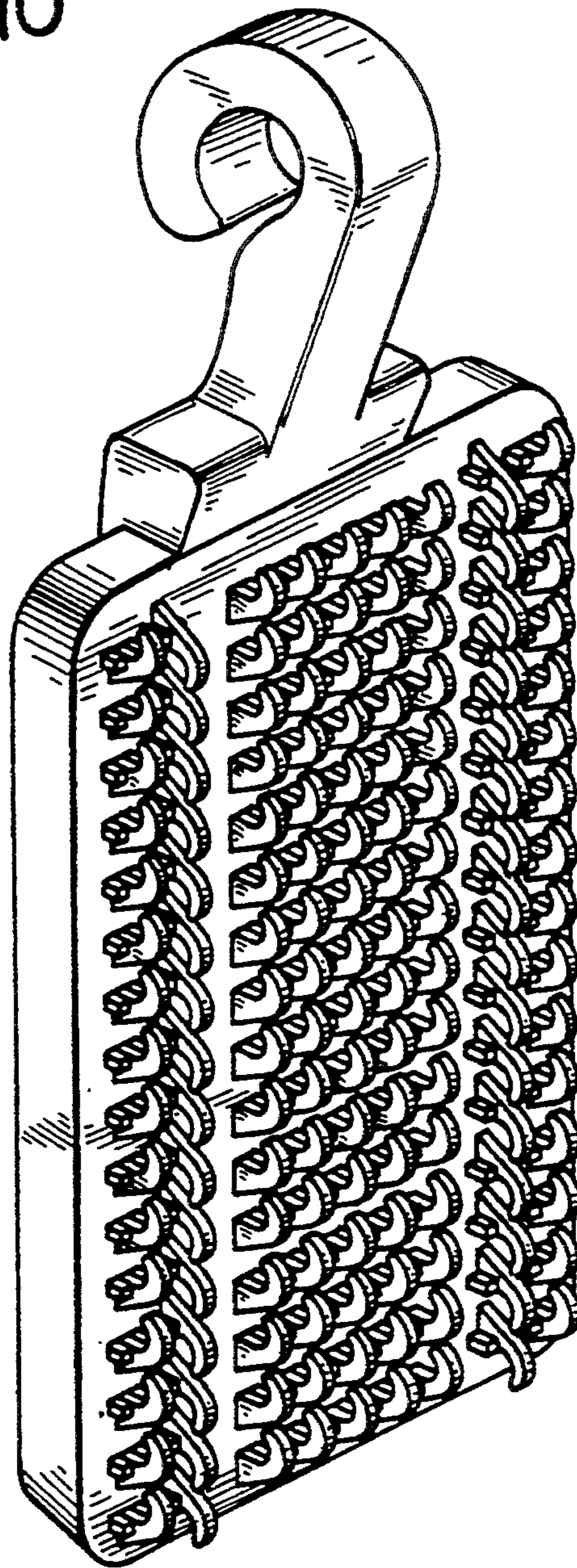


FIG. 11

