



US00D358752S

United States Patent [19]

[11] Patent Number: **Des. 358,752**

Duvall

[45] Date of Patent: **** May 30, 1995**

[54] **ROTARY WALLPAPER CUTTER**

[76] Inventor: **Kimberly A. Duvall**, 713 Armstrong St., Morris, Ill. 60450

[**] Term: **14 Years**

[21] Appl. No.: **18,767**

[22] Filed: **Feb. 16, 1994**

[52] U.S. Cl. **D8/98; D8/51**

[58] Field of Search **D8/14, 51, 98; 30/292, 30/293, 307, 263, 319**

4,601,103 7/1986 Sugiyama 30/162
 4,738,028 4/1988 Belokin et al. 30/319
 4,809,437 3/1989 Saliaris 30/319
 4,887,598 12/1989 Berke 30/319
 5,101,564 4/1992 Melter 30/319
 5,144,749 9/1992 Chen 30/292

Primary Examiner—Prabhakar G. Deshmukh
Assistant Examiner—Philip Hyder

[57] **CLAIM**

The ornamental design for a rotary wallpaper cutter, as shown and described.

[56] **References Cited**
U.S. PATENT DOCUMENTS

D. 232,413 8/1974 Steiner D8/98
 D. 288,522 3/1987 Salem D8/98
 D. 298,409 11/1988 Sugiyama D8/98
 D. 341,764 11/1993 Birkholz D8/98
 1,574,819 3/1926 Jezler 30/319
 4,062,116 12/1977 Arnott 30/292
 4,432,137 2/1984 Okada 30/319

DESCRIPTION

FIG. 1 is a front elevational view of the rotary wallpaper cutter showing my new design;
 FIG. 2 is a rear elevational view thereof;
 FIG. 3 is an enlarged left side elevational view thereof;
 FIG. 4 is an enlarged right side elevational view thereof;
 FIG. 5 is a top plan view thereof; and,
 FIG. 6 is a bottom plan view thereof.

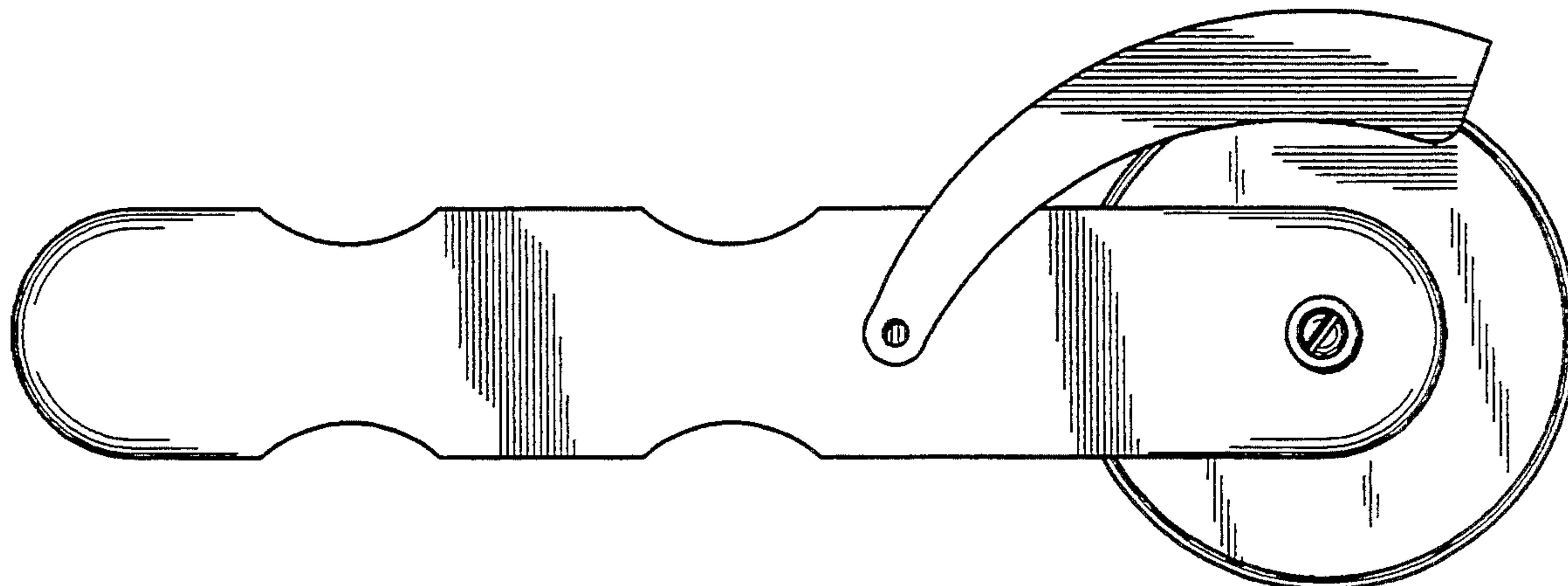


FIG. 1

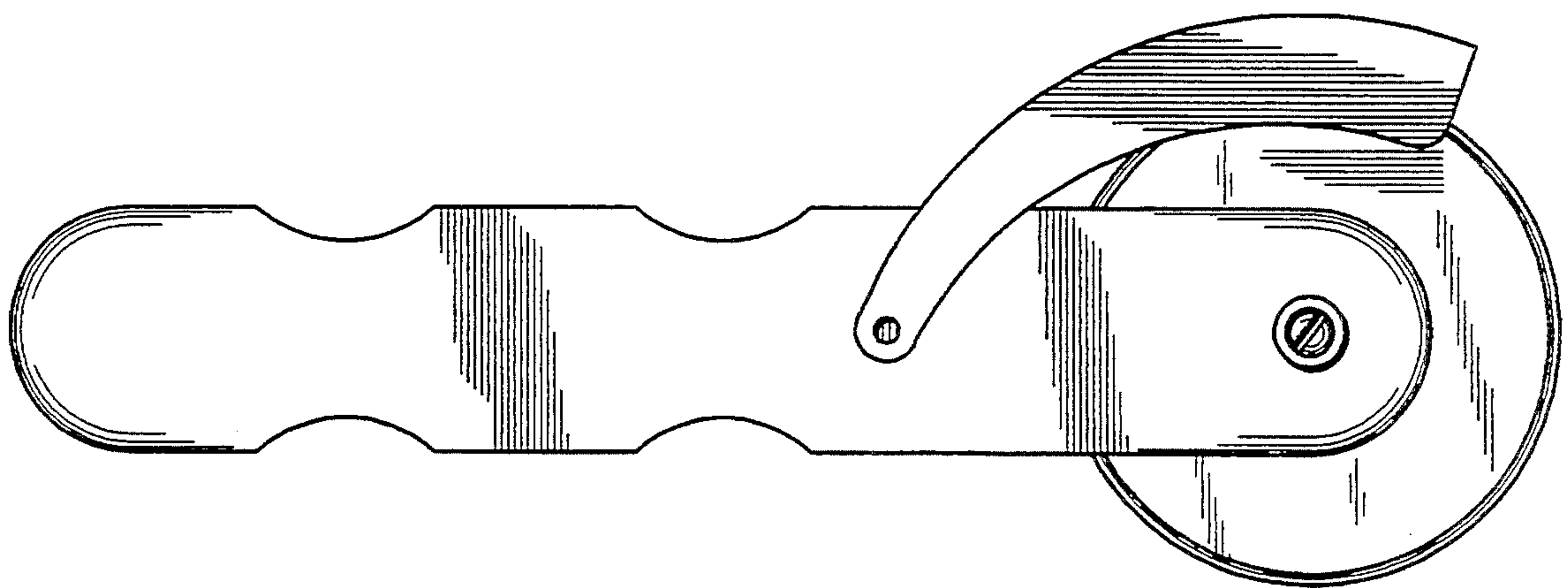


FIG. 2

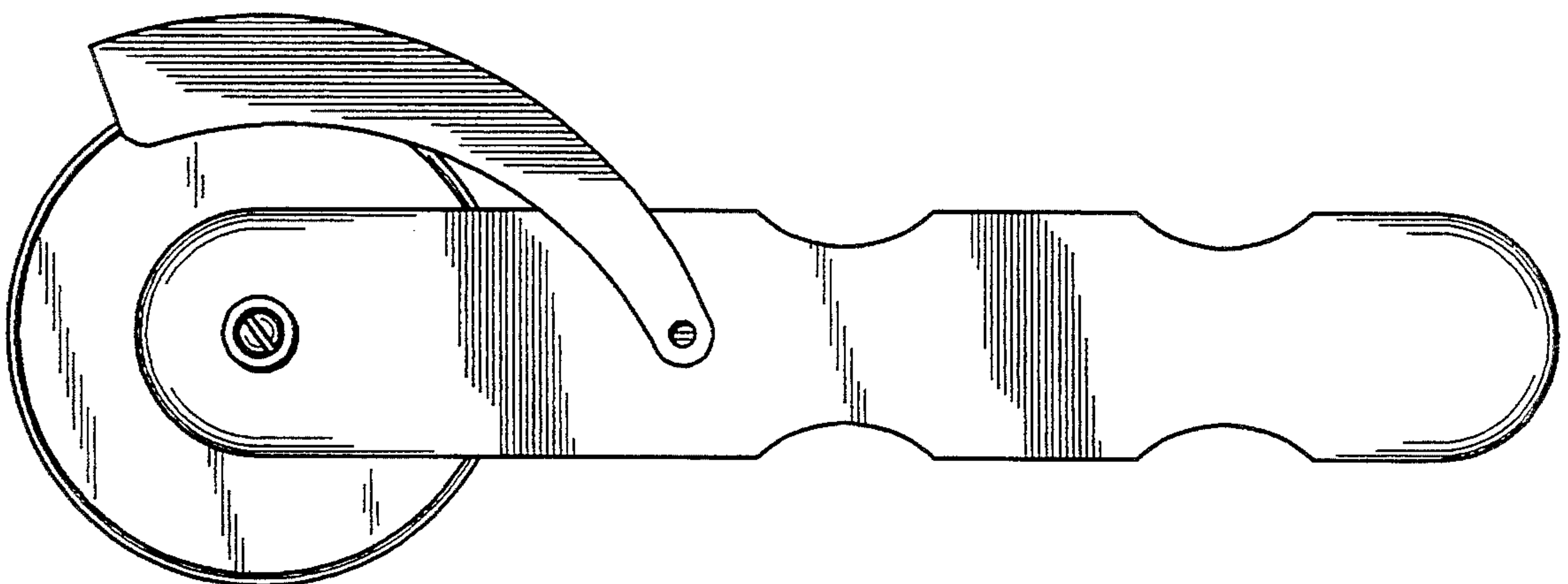


FIG. 3

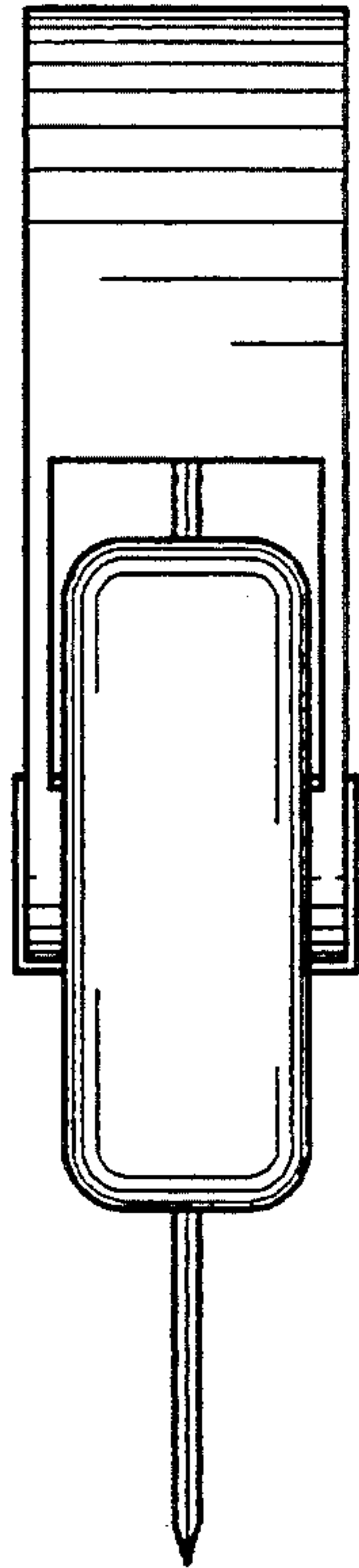


FIG. 4

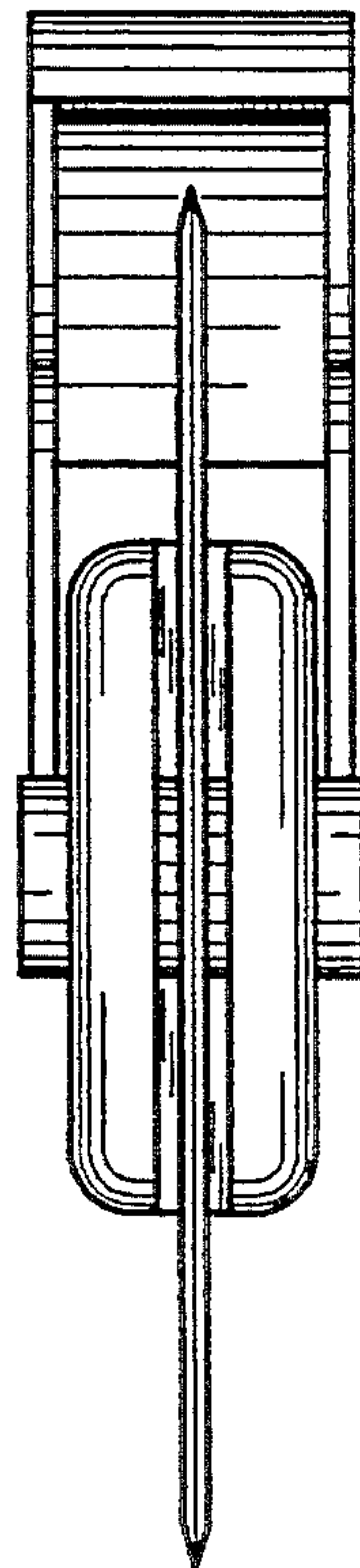


FIG. 5

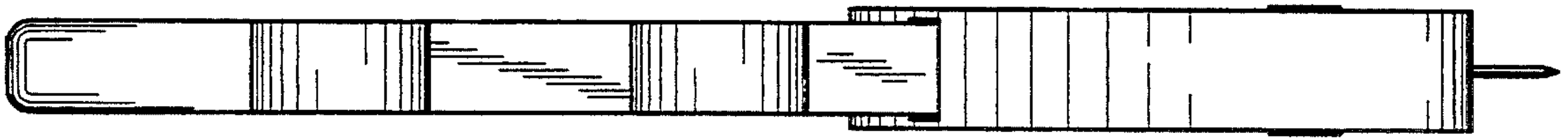


FIG. 6

