



US00D358750S

United States Patent [19]

[11] Patent Number: **Des. 358,750**

Regitko et al.

[45] Date of Patent: **** May 30, 1995**

[54] **MODIFIED MITER BOX**

[76] Inventors: **David B. Regitko**, 33 Dominion Way, Augusta, Ga. 30907; **Linda S. Madrack**, 355 Dartmouth Ct., Bensalem, Pa. 19020

[**] Term: **14 Years**

[21] Appl. No.: **17,253**

[22] Filed: **Jan. 10, 1994**

[52] U.S. Cl. **D8/71**

[58] Field of Search **D8/71, 72, 73, 74; 83/761, 762, 821; 30/286, 289, 290; 269/95, 29**

[56] **References Cited**

U.S. PATENT DOCUMENTS

D. 254,376 3/1980 Glomb et al. **D8/74**

Primary Examiner—Alan P. Douglas
Assistant Examiner—Jeffrey H. Musgrove
Attorney, Agent, or Firm—Terry M. Gernstein

[57] **CLAIM**

The ornamental design for a modified miter box, as shown and described.

DESCRIPTION

FIG. 1 is a front, top and side perspective view of the modified miter box embodying the design of the present invention;

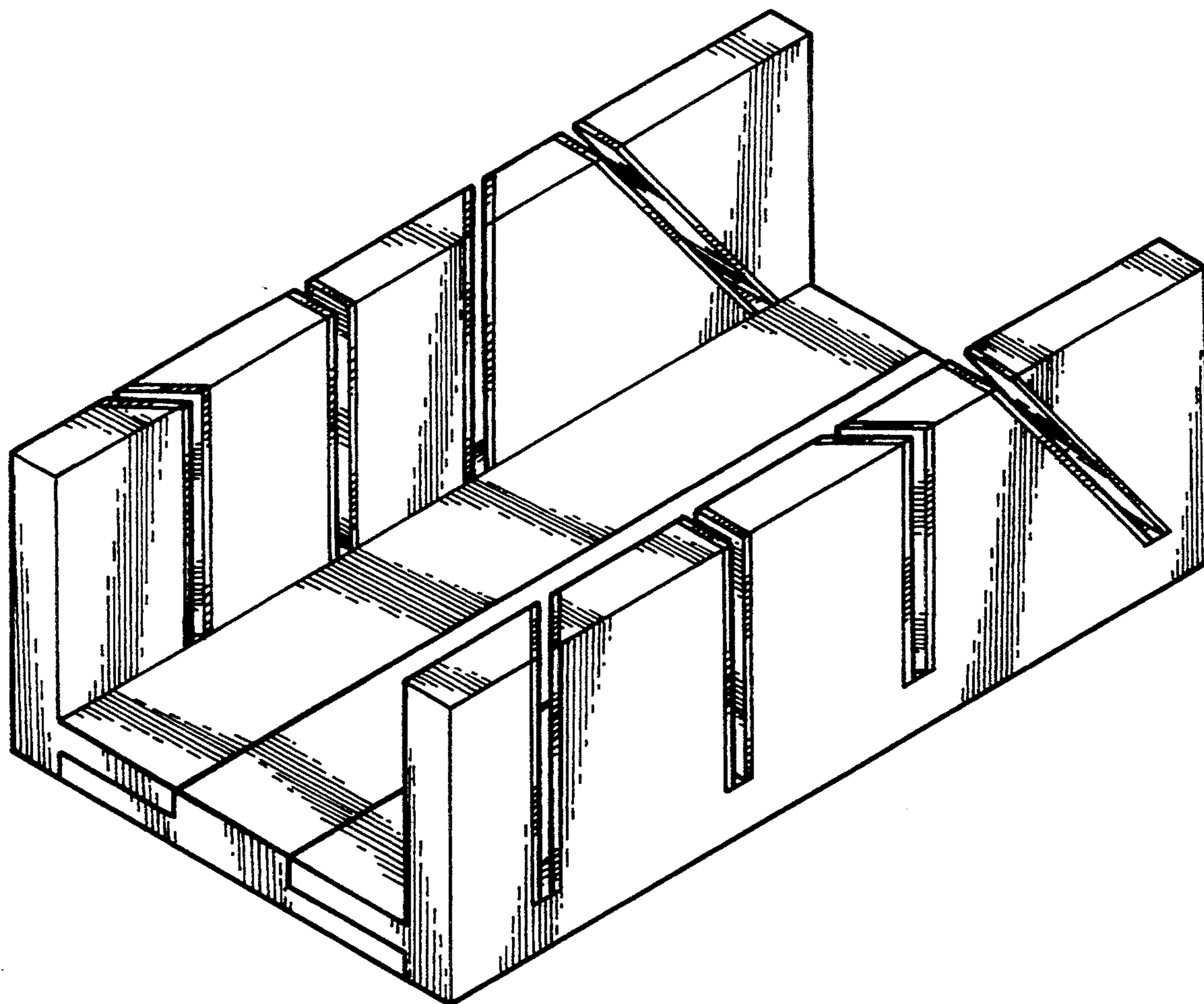
FIG. 2 is a front elevational view thereof, the rear being a mirror image of the front shown in FIG. 2;

FIG. 3 is a side elevational view thereof;

FIG. 4 is a side elevational view thereof;

FIG. 5 is a top plan view thereof; and,

FIG. 6 is a bottom plan view thereof.



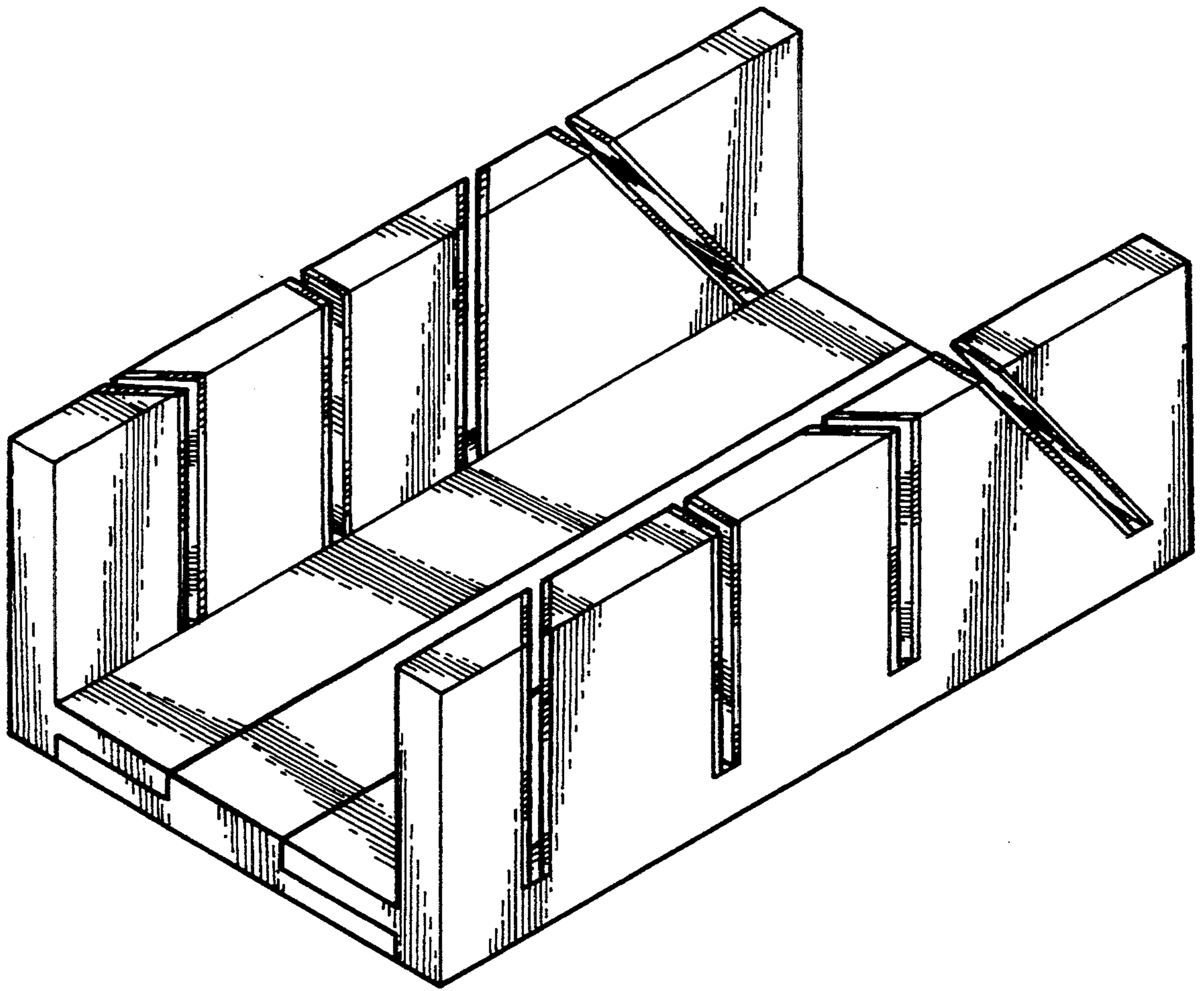


FIG. 1

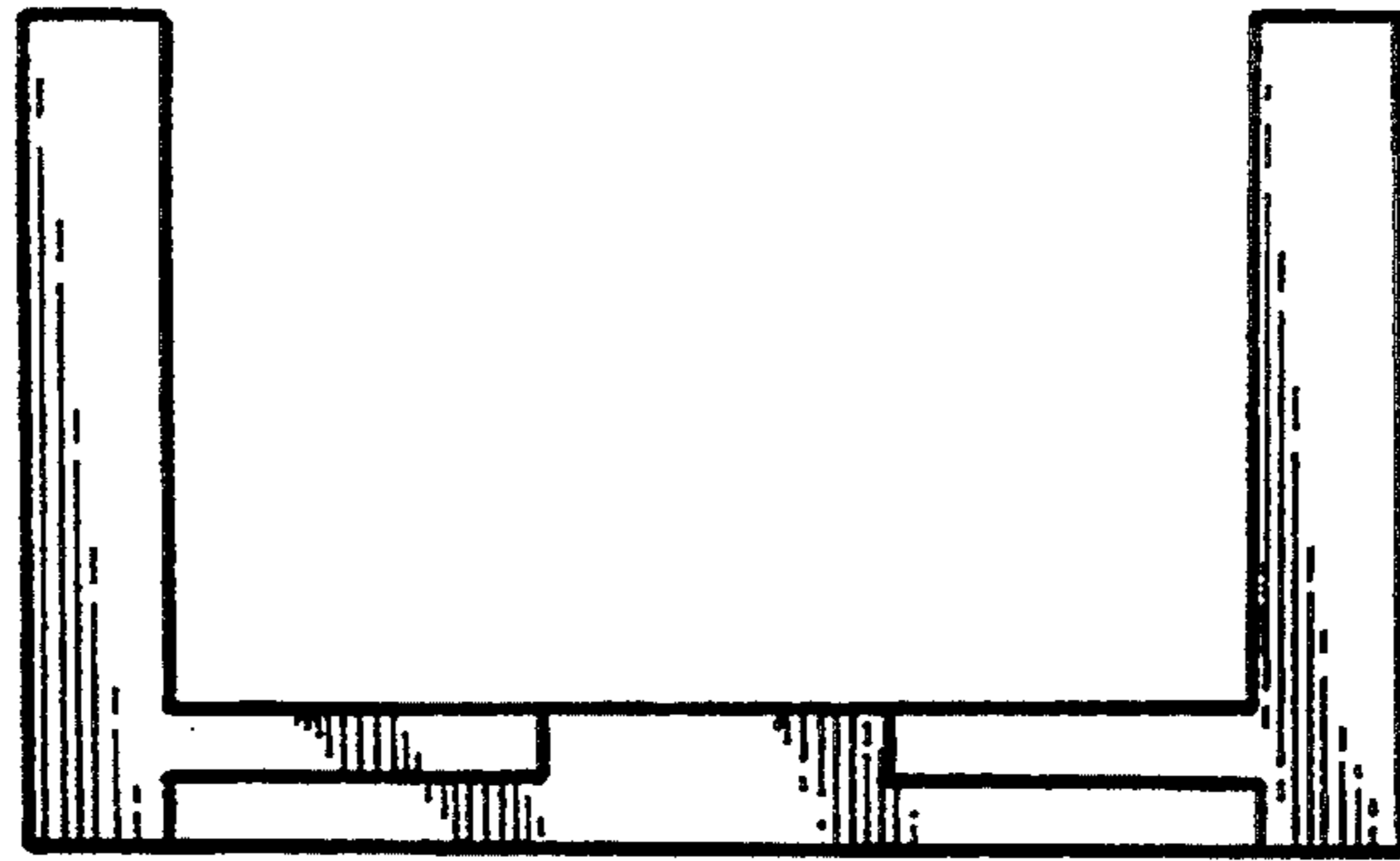


FIG. 2

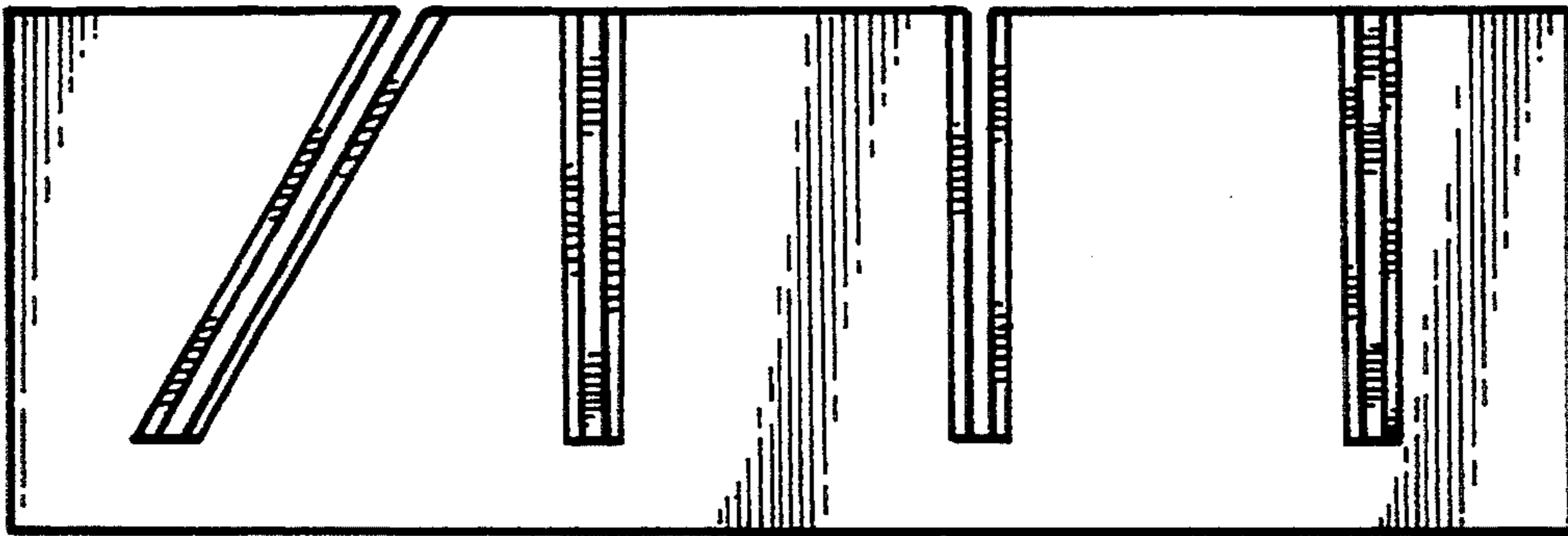


FIG. 3

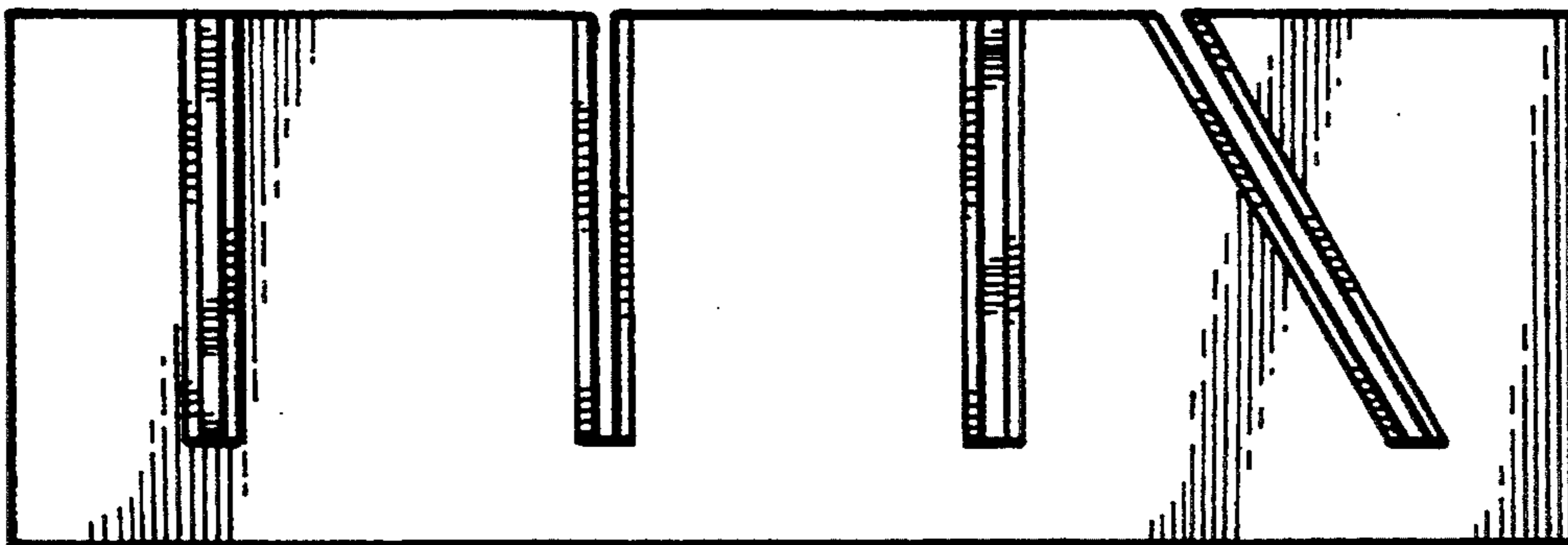


FIG. 4

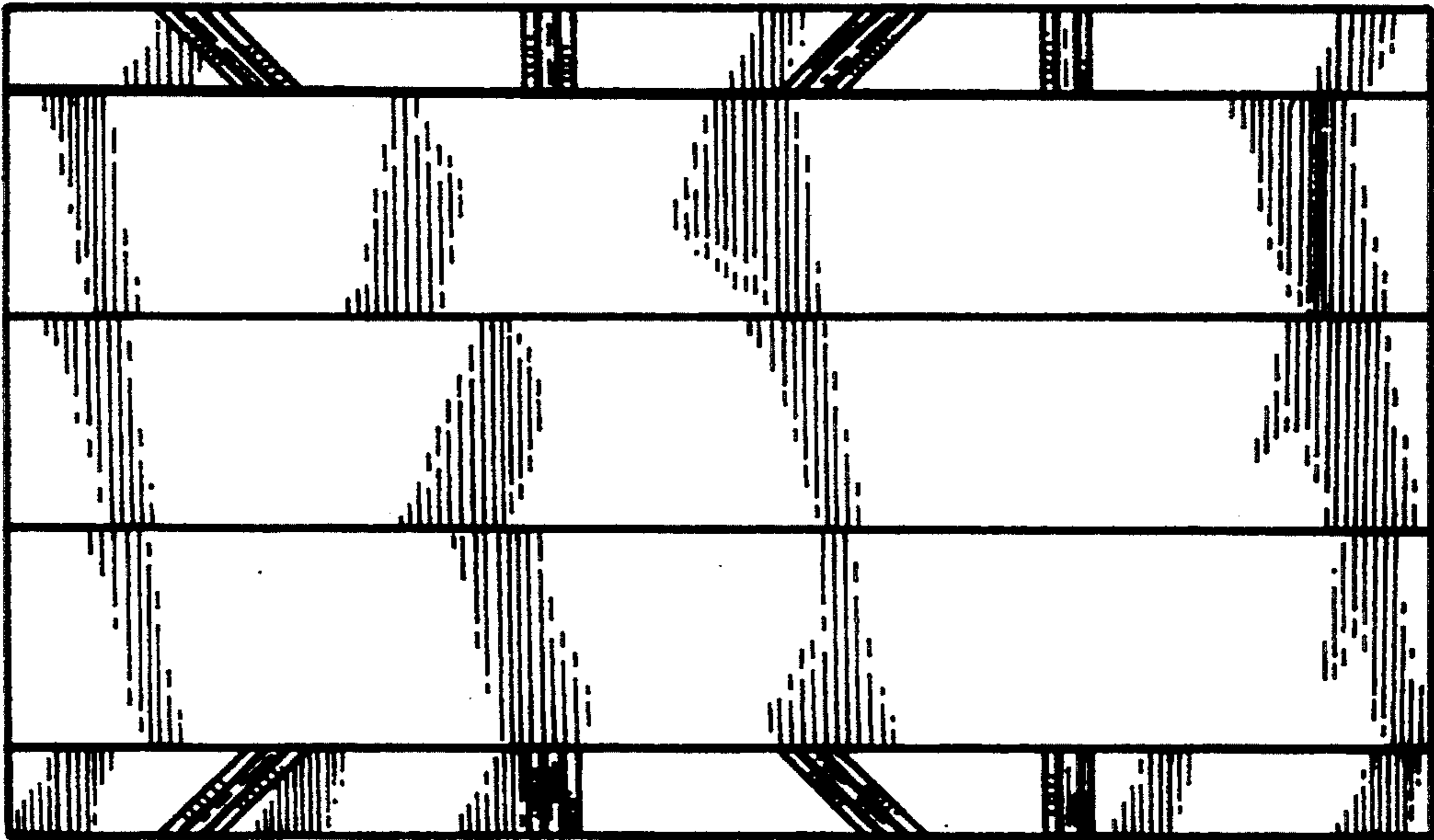


FIG. 5

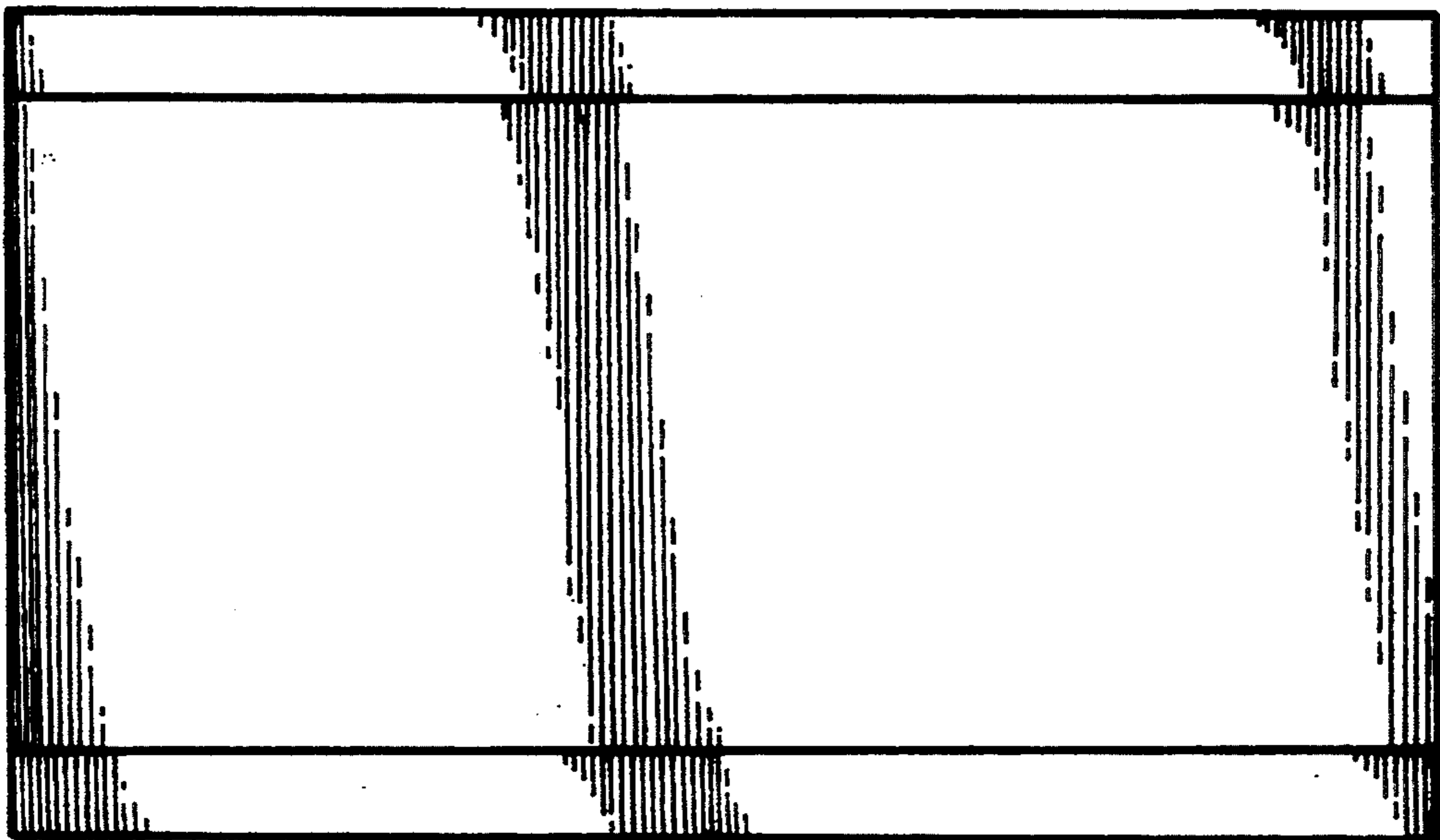


FIG. 6