



US00D358749S

United States Patent [19]

[11] Patent Number: **Des. 358,749**

Matsunaga et al.

[45] Date of Patent: **** May 30, 1995**

[54] **PNEUMATICALLY OPERATED PORTABLE NAIL GUN**

D. 338,818 8/1993 Katsuba D8/69
D. 338,819 8/1993 Ohkochi D8/69
D. 350,681 9/1994 Juhlin et al. D8/69

[75] Inventors: **Naoki Matsunaga, Milan, Italy;**
Takeshi Matsuoka, Katsuta, Japan

Primary Examiner—Alan P. Douglas
Assistant Examiner—Jeffrey H. Musgrove
Attorney, Agent, or Firm—Sughrue, Mion, Zinn,
Macpeak & Seas

[73] Assignee: **Hitachi Koki Co., Ltd., Tokyo, Japan**

[**] Term: **14 Years**

[57] **CLAIM**

[21] Appl. No.: **22,682**

The ornamental design for pneumatically operated portable nail gun, as shown.

[22] Filed: **May 10, 1994**

[52] U.S. Cl. **D8/69**

[58] Field of Search D8/69, 61, 49; 173/90,
173/93.7, 170, 48; 408/124, 125; 227/15, 115,
114, 130, 125, 8, 126, 127, 2

DESCRIPTION

FIG. 1 is a perspective view of a pneumatically operated portable nail gun showing our new design; FIG. 2 is a plan view of FIG. 1; FIG. 3 is a front view of FIG. 1; FIG. 4 is a right side view of FIG. 1; FIG. 5 is a left side view of FIG. 1; FIG. 6 is a rear view of FIG. 1; and, FIG. 7 is a bottom view of FIG. 1.

[56] **References Cited**

U.S. PATENT DOCUMENTS

D. 332,561 1/1993 Fushiya et al. D8/69
D. 334,329 3/1993 Ogawa et al. D8/69
D. 337,252 7/1993 Tsuru et al. D8/69

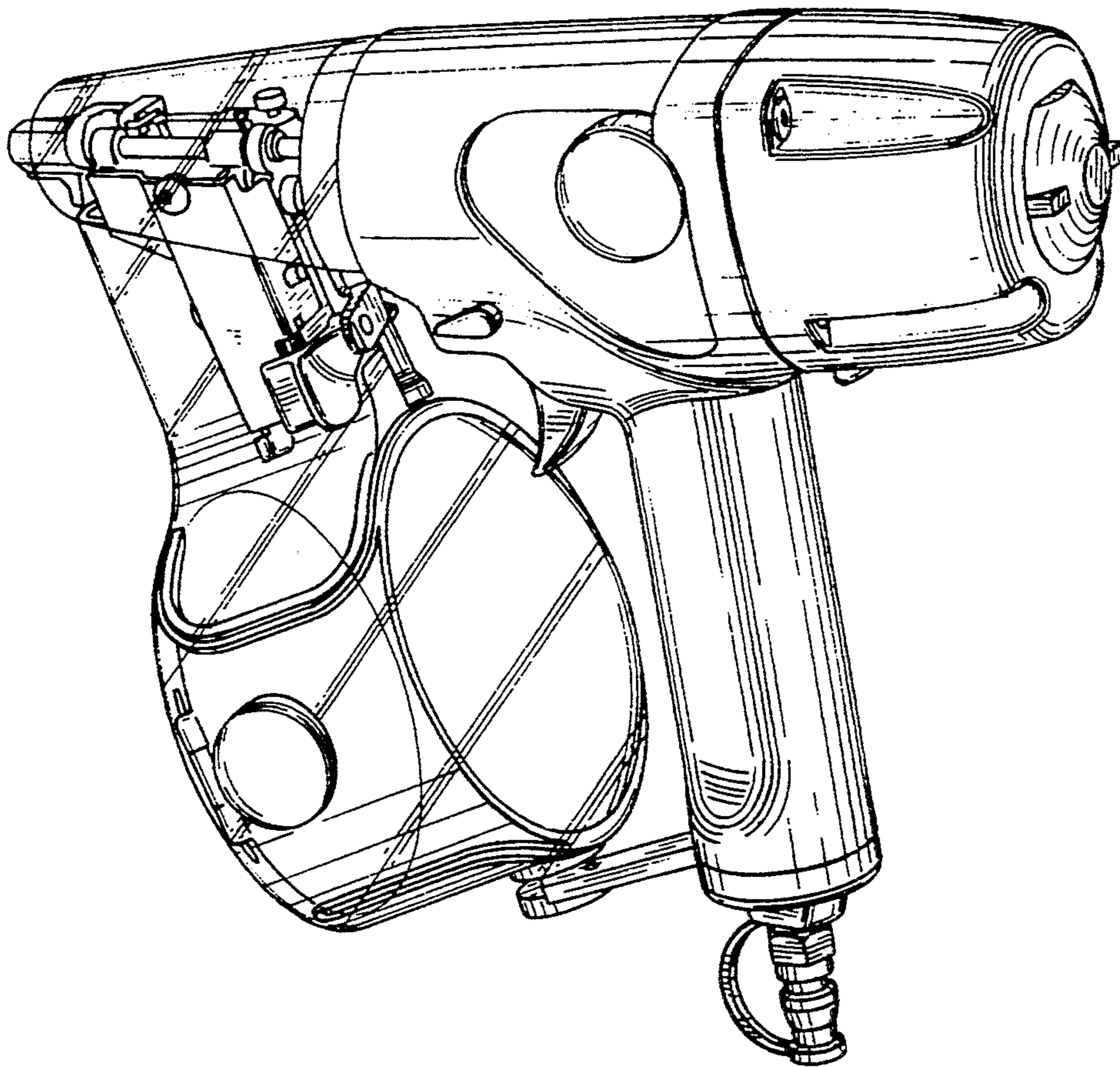


FIG. 1

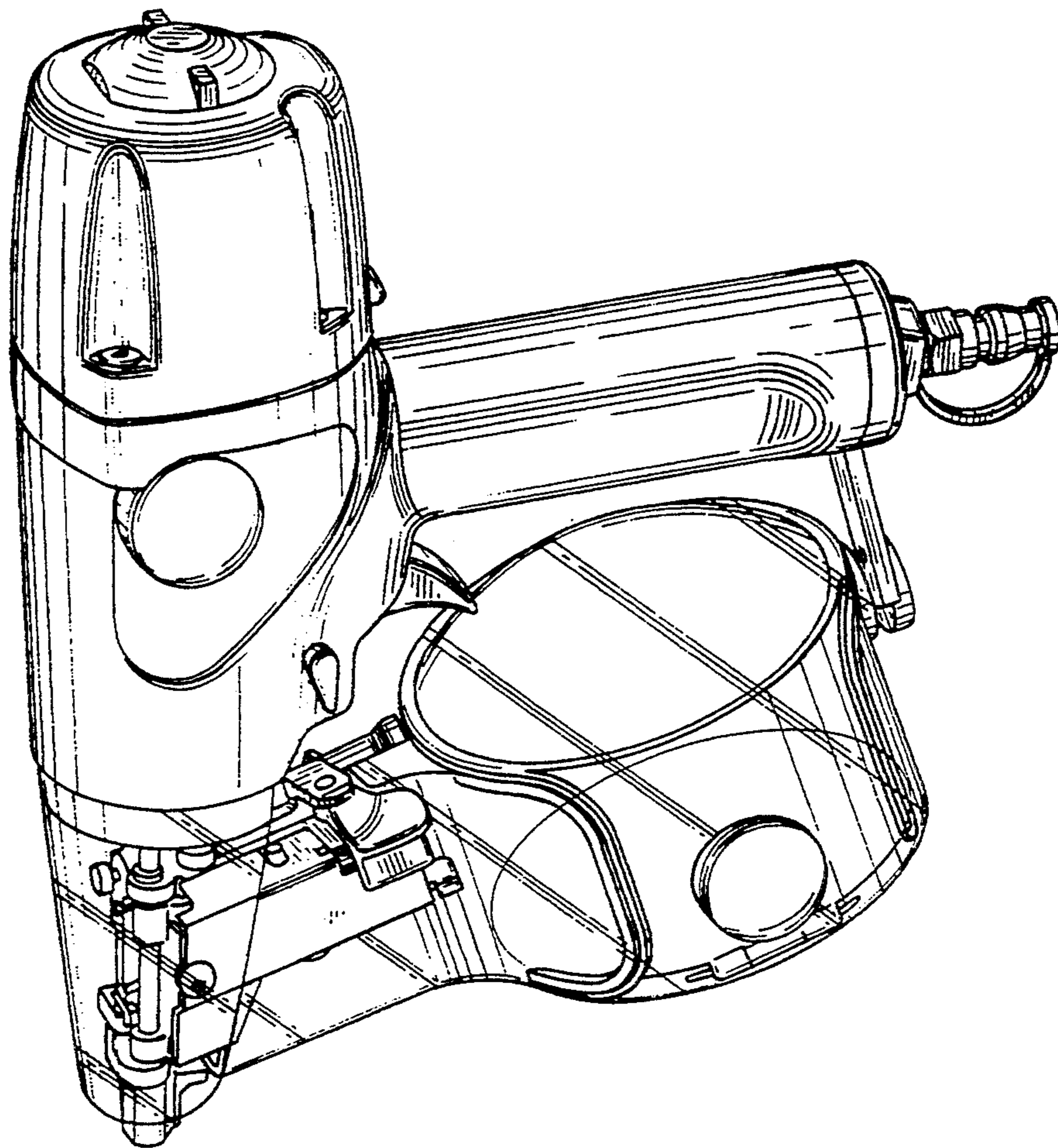


FIG. 2

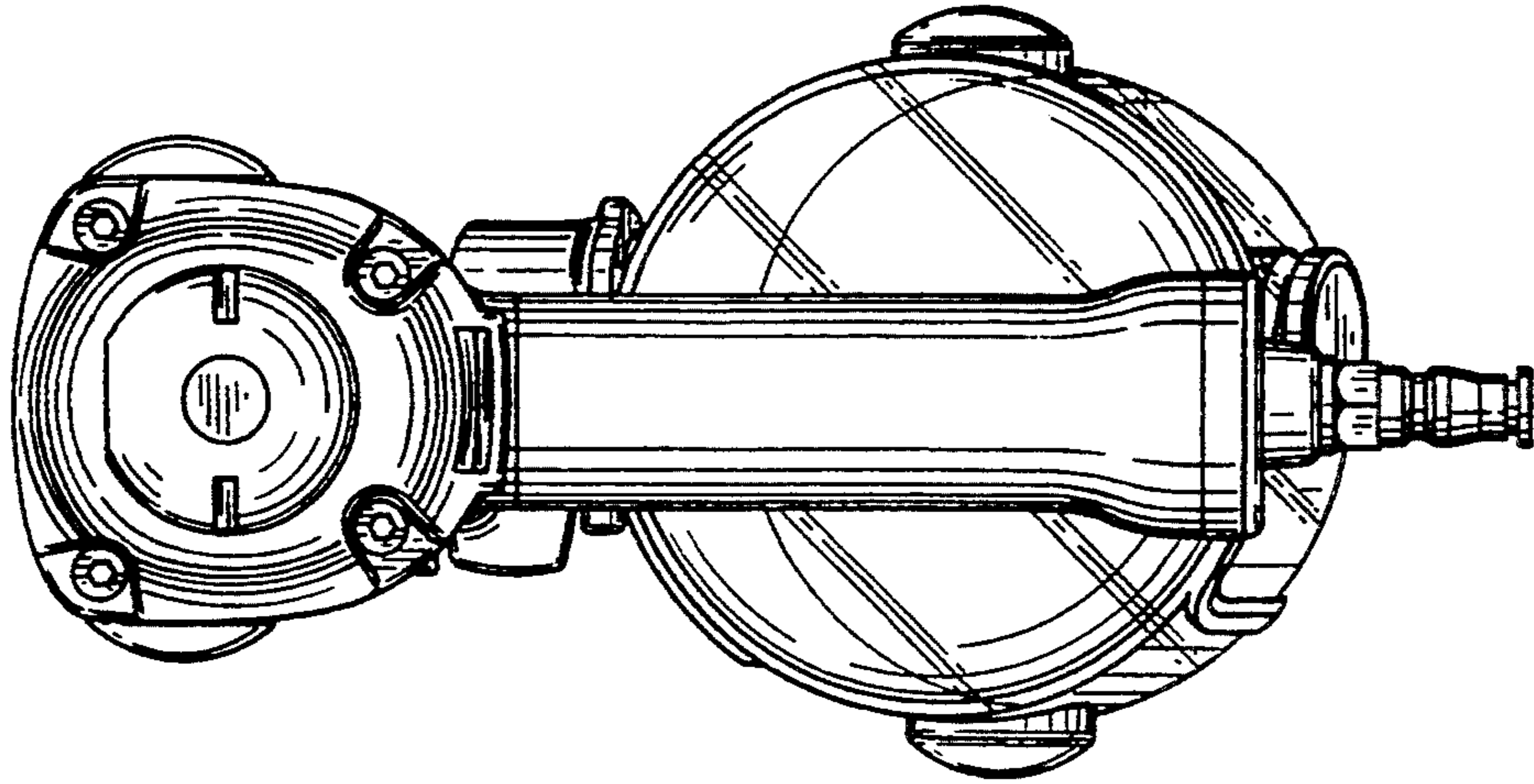


FIG. 3

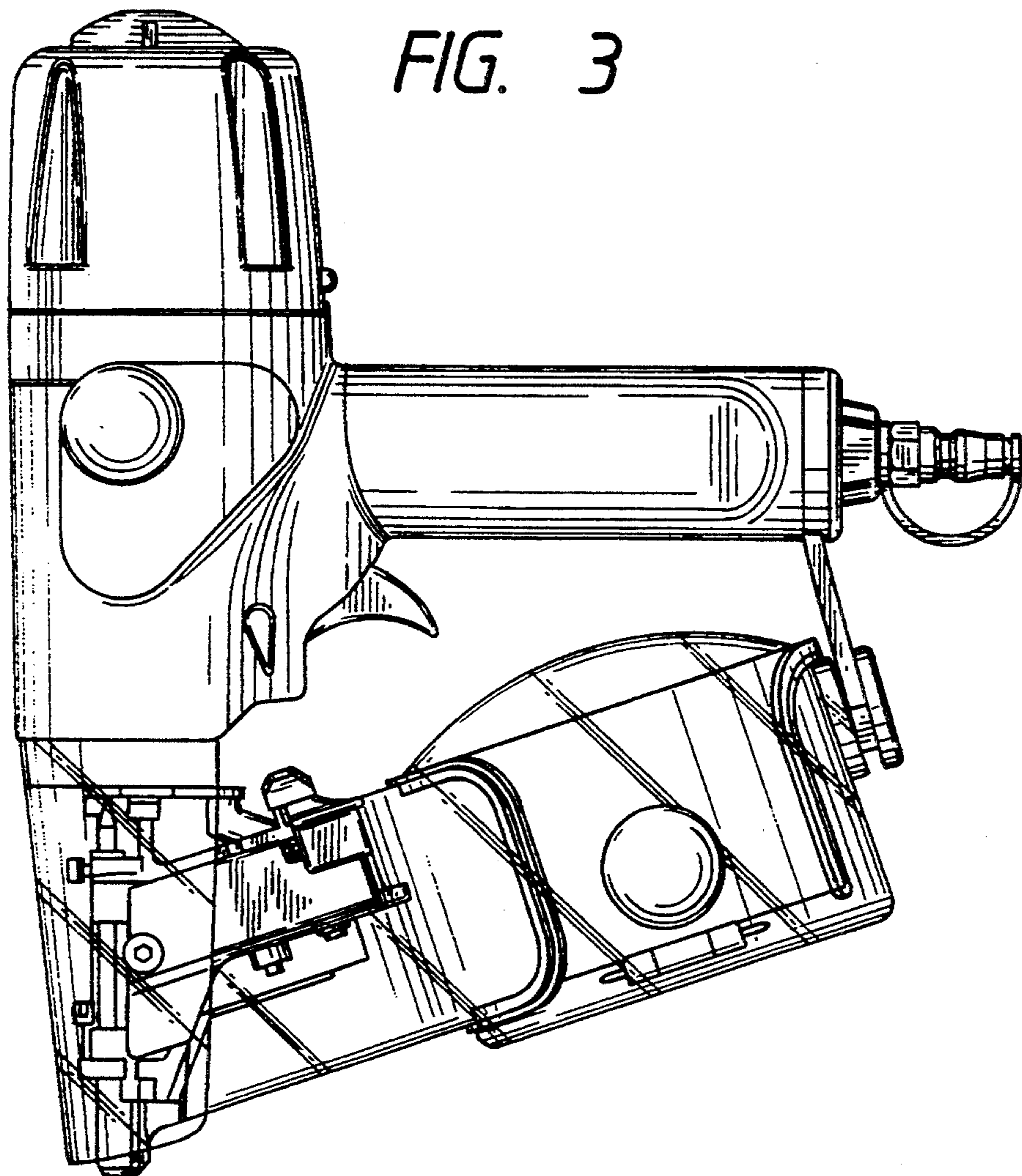


FIG. 4

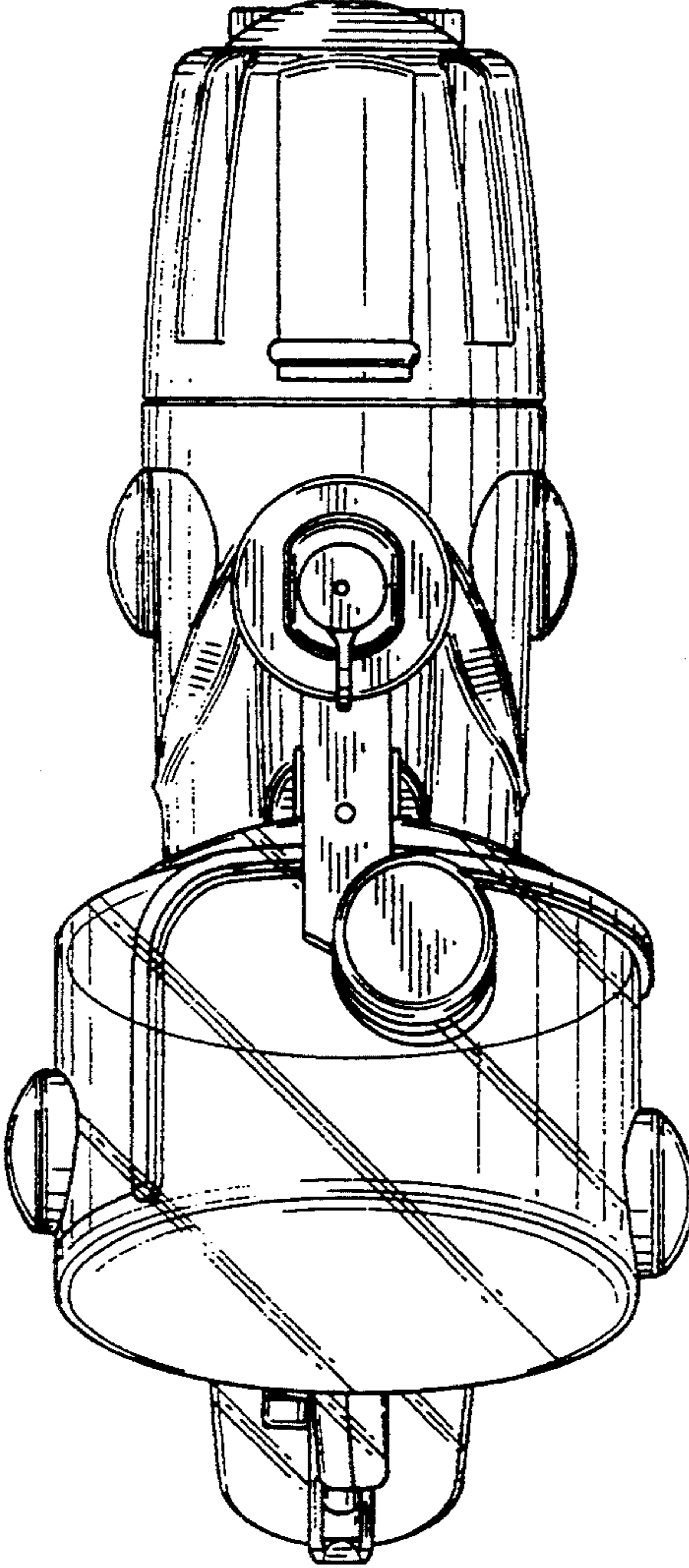


FIG. 5

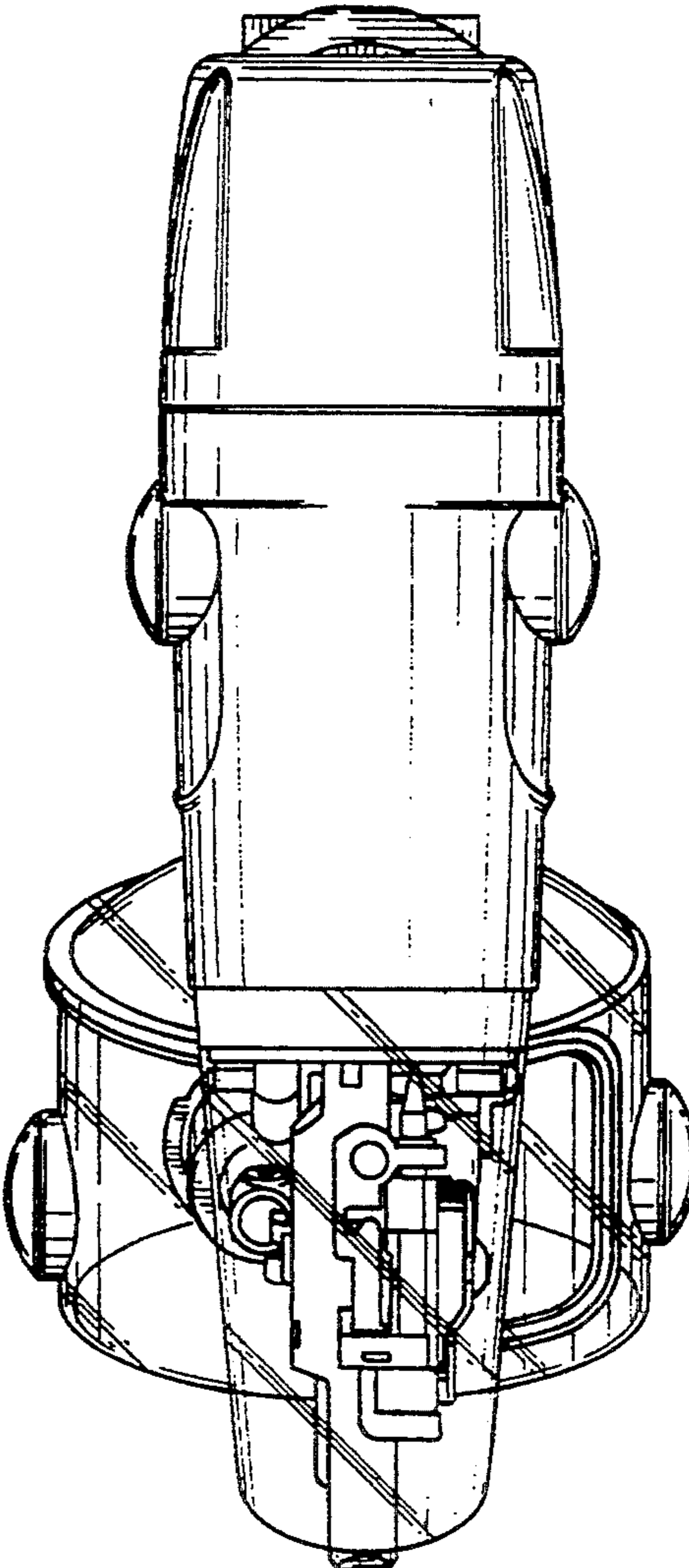


FIG. 6

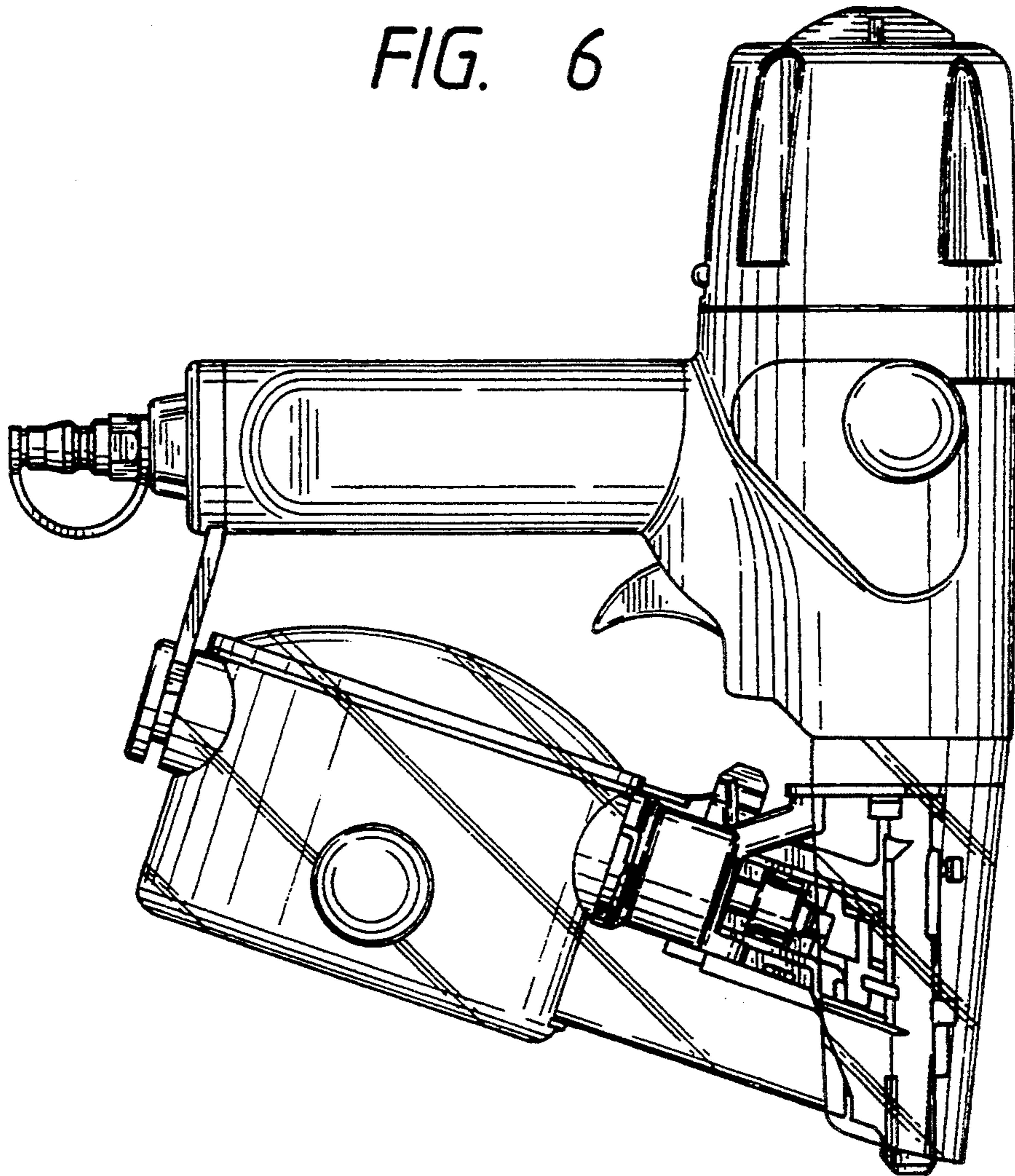


FIG. 7

