



US00D358746S

United States Patent [19]

Neff

[11] Patent Number: **Des. 358,746**

[45] Date of Patent: **** May 30, 1995**

[54] **LOCKING PLIERS**

[76] Inventor: **Ted Neff**, 24701 Raymond Way,
#115, Lake Forest, Calif. 92630

[**] Term: **14 Years**

[21] Appl. No.: **10,683**

[22] Filed: **Jul. 13, 1993**

[52] U.S. Cl. **D8/52**

[58] Field of Search **D8/14, 51, 52; 81/418,**
81/420, 367, 368, 426.5, 369, 370

2,966,818	1/1961	Froeschl	81/368
3,181,181	5/1965	Buckley et al.	81/368
3,195,382	7/1965	Rommel et al.	81/368
3,600,986	8/1971	Baldwin, Jr.	81/370
3,657,949	4/1972	Myers	81/370
3,996,822	12/1976	Battista	81/367

Primary Examiner—Theodore M. Shooman

Assistant Examiner—Philip Hyder

[57] **CLAIM**

The ornamental design for a locking pliers, as shown.

DESCRIPTION

FIG. 1 is a front elevational view of a locking pliers showing my new design;

FIG. 2 is a left side elevational view thereof;

FIG. 3 is a right side elevational view thereof;

FIG. 4 is a bottom plan view;

FIG. 5 is a rear elevational view thereof; and,

FIG. 6 is a perspective view thereof.

[56] **References Cited**

U.S. PATENT DOCUMENTS

2,523,385	9/1950	Mead	81/370
2,669,145	2/1954	Mead	81/370
2,800,823	7/1957	Tugend	81/370
2,838,973	6/1958	Petersen	81/369

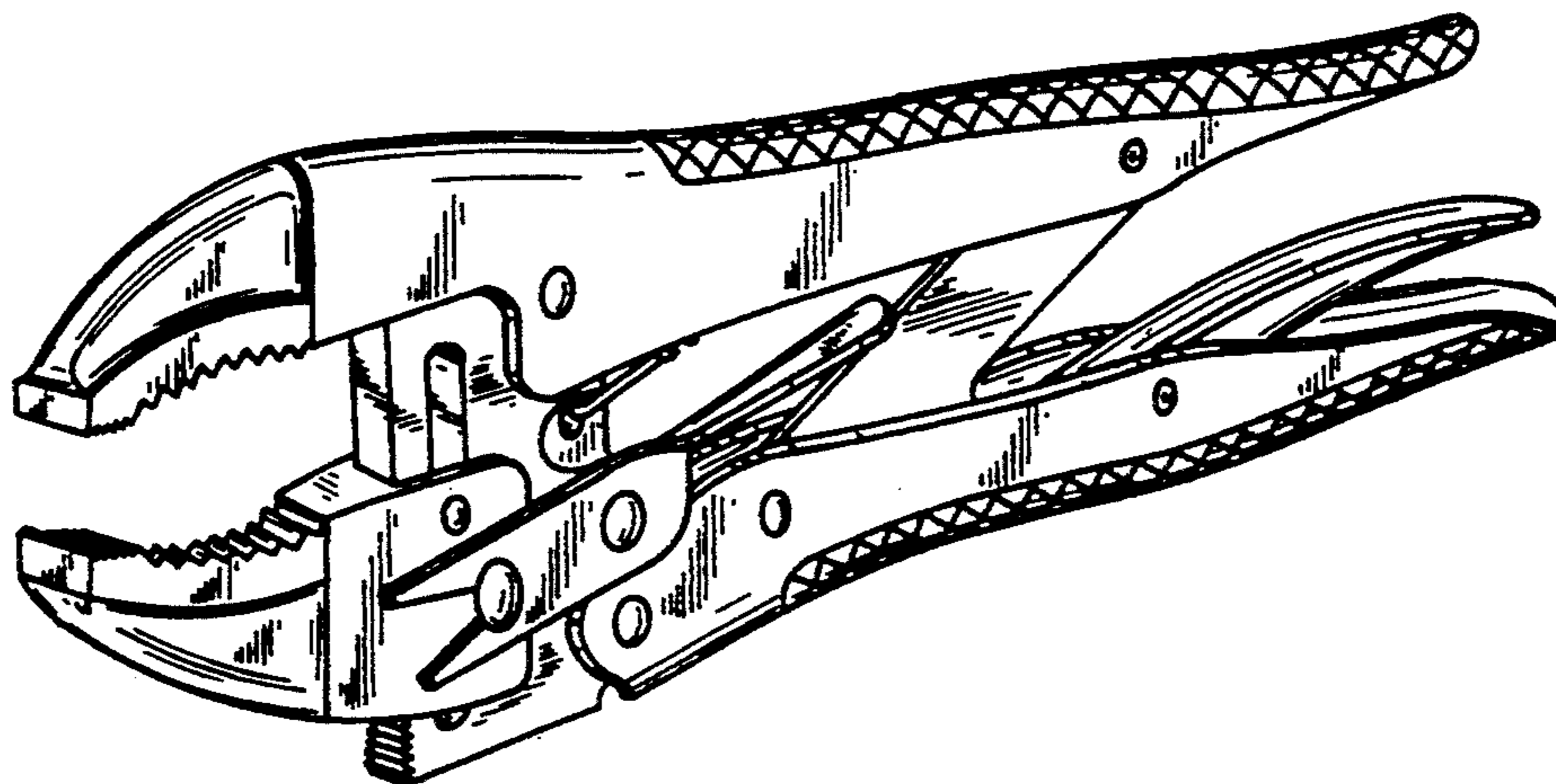




FIG. 2

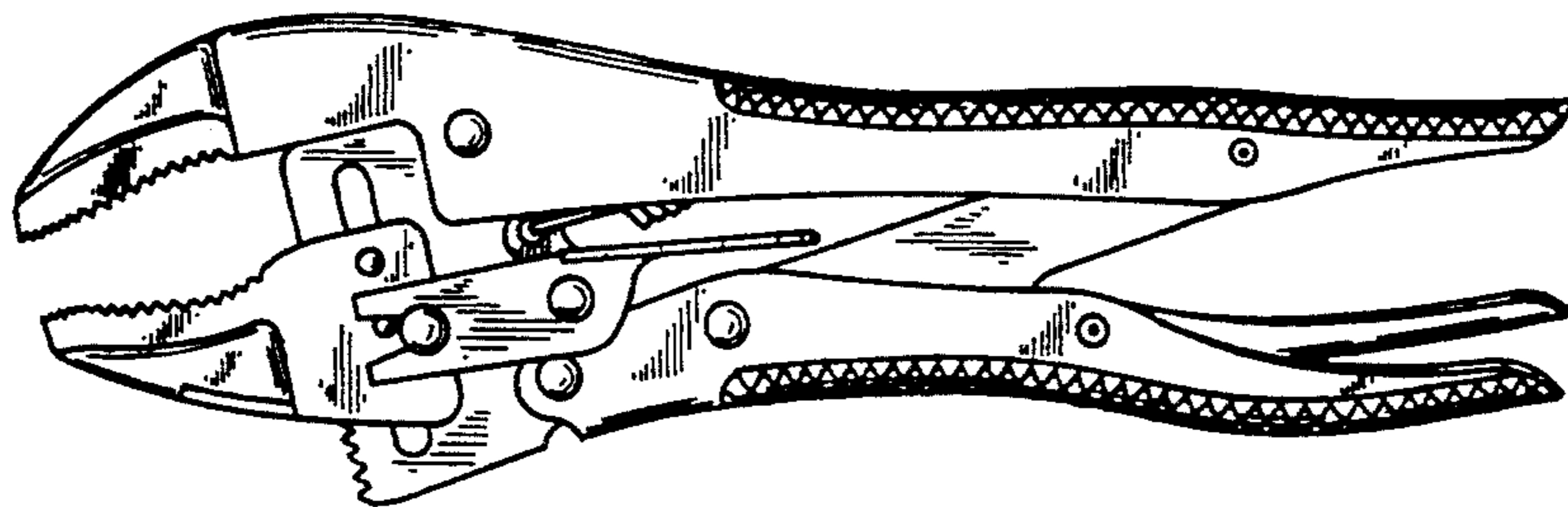


FIG. 1

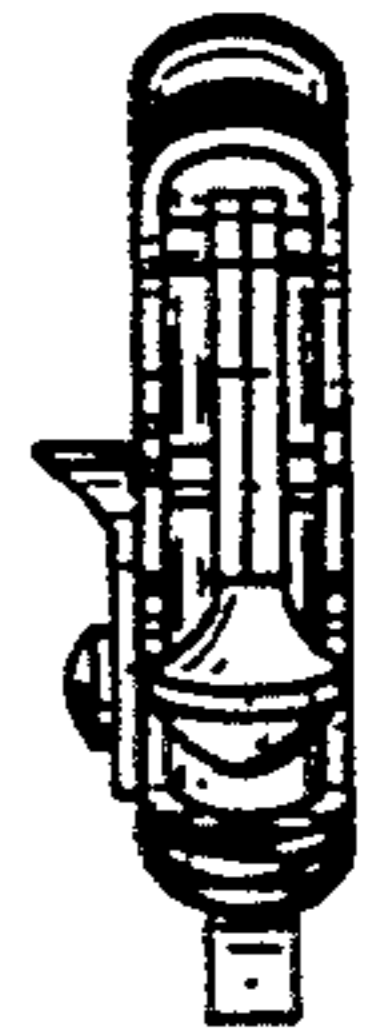


FIG. 3



FIG. 4

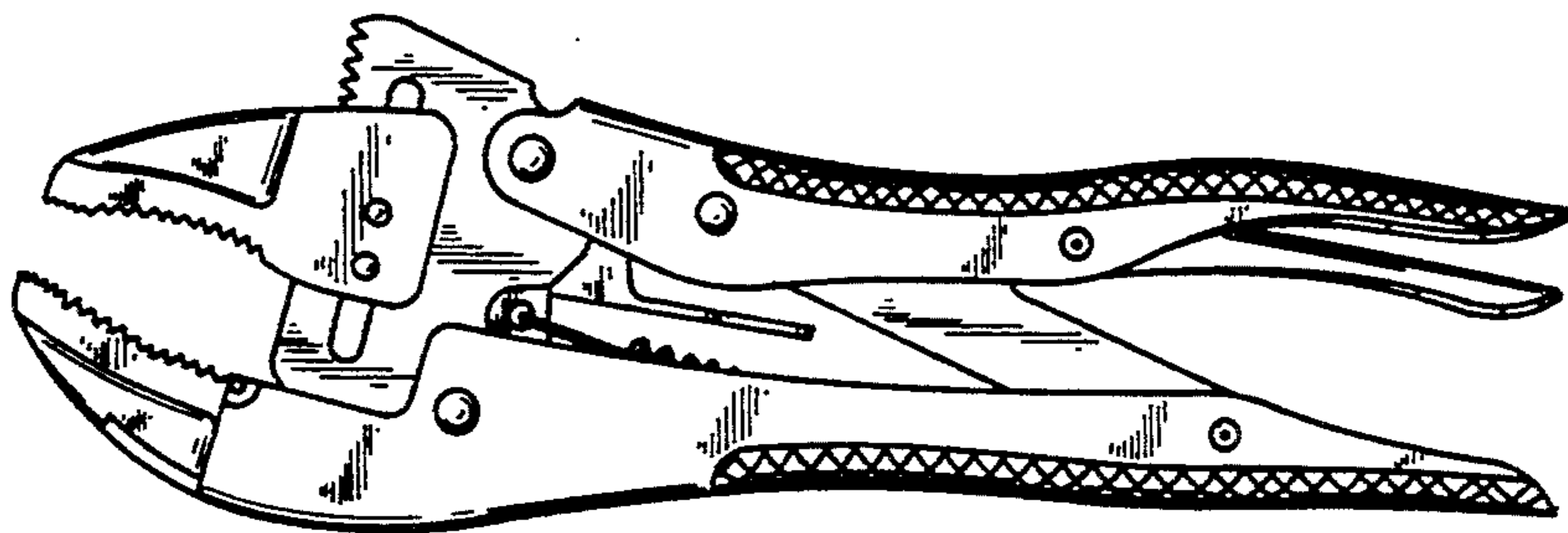


FIG. 5

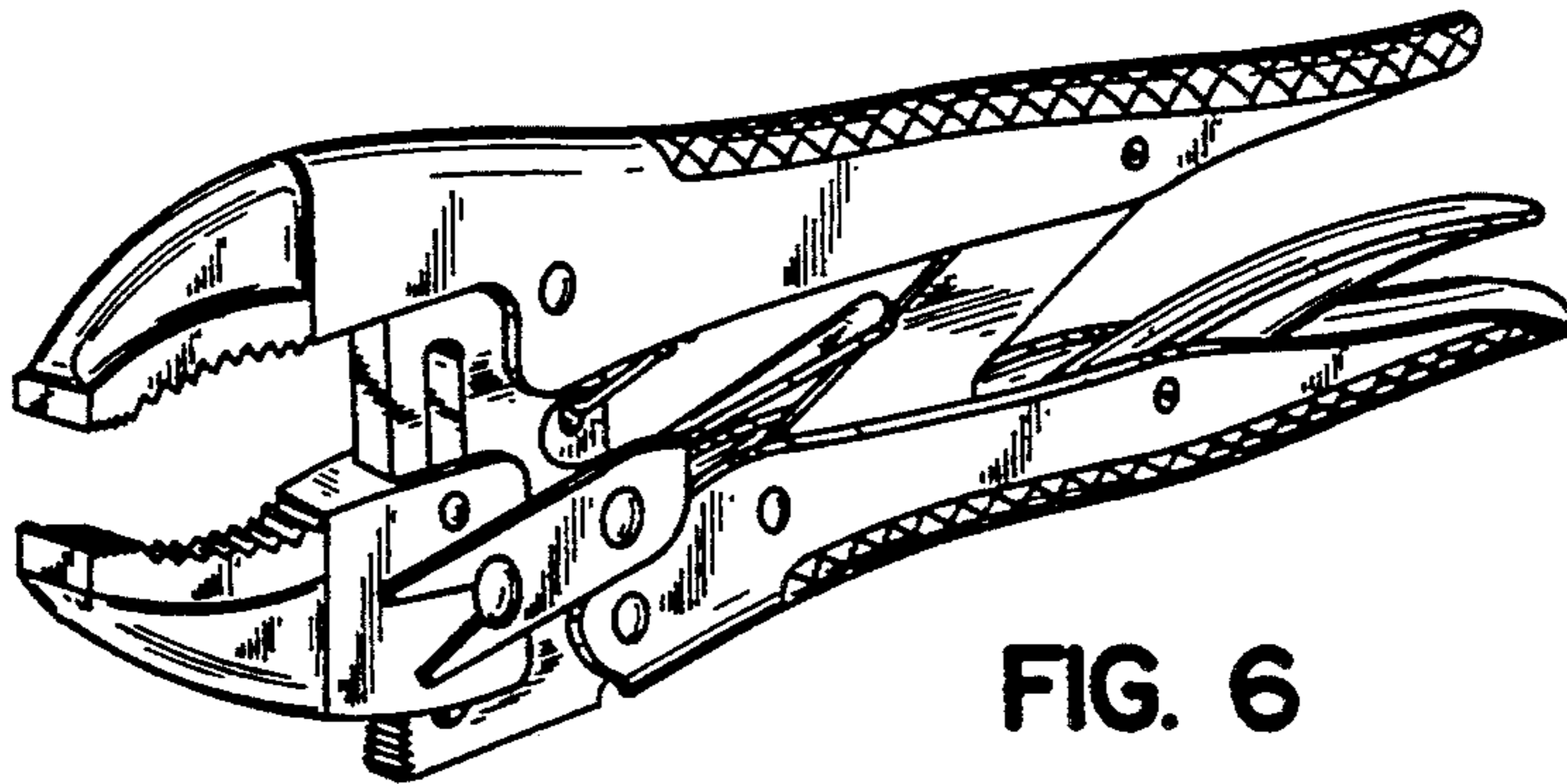


FIG. 6