



US00D358737S

United States Patent [19]

[11] Patent Number: **Des. 358,737**

Mendelson et al.

[45] Date of Patent: **** May 30, 1995**

[54] **COMBINATION FRYER AND ROASTER**
[75] Inventors: **Lewis A. Mendelson**, Overland Park, Kans.; **Donald L. Avise**, Lake Lotawana, Mo.; **David A. Modena**, Midlothian, Va.

D. 268,471 4/1983 Gremontprez D7/355
D. 273,168 3/1984 Bowen et al. D7/354
D. 276,022 10/1984 Bowen et al. D7/360
D. 321,810 11/1991 Schultz D7/363
D. 340,164 10/1993 Koch D7/363

[73] Assignee: **Dazey Corporation**, Industrial Airport, Kans.

Primary Examiner—Ruth McInroy
Attorney, Agent, or Firm—Litman, McMahon & Brown

[**] Term: **14 Years**

[57] **CLAIM**

[21] Appl. No.: **17,857**

The ornamental design for a combination fryer and roaster, as shown and described.

[22] Filed: **Jan. 24, 1994**

DESCRIPTION

[52] U.S. Cl. **D7/362**

FIG. 1 is a perspective view of a combination fryer and roaster showing our new design;
FIG. 2 is a reduced rear view thereof;
FIG. 3 is a reduced front view thereof;
FIG. 4 is a reduced left side view thereof;
FIG. 5 is a reduced top view thereof;
FIG. 6 is a reduced right side view thereof; and,
FIG. 7 is a reduced bottom view thereof.

[58] Field of Search **D7/362-367, D7/354-355, 360; 99/422-425**

[56] **References Cited**

U.S. PATENT DOCUMENTS

D. 256,760 9/1980 Rinaldi D7/360

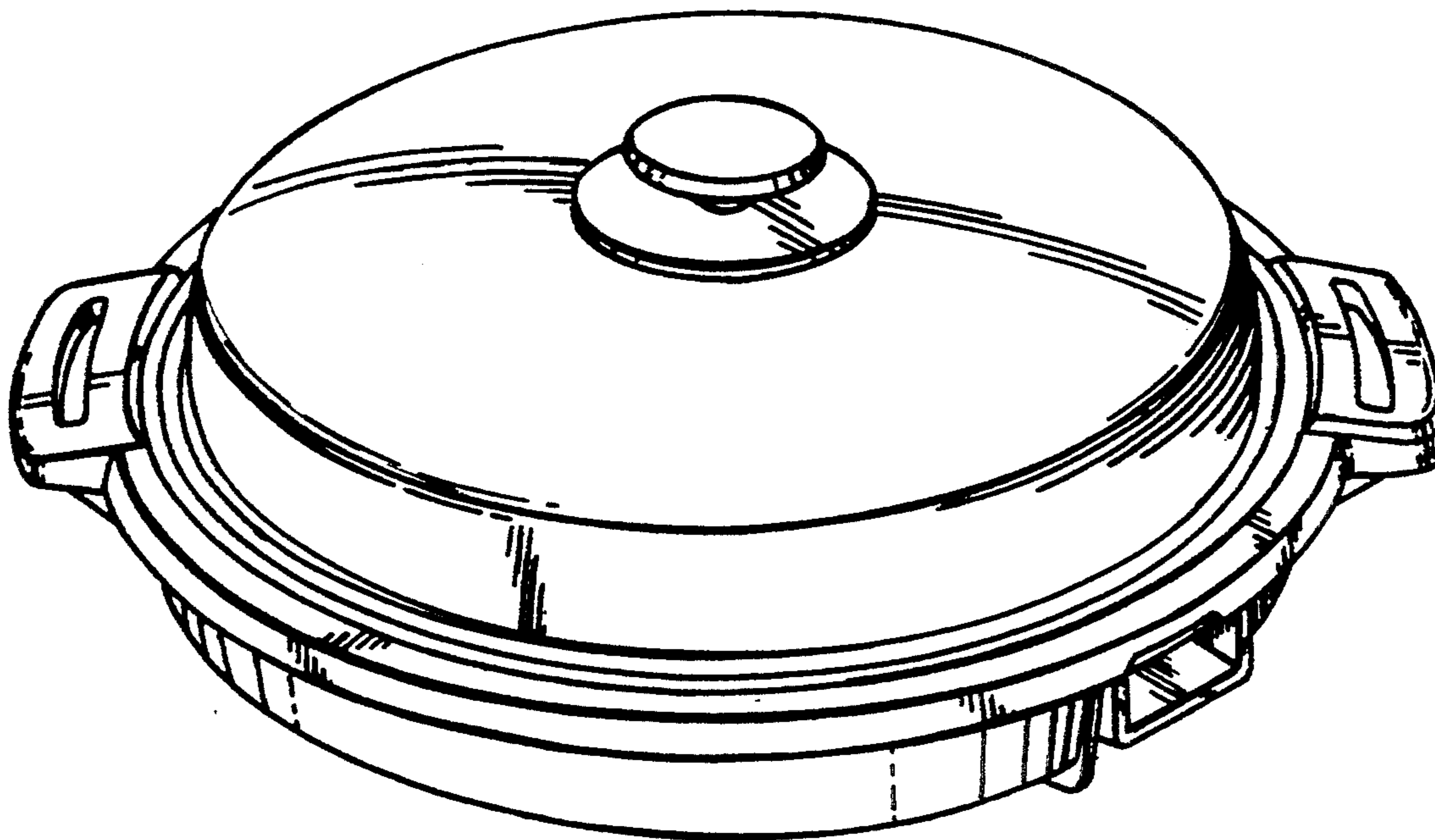


Fig. 1.

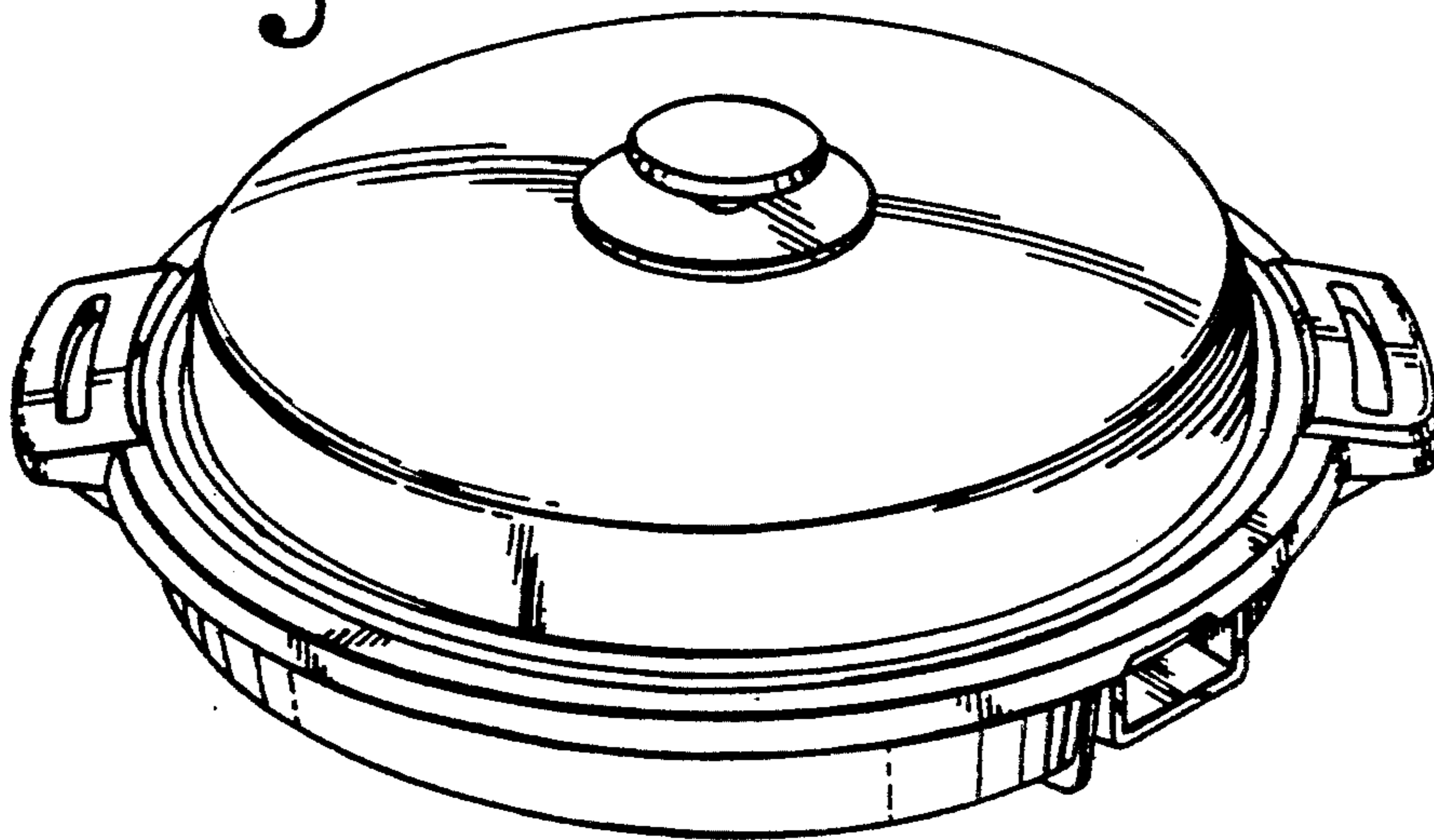


Fig. 2.

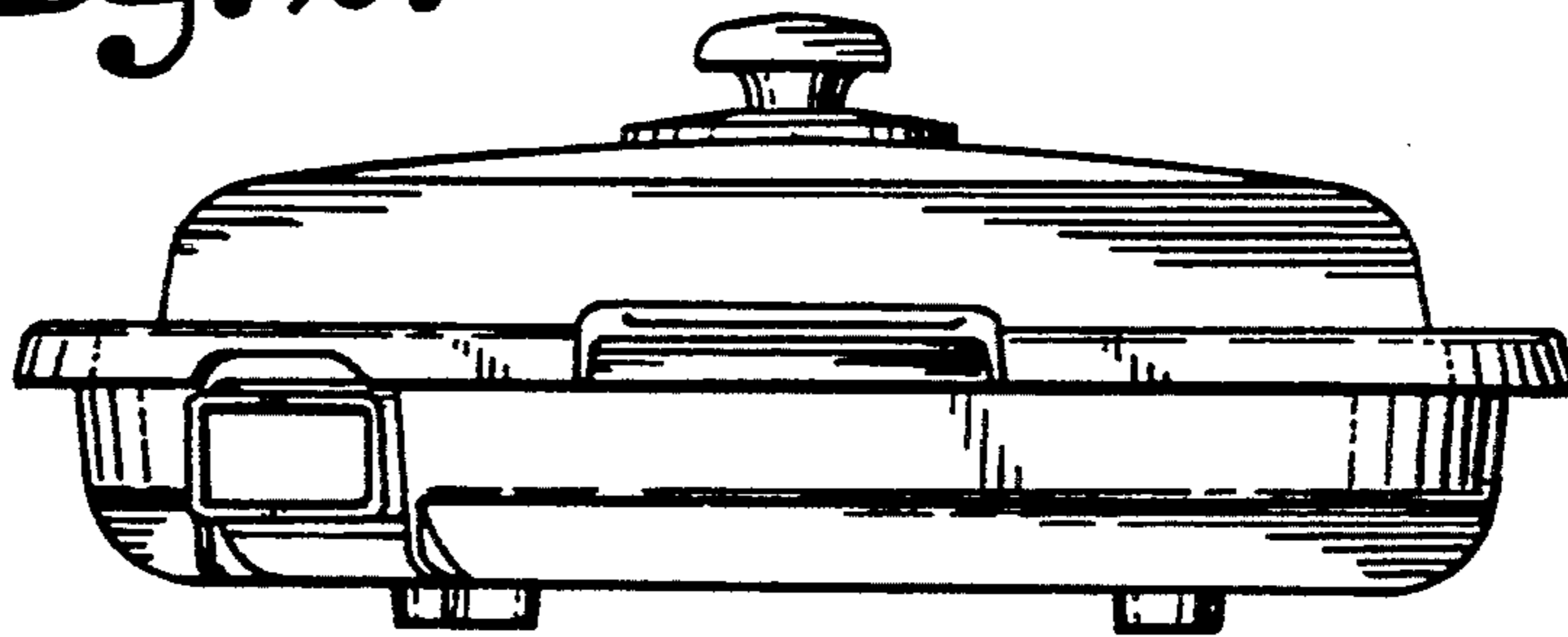


Fig. 3.

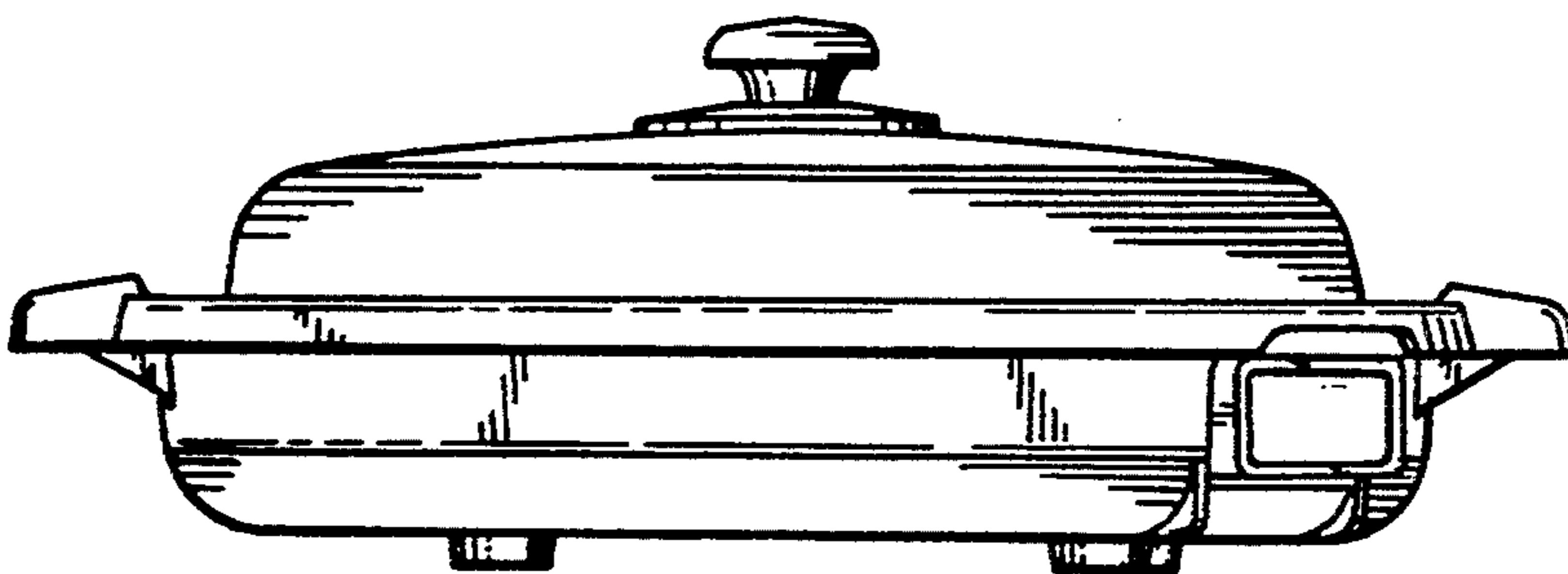
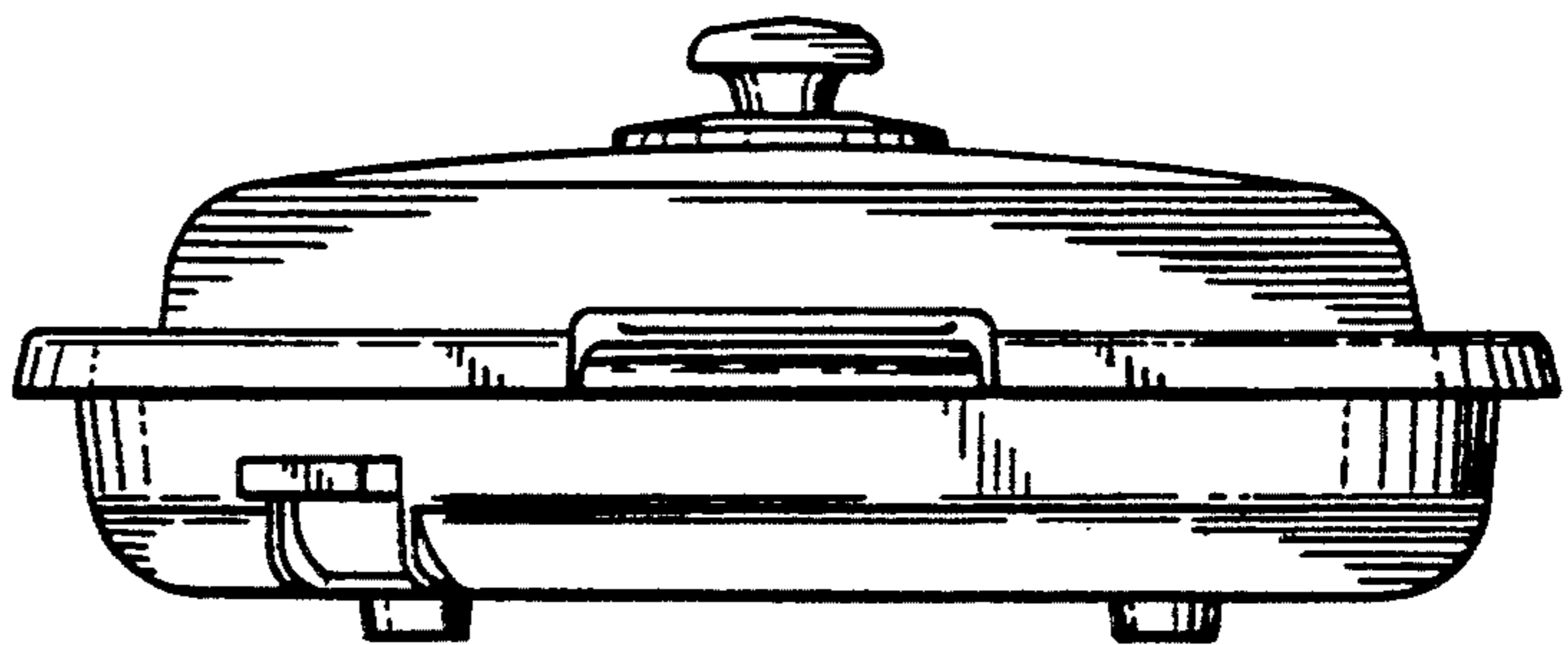


Fig. 4.

Fig. 5.

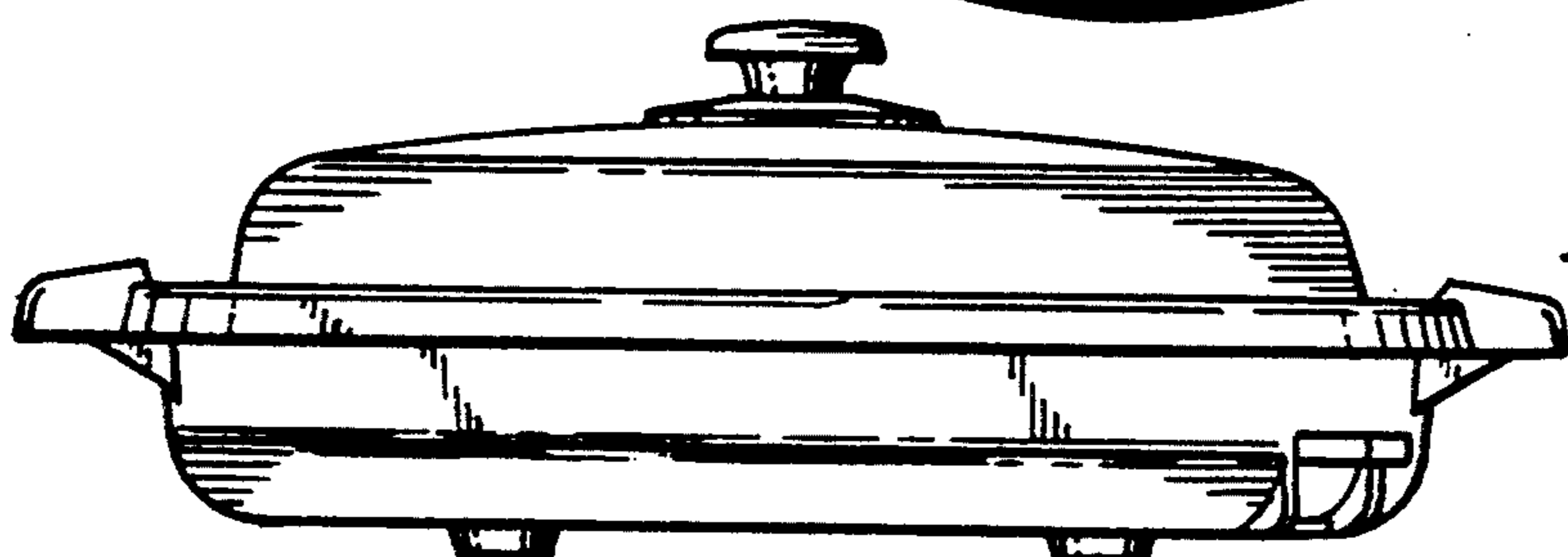
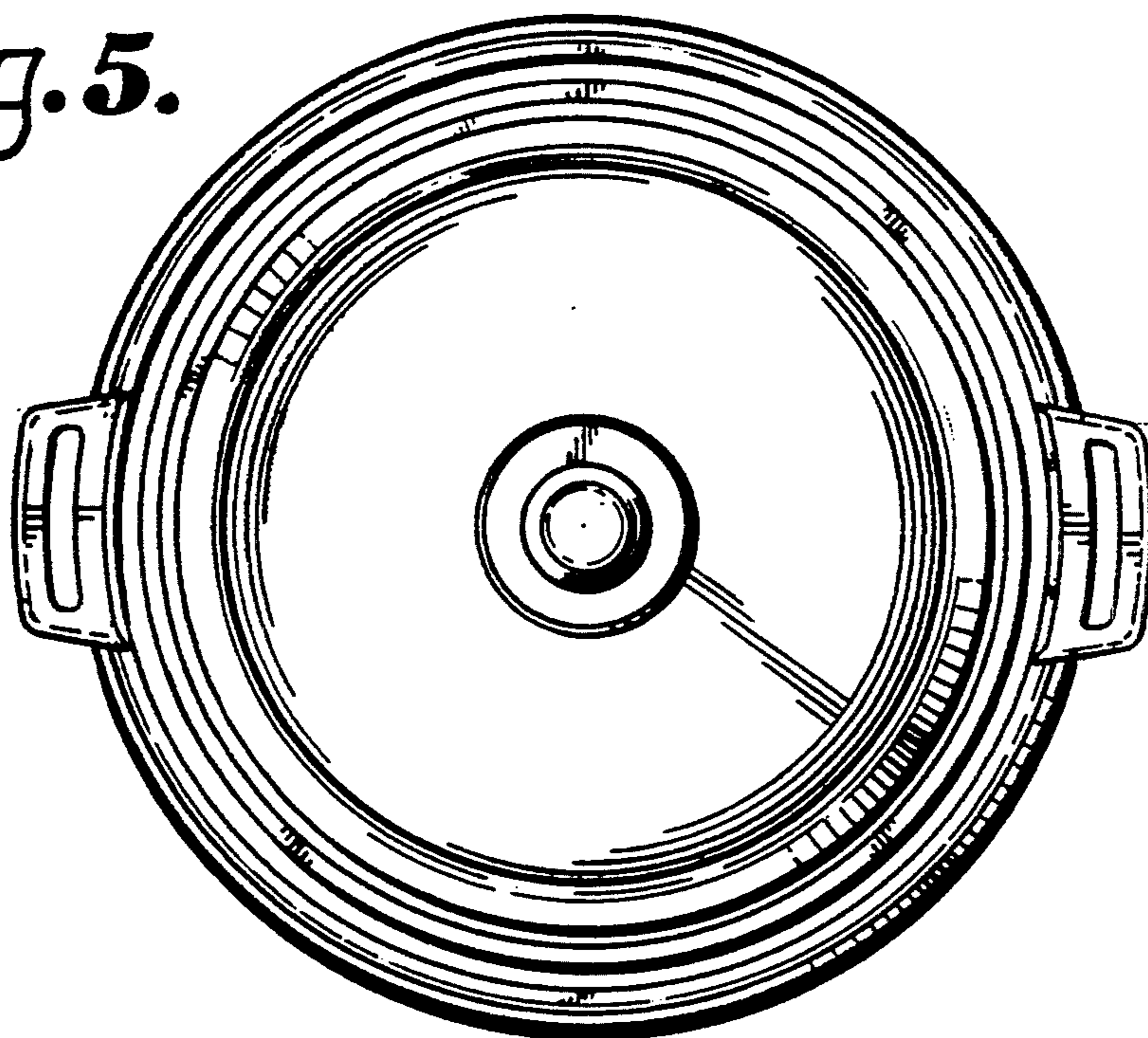


Fig. 6.

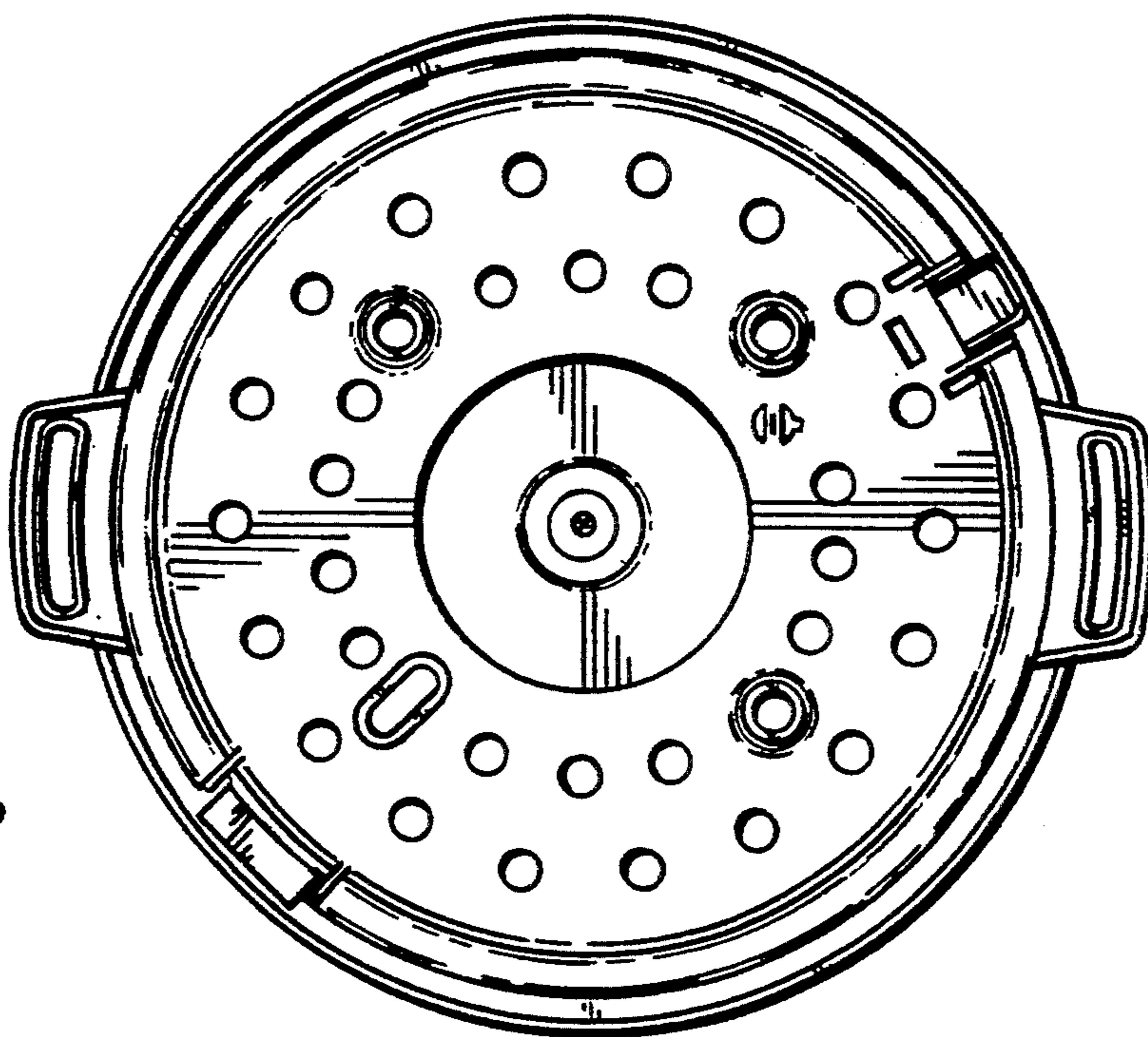


Fig. 7.