



US00D358733S

United States Patent [19]

[11] Patent Number: **Des. 358,733**

Paul

[45] Date of Patent: **** May 30, 1995**

[54] **BATHROOM SHELF**

D. 310,147 8/1990 Aaron D6/574 X

[75] Inventor: **Stanley M. Paul**, Long Island City, N.Y.

OTHER PUBLICATIONS

[73] Assignee: **American Standard Inc.**, N.J.

Baldwin Bath "Epic Accessories", Catalogue, New York Style shelf, p. 9.

[**] Term: **14 Years**

Paul Associates Catalogue, "Rouleau Design" shelf, p. 30.

[21] Appl. No.: **27,219**

Tubular Specialties Mfg Catalogue 800 Shelf #813, p. 15.

[22] Filed: **Aug. 16, 1994**

Primary Examiner—Brian N. Vinson

Attorney, Agent, or Firm—Elaine Brenner Robinson; Ann M. Knab

Related U.S. Application Data

[62] Division of Ser. No. 331,921, Mar. 31, 1989, abandoned.

[52] U.S. Cl. **D6/574**

[58] Field of Search **D6/524-525, D6/574, 567; 108/29-30; 211/13, 86-88, 90, 126, 134, 123**

[57] CLAIM

The ornamental designs for bathroom shelf, as shown and described.

[56] References Cited

U.S. PATENT DOCUMENTS

D. 97,398 11/1935 Levett D6/567 X
D. 299,400 1/1989 Fayerman et al. D6/574 X

DESCRIPTION

FIG. 1 is a perspective view of a shelf, as viewed from the top, front and left side thereof, embodying my new design; and, FIG. 2 is a view similar to FIG. 1 but as seen from the rear thereof.

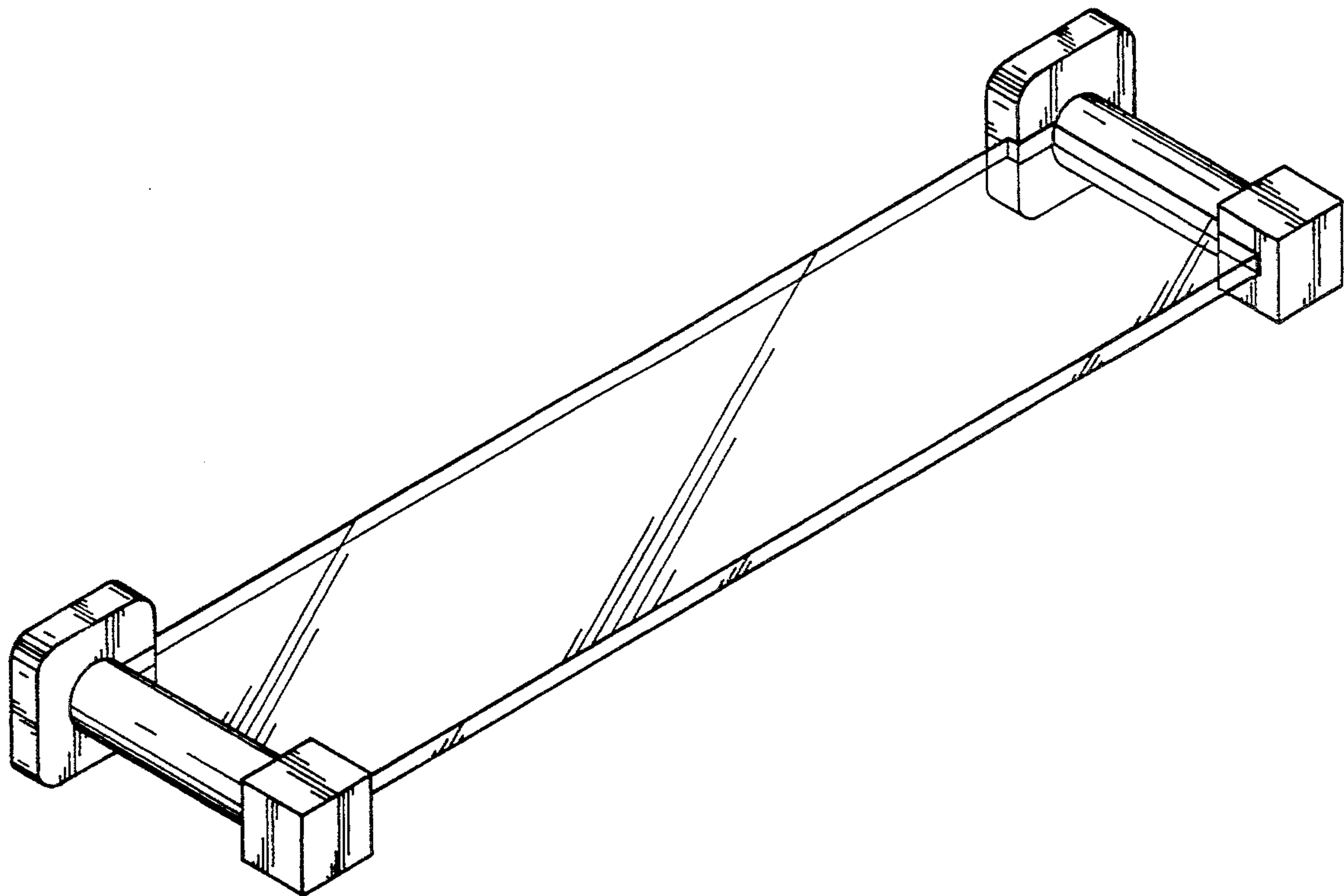


FIG. 1

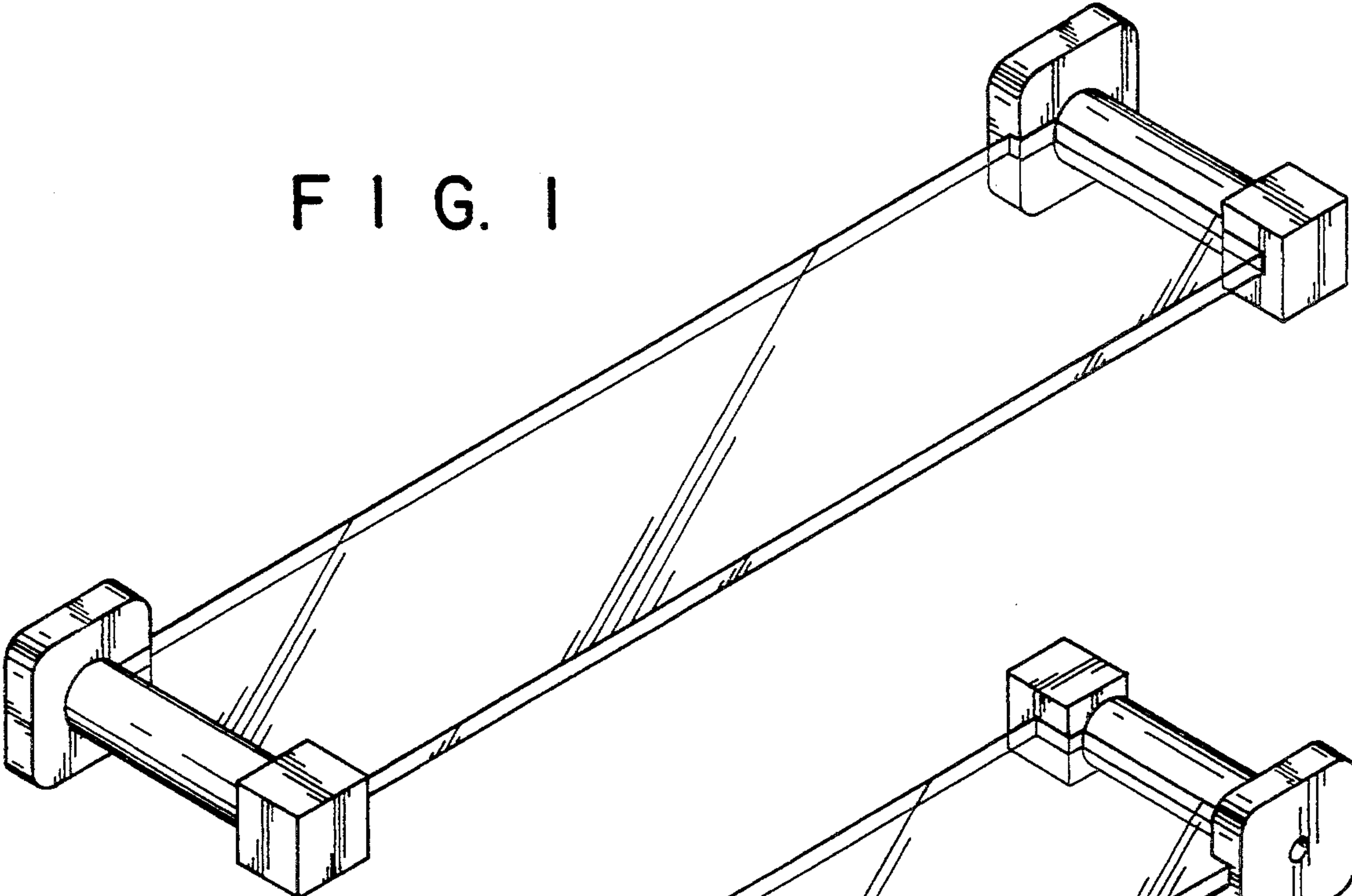


FIG. 2

