



US00D358730S

# United States Patent [19]

[11] Patent Number: **Des. 358,730**

Meeker et al.

[45] Date of Patent: **\*\* May 30, 1995**

[54] **HIGH CHAIR TRAY**

3,369,839 2/1968 Telarico ..... 297/150

[75] Inventors: **Paul K. Meeker; Nora J. Meeker,**  
both of Hiram, Ohio

*Primary Examiner*—Janice E. Seeger

[73] Assignee: **Lisco, Inc.,** Tampa, Fla.

[57] **CLAIM**

[\*\*] Term: **14 Years**

The ornamental design of the high chair tray, as shown and described.

[21] Appl. No.: **11,740**

### DESCRIPTION

[22] Filed: **Aug. 13, 1993**

FIG. 1 is a top view of the high chair tray showing the design of our invention;

[52] U.S. Cl. .... **D6/511**

FIG. 2 is a bottom view thereof;

[58] Field of Search ..... D6/406, 338, 339, 509-511;  
297/140, 150, 153; 108/135, 43, 48, 49

FIG. 3 is a front view thereof;

FIG. 4 is a rear view thereof;

FIG. 5 is a right side view thereof;

### [56] References Cited

#### U.S. PATENT DOCUMENTS

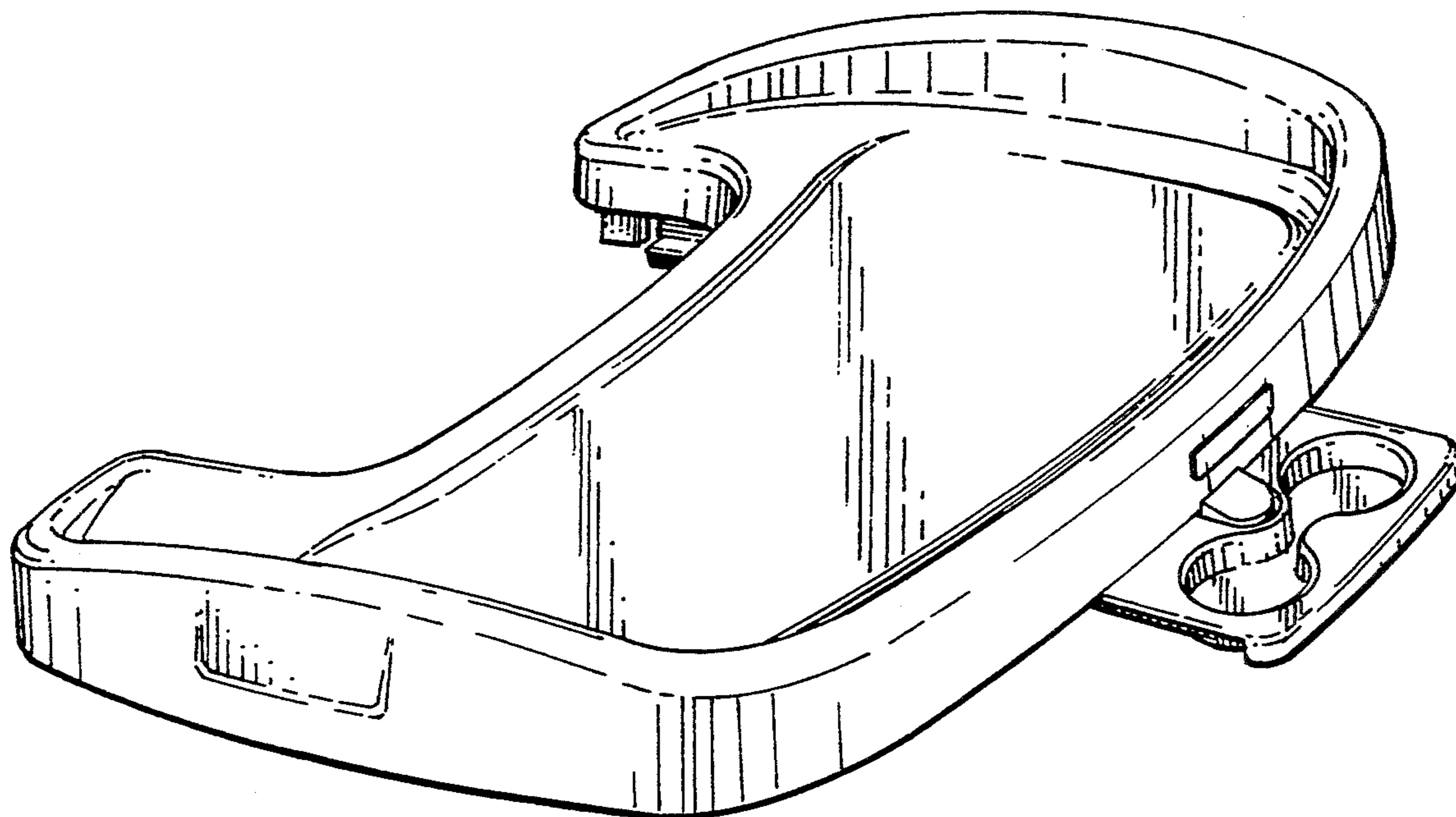
D. 99,853	6/1936	Brazell	.....	D6/511
D. 288,513	3/1987	Shelly	.....	D6/511 X
D. 331,330	12/1992	Bennett et al.	.....	D6/511 X
D. 344,189	2/1994	Golenz et al.	.....	D6/339
1,182,938	5/1916	Snideman	.....	297/153
3,146,738	9/1964	Telarico	.....	D6/406 X

FIG. 6 is a perspective view, the broken lines are for environmental purposes only and form no part of the claimed design;

FIG. 7 is a perspective view thereof; and,

FIG. 8 is a cross-sectional view taken from line 8—8 in FIG. 4.

The left side view is a mirror image of the right side view.



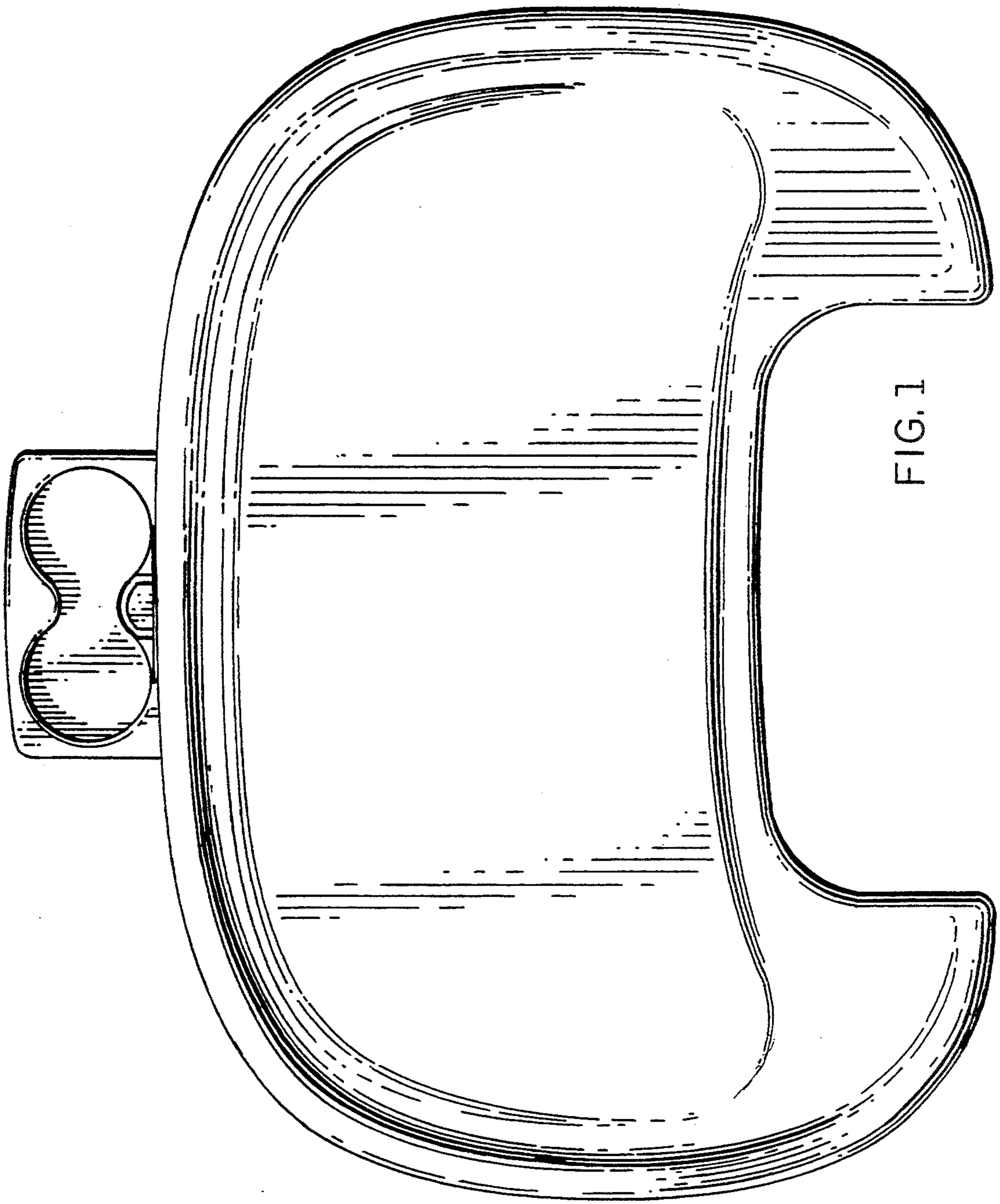


FIG. 1

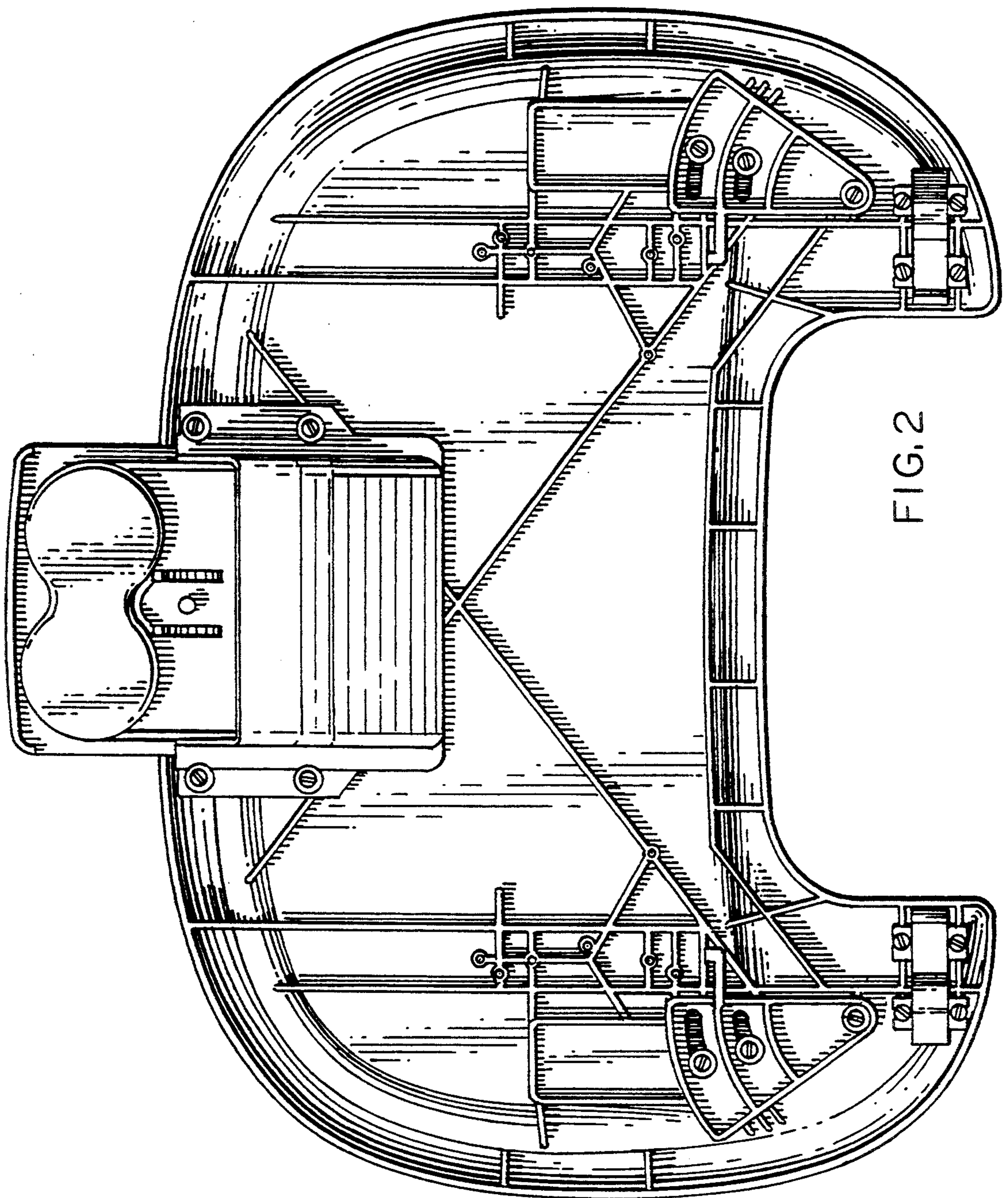


FIG. 2

