



US00D358727S

United States Patent [19]

[11] Patent Number: **Des. 358,727**

Dickinson et al.

[45] Date of Patent: **** May 30, 1995**

[54] **SUPPORT FRAME WITH SLIDING BASKETS**

[75] Inventors: **Thomas Dickinson; Bradley D. Gale,**
both of St. Louis, Mo.

[73] Assignee: **Contico International, Inc.,** St. Louis,
Mo.

[**] Term: **14 Years**

[21] Appl. No.: **14,144**

[22] Filed: **Oct. 13, 1993**

[52] U.S. Cl. **D6/470**

[58] Field of Search **D6/449, 450, 474, 475,**
D6/476, 432; 206/503, 424; 211/133, 126, 71;
D3/304

4,403,701	9/1983	Corcoran	211/133
4,795,041	1/1989	Remmers	211/133
4,988,003	1/1991	Spitzer et al.	211/71 X
5,022,527	6/1991	Braeutigam	206/424 X
5,190,156	3/1993	Conaway et al.	.	
5,294,009	3/1994	Maurer et al.	211/126

Primary Examiner—Alan P. Douglas

Assistant Examiner—S. Snapp

Attorney, Agent, or Firm—Rogers, Howell & Haferkamp

[57] CLAIM

The ornamental design for a support frame with sliding baskets, as shown and described.

DESCRIPTION

FIG. 1 is an orthographic view of a support frame with sliding baskets showing my new design;
 FIG. 2 is a top plan view with the top sliding basket slid completely into the support frame thereof;
 FIG. 3 is a bottom plan view thereof;
 FIG. 4 is a front elevation view thereof;
 FIG. 5 is a left side elevation view thereof, the right side elevation view being identical; and,
 FIG. 6 is a rear elevation view thereof.

[56] References Cited

U.S. PATENT DOCUMENTS

D. 308,608	6/1990	Arnold	211/126 X
D. 329,556	9/1992	Brüssing	D6/449 X
D. 330,813	11/1992	Spitzer et al.	D6/432
2,916,161	12/1959	Schaefer	D6/476 X
3,053,397	9/1962	Bliss	D6/476 X

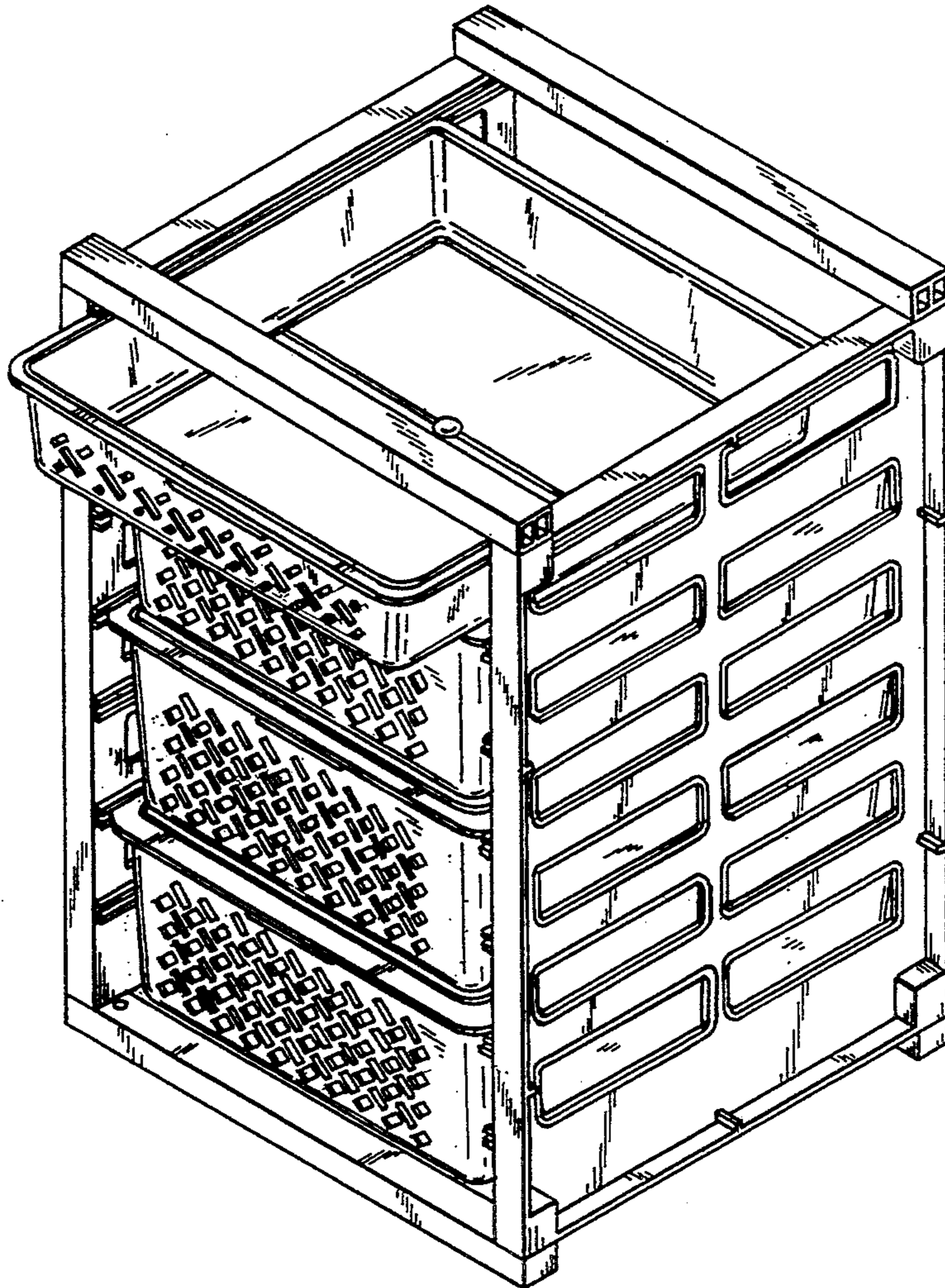


FIG. 1.

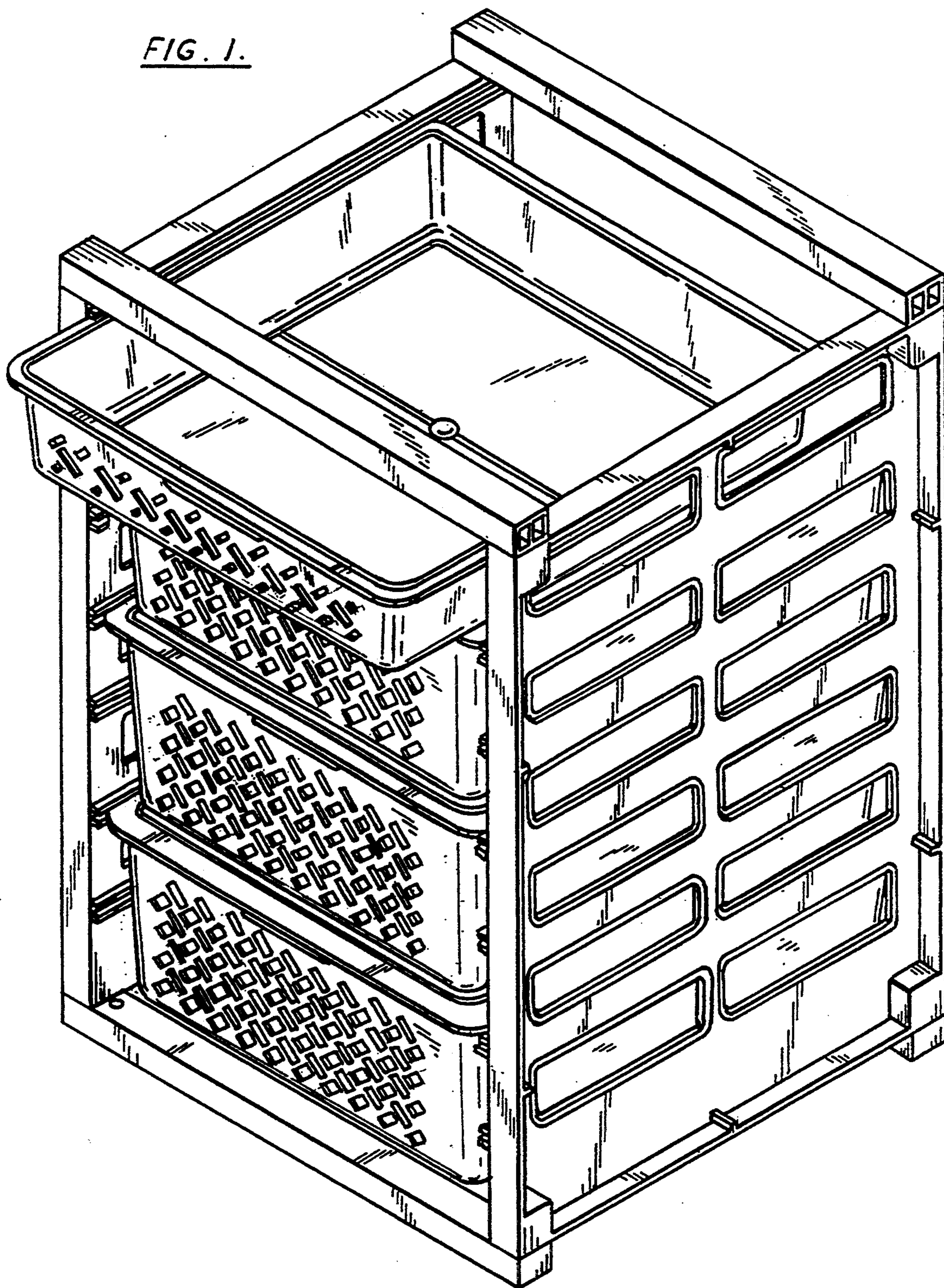


FIG. 2.

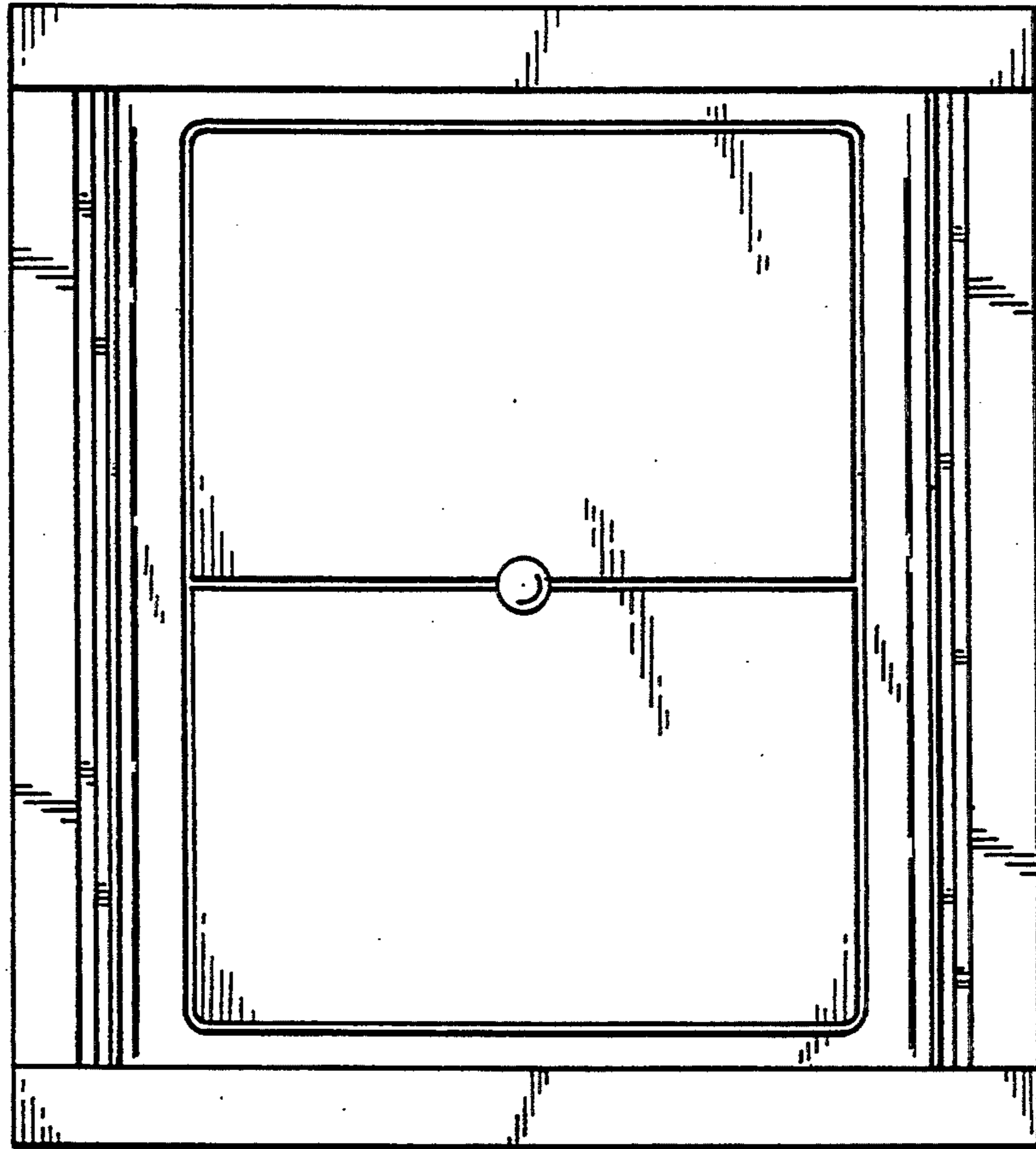


FIG. 3.

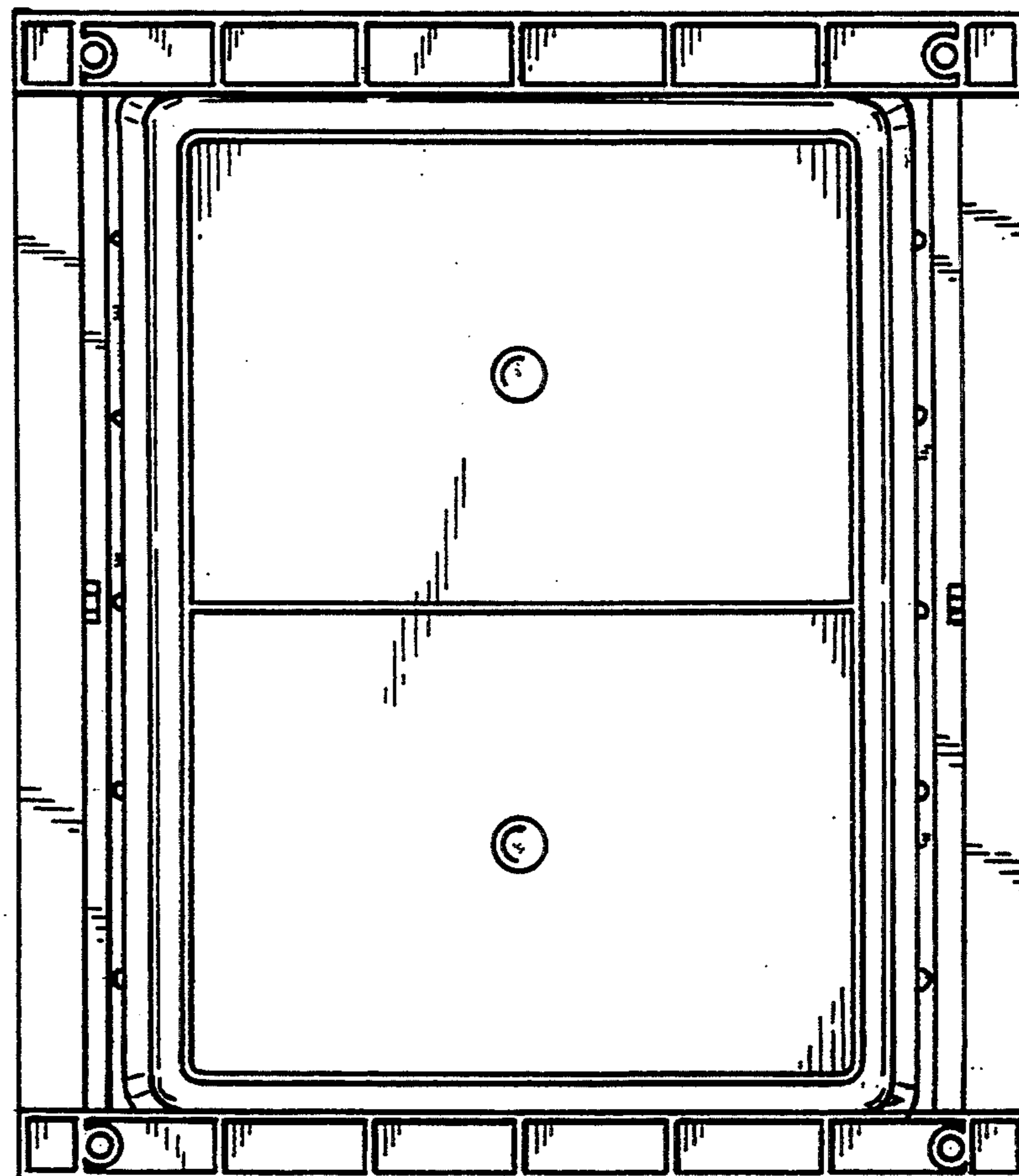


FIG. 4.

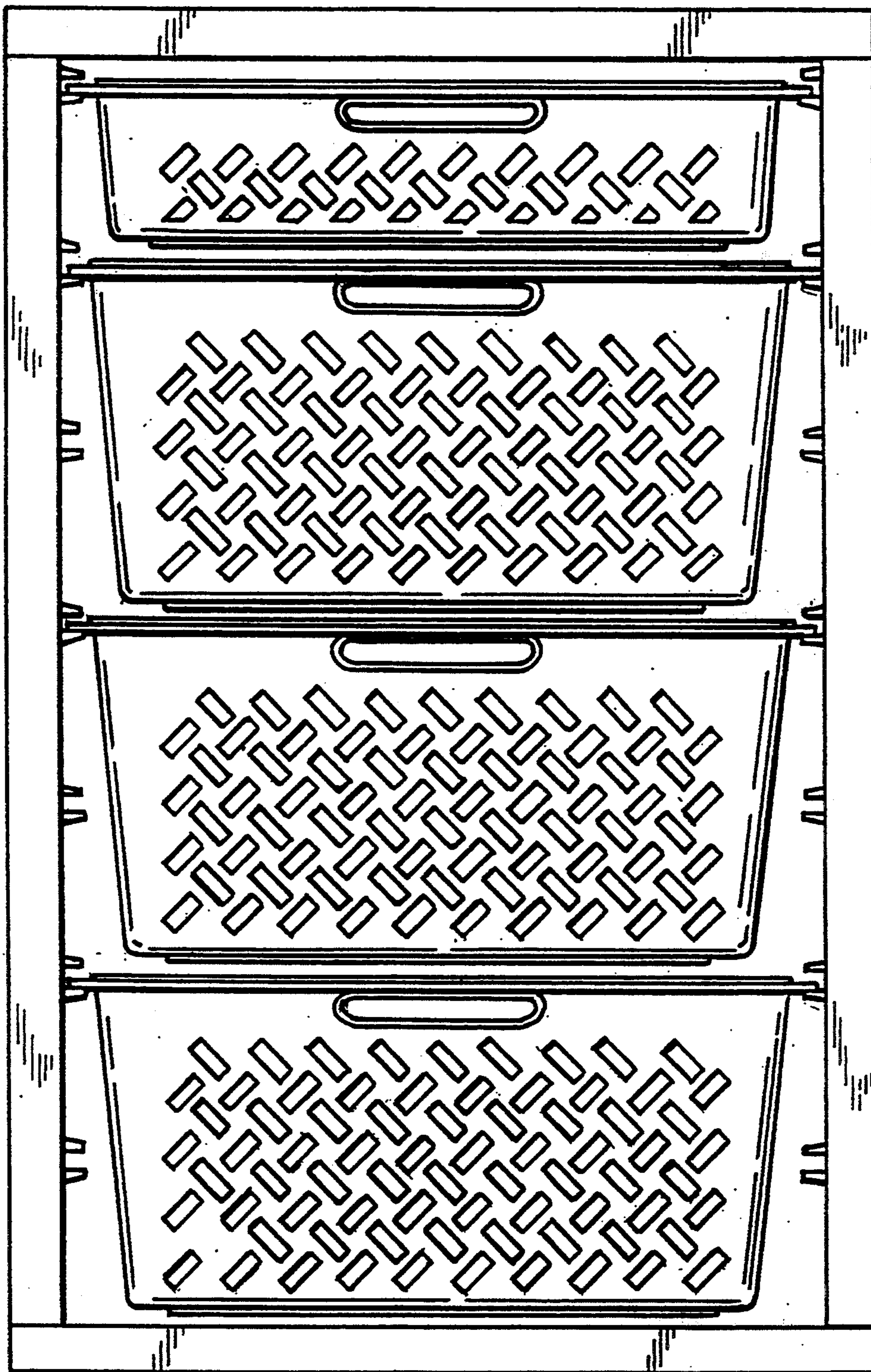


FIG. 5.

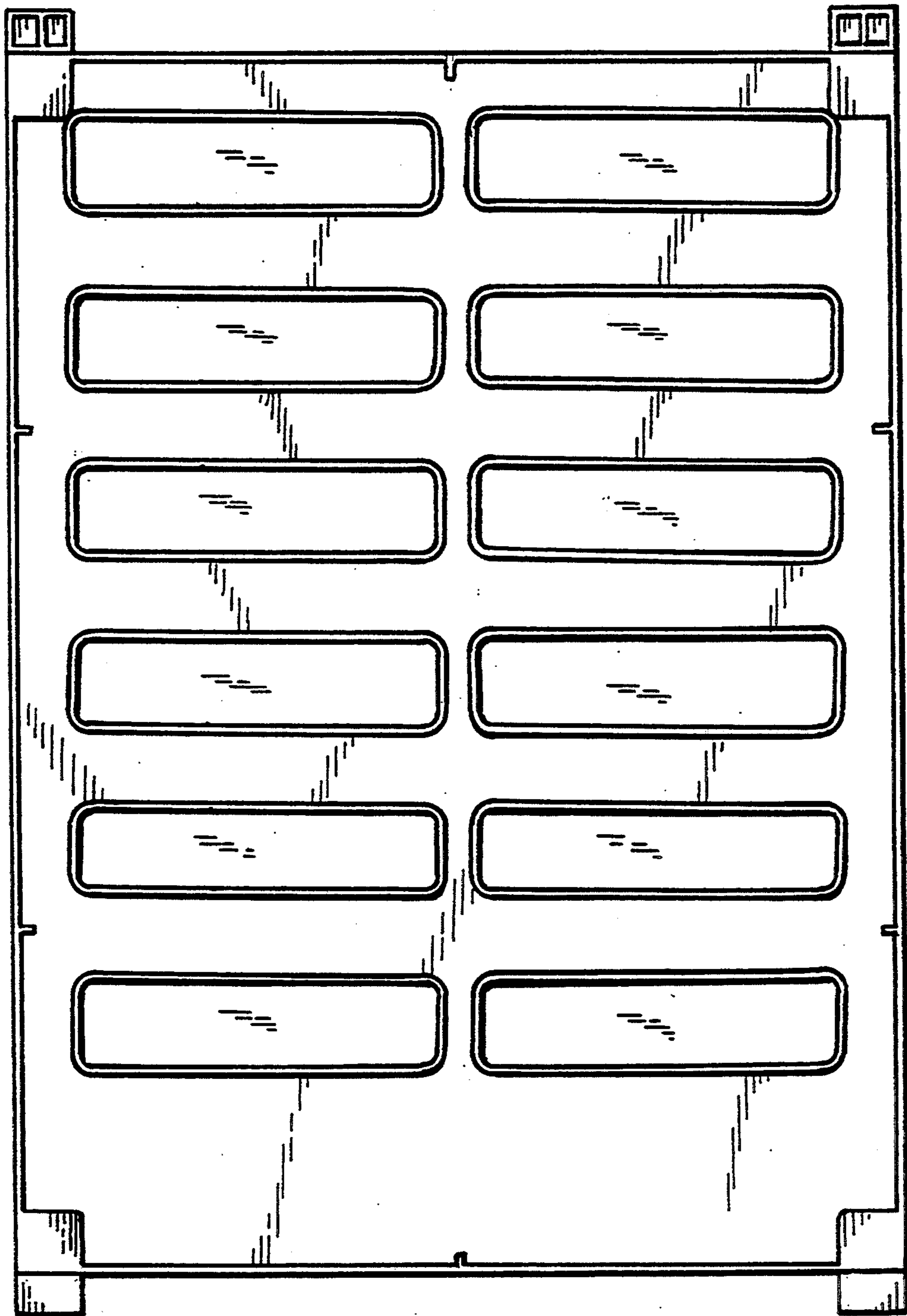


FIG. 6.

