



US00D358721S

United States Patent [19]

[11] Patent Number: **Des. 358,721**

Hess

[45] Date of Patent: **** May 30, 1995**

- [54] CHAIR
- [75] Inventor: **Stephen C. Hess**, Birmingham, Ala.
- [73] Assignee: **Winston Furniture Company of Alabama, Inc.**, Birmingham, Ala.
- [**] Term: **14 Years**
- [21] Appl. No.: **23,837**
- [22] Filed: **Jun. 1, 1994**
- [52] U.S. Cl. **D6/373; D6/379**
- [58] Field of Search **D6/334, 370, 371, 373, D6/374, 375, 376, 379, 500, 501, 502; 297/411.42, 445**

2,264,143 11/1941 Scott et al. .
 4,852,944 8/1989 Hartmann 297/445

OTHER PUBLICATIONS

Tropitone, ©1989, p. 26, Chair #5824 at bottom right.
 Winston Furniture Company Catalog 1991-1992 Season, pp. 77 & 78, Model Nos. 3402, 1402, 1401, 8102p, 8102, 8310, 8002, and 9802.
 Winston Furniture Company Catalog 1990-1991, p. 19, Model No. 3417.

Primary Examiner—Alan P. Douglas
Assistant Examiner—Gary D. Watson
Attorney, Agent, or Firm—Hardaway Law Firm

[56] **References Cited**
U.S. PATENT DOCUMENTS

D. 106,384	10/1937	Vavrik	D6/373
D. 277,908	3/1985	Lüsberg	D6/373
D. 286,472	11/1986	Arthur, Jr.	D6/379
D. 287,437	12/1986	Frinier et al.	D6/373
D. 291,391	8/1987	Arthur, Jr.	D6/370
D. 298,787	12/1988	Greene	D6/373
D. 306,530	3/1990	Vanderminden	D6/347
D. 318,764	8/1991	Hess	D6/379
D. 320,895	10/1991	Frinier	D6/373
D. 321,603	11/1991	Hess	D6/379
D. 326,373	5/1992	Hess	D6/379
D. 329,156	9/1992	Hess	D6/500
D. 337,447	7/1993	Fahnstrom et al.	D6/373
D. 352,618	11/1994	Hess	D6/373

[57] **CLAIM**
 The ornamental design for a chair, as shown and described.

DESCRIPTION

FIG. 1 is a perspective view of a chair showing my new design;
 FIG. 2 is a left side elevation view, the right side being a mirror image thereof;
 FIG. 3 is a front elevational view;
 FIG. 4 is a bottom plan view;
 FIG. 5 is a top plan view; and,
 FIG. 6 is a rear elevational view thereof.
 The broken line showing of support stretchers in FIGS. 2, 3, 4 and 6 are for illustrative purposes only and form no part of the claimed design.



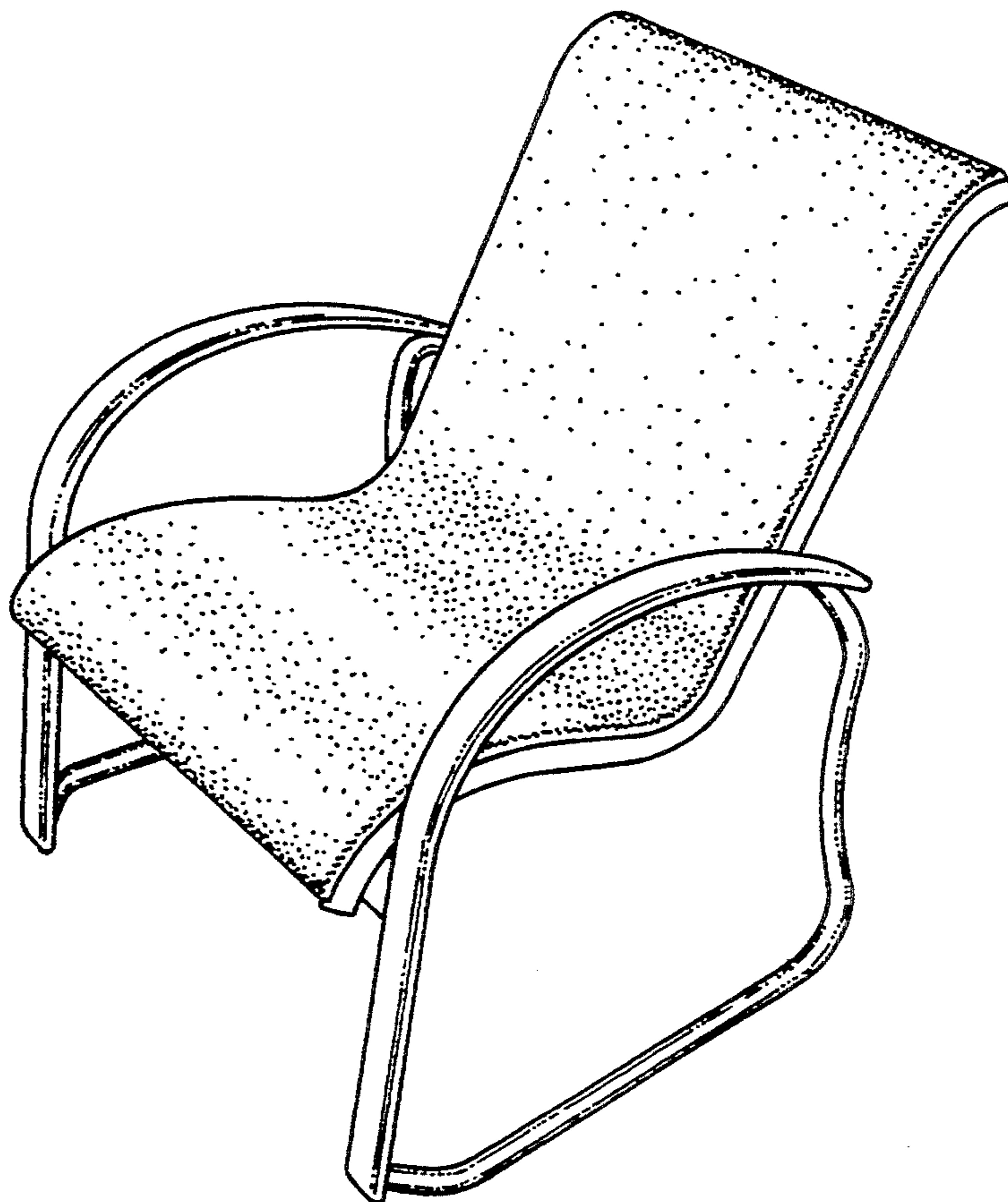


Fig. 1

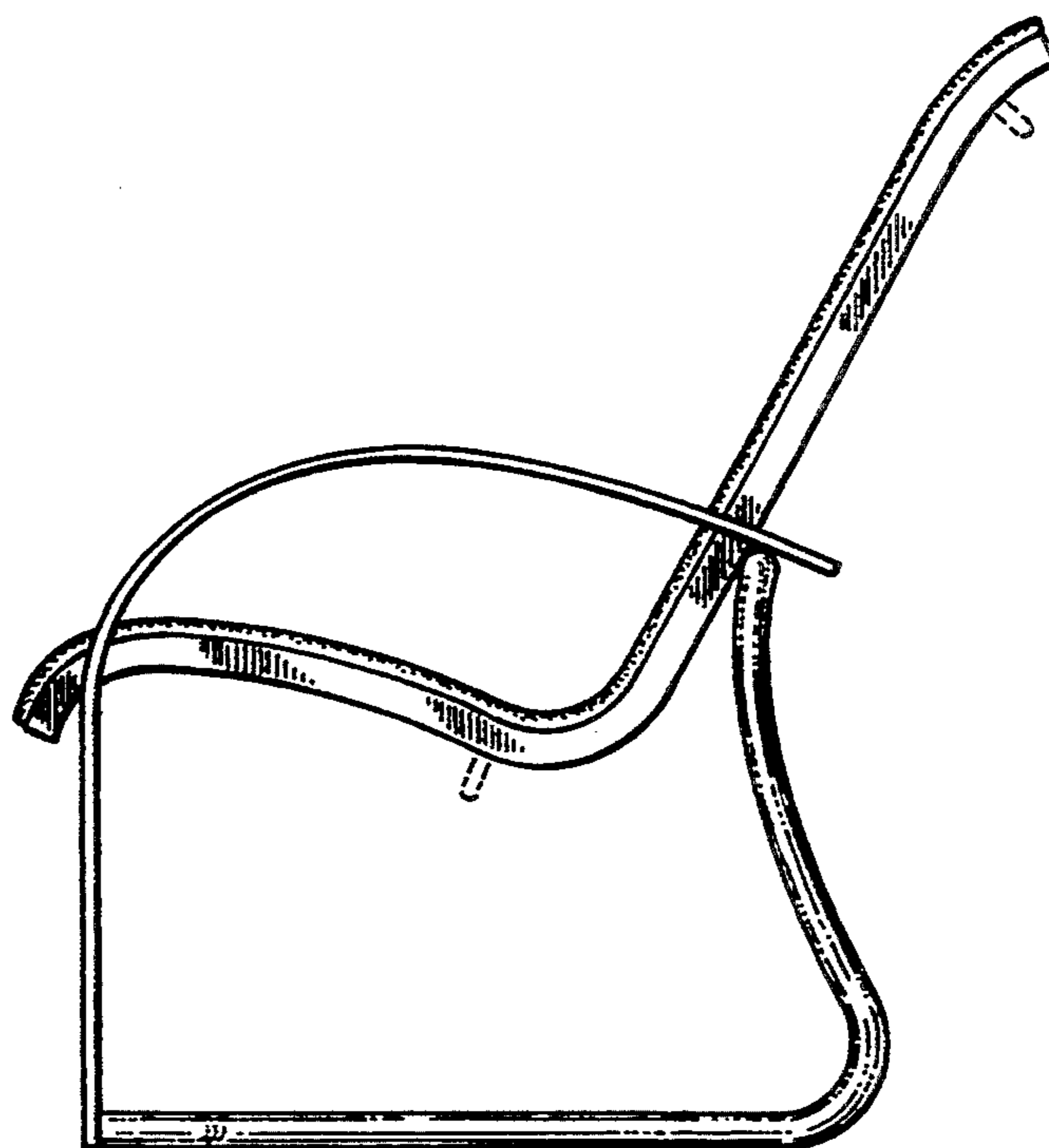


Fig. 2

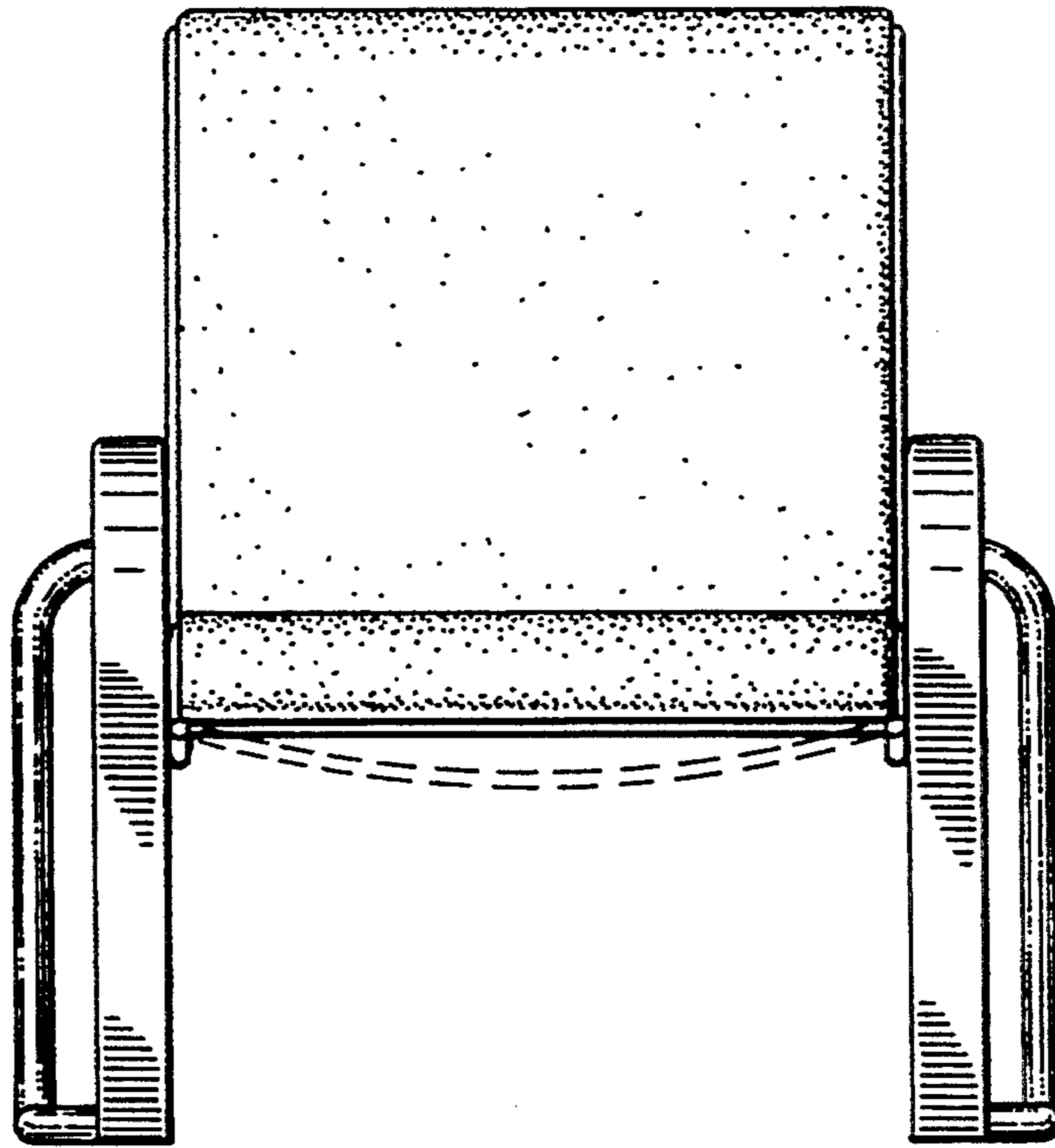


Fig. 3

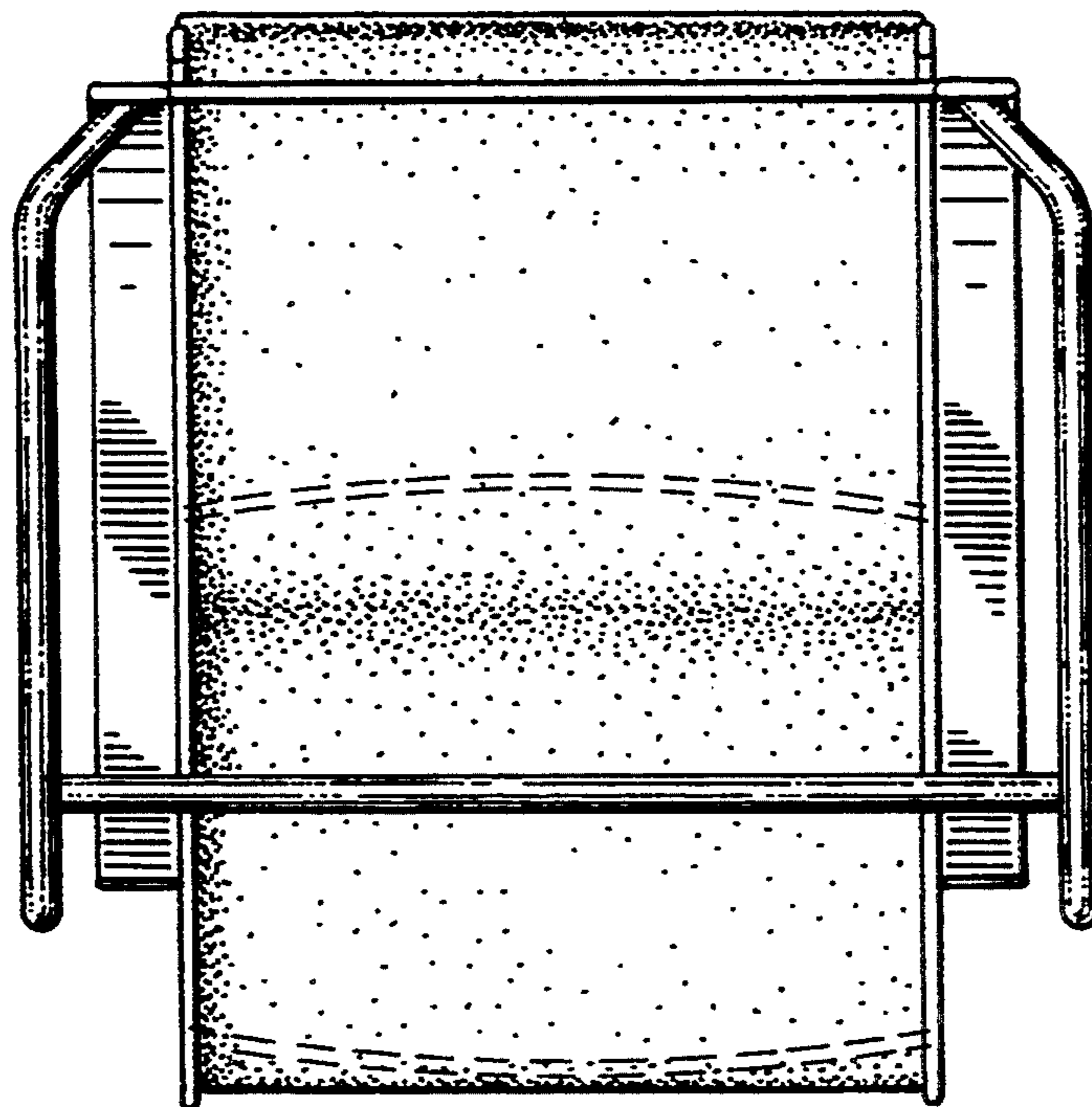


Fig. 4

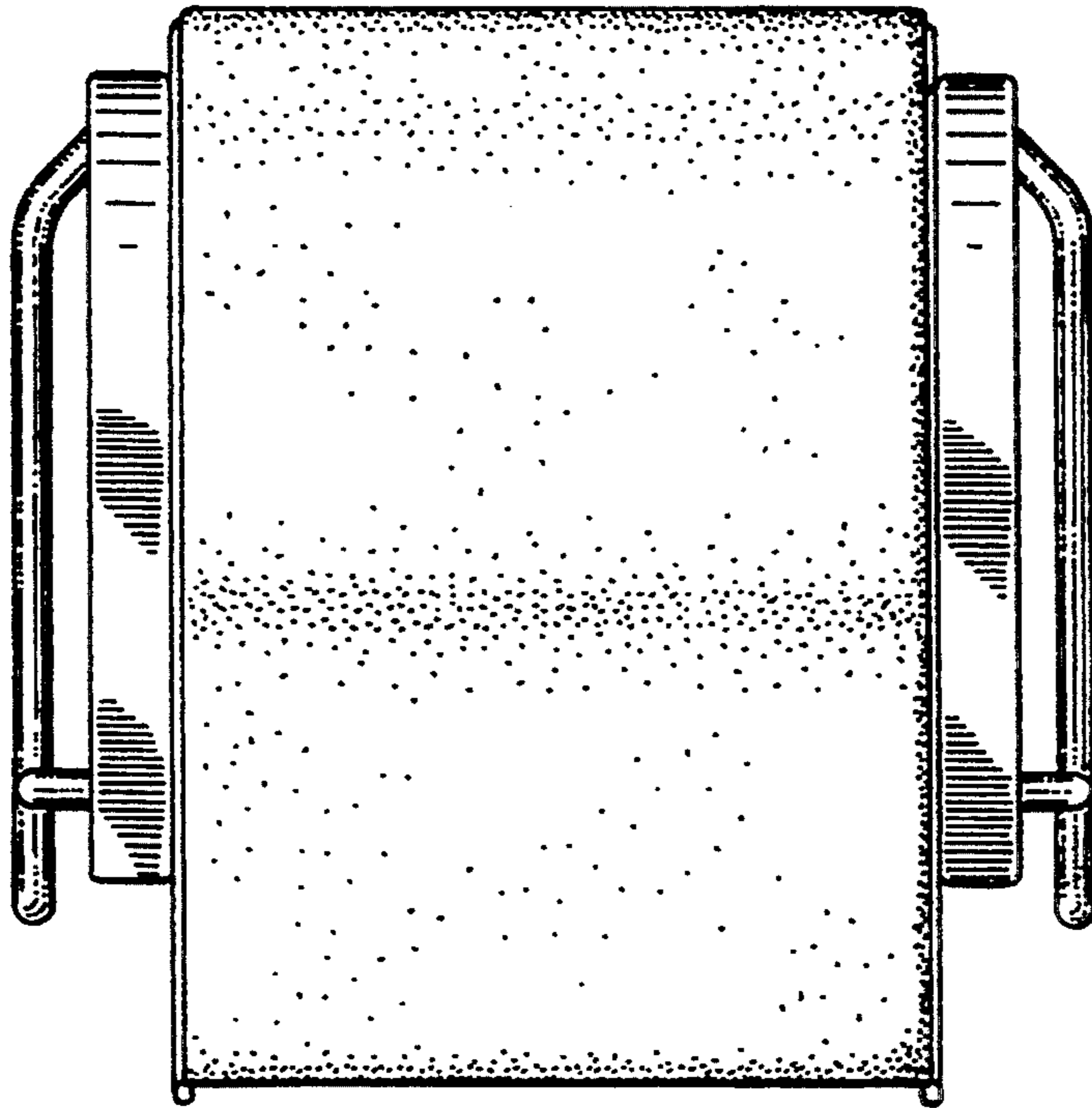


Fig. 5

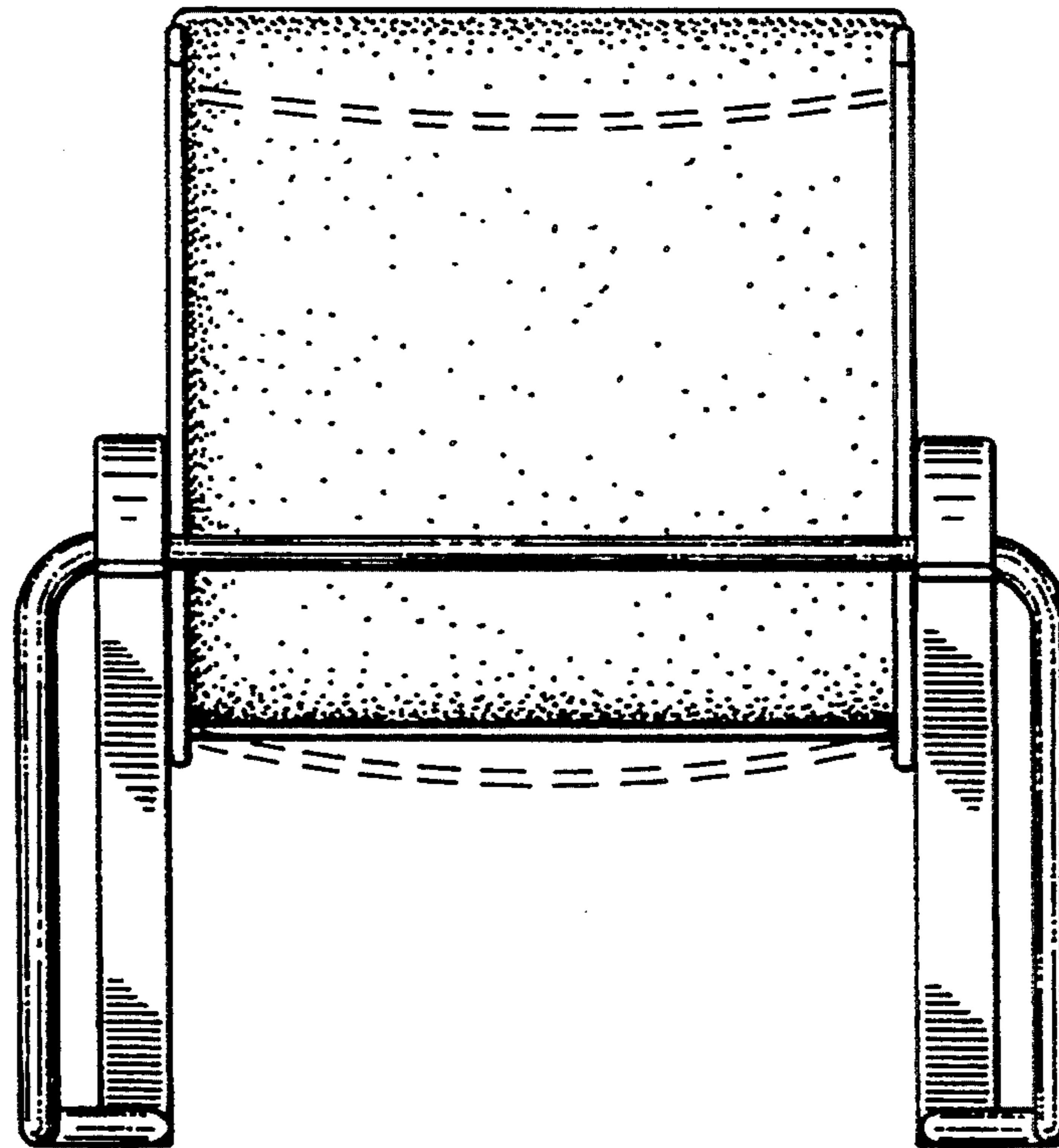


Fig. 6