



US00D358717S

United States Patent [19]

[11] Patent Number: **Des. 358,717**

Foreman

[45] Date of Patent: **** May 30, 1995**

[54] BABY CHANGING PLATFORM FOR CRIBS

[75] Inventor: **John F. Foreman**, Penetanguishene, Canada

[73] Assignee: **Burlington Basket Company**, Burlington, Iowa

[**] Term: **14 Years**

[21] Appl. No.: **14,222**

[22] Filed: **Oct. 15, 1993**

[52] U.S. Cl. **D6/333; D6/503**

[58] Field of Search **D6/333, 390, 391, 503, D6/382, 383, 386; 5/93.1, 655, 658; 297/467, 487, 488**

[56] References Cited

U.S. PATENT DOCUMENTS

2,766,087	6/1953	Marcus	311/26
2,842,781	11/1953	Hoffman	5/93
3,078,478	4/1959	Sheahan	5/93
3,400,829	9/1966	Youngson	211/86
3,644,947	2/1972	Padera	5/92
3,721,434	3/1973	Spies	5/655
3,779,540	12/1973	Bourdreau	5/655
4,216,951	8/1980	Griffin	5/655
4,404,698	9/1983	Koncelik et al.	5/507
4,935,973	6/1990	Behrman	5/655 X

OTHER PUBLICATIONS

Evans—©1988, p. 347, #8 at bottom.

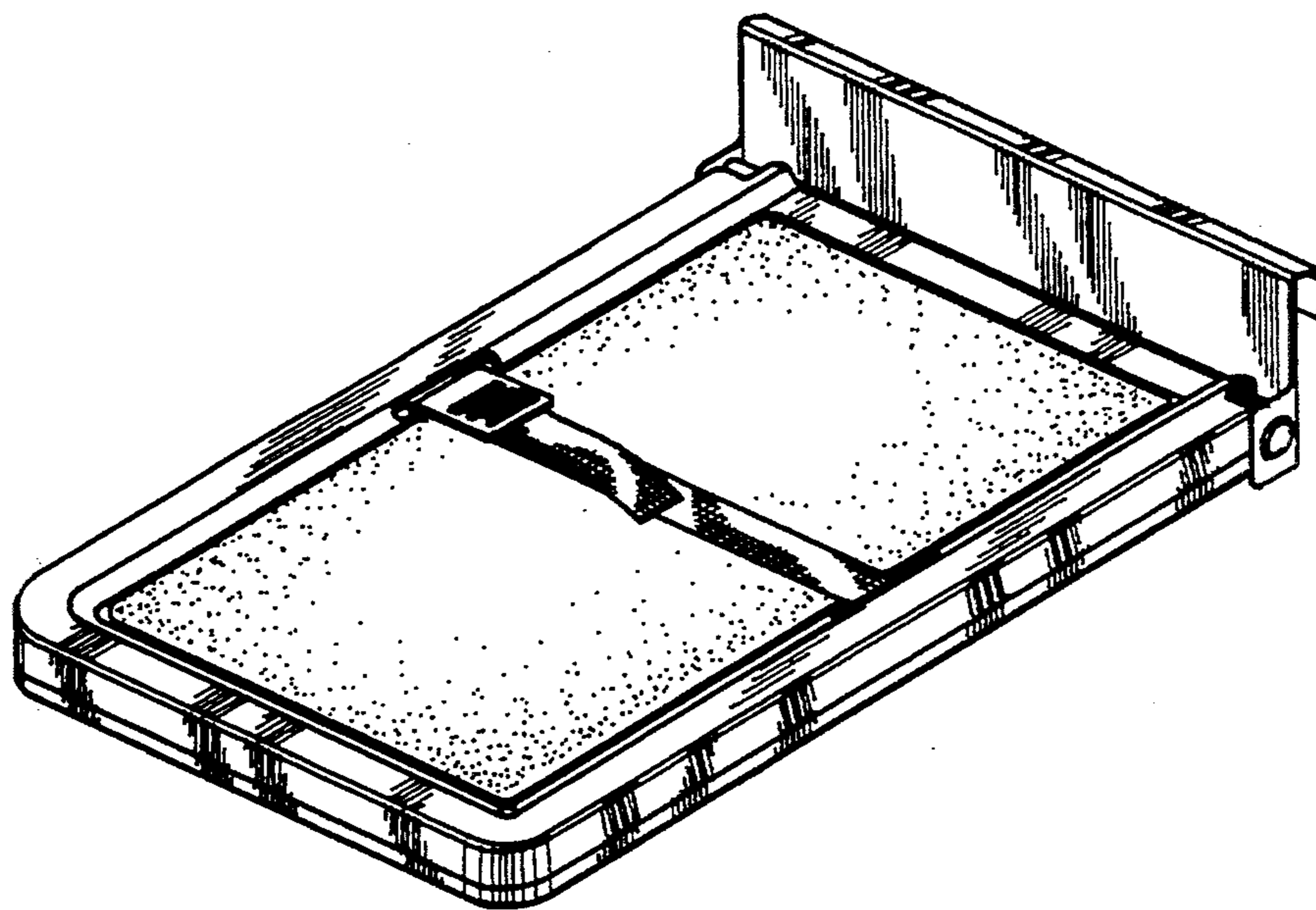
Primary Examiner—Janice E. Seeger
Attorney, Agent, or Firm—Zarley, McKee, Thomte, Voorhees & Sease

[57] CLAIM

The ornamental design for a baby changing platform for cribs, as shown and described.

DESCRIPTION

FIG. 1 is a perspective view of a baby changing platform for cribs showing my new design;
 FIG. 2 is a top plan view thereof;
 FIG. 3 is a bottom plan view thereof;
 FIG. 4 is an end elevation view from the right end thereof;
 FIG. 5 is an end elevational view from the left end thereof;
 FIG. 6 is a side elevational view from the right side with the opposite side being a mirror image thereof;
 FIG. 7 is a perspective view of an alternate embodiment thereof;
 FIG. 8 is a top plan view thereof;
 FIG. 9 is a bottom plan view thereof;
 FIG. 10 is an end elevational view taken from the right end in FIG. 7 thereof;
 FIG. 11 is an end elevational view taken from the left end in FIG. 7 thereof; and,
 FIG. 12 is a side elevational view taken from the right side in FIG. 7 thereof.



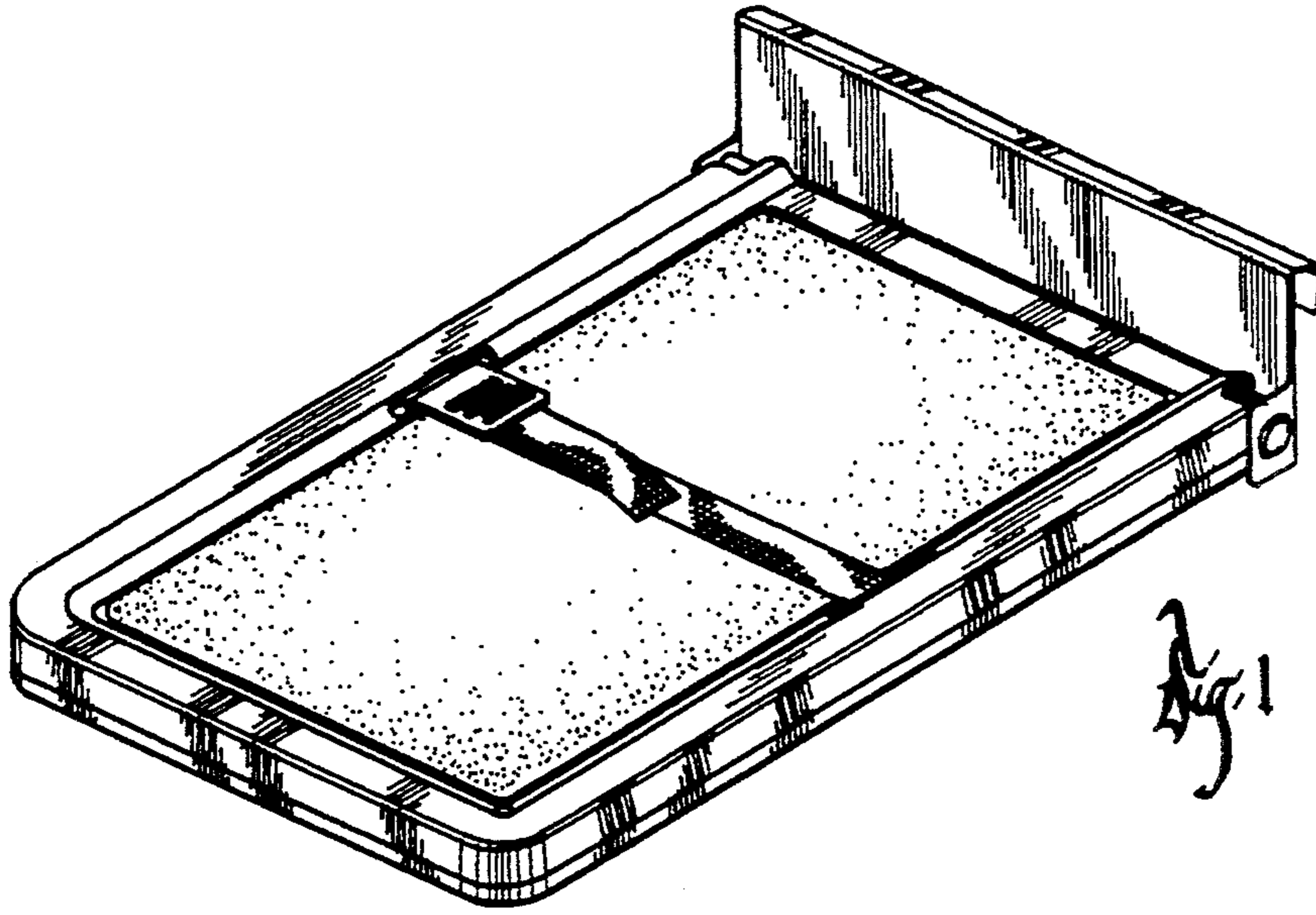


Fig. 1

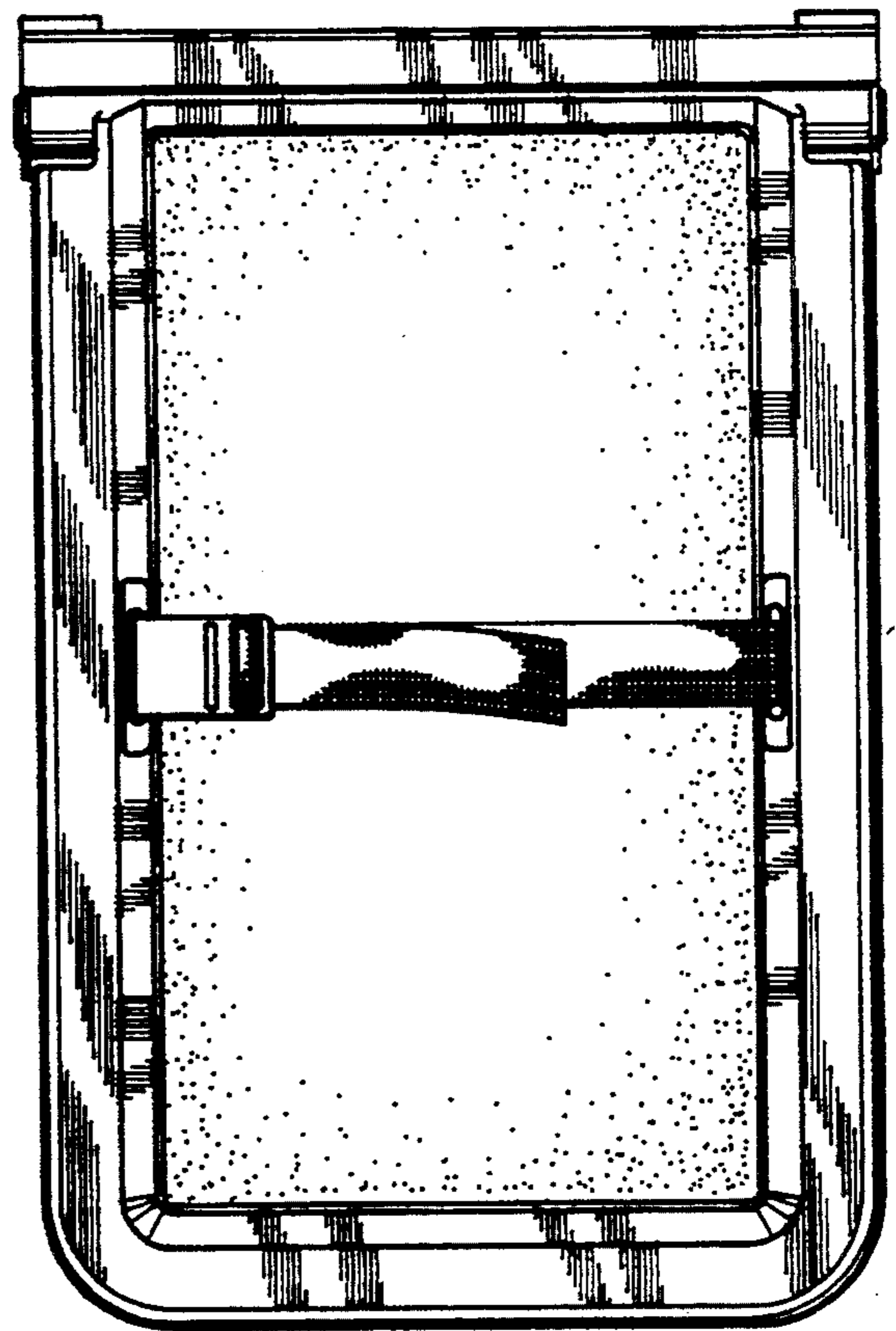


Fig. 2

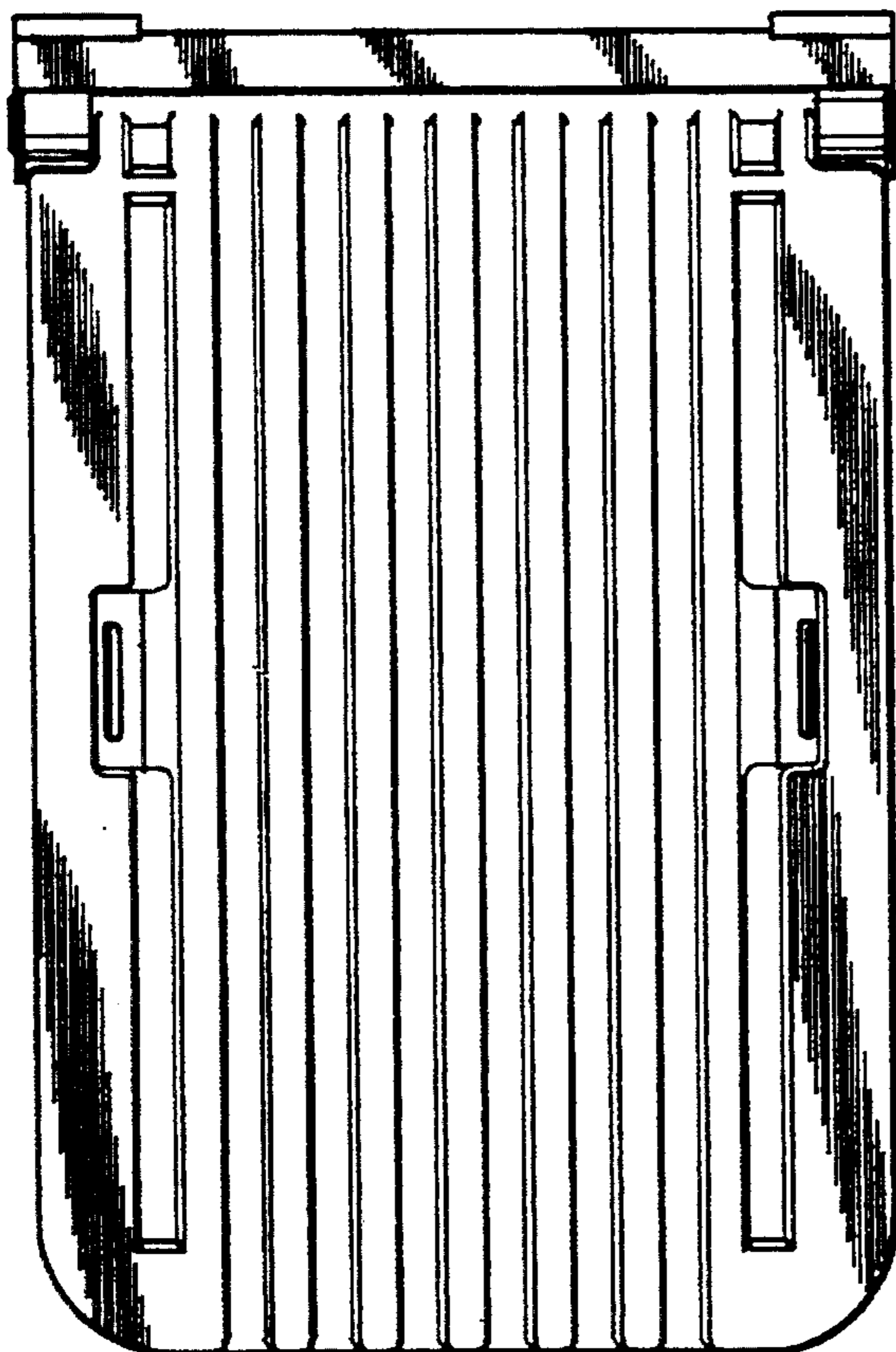


Fig. 3

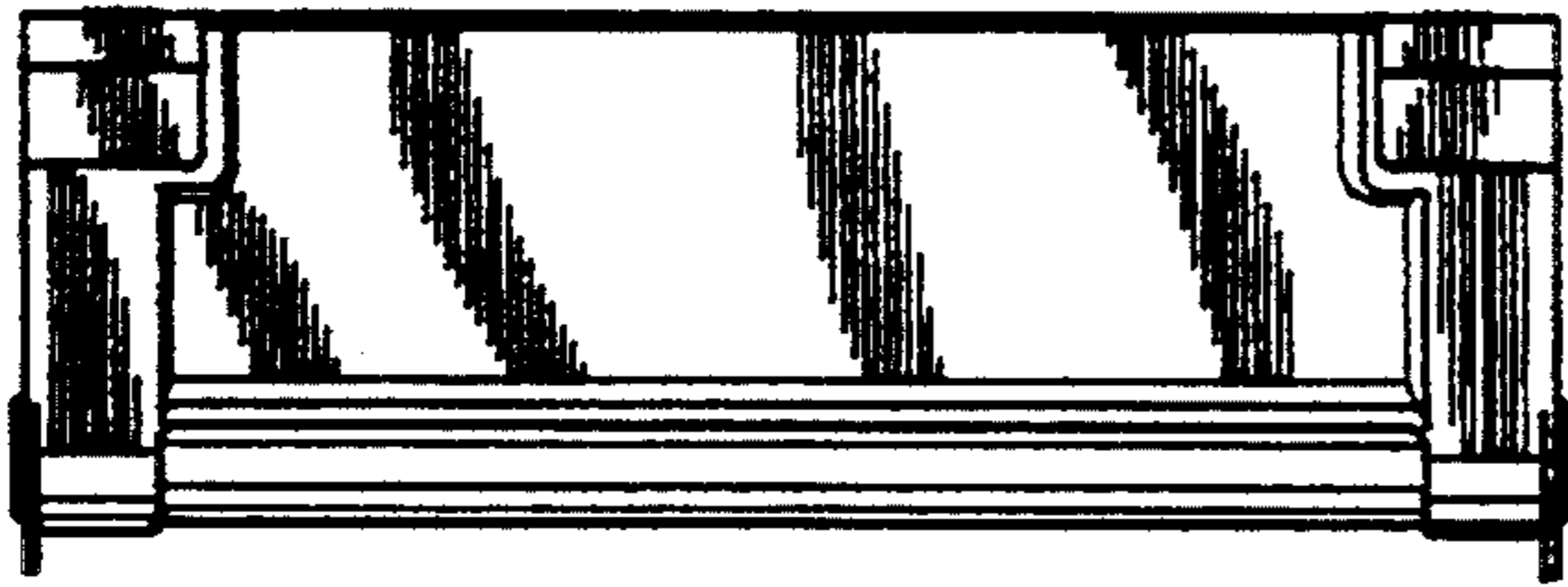


Fig. 4

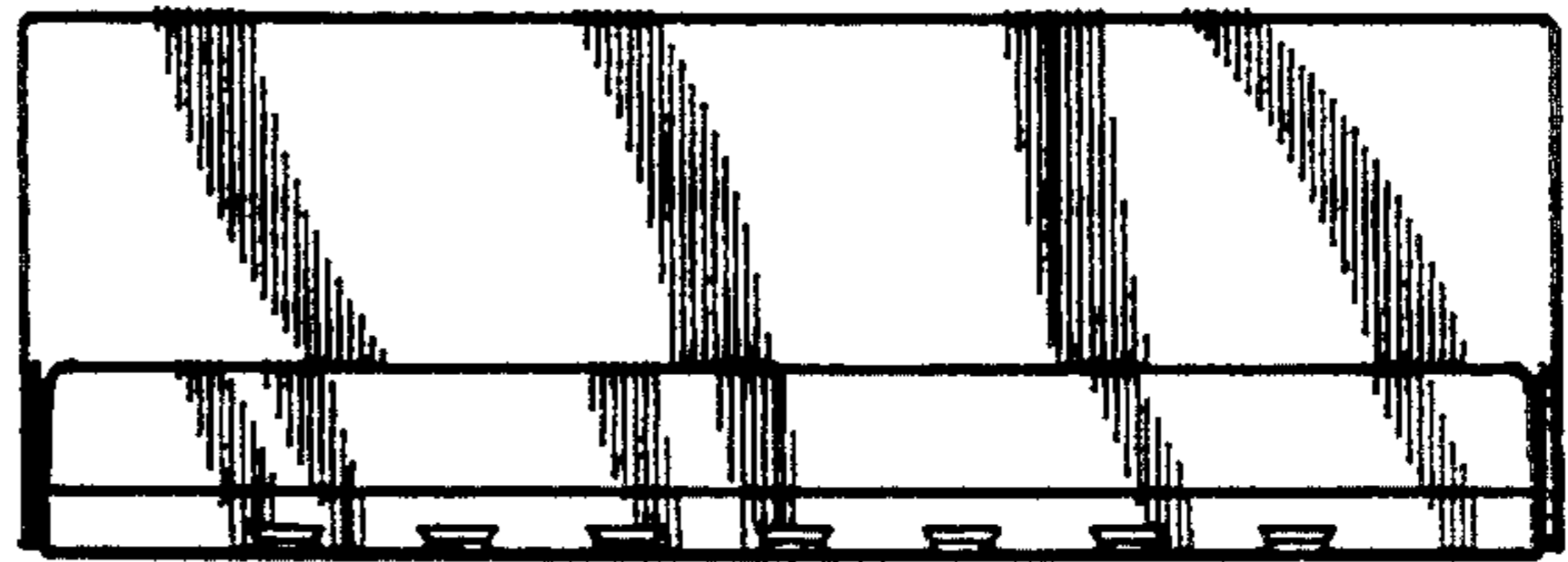


Fig. 5

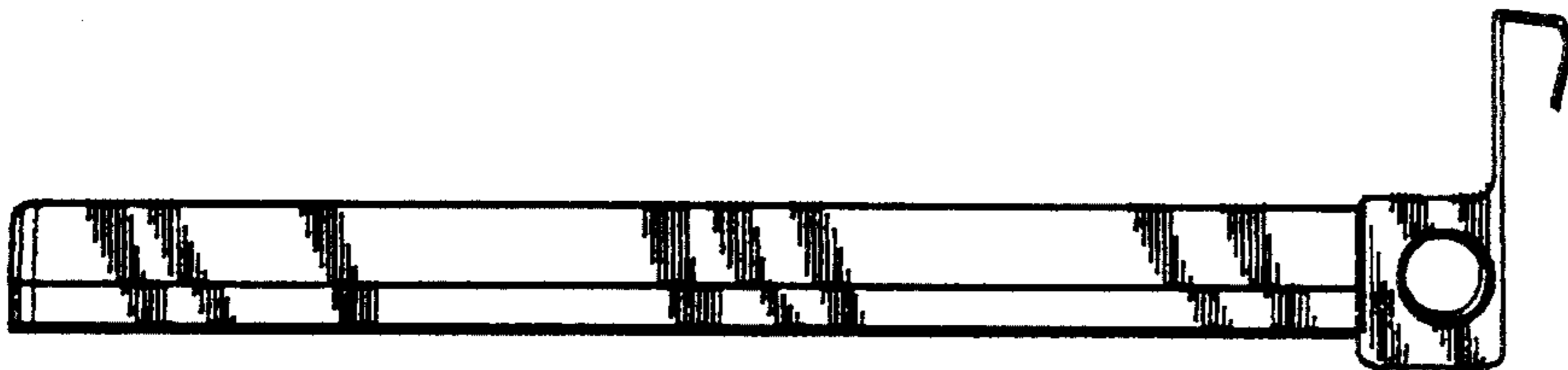


Fig. 6

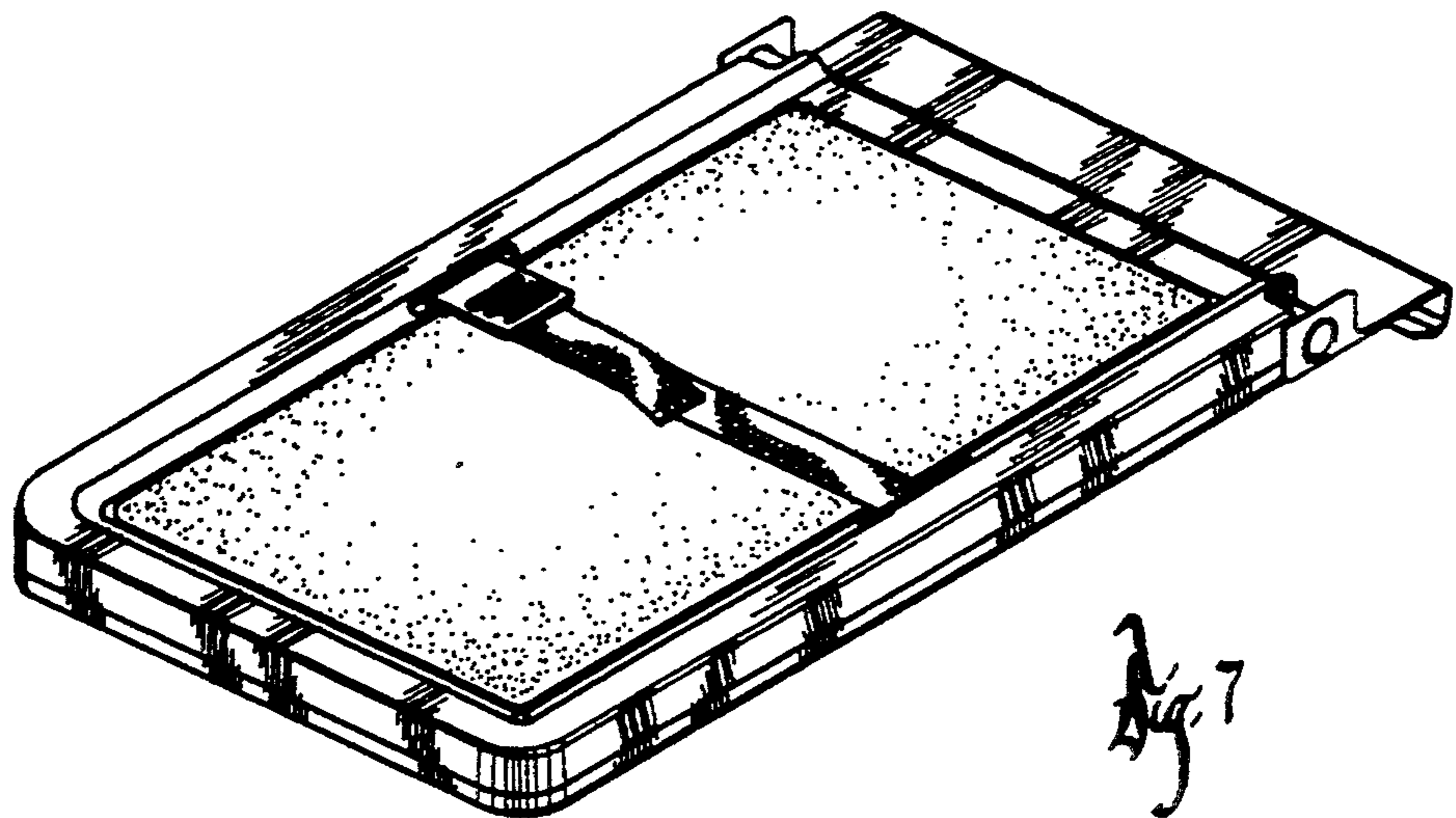


Fig. 7

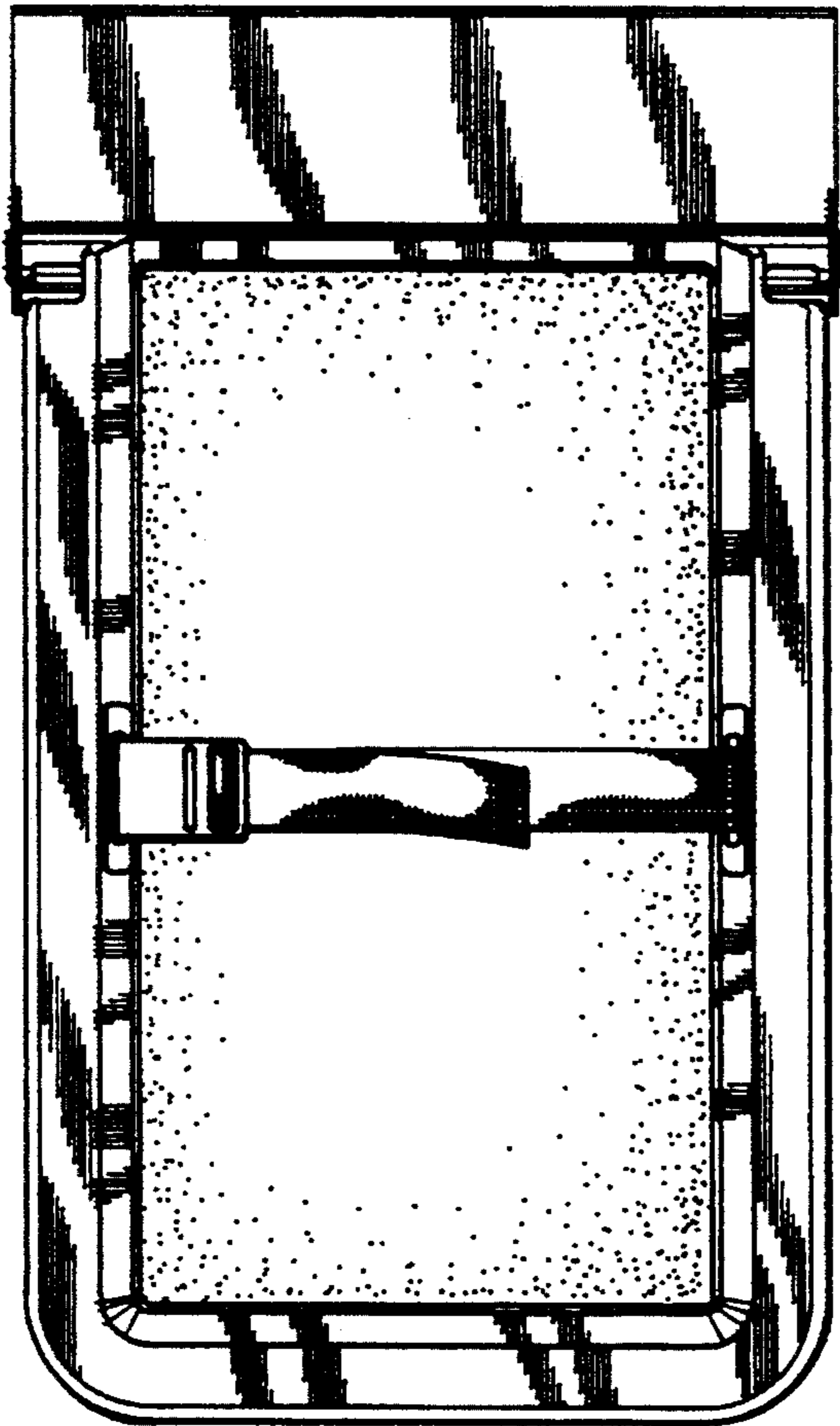


Fig. 8

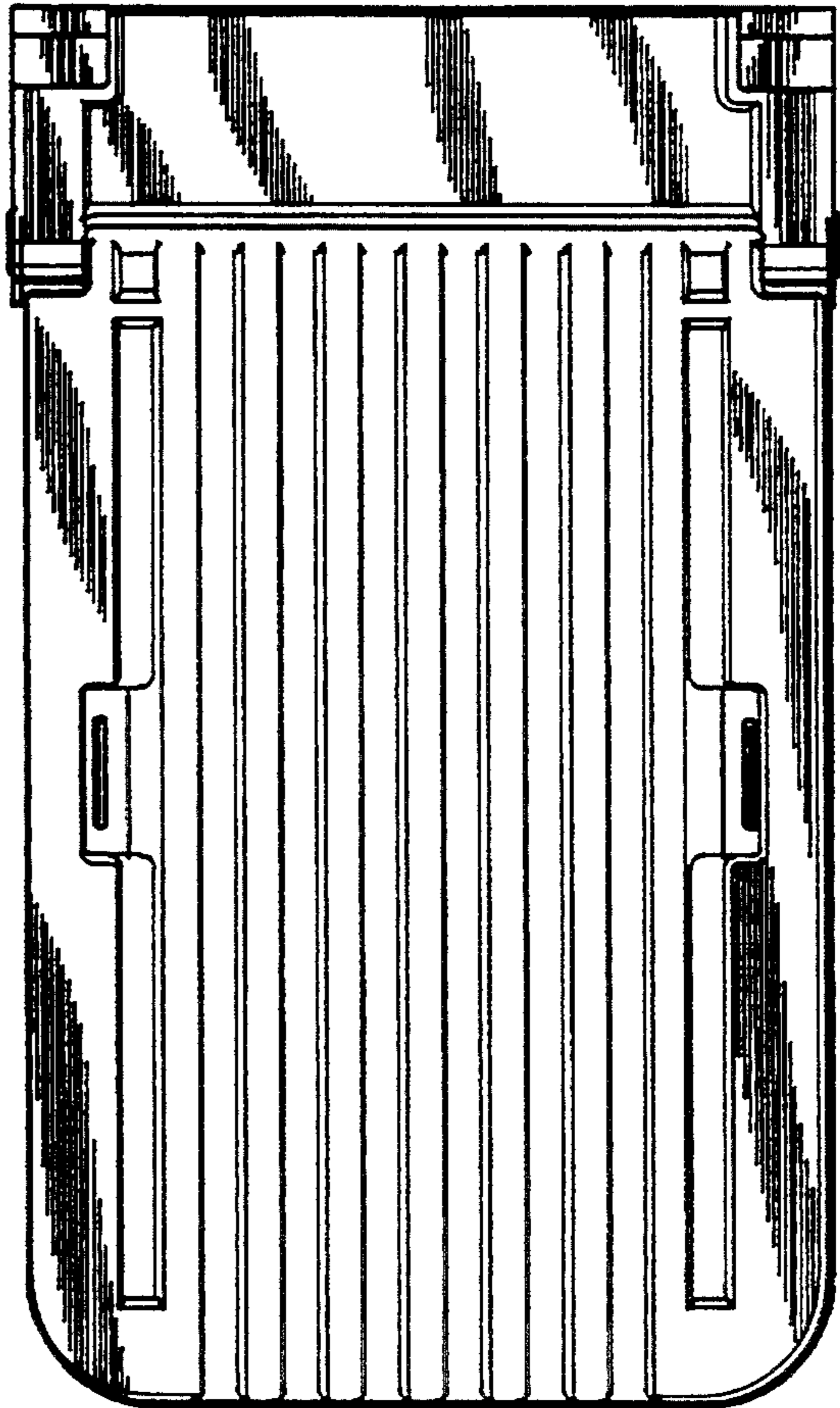


Fig. 9

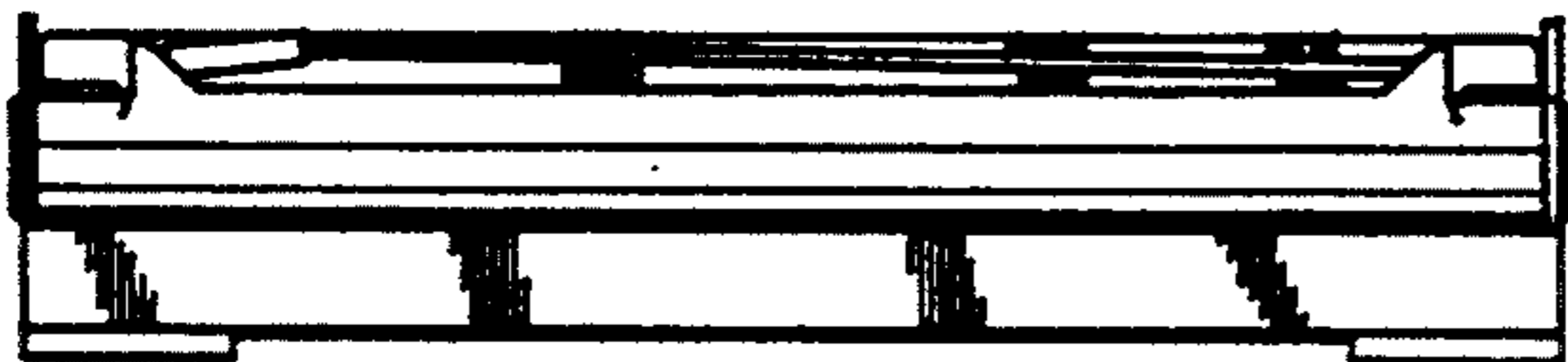


Fig. 10

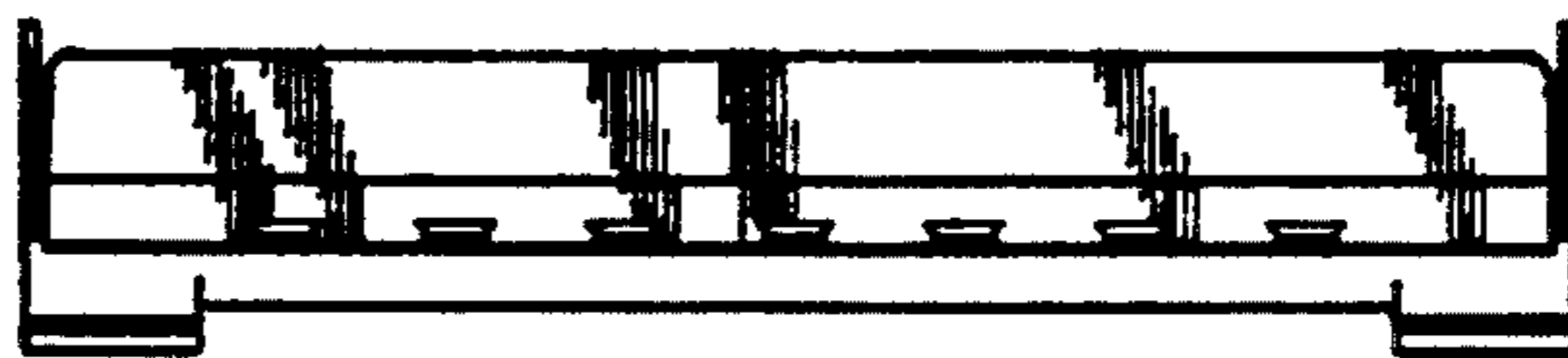


Fig. 11



Fig. 12