



US00D358714S

United States Patent [19]

Shaner

[11] Patent Number: **Des. 358,714**

[45] Date of Patent: **** May 30, 1995**

[54] **COMBINED BROOM AND IMPLEMENT FOR REMOVING DUST**

[76] Inventor: **Thomas M. Shaner, 609 Wood St., Piqua, Ohio 45356**

[**] Term: **14 Years**

[21] Appl. No.: **587,429**

[22] Filed: **Sep. 25, 1990**

[52] U.S. Cl. **D4/116; D4/121; D4/132**

[58] Field of Search **D4/116, 118, 121, 130, D4/132, 135, 138, 199; D32/40, 50, 51, 74; 15/105, 111, 145, 143 R, 159.1, 160, 168-171, 191.1, 192-193, 257.1**

[56] **References Cited**

U.S. PATENT DOCUMENTS

| | | | |
|------------|--------|----------------------|----------|
| 1,992 | 2/1841 | Lewis | 15/145 |
| 38,051 | 3/1863 | Loughridge | 15/191.1 |
| 42,131 | 3/1864 | Twyford | 15/191.1 |
| D. 182,601 | 4/1958 | Lefebvre et al. | D4/135 |

| | | | |
|------------|--------|-----------------|----------|
| D. 239,480 | 4/1976 | Thomas | D4/118 |
| 2,849,743 | 9/1958 | McFarland | 15/257.2 |
| 3,082,455 | 3/1963 | Evancha | 15/257.2 |
| 4,109,338 | 8/1978 | Mertes | 15/257.2 |

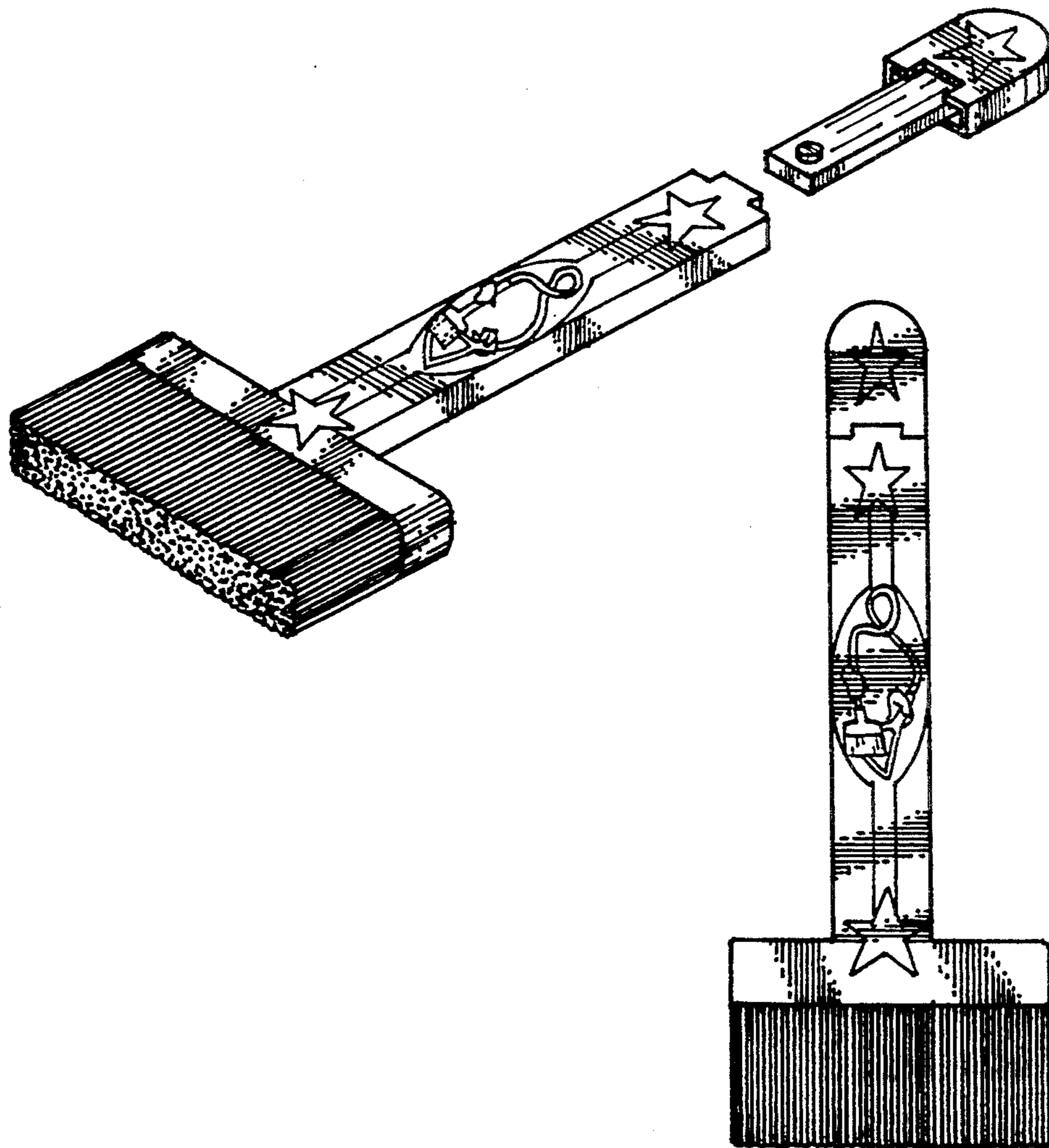
Primary Examiner—Susan J. Lucas
Assistant Examiner—Lavone D. Tabor
Attorney, Agent, or Firm—Terry M. Gernstein

[57] **CLAIM**

The ornamental design for a combined broom and implement for removing dust, as shown and described.

DESCRIPTION

FIG. 1 is an exploded perspective view of the combined broom and implement for removing dust embodying the design of the present invention;
FIG. 2 is a front elevational view thereof shown in assembled condition, the rear being a mirror image of the front shown in FIG. 2;
FIG. 3 is a side elevational view thereof, the side opposite being a mirror image of the side shown in FIG. 3;
FIG. 4 is an end elevational view thereof; and,
FIG. 5 is an end elevational view thereof.



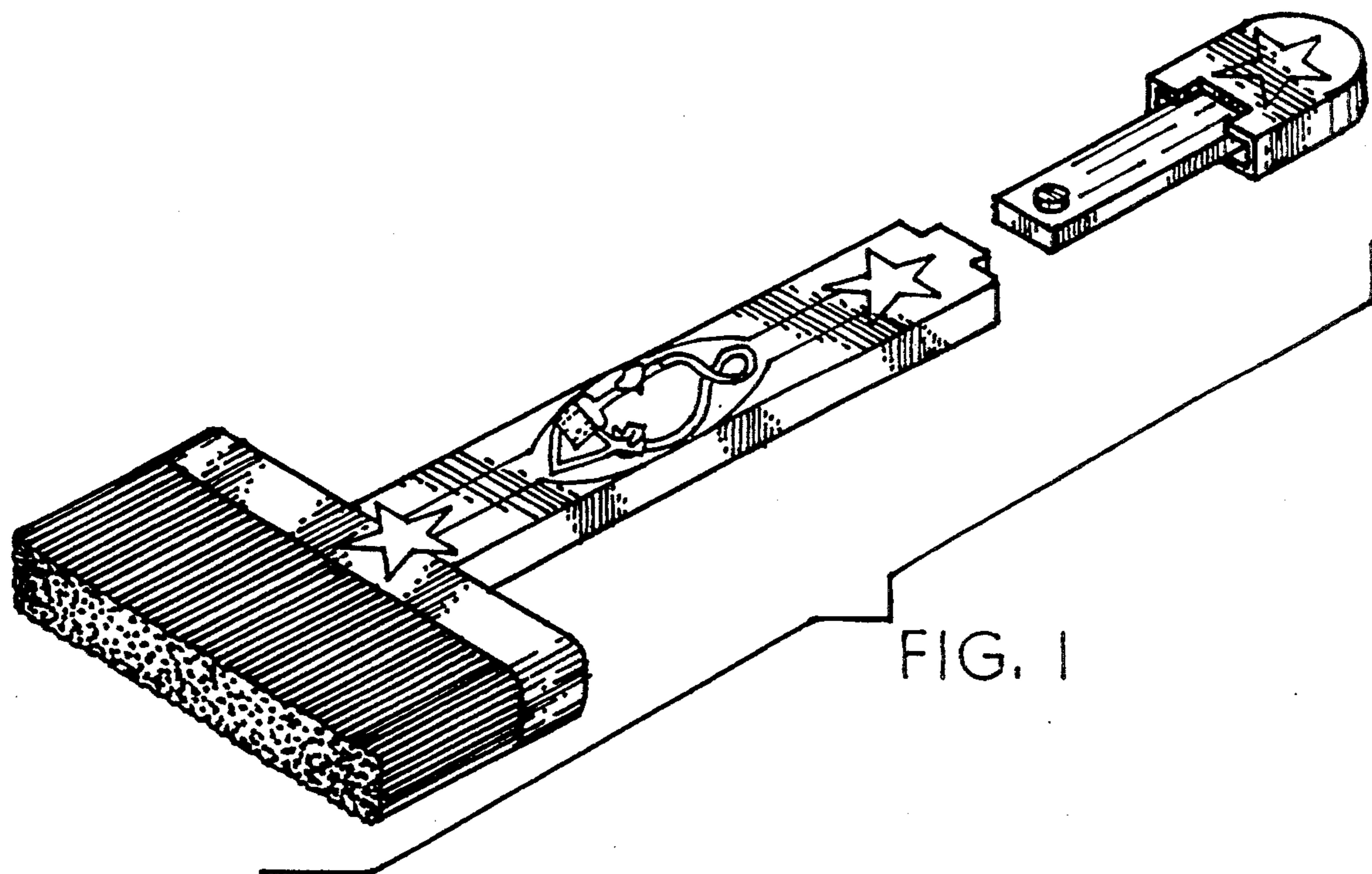


FIG. 4



FIG. 5

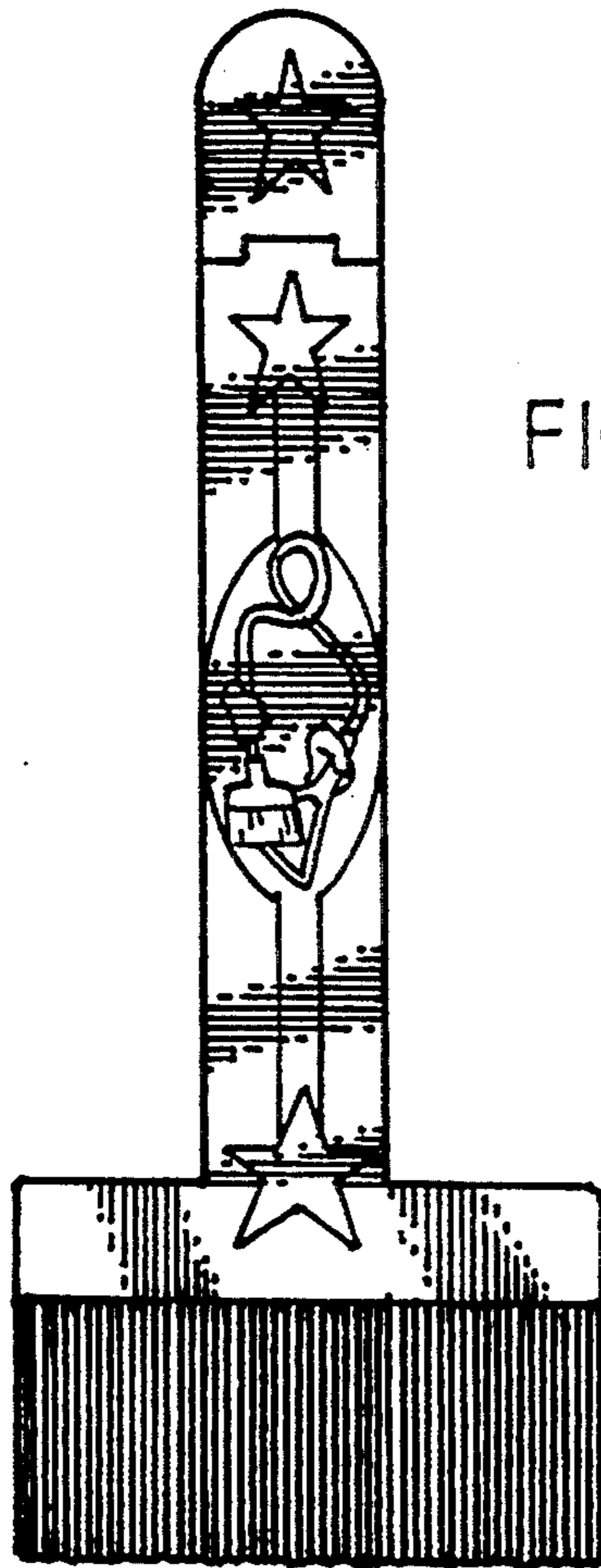


FIG. 2



FIG. 3