



US00D358710S

United States Patent [19]

[11] Patent Number: **Des. 358,710**

Meyers et al.

[45] Date of Patent: **** May 30, 1995**

[54] **CARRIER FOR CAR CARE PRODUCTS**

[76] Inventors: **Lawrence P. Meyers**, 1037 W. 71st Ter., Kansas City, Mo. 64114;
Thomas J. See, 10013 Perry Dr., Overland Park, Kans. 66212

[**] Term: **14 Years**

[21] Appl. No.: **12,099**

[22] Filed: **Aug. 23, 1993**

[52] U.S. Cl. **D3/310**

[58] Field of Search D3/304, 307-314;
220/500, 553, 555, 755, 771; 206/1.7-1.9, 6.1,
214, 348, 503, 564, 518; 224/311

[56] **References Cited**

U.S. PATENT DOCUMENTS

D. 280,669	9/1985	Hammeke	D3/308
D. 321,074	10/1991	Eby	D3/313
3,838,806	10/1974	Dogliotti	206/564
3,982,655	9/1976	Kaufert	206/518 X

FOREIGN PATENT DOCUMENTS

2125109	11/1972	Germany	206/503
7908488	6/1981	Netherlands	220/771

Primary Examiner—Terry A. Wallace
Assistant Examiner—Richelle Shelton
Attorney, Agent, or Firm—Litman, McMahon & Brown

[57] **CLAIM**

The ornamental design for a carrier for car care products, as shown and described.

DESCRIPTION

FIG. 1 is a top perspective view of a carrier for car care products, showing our new design; FIG. 2 is a top plan view thereof; FIG. 3 is a front elevational view thereof, the rear elevational view being a mirror image thereof; FIG. 4 is a bottom plan view thereof; and, FIG. 5 is a right side elevational view thereof, the left side being a mirror image thereof.

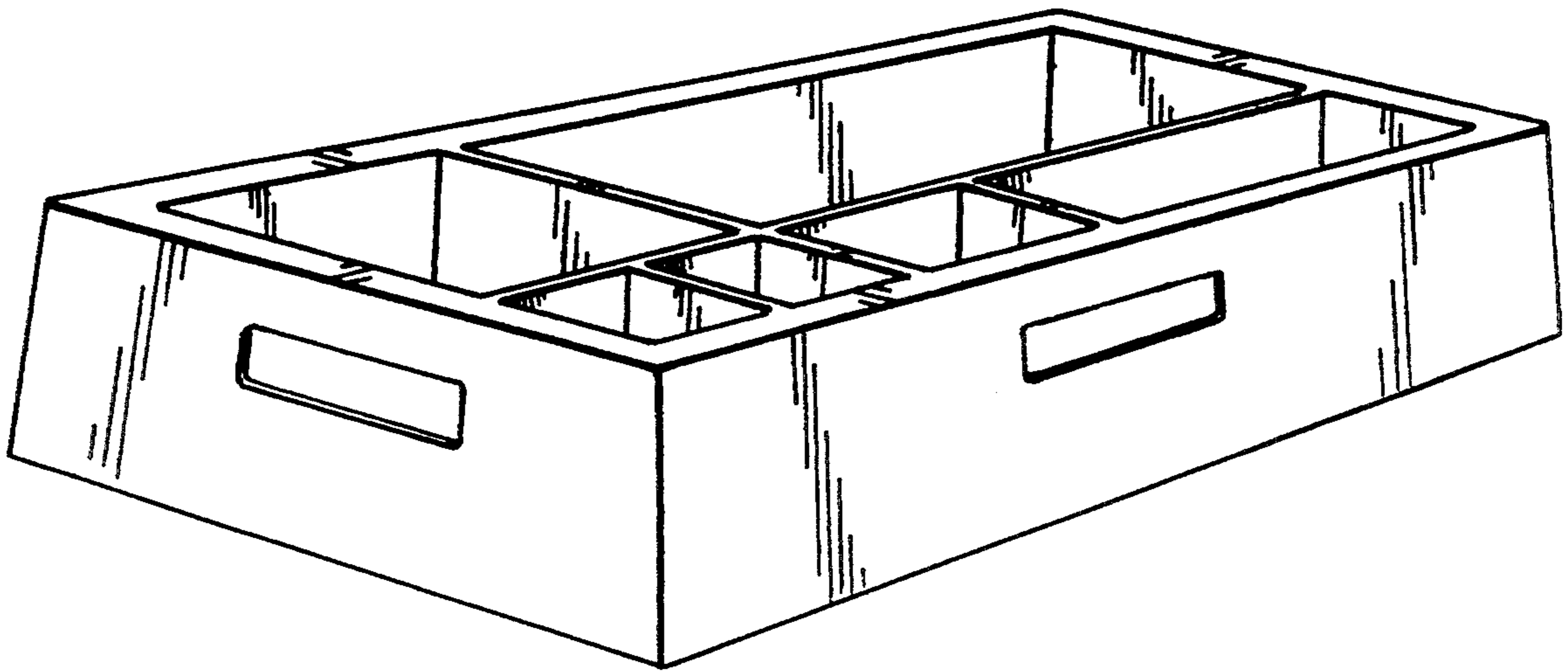


Fig. 1.

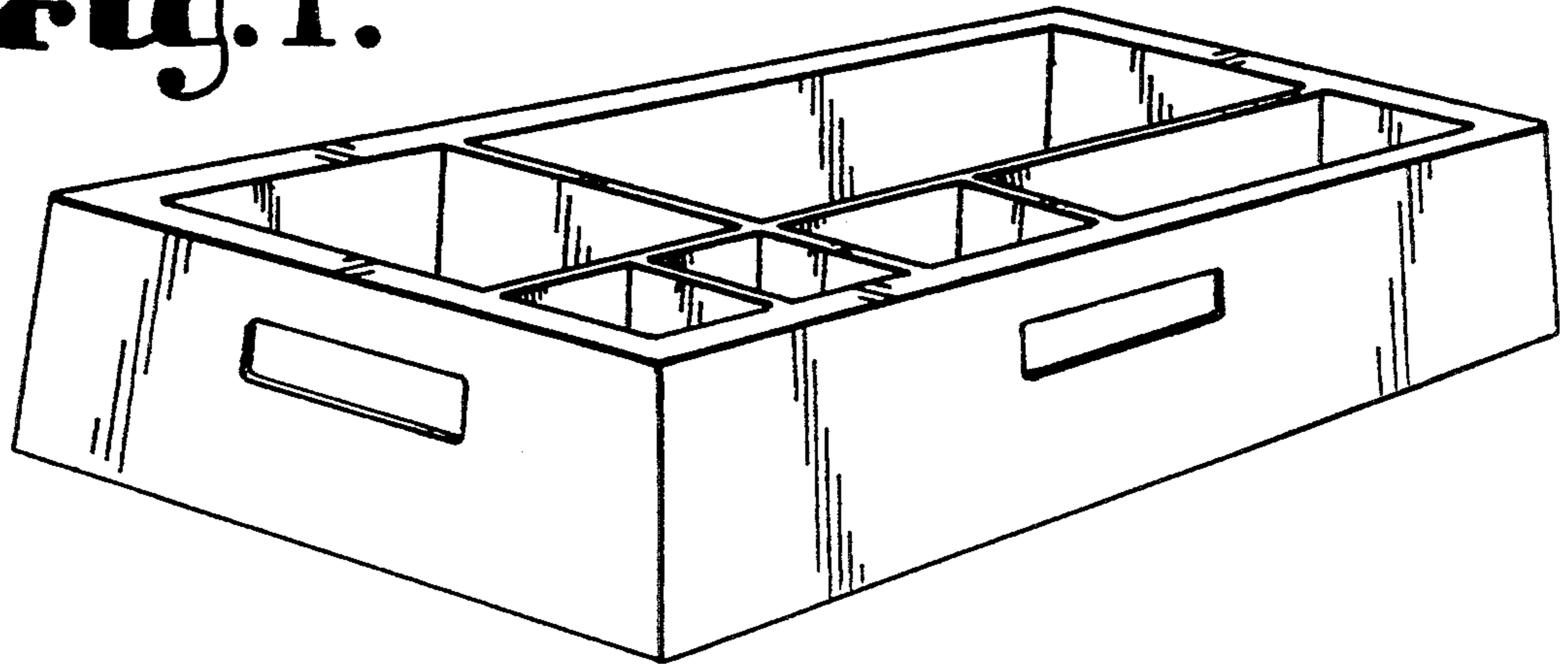


Fig. 2.

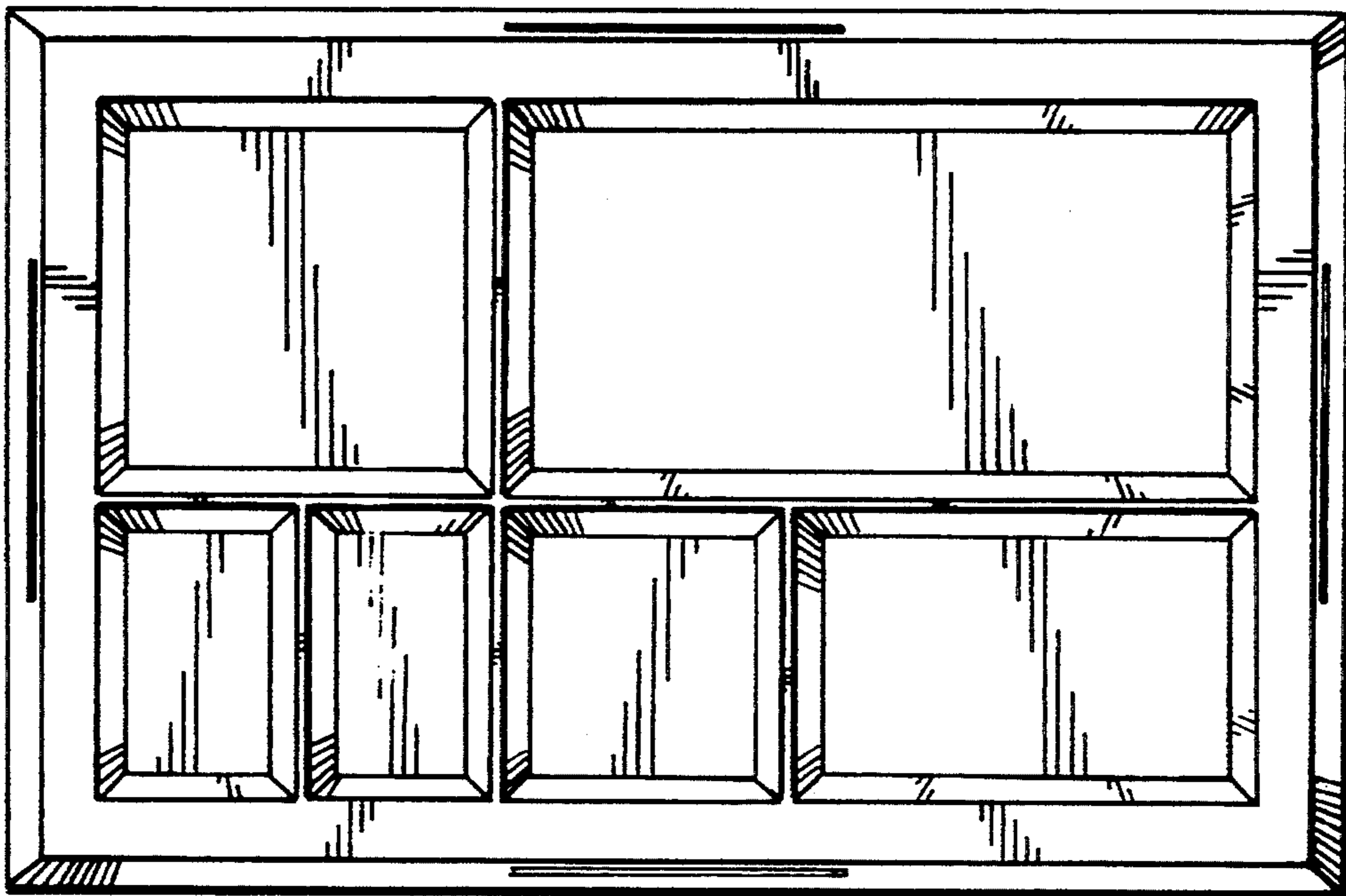


Fig. 3.

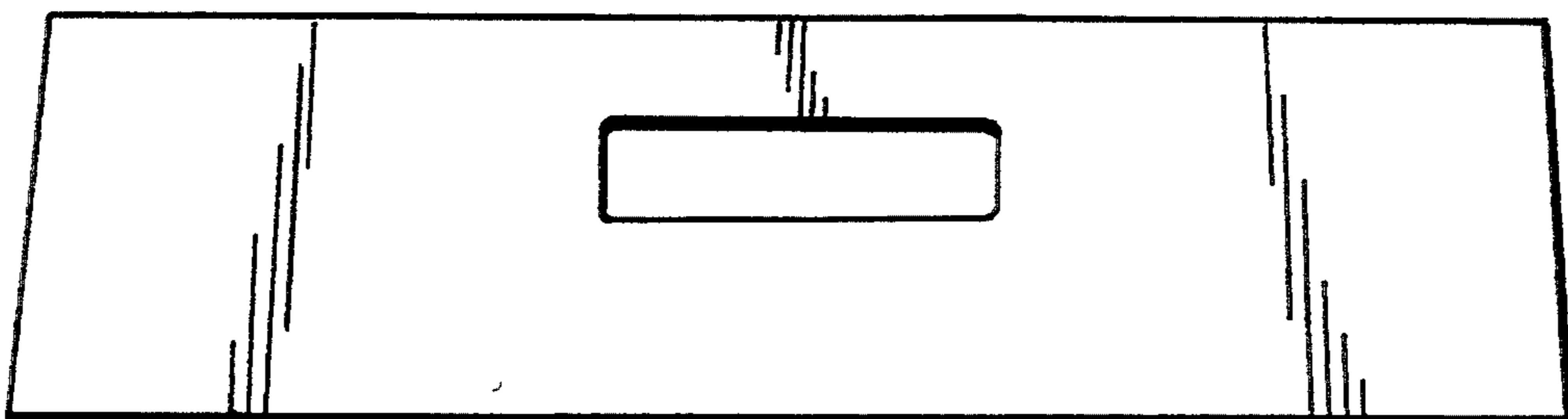


Fig. 4.

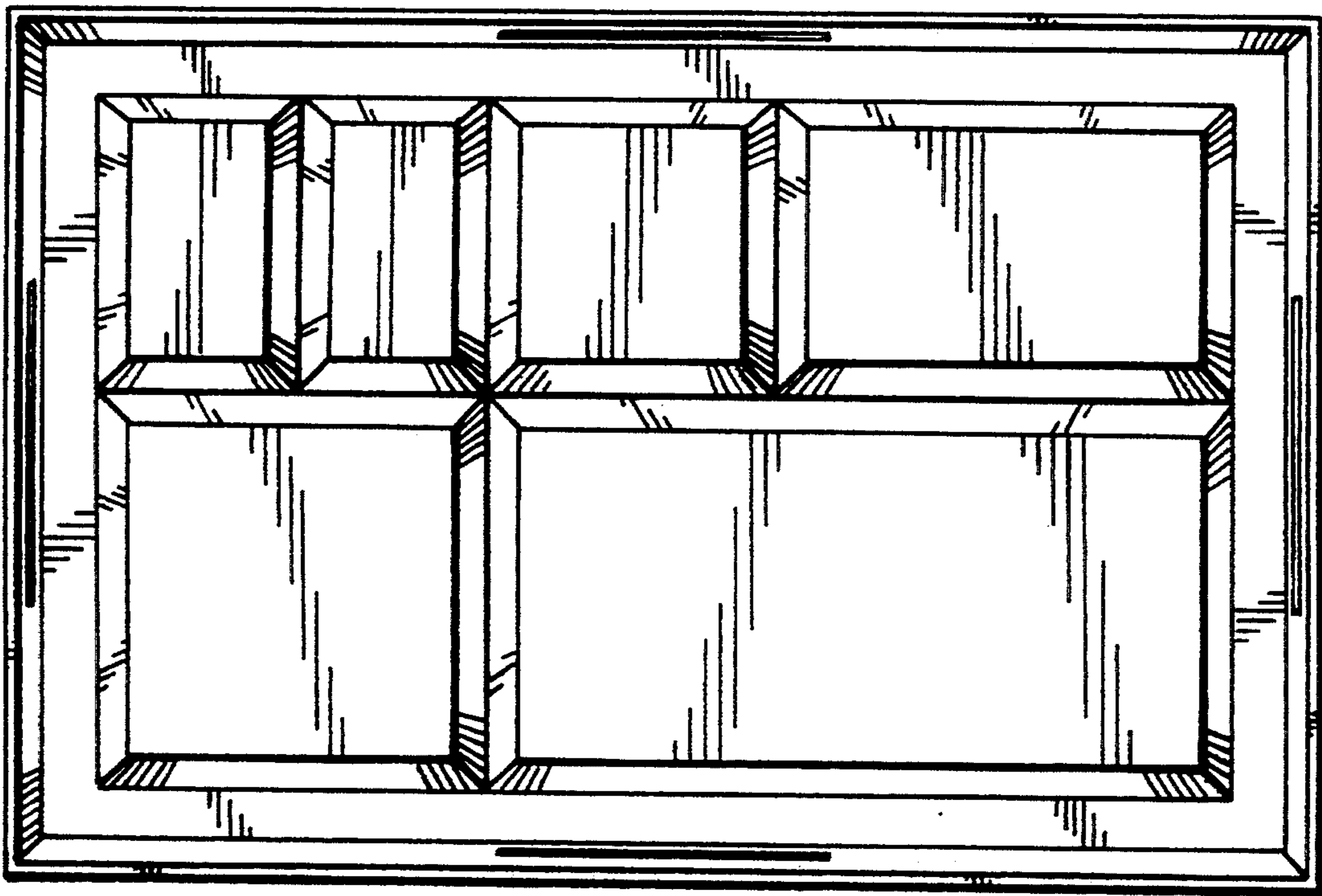


Fig. 5.

