



US00D358709S

# United States Patent [19]

[11] Patent Number: **Des. 358,709**

**Chang**

[45] Date of Patent: **\*\* May 30, 1995**

[54] **TOOL BOX**

[76] Inventor: **Fu-Ping Chang**, No. 7, Ta Chih Lane, Hsueh Fu Rd., San Ho Tsun, Ta Ya Hsiang, Taichung Hsien, Taiwan, Prov. of China

[\*\*] Term: **14 Years**

[21] Appl. No.: **20,274**

[22] Filed: **Mar. 23, 1994**

[52] U.S. Cl. .... **D3/282; D3/276**

[58] Field of Search ..... **D3/273, 276, 281, 282, D3/292, 294, 900; 190/100, 115, 122, 900, 901**

[56] **References Cited**

### U.S. PATENT DOCUMENTS

- D. 196,955 11/1963 Parsell ..... D3/282
- D. 218,267 8/1970 Belokin ..... D3/289 X
- D. 314,669 2/1991 Kunimune ..... D3/900 X
- D. 339,684 9/1993 Cislo ..... D3/900 X

- D. 351,504 10/1994 Tarozzi ..... D3/276
- 4,344,646 8/1982 Michel ..... D3/284 X

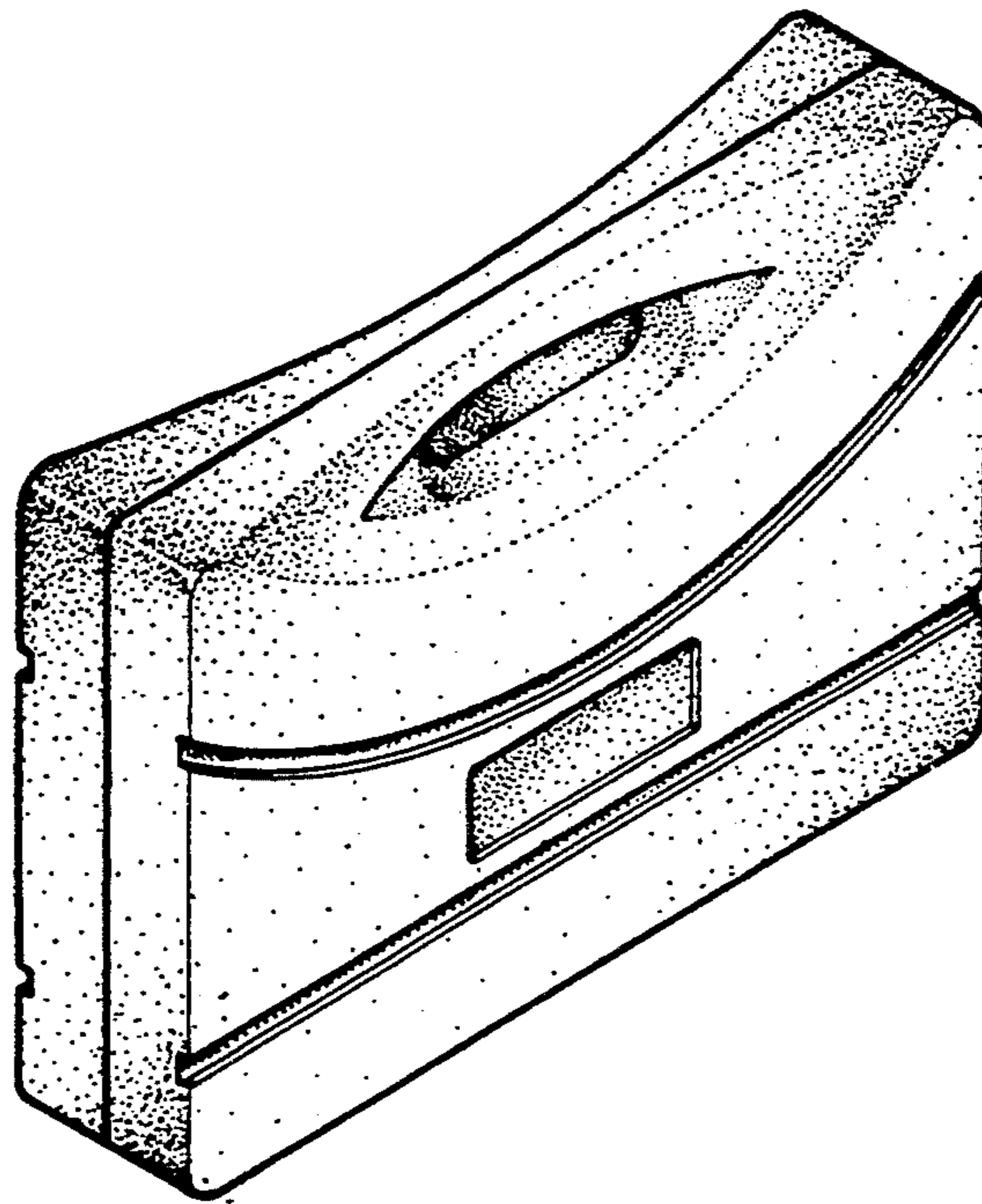
*Primary Examiner*—Theodore M. Shooman  
*Assistant Examiner*—Dominic Simone  
*Attorney, Agent, or Firm*—Morton J. Rosenberg; David I. Klein

### [57] CLAIM

The ornamental design for a tool box, as shown and described.

### DESCRIPTION

FIG. 1 is a front-left-top perspective view of a tool box, showing my new design;  
FIG. 2 is a front elevational view thereof;  
FIG. 3 is a rear elevational view thereof;  
FIG. 4 is a left side elevational view thereof the right side elevational view being a mirror image thereof;  
FIG. 5 is a top plan view thereof; and,  
FIG. 6 is a bottom plan view thereof.



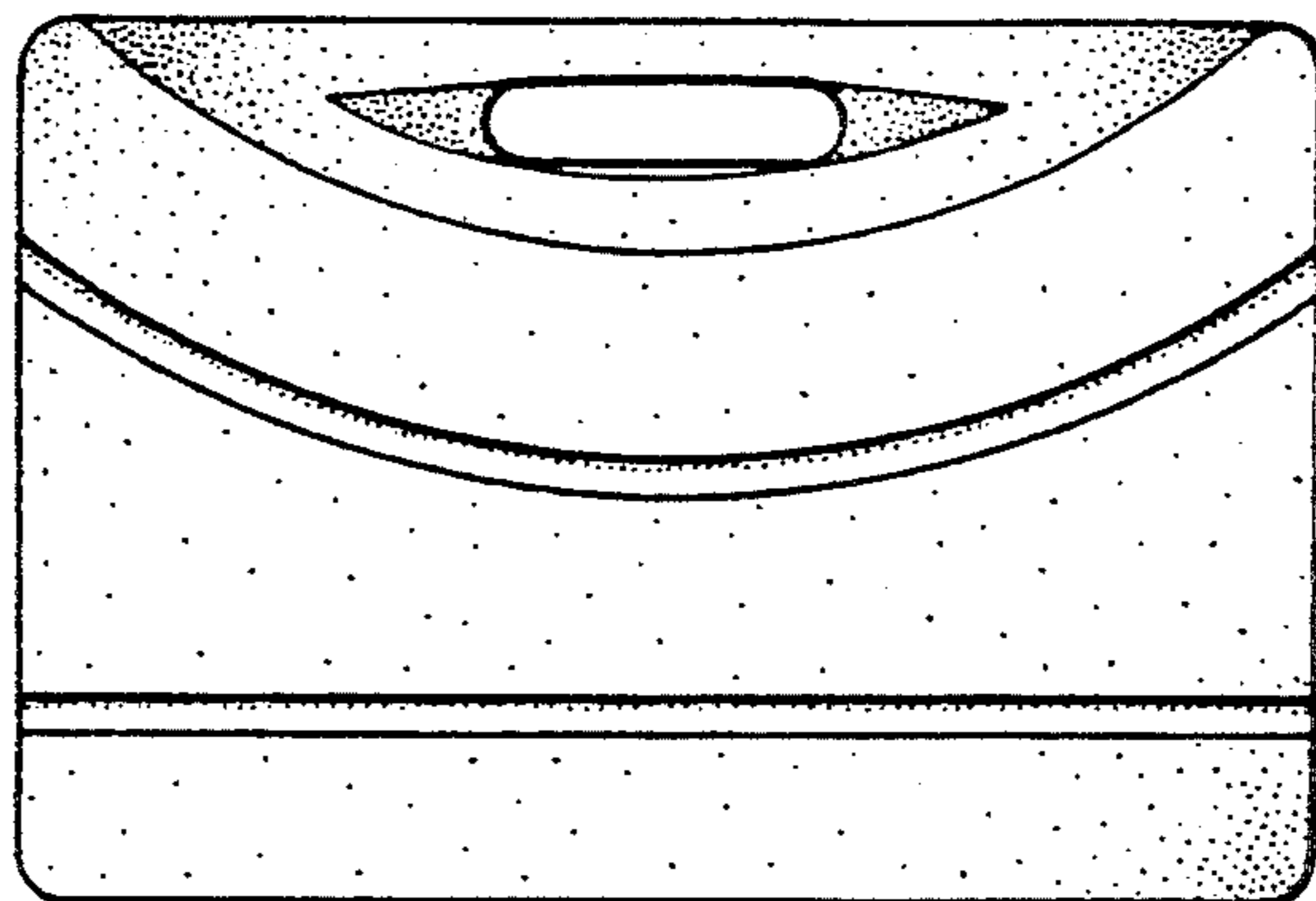


FIG. 3

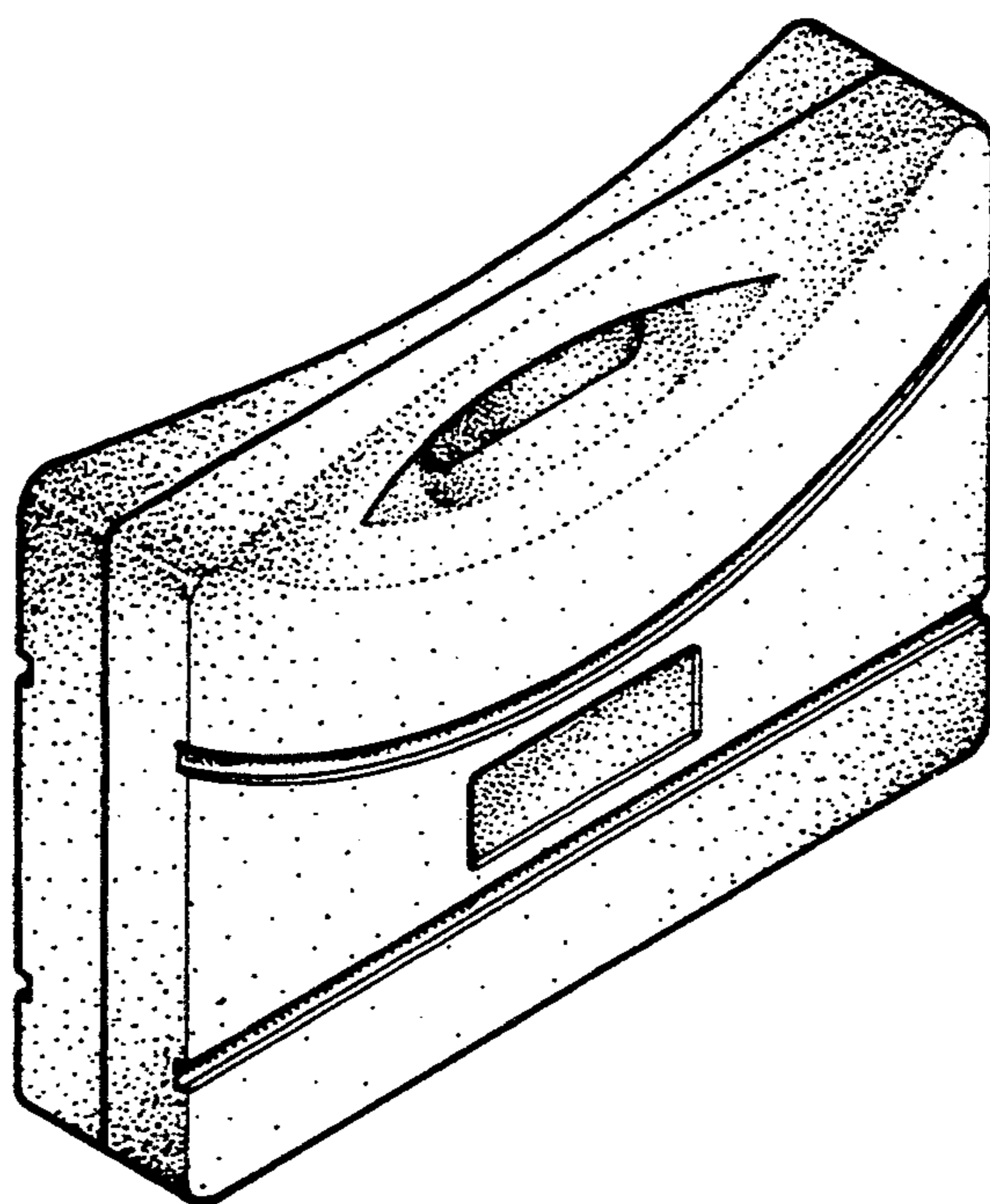


FIG. 1



FIG. 5

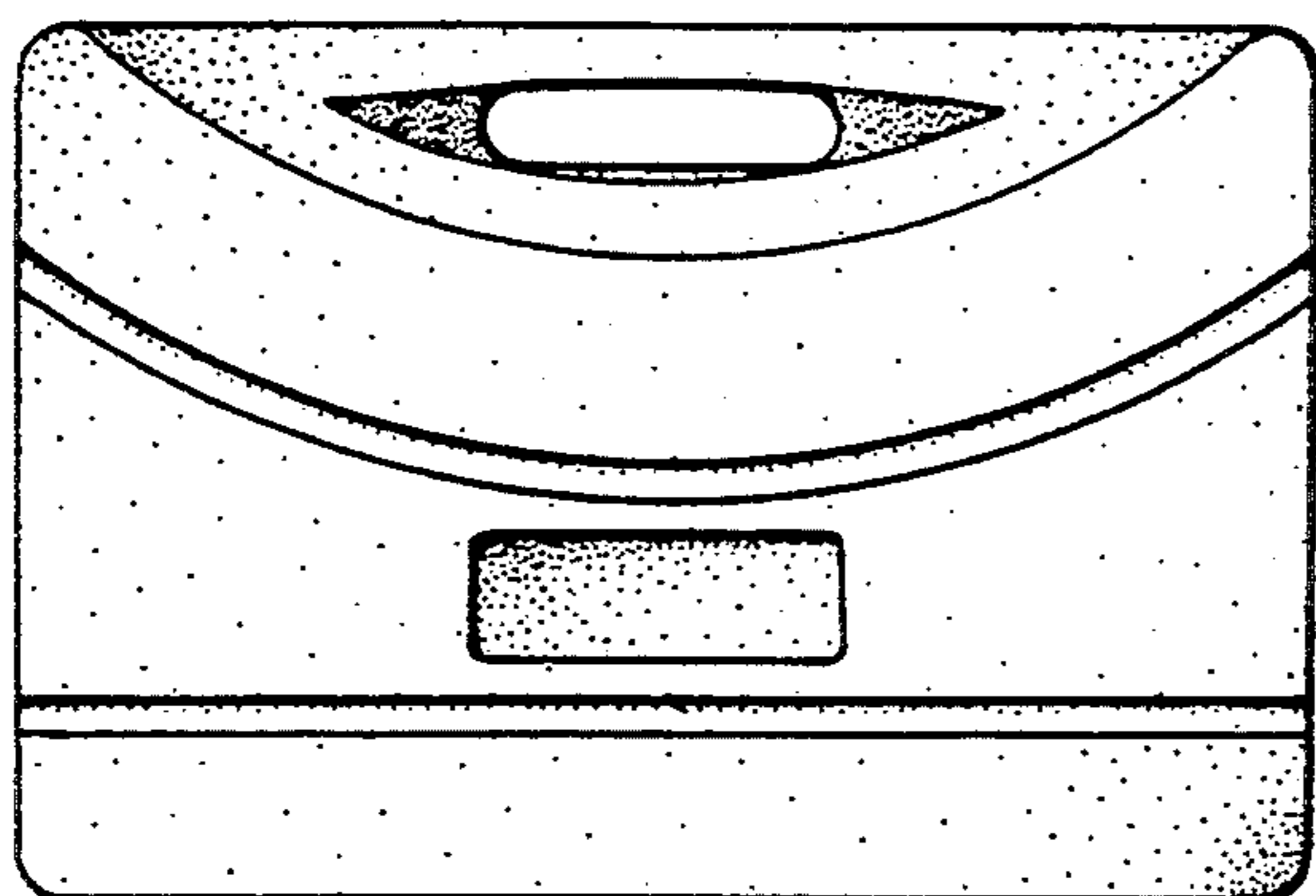


FIG. 2

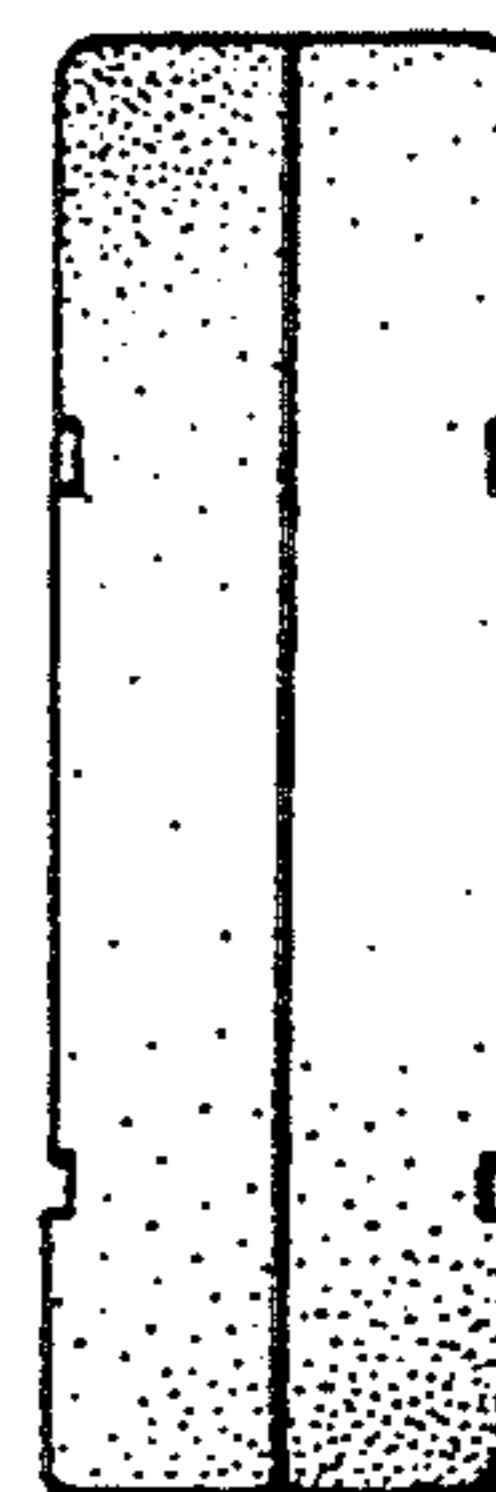


FIG. 4

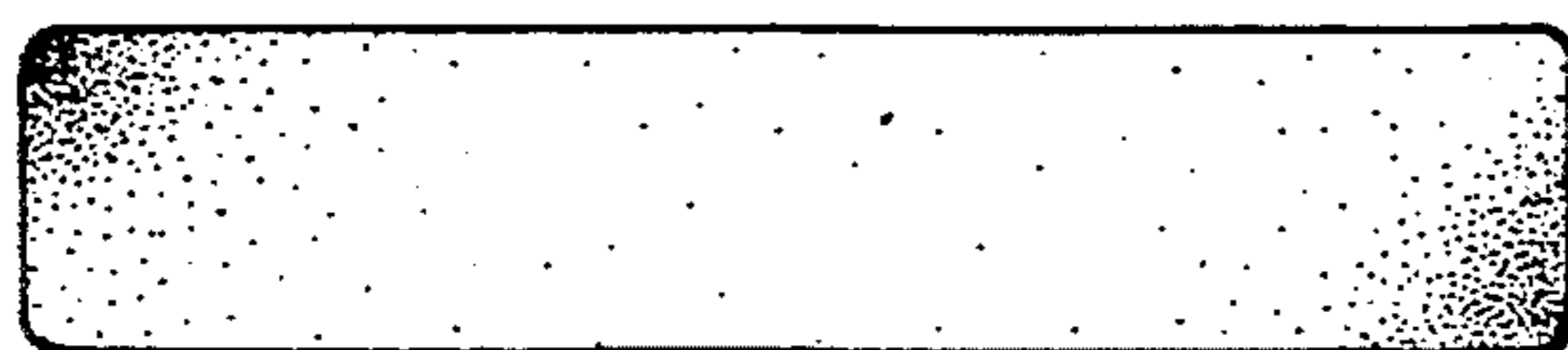


FIG. 6