



US00D358708S

United States Patent [19] Ko

[11] Patent Number: **Des. 358,708**

[45] Date of Patent: **** May 30, 1995**

[54] BEAUTY CASE

[75] Inventor: **Chin-Der Ko**, Tainan, Taiwan, Prov. of China

[73] Assignee: **Mei Kuai Cosmetics Co., Ltd.**, Tainan, Taiwan, Prov. of China

[**] Term: **14 Years**

[21] Appl. No.: **19,551**

[22] Filed: **Mar. 4, 1994**

[52] U.S. Cl. **D3/276; D3/275; D3/283; D3/297; D3/905**

[58] Field of Search **D3/271, 273, 275, 276, D3/283, 284, 286, 287, 297, 294, 905; 312/270.1, 272, 273, 244, 902; 190/16, 17, 100, 103, 109, 111, 115, 119, 120, 900-903; 206/44 R, 45**

823,778 6/1906 Herbeck 190/16
 1,099,373 6/1914 Hughes 190/17
 2,491,374 12/1949 Gold 190/17
 3,437,389 4/1969 Perkins et al. 312/273 X

Primary Examiner—Theodore M. Shooman
Assistant Examiner—Dominic Simone
Attorney, Agent, or Firm—Morton J. Rosenberg; David I. Klein

[57] CLAIM

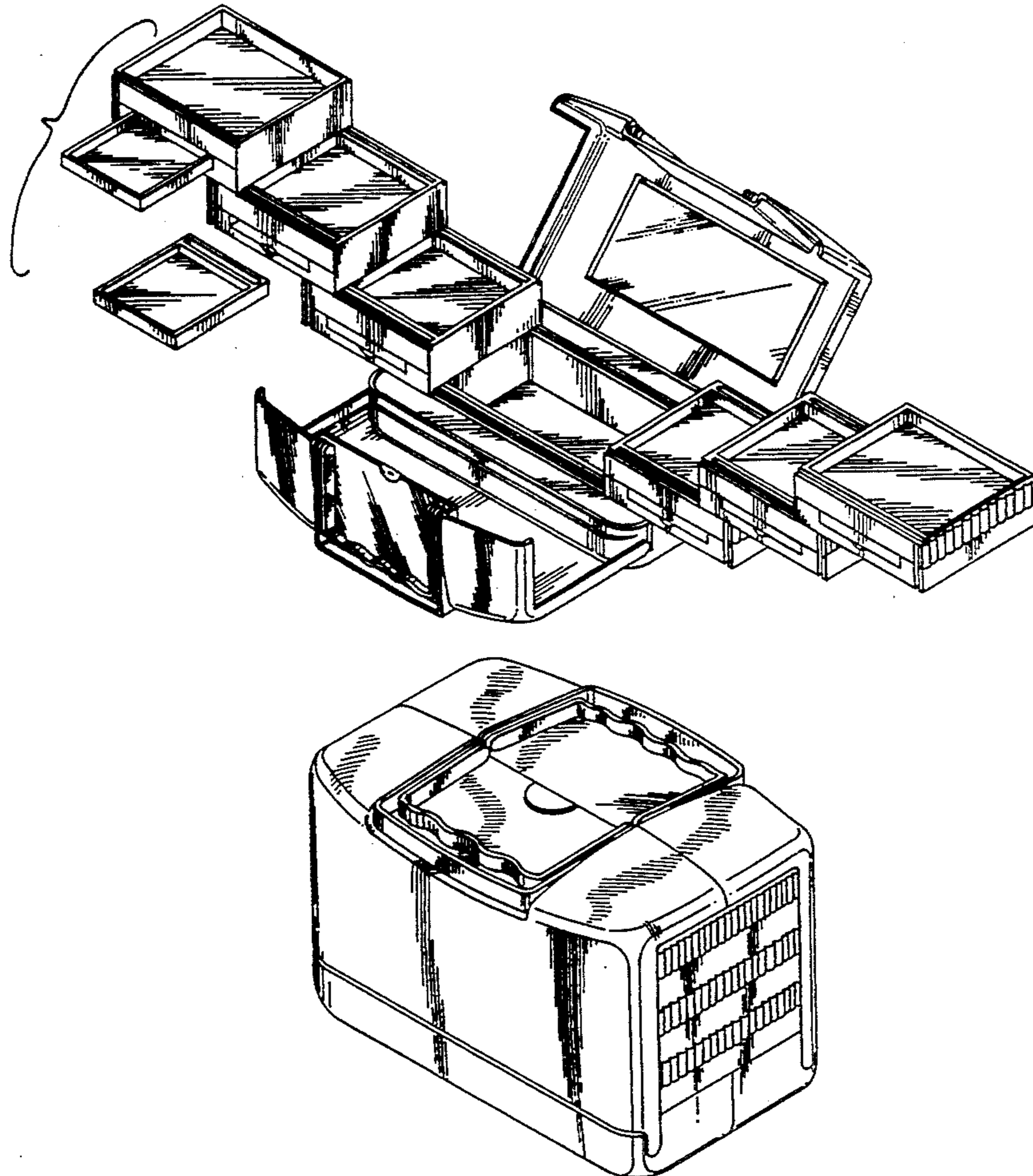
The ornamental design for a beauty case, as shown and described.

DESCRIPTION

FIG. 1 is a perspective view of a beauty case showing my new design;
 FIG. 2 is a front elevational view thereof;
 FIG. 3 is a rear elevational view thereof;
 FIG. 4 is a left side elevational view thereof;
 FIG. 5 is a right side elevational view thereof;
 FIG. 6 is a top plan view thereof;
 FIG. 7 is a bottom plan view thereof;
 FIG. 8 is a partially exploded perspective view thereof, one drawer in an open position; and,
 FIG. 9 is a perspective view thereof, the beauty case in a closed position.

[56] **References Cited**
U.S. PATENT DOCUMENTS

D. 103,912 3/1937 Mondl D3/284
 D. 153,828 5/1949 Settle D3/284
 D. 322,162 12/1991 Wu D3/271 X
 682,903 9/1901 Bendall 190/16



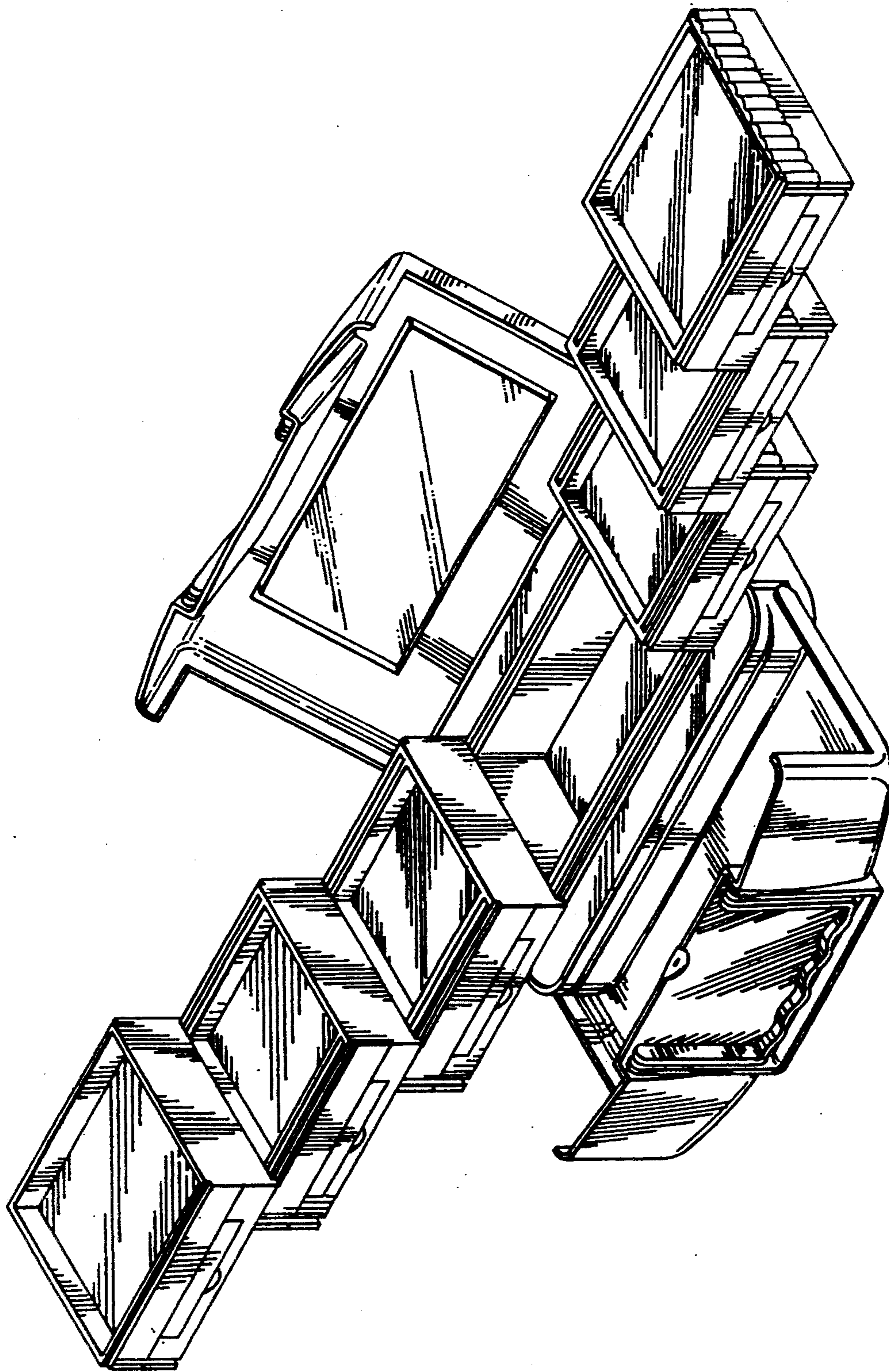


FIG. 1

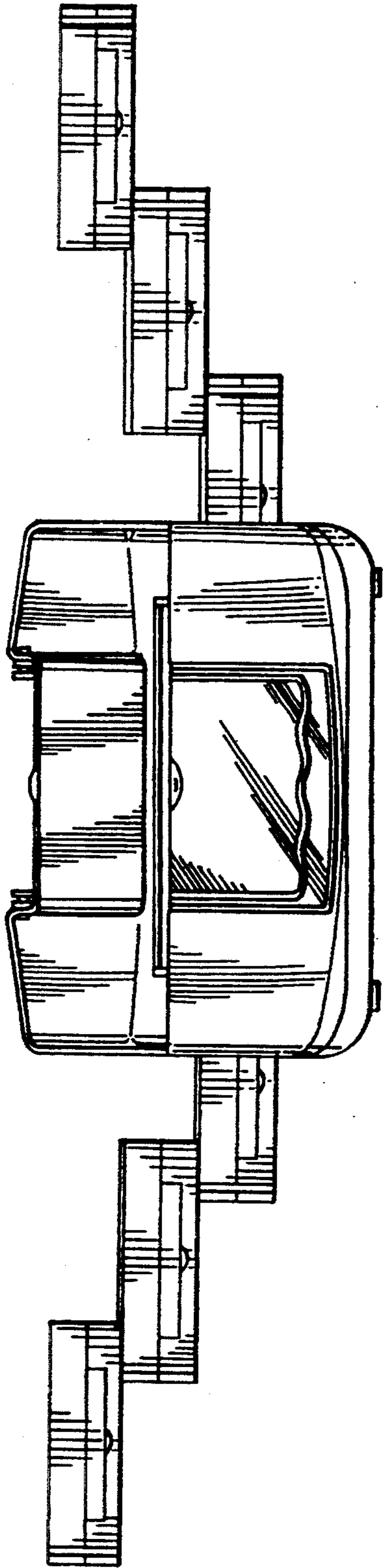


FIG. 2

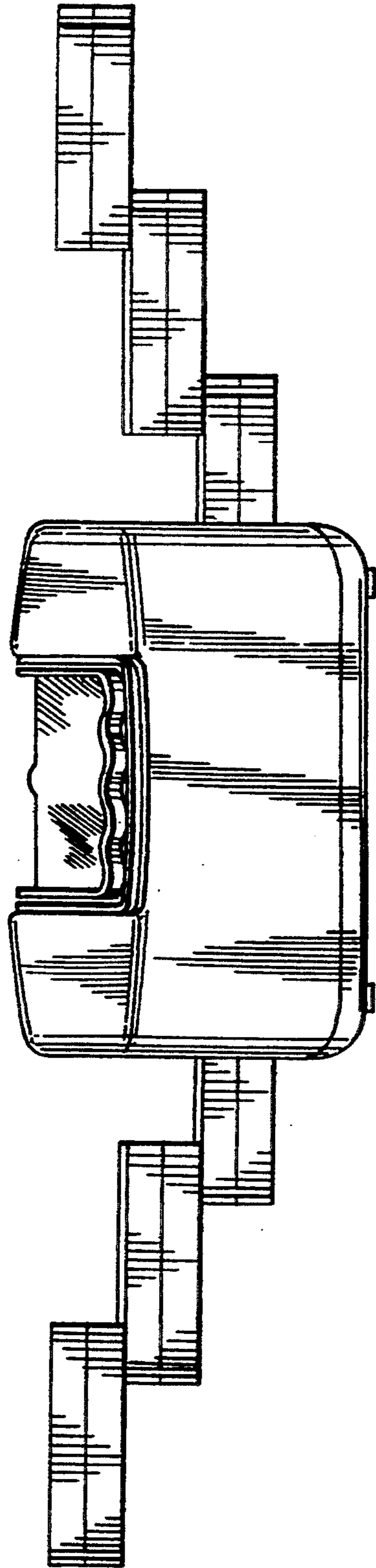


FIG. 3

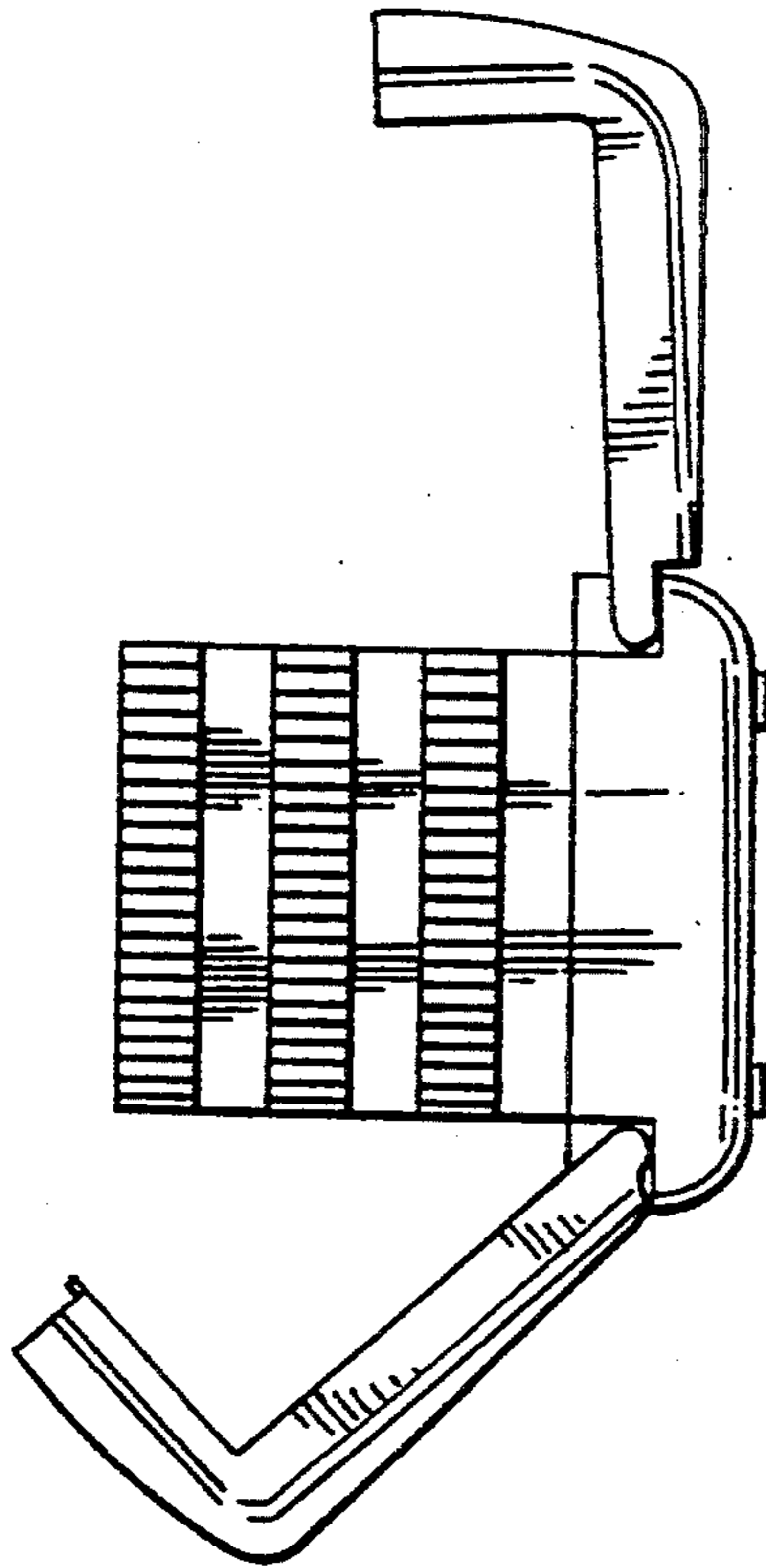


FIG. 4

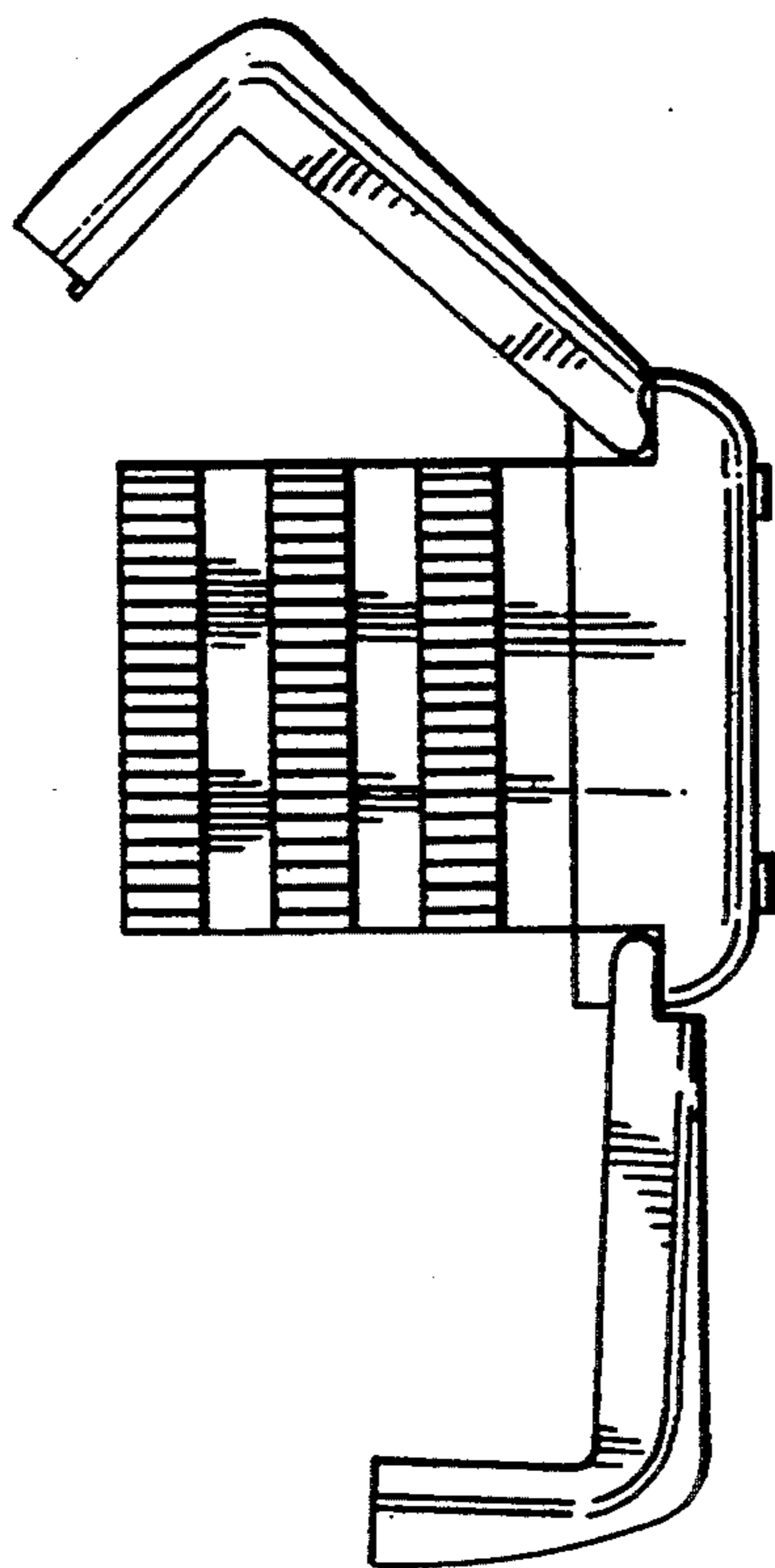


FIG. 5

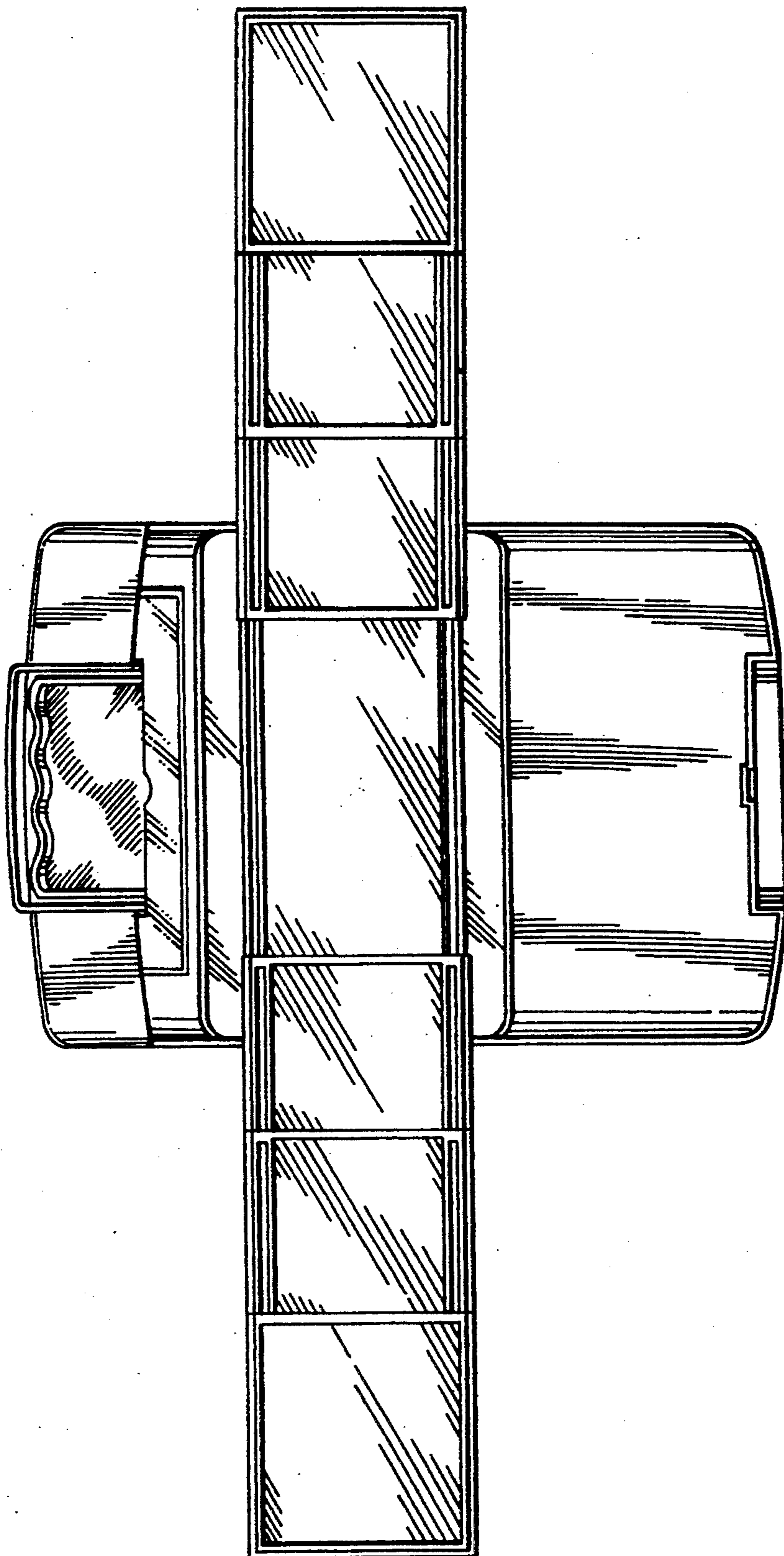


FIG. 6

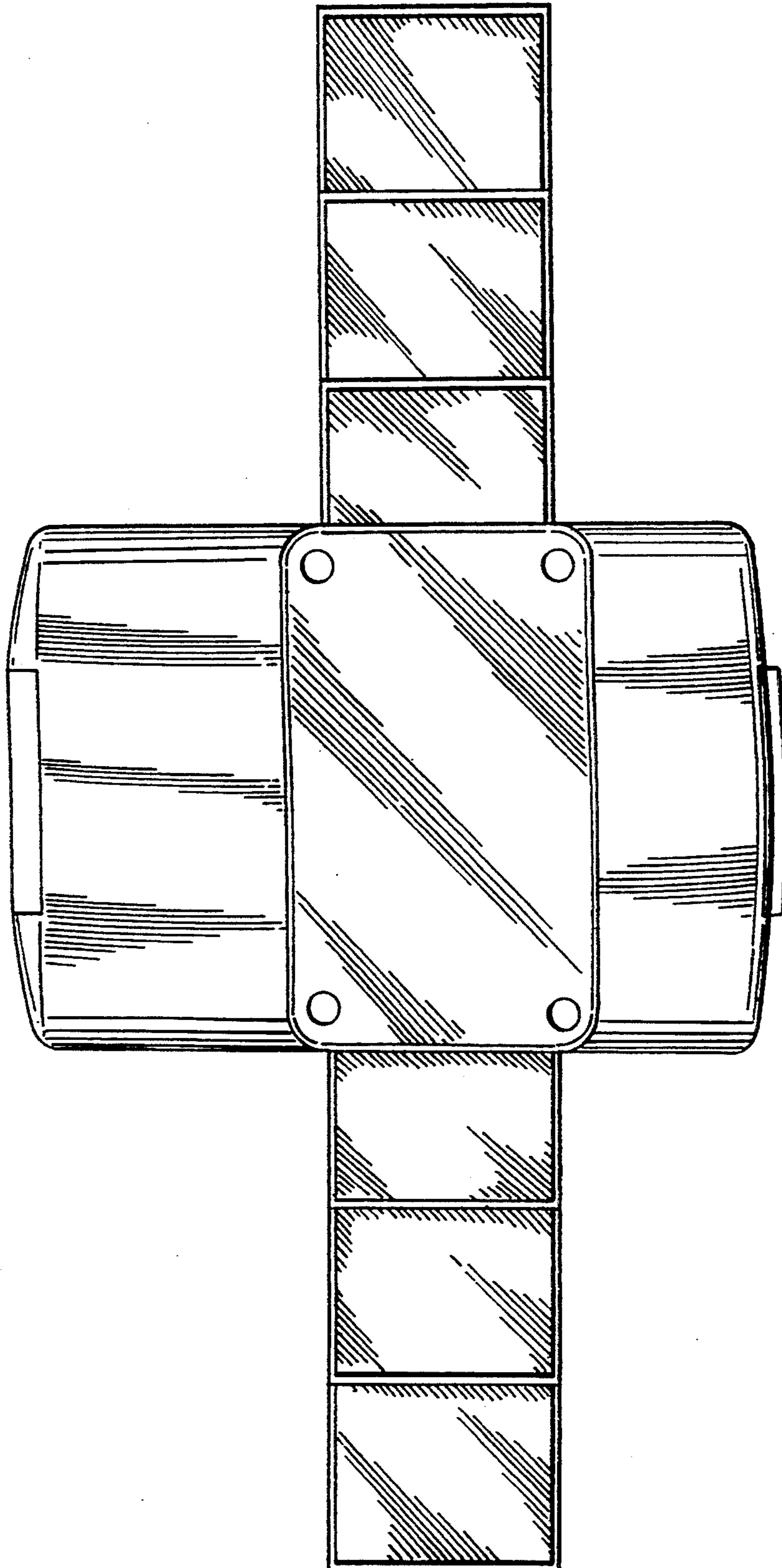


FIG. 7

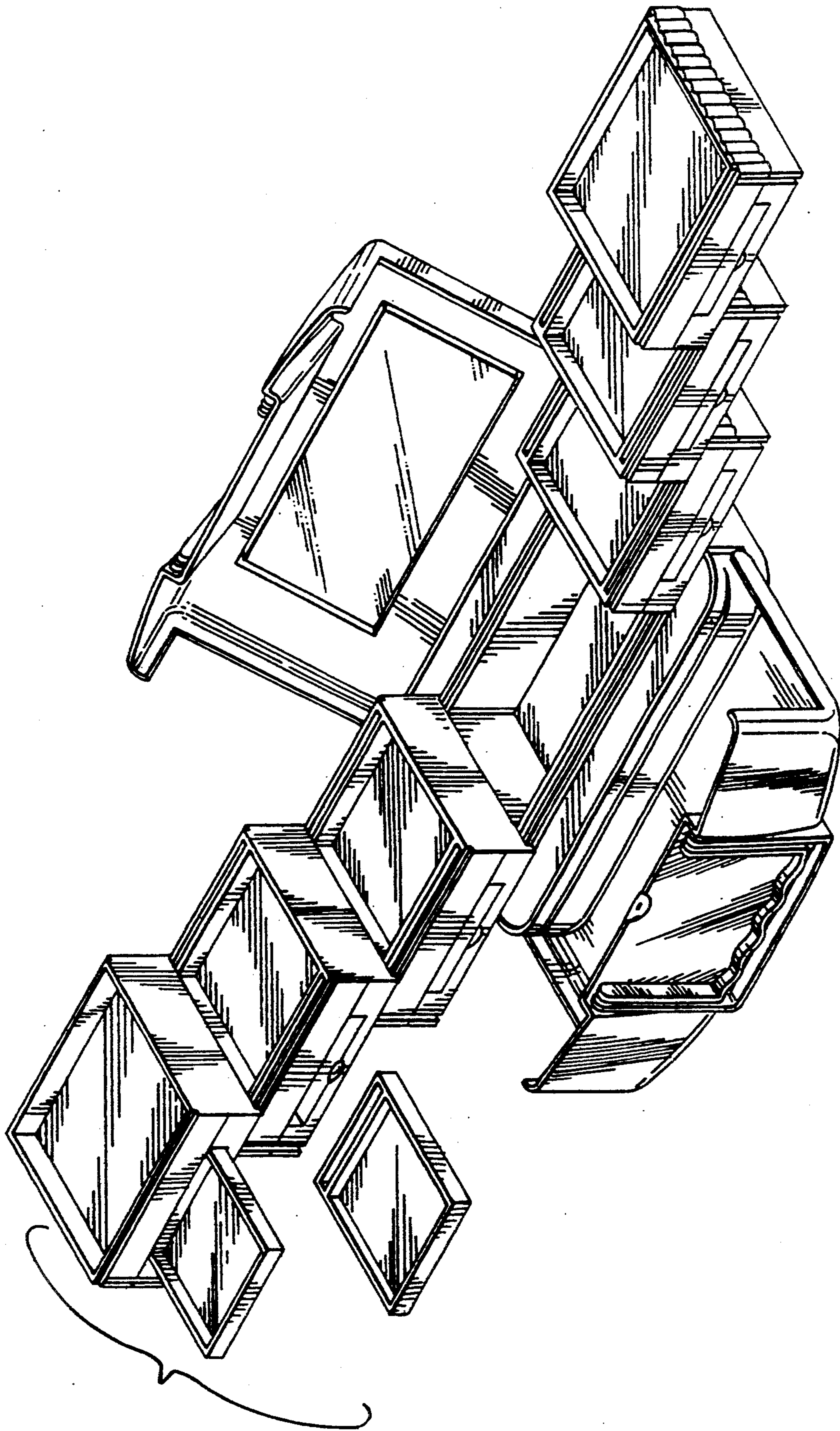


FIG. 8

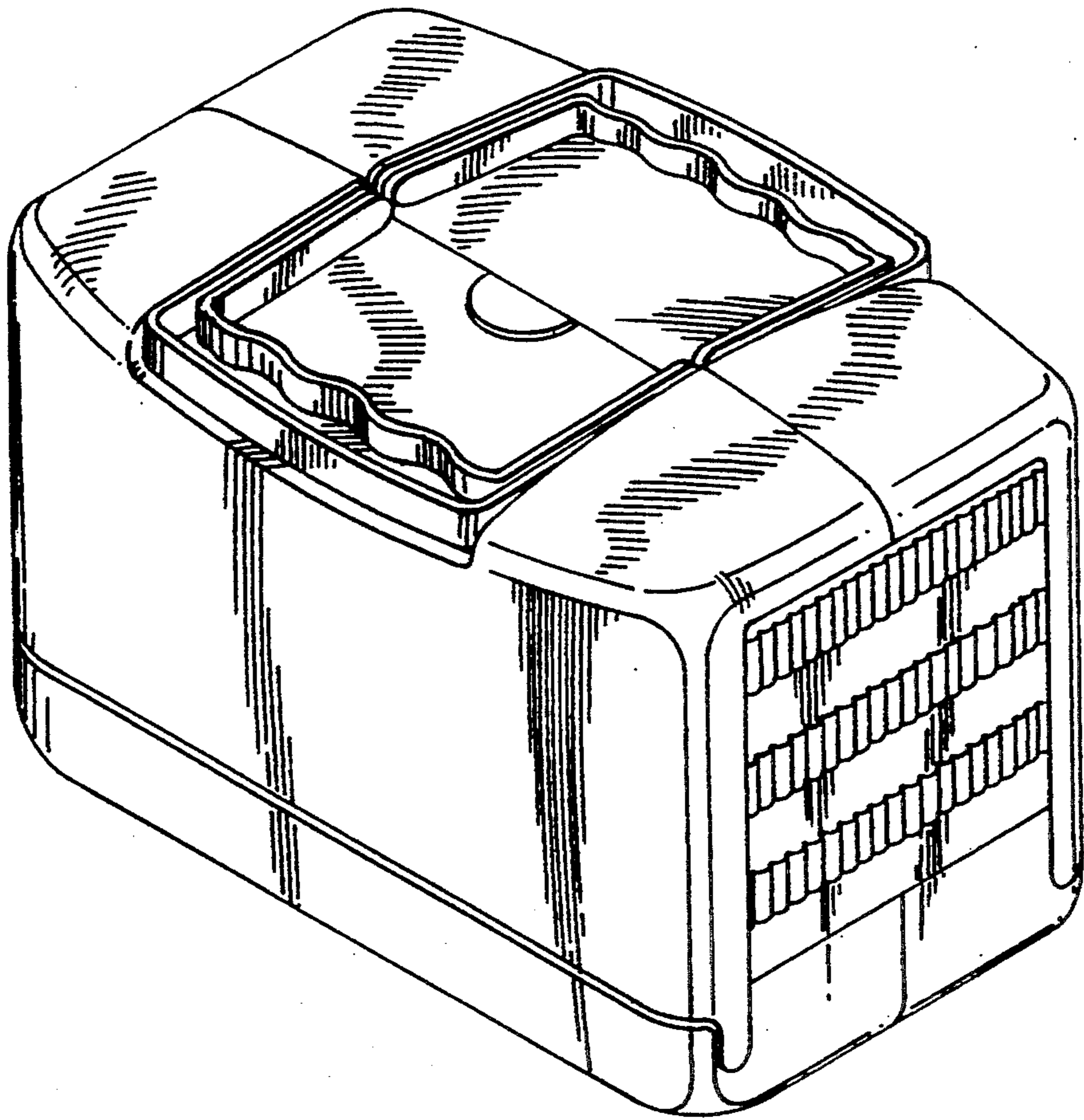


FIG. 9