



US00D358698S

United States Patent [19]

[11] Patent Number: **Des. 358,698**

Henry

[45] Date of Patent: **** May 23, 1995**

[54] TRAILER PARK AND LOCK STAND

[56] References Cited

[76] Inventor: **John S. Henry**, 2428 E. Ave. R-4,
Palmdale, Calif. 93550

U.S. PATENT DOCUMENTS

D. 291,017 7/1987 Magness D34/31
D. 310,799 9/1990 van der Merwe et al. D12/106
4,548,418 10/1985 Wendorff 248/352

[**] Term: **14 Years**

Primary Examiner—Brian N. Vinson
Attorney, Agent, or Firm—Roger A. Marrs

[21] Appl. No.: **9,723**

[57] CLAIM

The ornamental design for a trailer park and lock stand,
as shown.

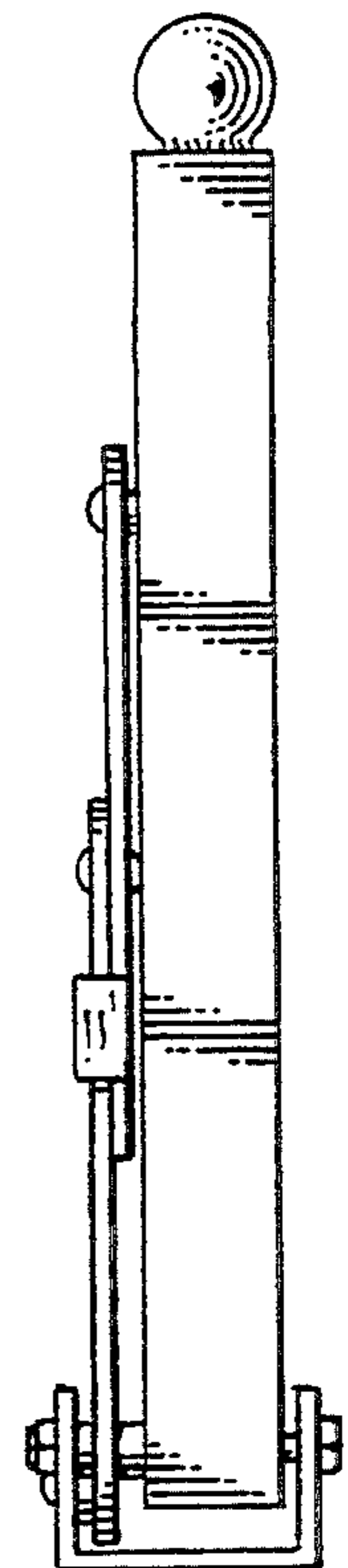
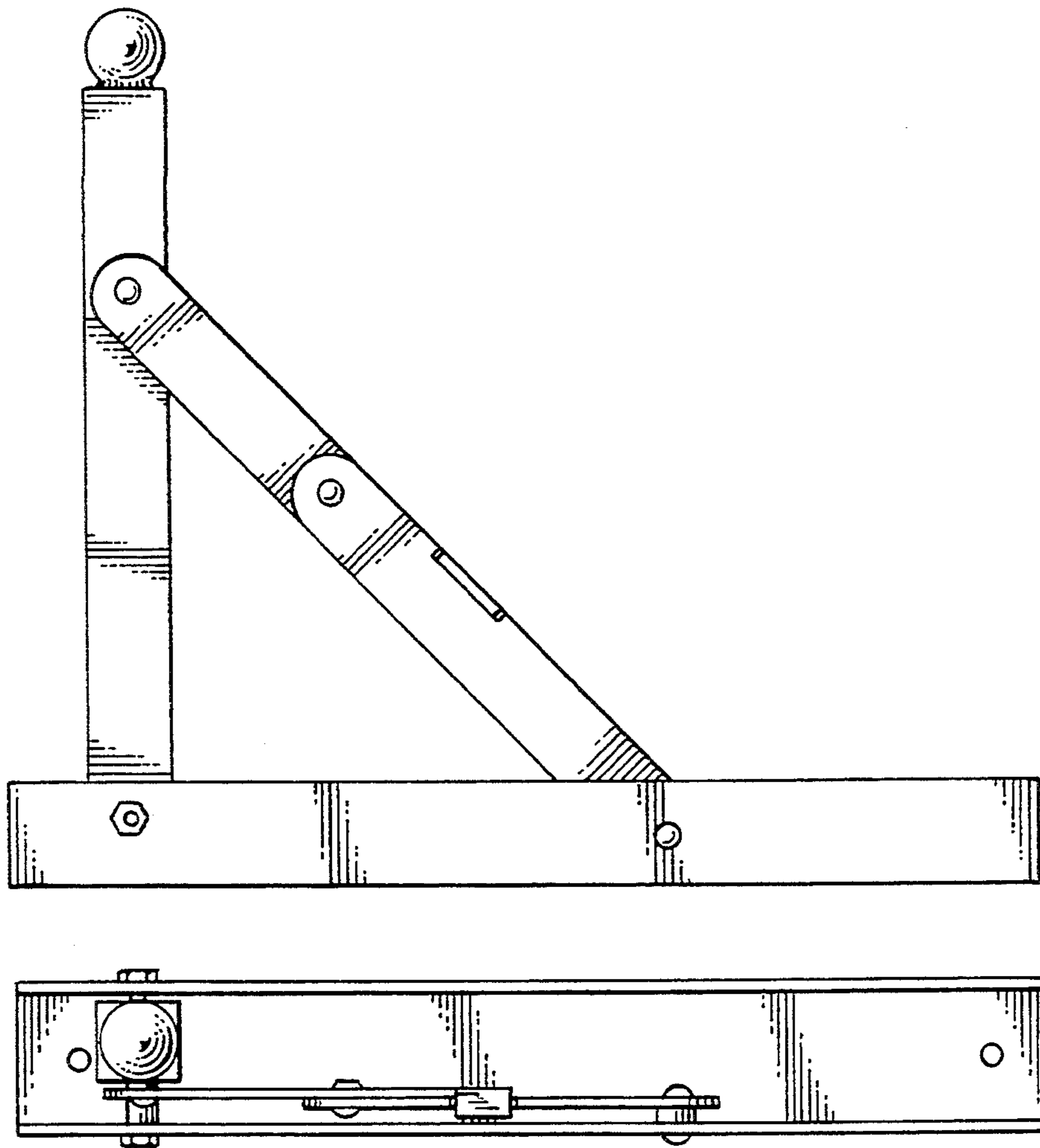
[22] Filed: **Jun. 1, 1993**

DESCRIPTION

[52] U.S. Cl. **D34/31; D12/106;**
D8/331

FIG. 1 is a front elevational view of a trailer park and
lock stand showing my new design;
FIG. 2 is a top plan view thereof;
FIG. 3 is a right side elevational view taken of FIG. 1;
FIG. 4 is a back elevational view; and,
FIG. 5 is a left side elevational view taken of FIG. 1.

[58] Field of Search **D8/330-331,**
D8/343; D12/106, 159, 162, 400, 223;
248/351-352; 280/406.2; 70/14, 57-58, 237,
258; D34/31



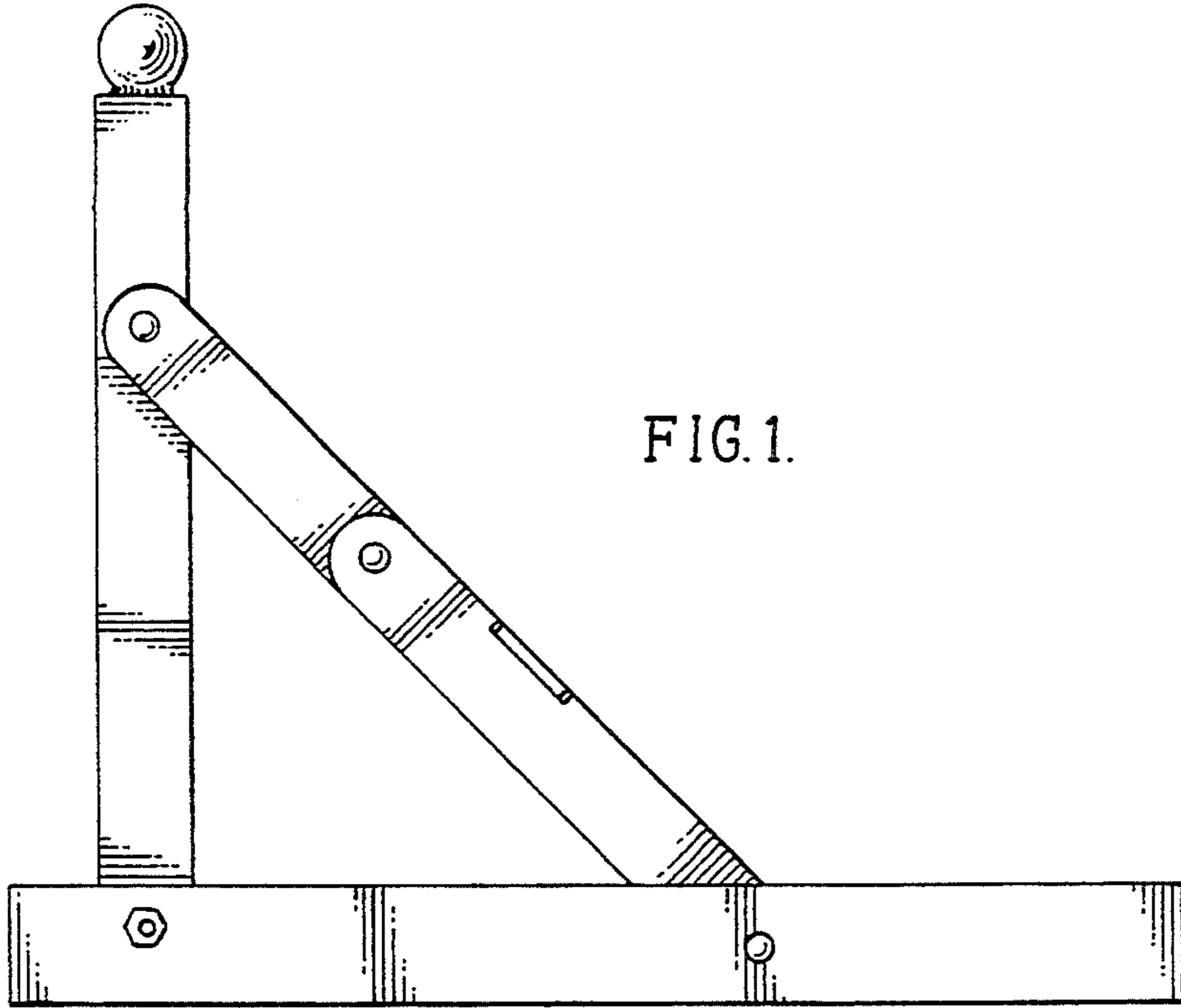


FIG. 1.

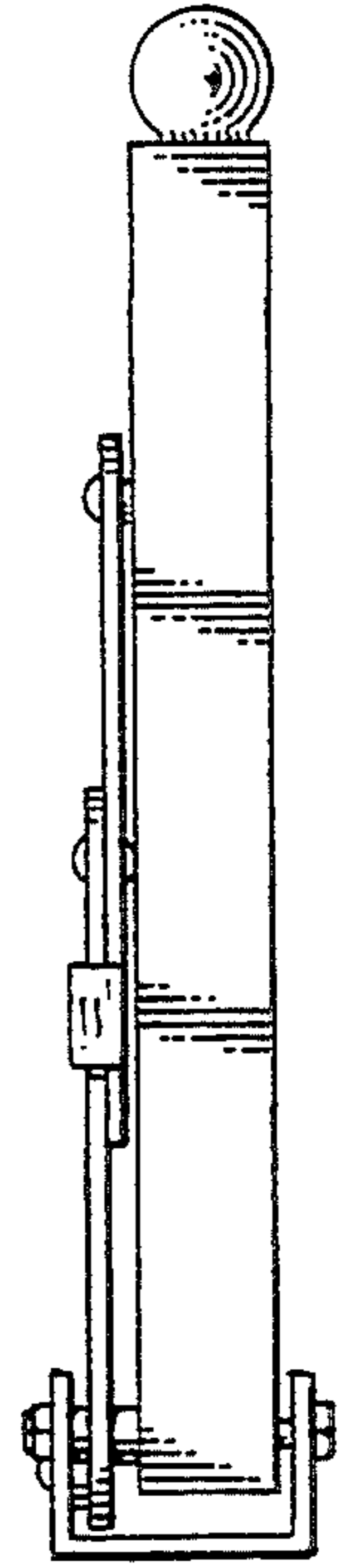


FIG. 3.

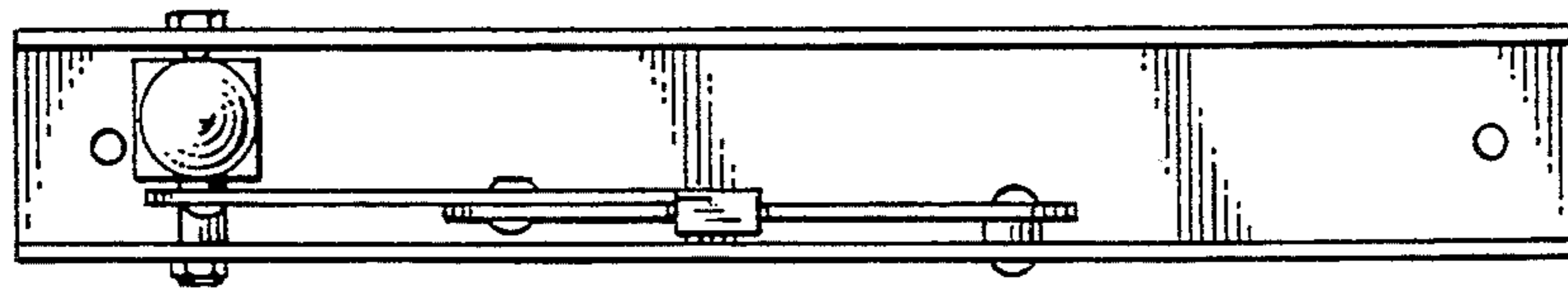


FIG. 2.

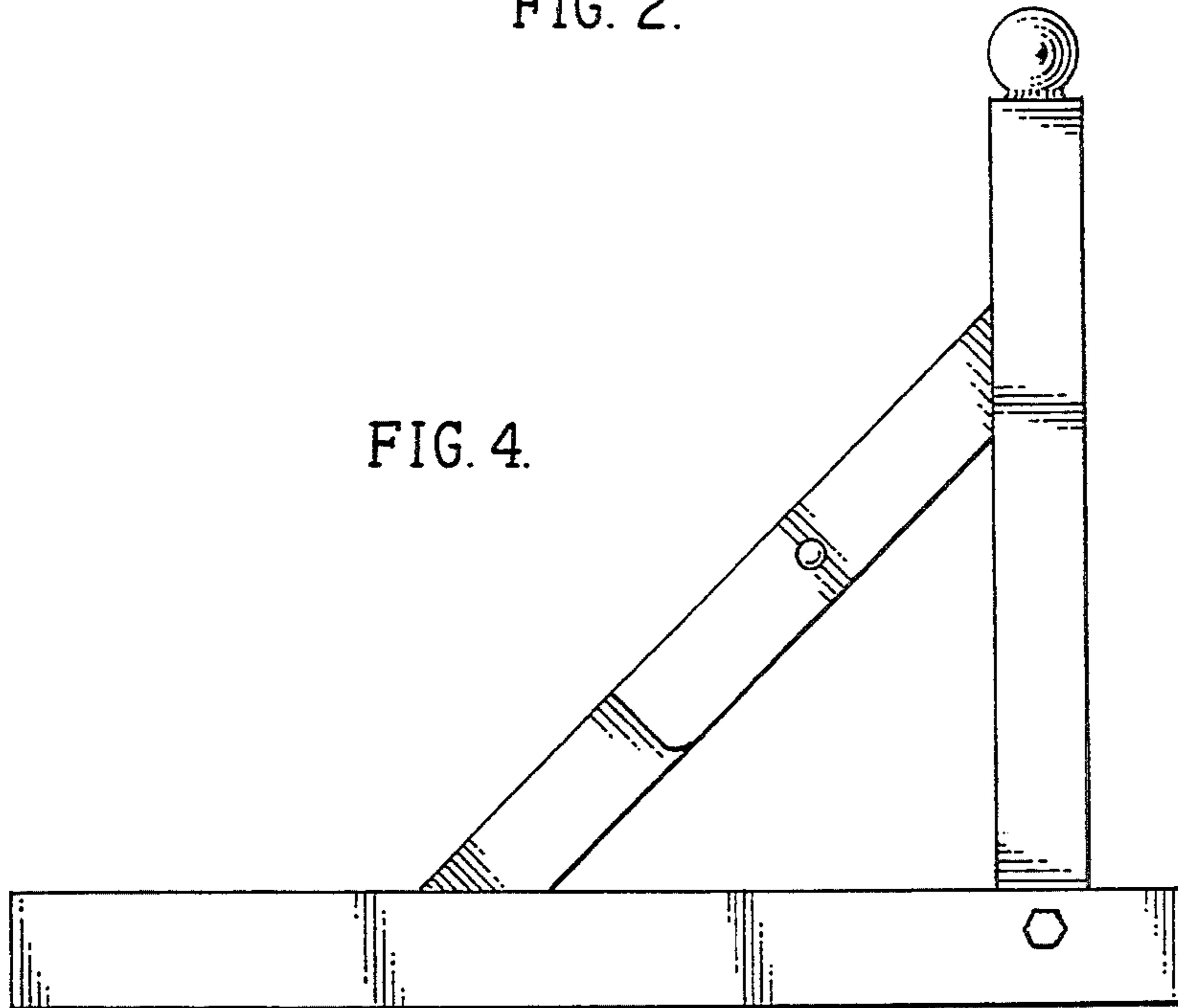


FIG. 4.

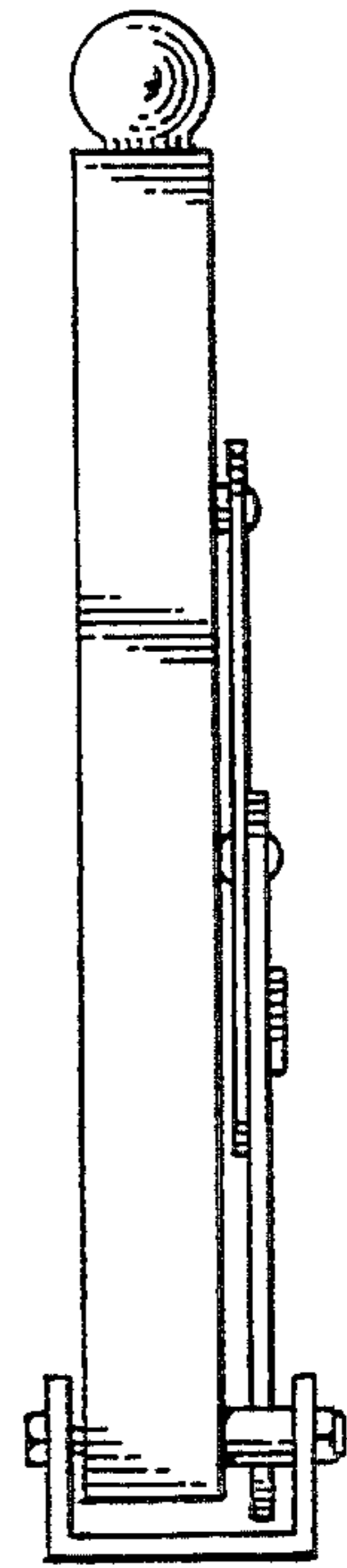


FIG. 5.