



US00D358696S

United States Patent [19]

[11] Patent Number: **Des. 358,696**

Mims

[45] Date of Patent: **** May 23, 1995**

[54] **VEHICLE-MOUNTED GAME ANIMAL SUPPORT**

Assistant Examiner—Robin V. Taylor
Attorney, Agent, or Firm—Veal & Marsh

[76] Inventor: **Dale P. Mims**, 112 S. Deerborn St.,
Mobile, Ala. 36602

[57] **CLAIM**

The ornamental design for the vehicle-mounted game animal support, design as shown and described.

[**] Term: **14 Years**

DESCRIPTION

[21] Appl. No.: **17,955**

[22] Filed: **Jan. 27, 1994**

[52] U.S. Cl. **D34/28**

[58] Field of Search D34/28, 33, 34, 35;
254/325, 266; 452/187, 189

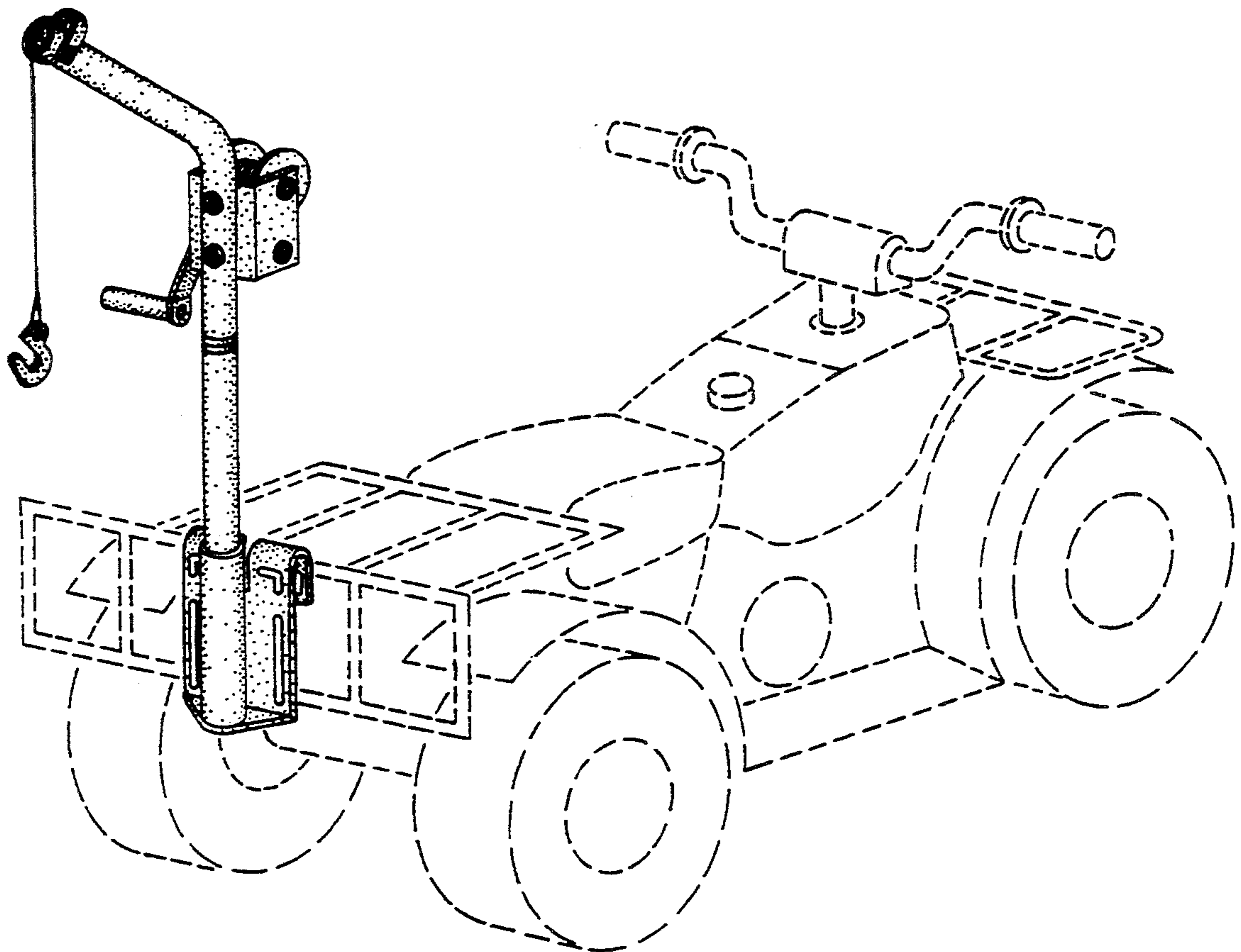
FIG. 1 is a front perspective view of a vehicle-mounted game animal support showing my new design;
FIG. 2 is a rear perspective view thereof;
FIG. 3 is a rear elevational view thereof;
FIG. 4 is front elevational view thereof;
FIG. 5 is a side elevational view as seen from the left side of FIG. 3;
FIG. 6 is a side elevational view as seen from the right side of FIG. 3;
FIG. 7 is a top plan view thereof;
FIG. 8 is a bottom view thereof; and,
FIG. 9 is a perspective view of the present invention mounted on a vehicle which is shown in broken lines forming no part of the claimed design.

[56] **References Cited**

U.S. PATENT DOCUMENTS

D. 268,448	3/1983	Callahan et al.	D34/33
D. 341,242	11/1993	Thorby	D34/28
4,338,703	7/1982	Tanner	254/325
4,806,063	2/1989	York	452/189
5,049,110	9/1991	Owens	452/189

Primary Examiner—Brian N. Vinson



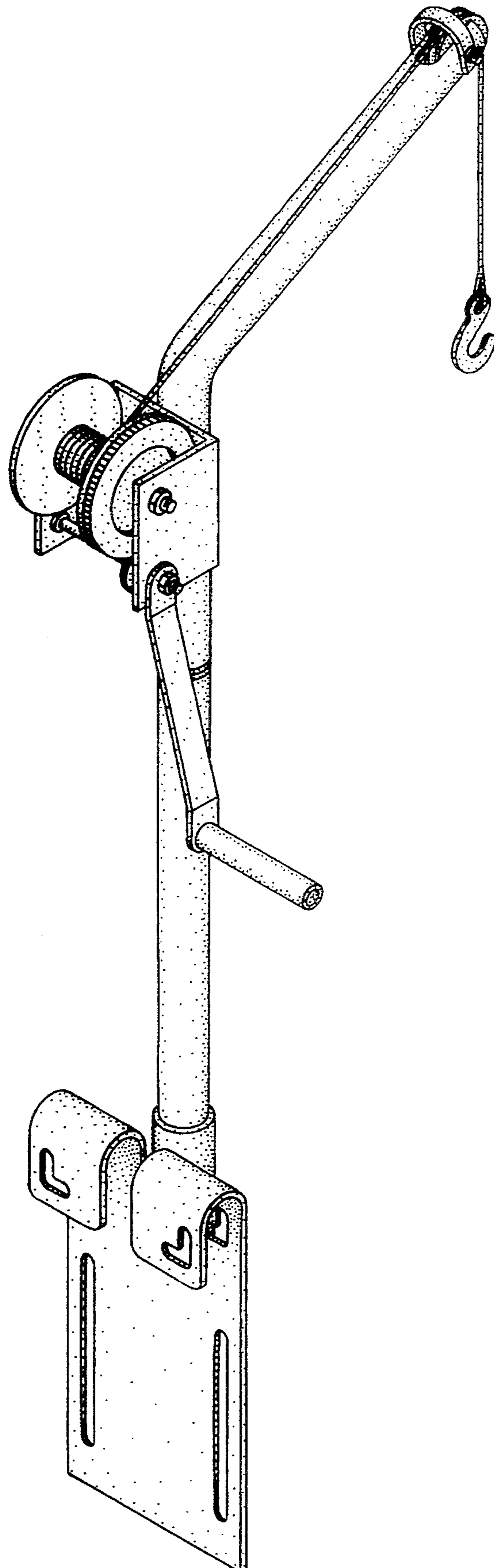


FIG 1

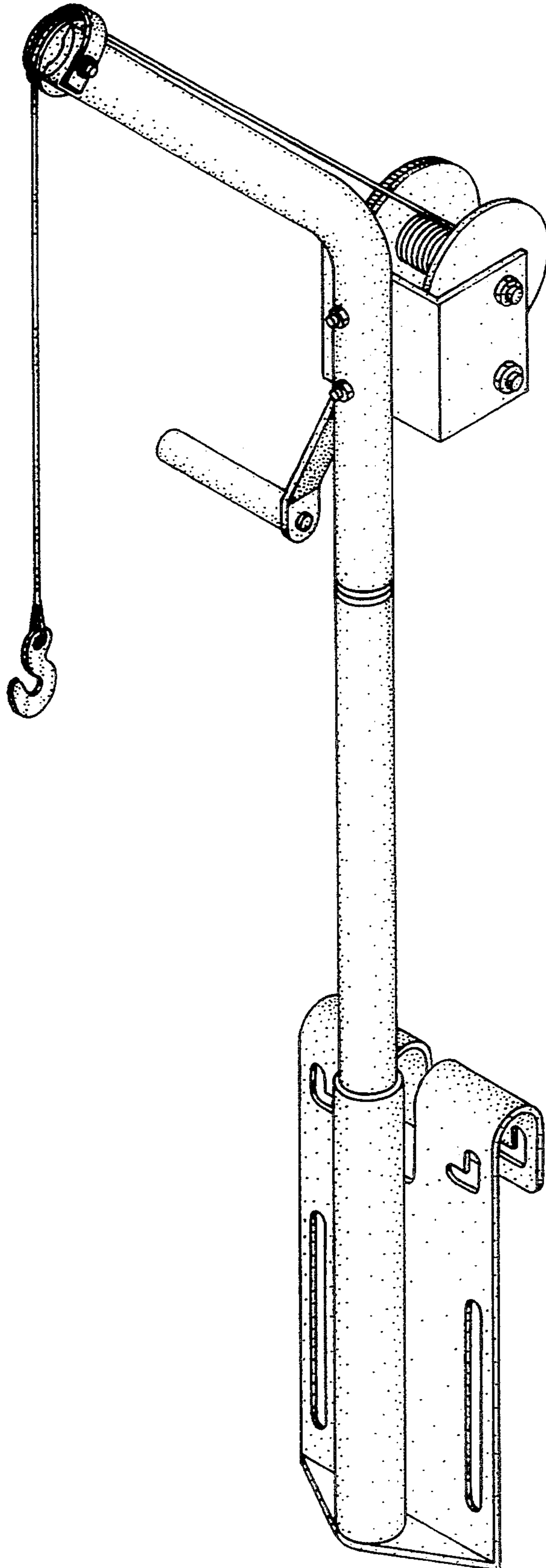


FIG. 2

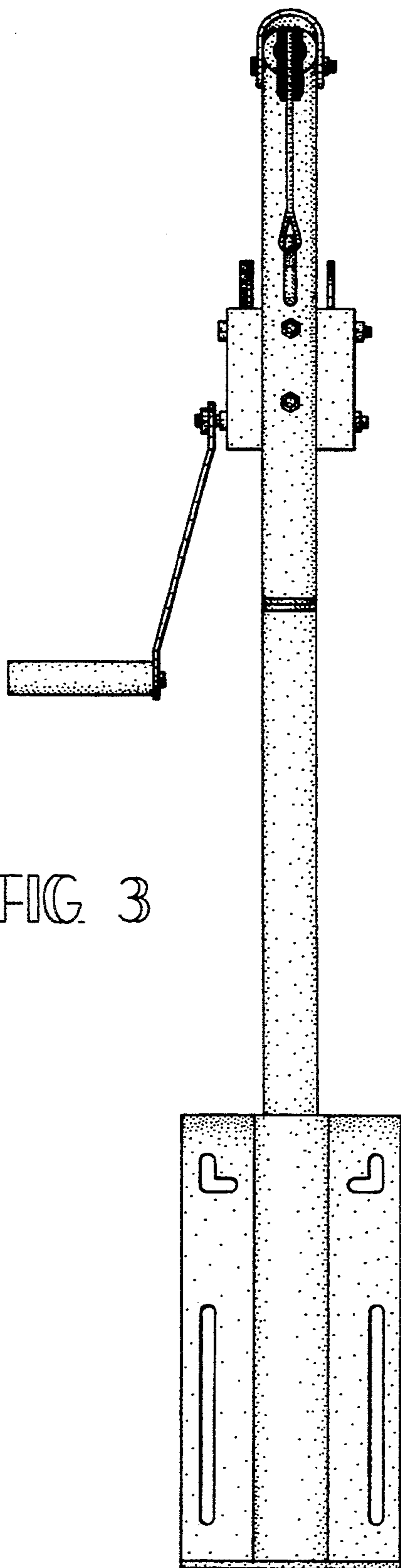


FIG. 3

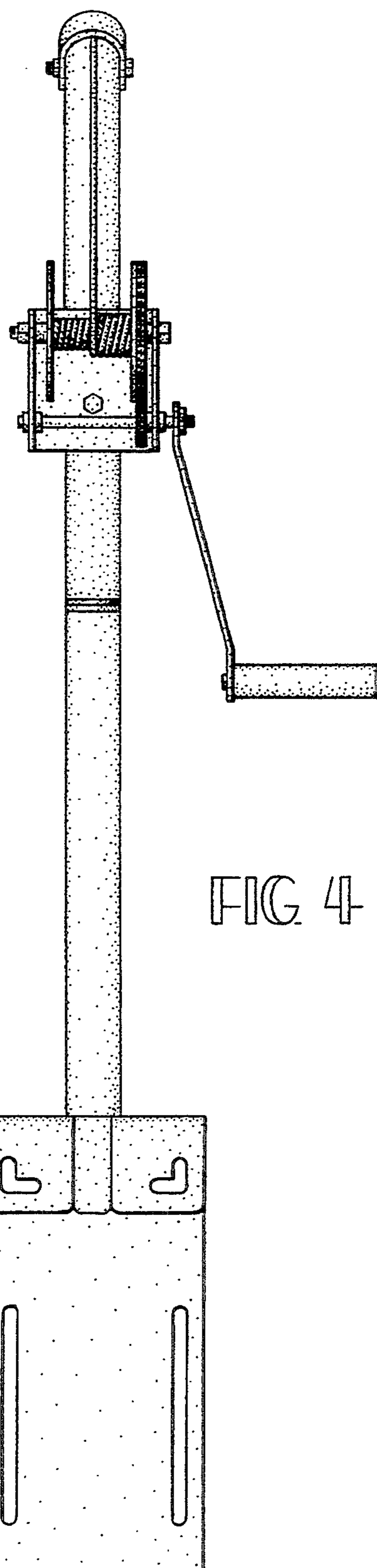


FIG. 4

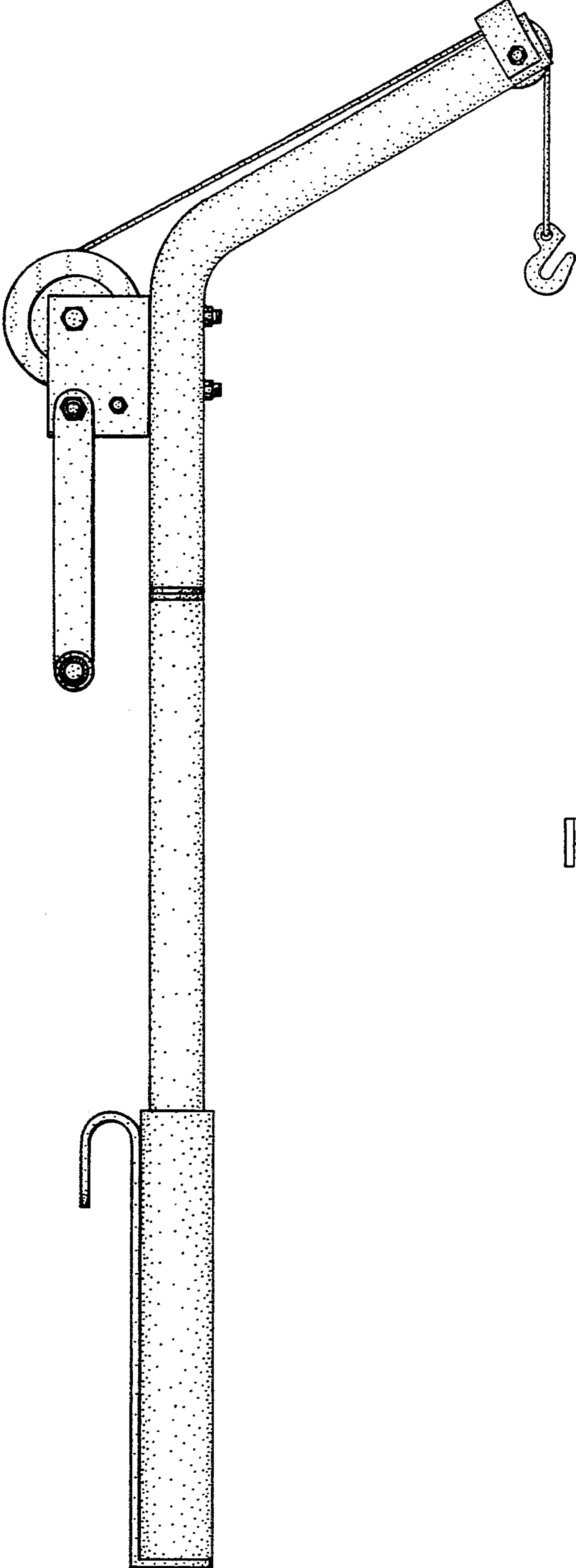


FIG 5

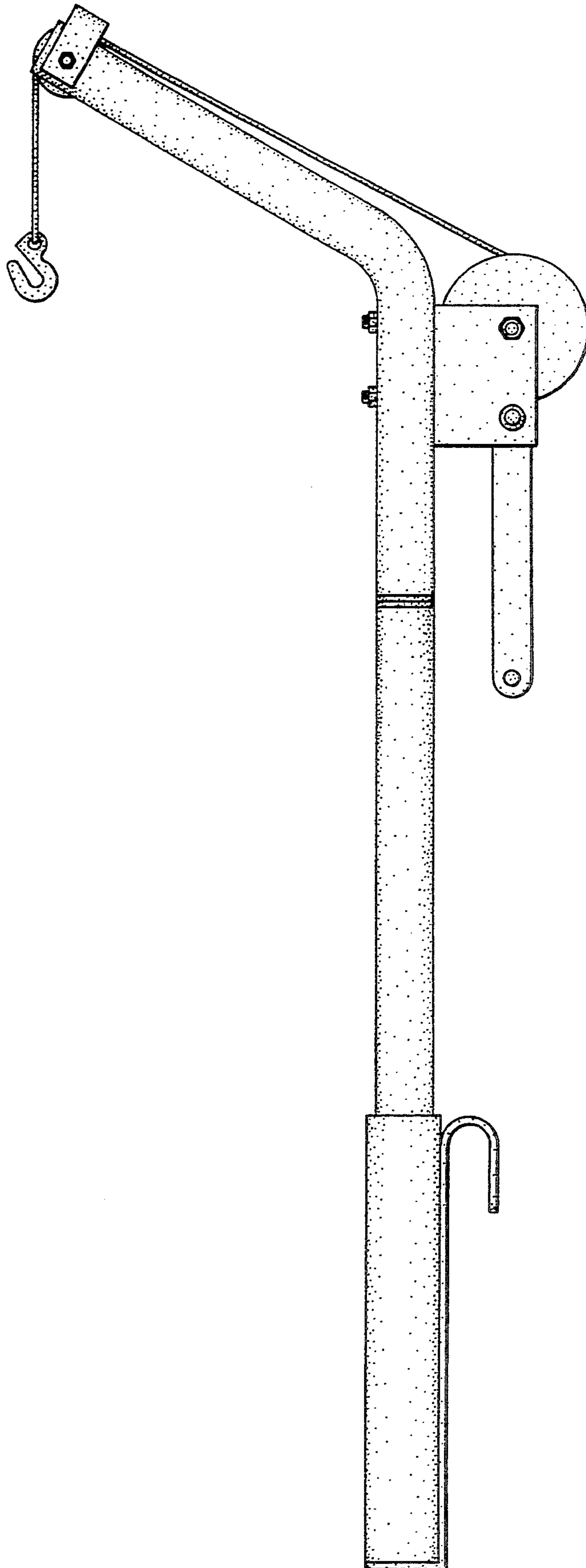


FIG. 6

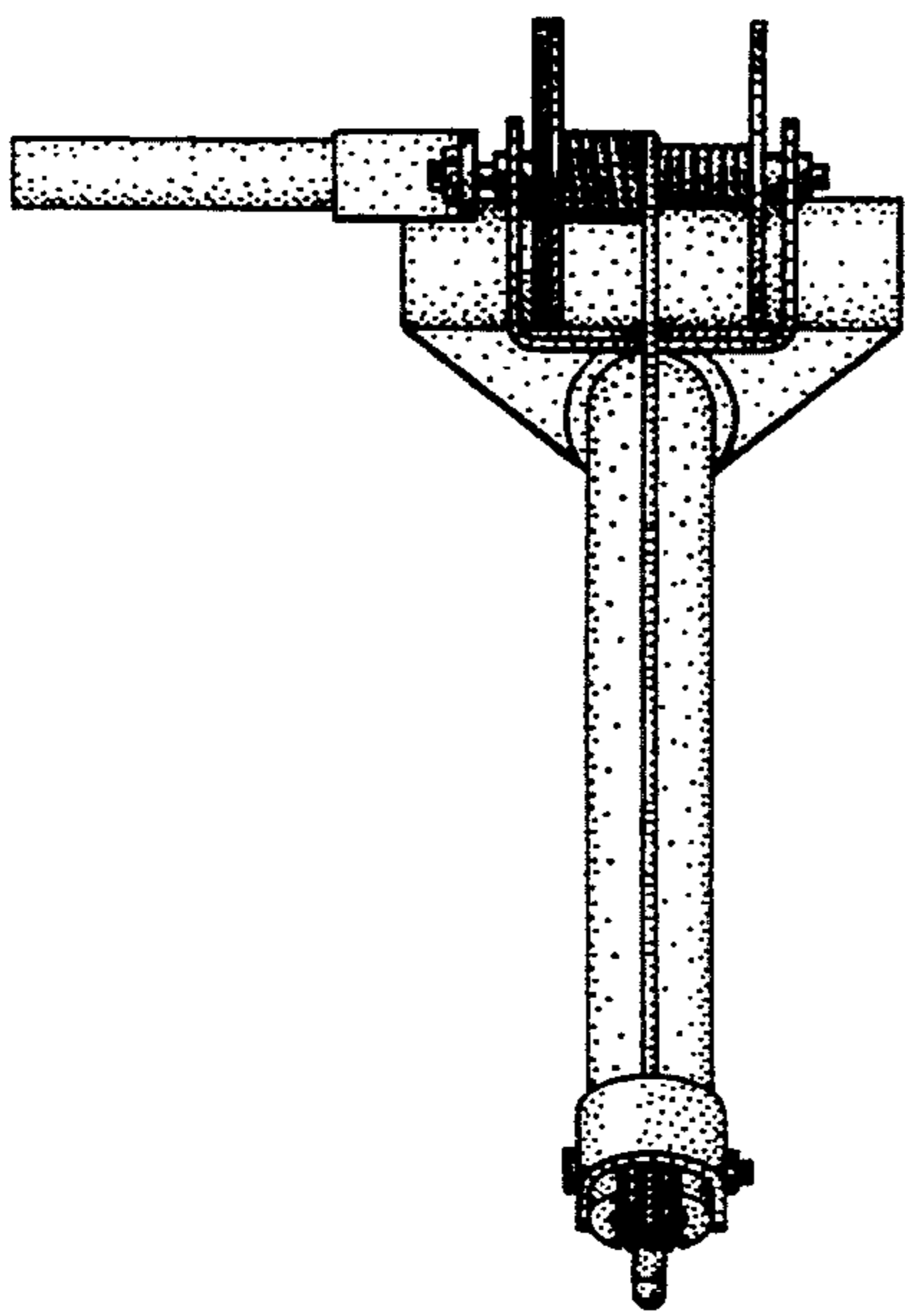


FIG. 7

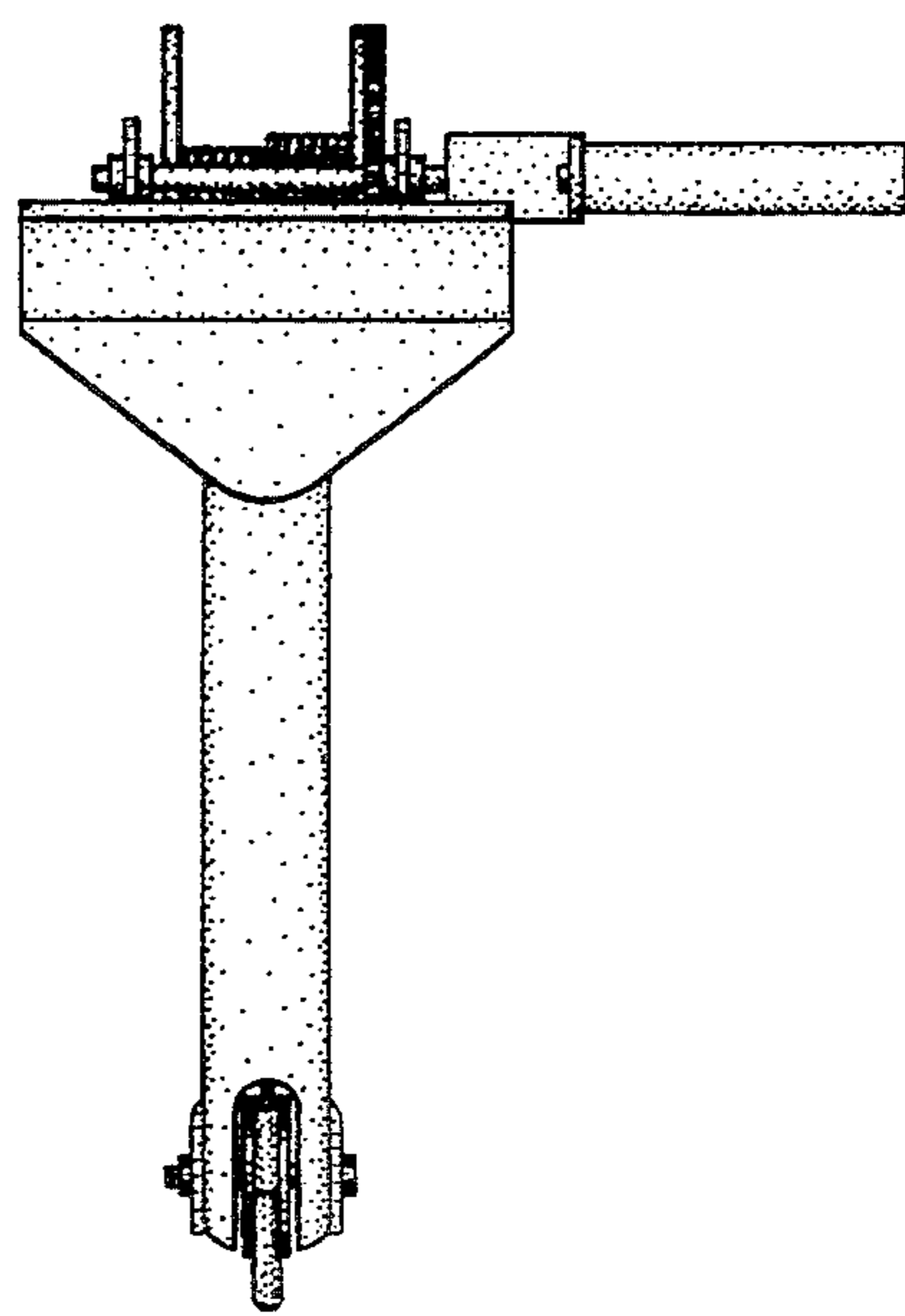


FIG. 8

FIG. 9

