



US00D358695S

United States Patent [19]

[11] Patent Number: **Des. 358,695**

Hudson et al.

[45] Date of Patent: **** May 23, 1995**

[54] **WHEELED TROLLEY FOR MULTIPLE BINS**

2025860 1/1980 United Kingdom 280/47.17

[76] Inventors: **Andrew S. Hudson; Kevin W. Allen,**
both of 1 Bradly Avenue, Kirribilli,
NSW 2061, Australia

Primary Examiner—Kay H. Chin
Attorney, Agent, or Firm—Davis, Bujold & Streck

[**] Term: **14 Years**

[57] **CLAIM**

[21] Appl. No.: **15,741**

The ornamental design for a wheeled trolley for multiple bins, as shown and described.

[22] Filed: **Nov. 26, 1993**

DESCRIPTION

[30] **Foreign Application Priority Data**

May 26, 1993 [AU] Australia 1558/93

[52] U.S. Cl. **D34/26; D34/5**

[58] Field of Search **D34/12, 24, 25, 26,**
D34/17, 19, 20, 21, 22; 280/47.17, 655, 79.11,
79.2, 79.3, 652; D34/5, 6

FIG. 1 is a perspective view of a wheeled trolley for multiple bins embodying my/our new design;
FIG. 2 is a right side view of a wheeled trolley for multiple bins of FIG. 1, the left side being a mirror image thereof;
FIG. 3 is a top view of a wheeled trolley for multiple bins of FIG. 1;
FIG. 4 is a front view of a wheeled trolley for multiple bins of FIG. 1;
FIG. 5 is a rear view of a wheeled trolley for multiple bins of FIG. 1;
FIG. 6 is a top view without lid of a wheeled trolley for multiple bins of FIG. 1; and,
FIG. 7 is a bottom view of a wheeled trolley for multiple bins of FIG. 1.

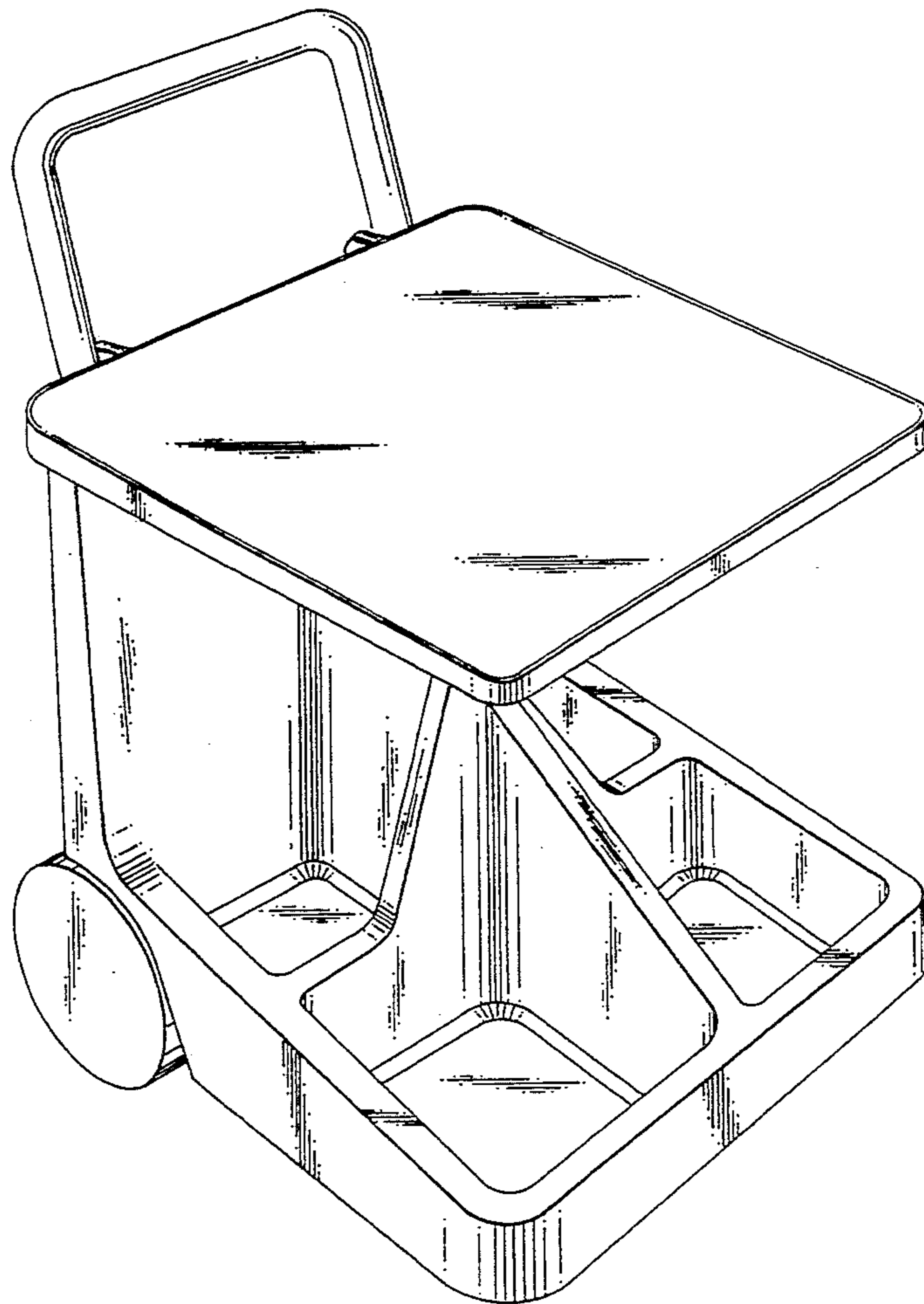
[56] **References Cited**

U.S. PATENT DOCUMENTS

D. 160,659 10/1950 Reece D34/24
D. 330,103 10/1992 Andrews, Jr. et al. D34/5

FOREIGN PATENT DOCUMENTS

125337 11/1984 European Pat. Off. 280/655



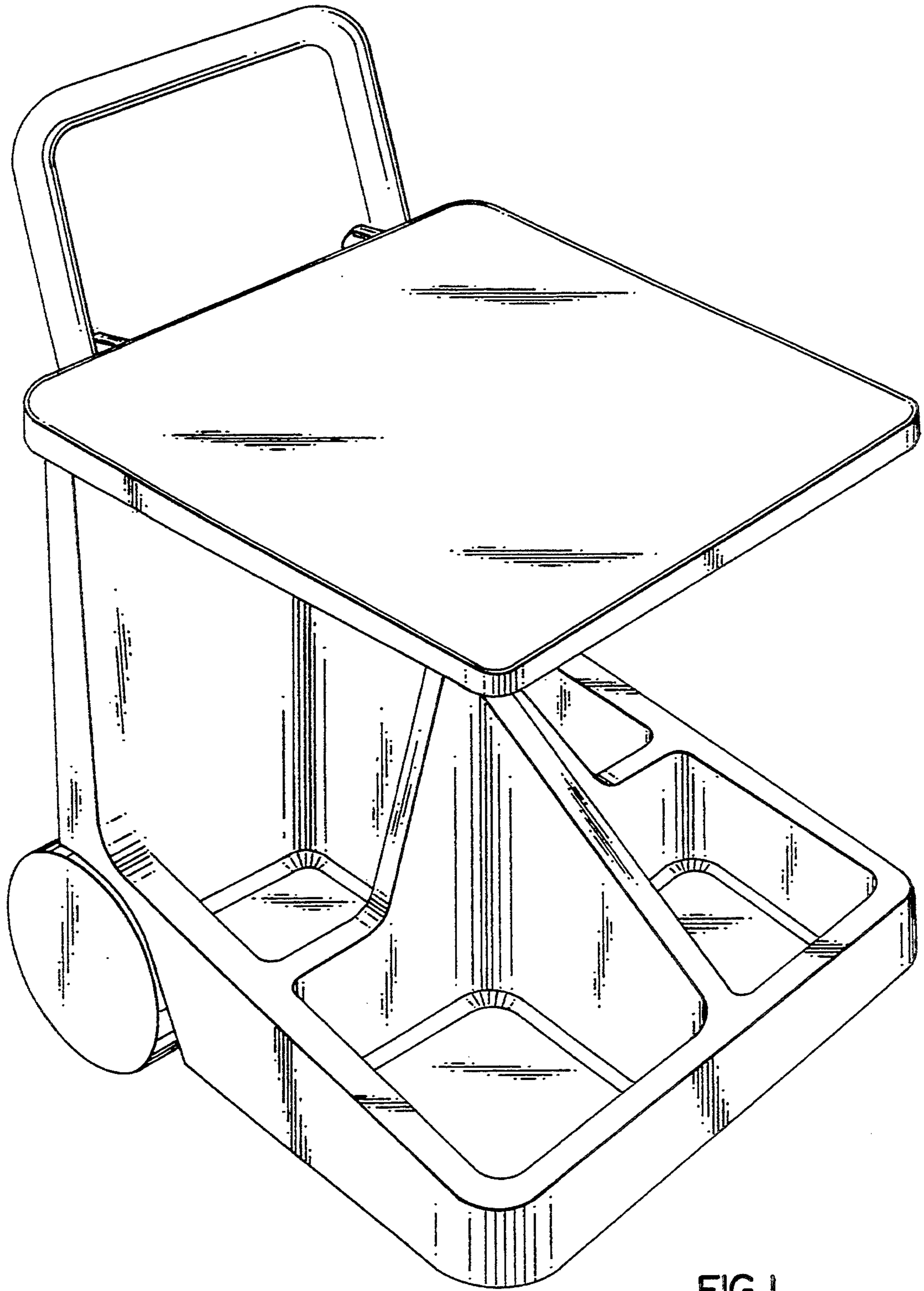


FIG. 1

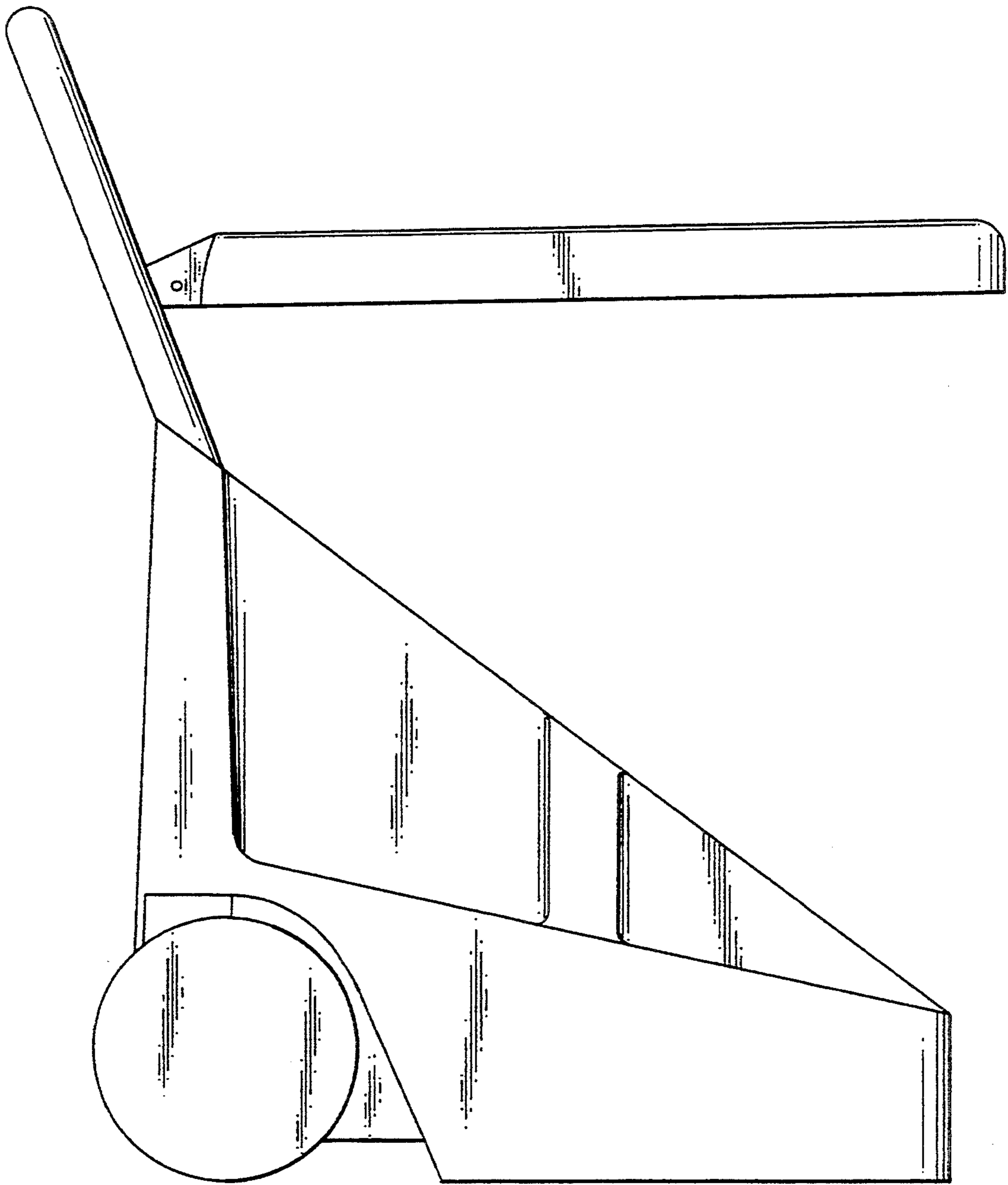


FIG.2

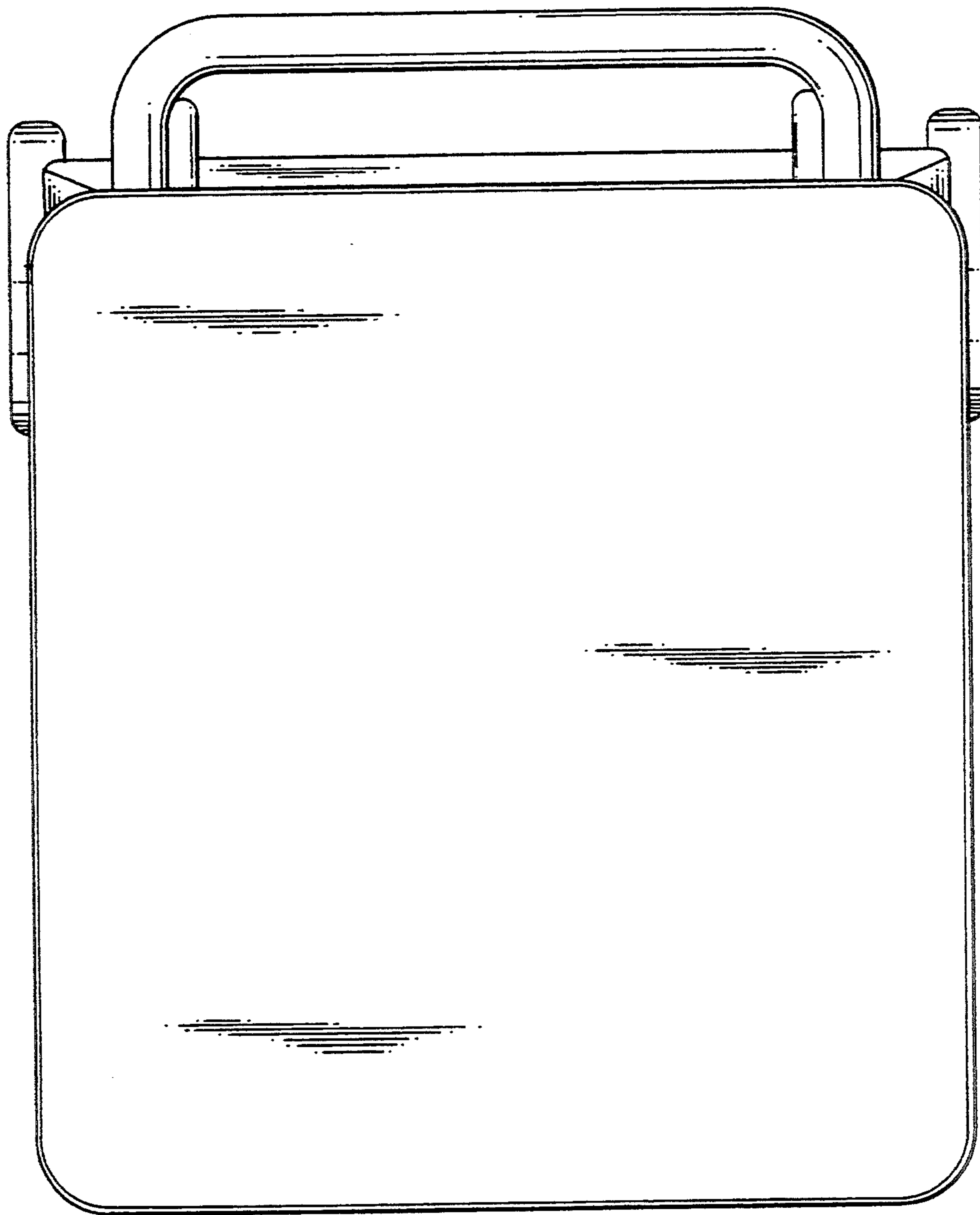


FIG.3

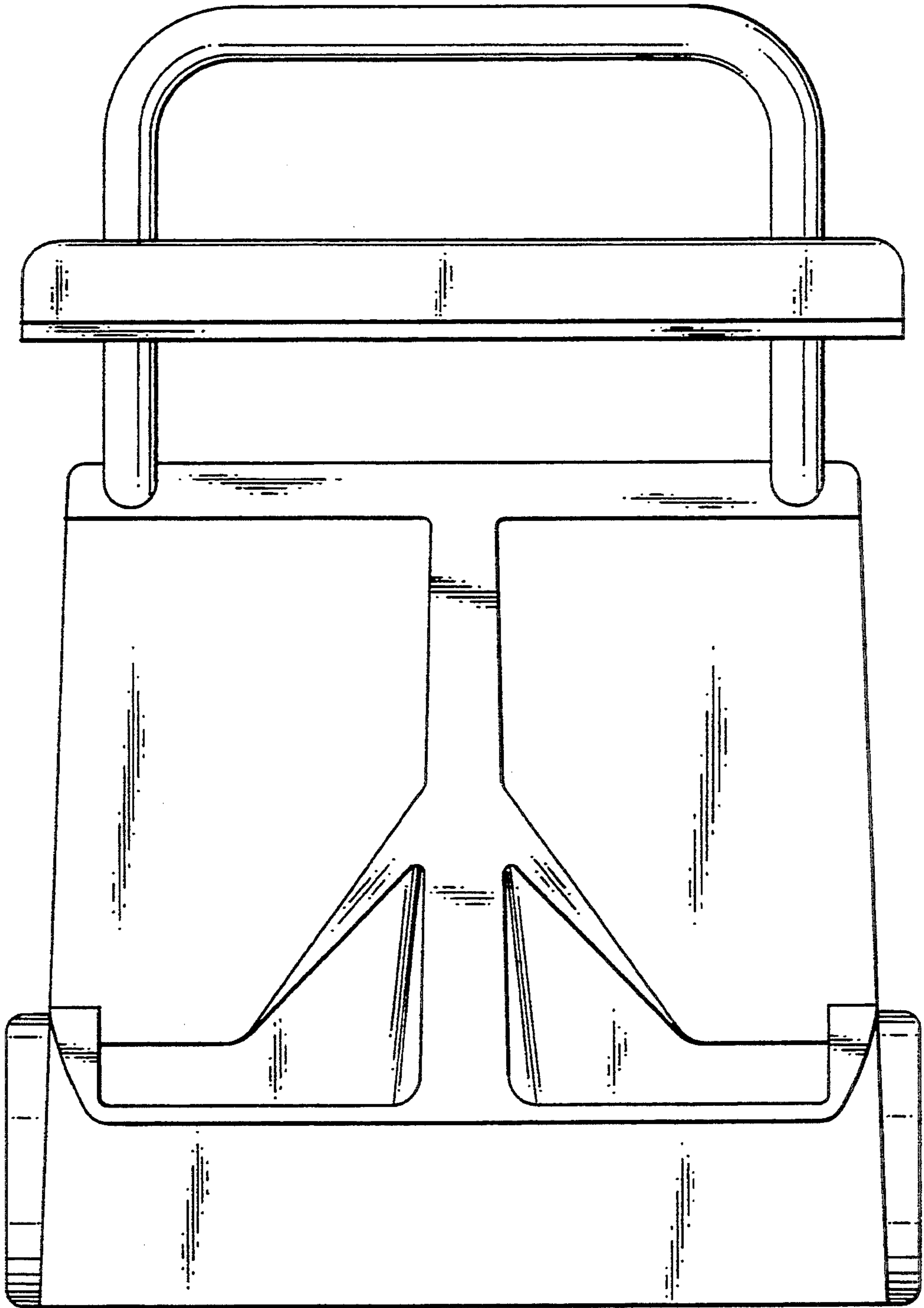


FIG. 4

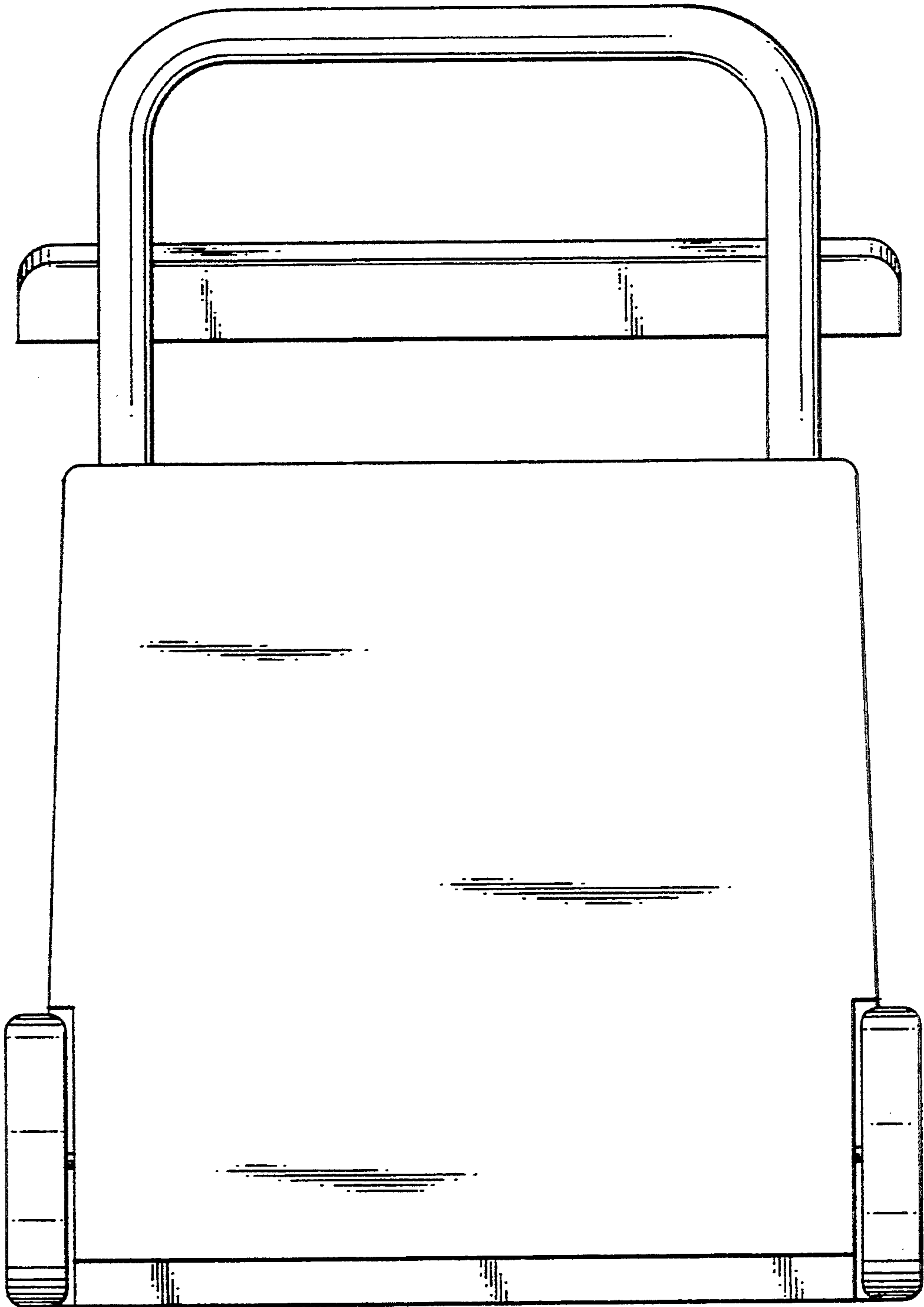


FIG. 5

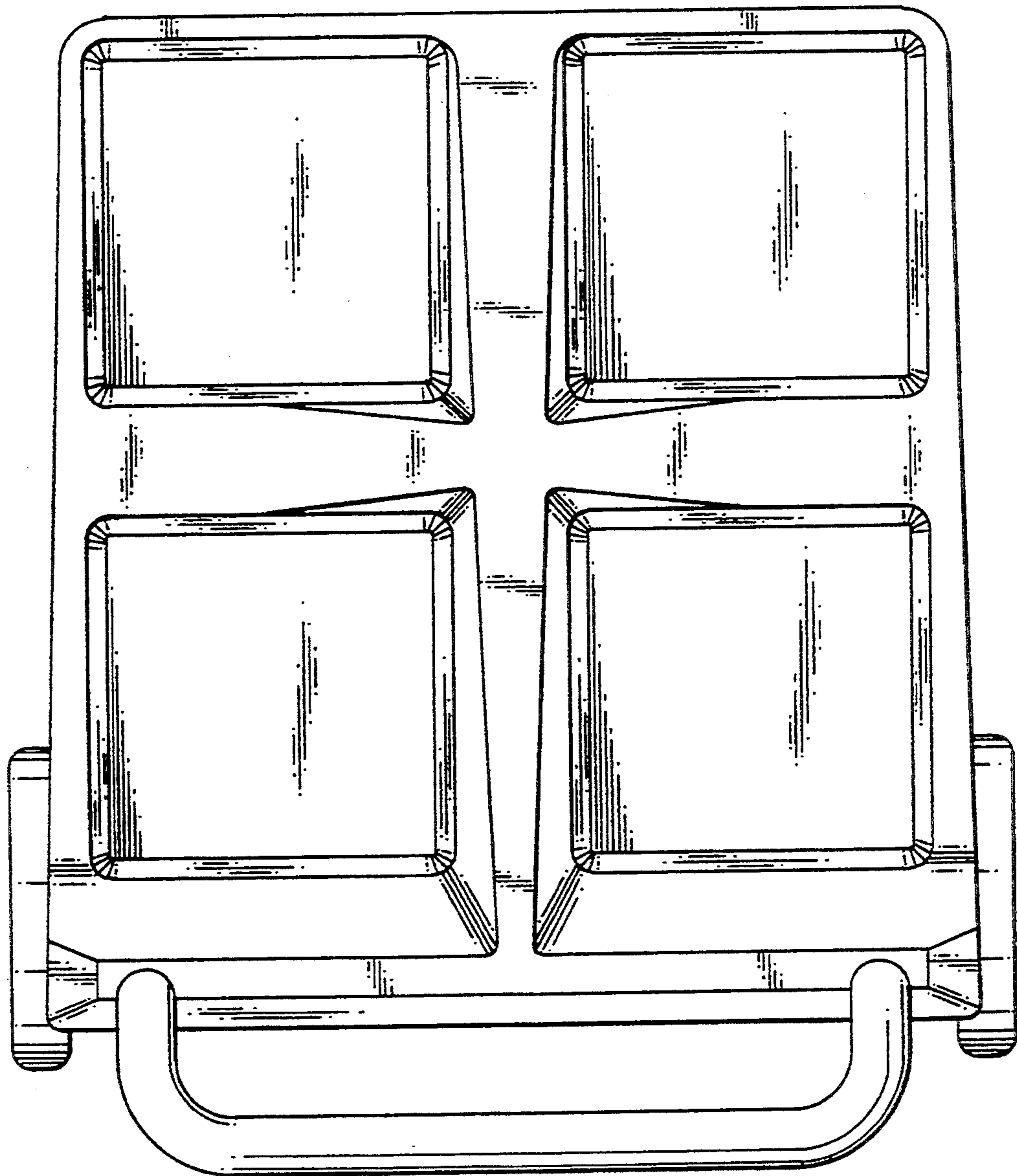


FIG.6

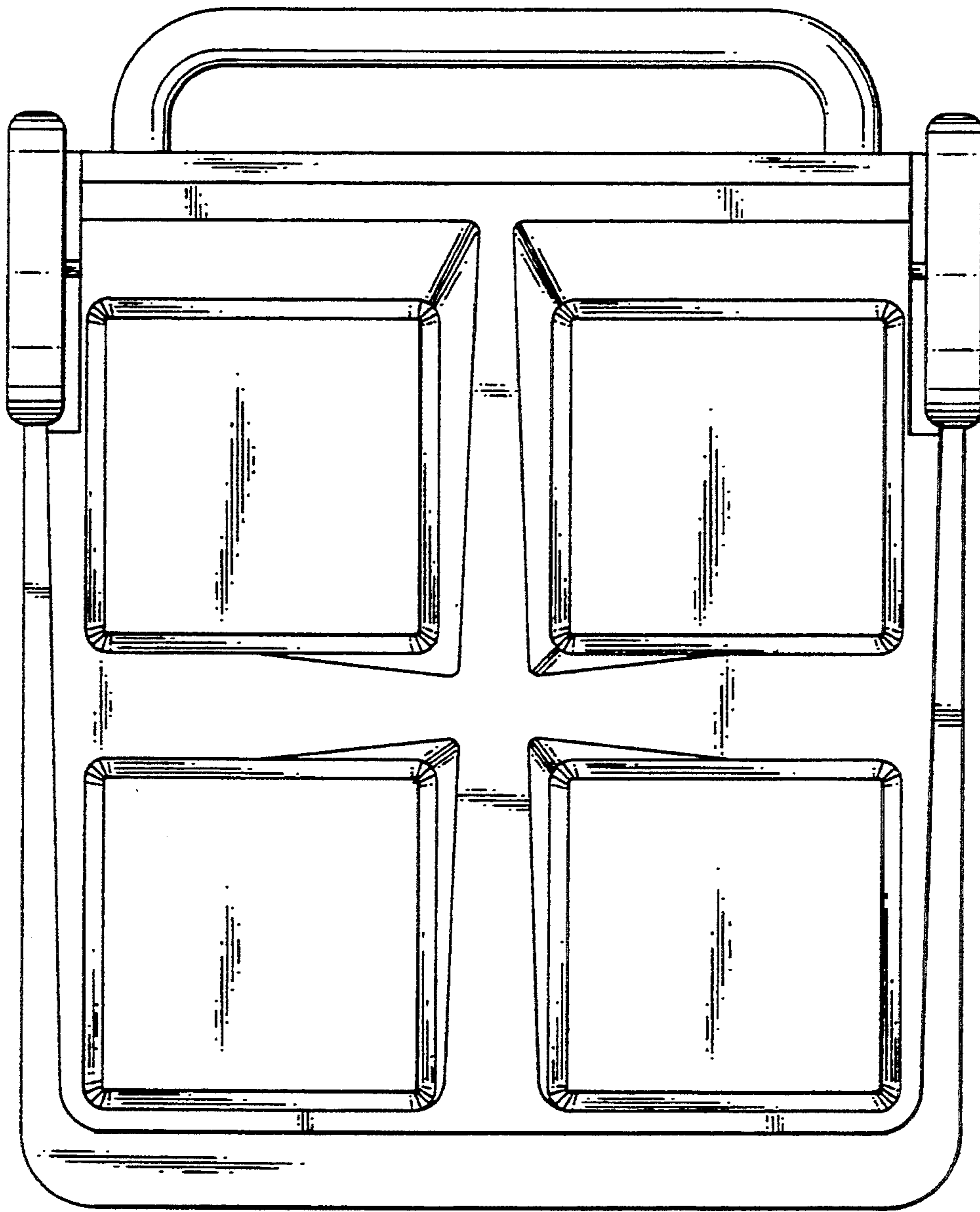


FIG.7