



US00D358694S

United States Patent [19]

[11] Patent Number: **Des. 358,694**

Roman

[45] Date of Patent: **** May 23, 1995**

[54] **CART FOR COLLECTION AND TRANSPORTATION OF REFUSE IN GENERAL, ESPECIALLY FOR GARDENING**

[75] Inventor: **Gianfranco Roman, Pasiano, Italy**

[73] Assignee: **Claber S.p.A., Italy**

[**] Term: **14 Years**

[21] Appl. No.: **15,346**

[22] Filed: **Nov. 15, 1993**

[30] **Foreign Application Priority Data**

May 25, 1993 [IT] Italy MI930 000302

[52] U.S. Cl. **D34/24; D34/5; D34/26**

[58] Field of Search **D34/24, 25, 26, 12, D34/5, 6; 280/641, 651; 248/97, 98; 220/908**

[56] **References Cited**

U.S. PATENT DOCUMENTS

D. 330,103	10/1992	Andrews, Jr. et al.	D34/26
5,209,517	5/1993	Shagoury	248/98
5,232,274	8/1993	Johan et al.	248/98
5,251,925	10/1993	Haley, Sr.	248/98

Primary Examiner—Kay H. Chin

Attorney, Agent, or Firm—Nixon & Vanderhye

[57] **CLAIM**

The ornamental design for cart for collection and transportation of refuse in general, especially for gardening, as shown and described.

DESCRIPTION

FIG. 1 shows, in right-hand lateral view my new cart with closed cover;

FIG. 2 shows, in right-hand lateral view my new cart with open cover;

FIG. 3 shows the cart of FIG. 1 in left-hand lateral view;

FIG. 4 shows the cart of FIG. 2 in left-hand lateral view;

FIG. 5 shows the cart of FIG. 1 in frontal view;

FIG. 6 shows the cart of FIG. 2 in frontal view;

FIG. 7 shows the cart of FIG. 1 in rear view;

FIG. 8 shows the cart of FIG. 2 in rear view;

FIG. 9 shows the cart of FIG. 1 in top plan view;

FIG. 10 shows the cart of FIG. 2 in top plan view;

FIG. 11 shows the cart of FIG. 1 in bottom plan view; and,

FIG. 12 shows the cart of FIG. 2 in bottom plan view. Portions of the tubular leg members in FIGS. 1 through 8 are shown broken away for convenience on illustration.

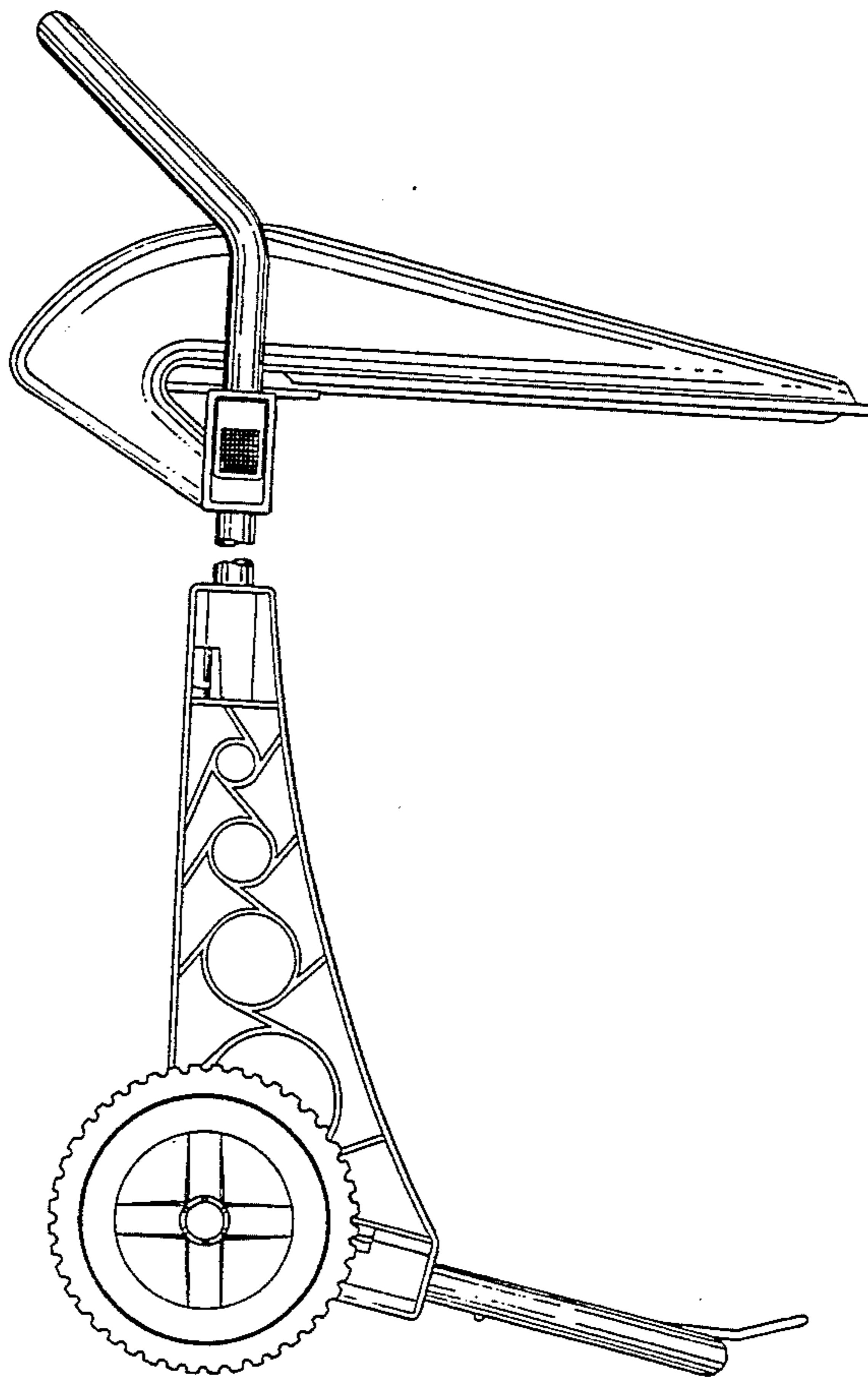
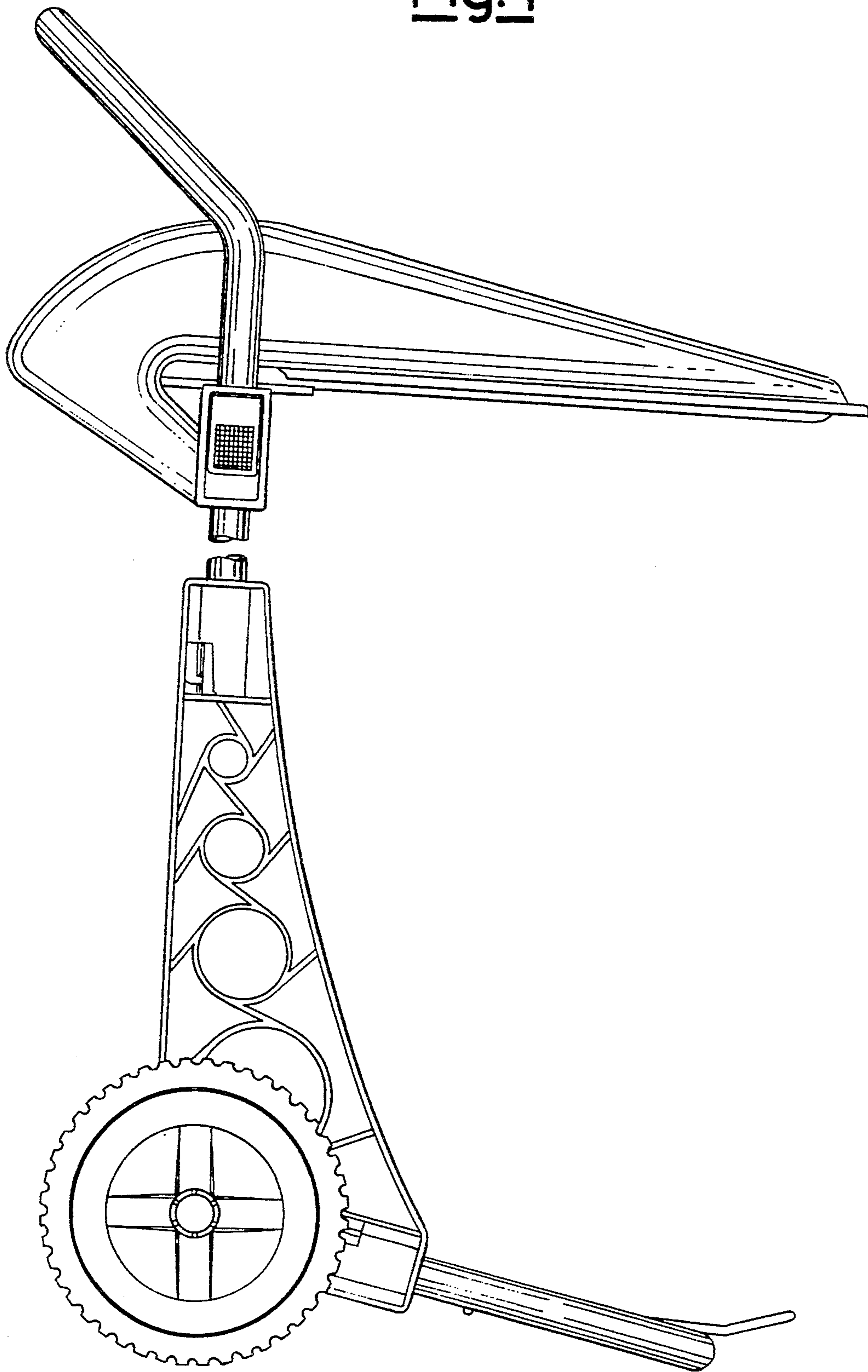


Fig. 1



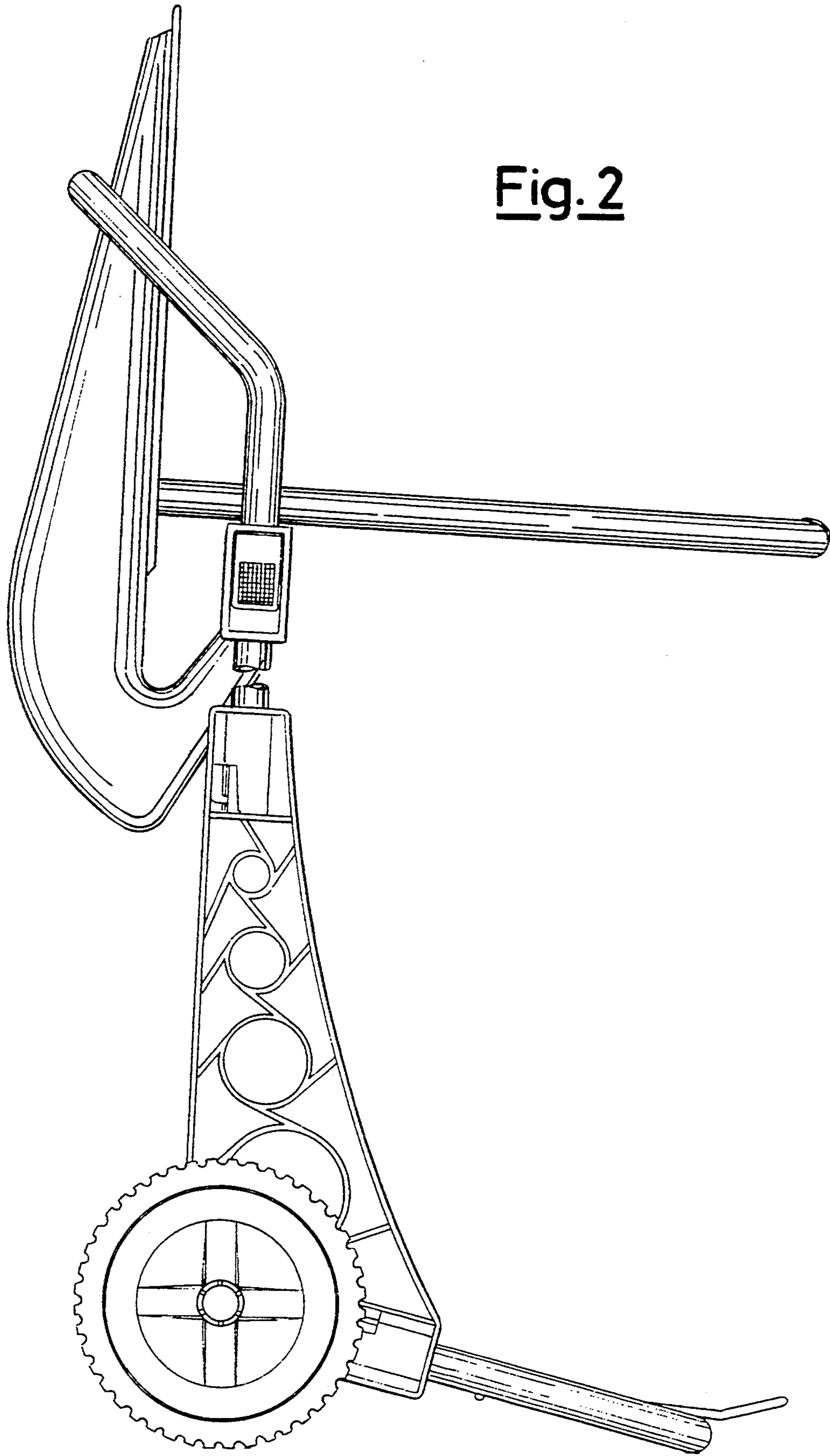


Fig. 2

Fig. 3

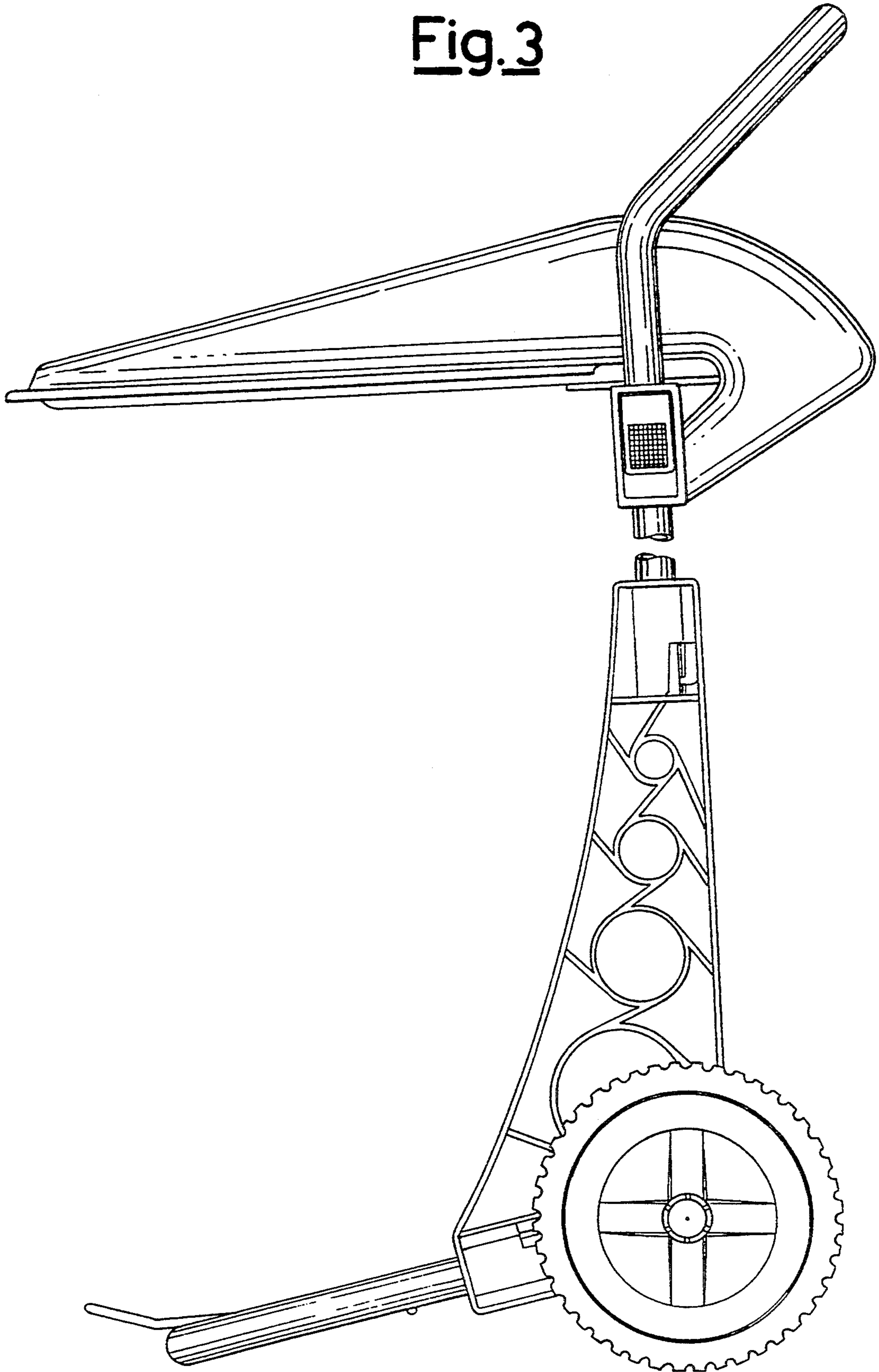


Fig.4

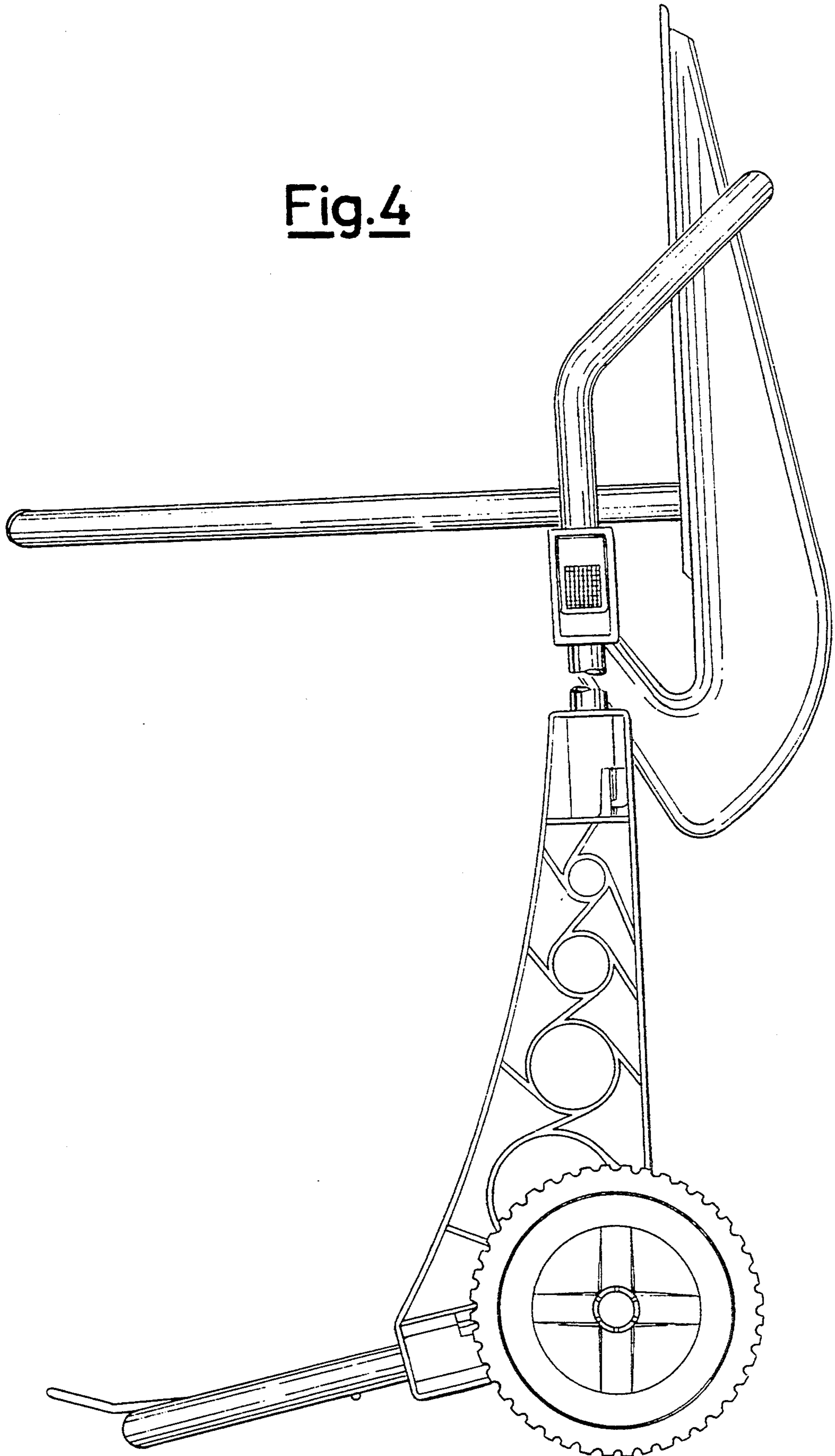
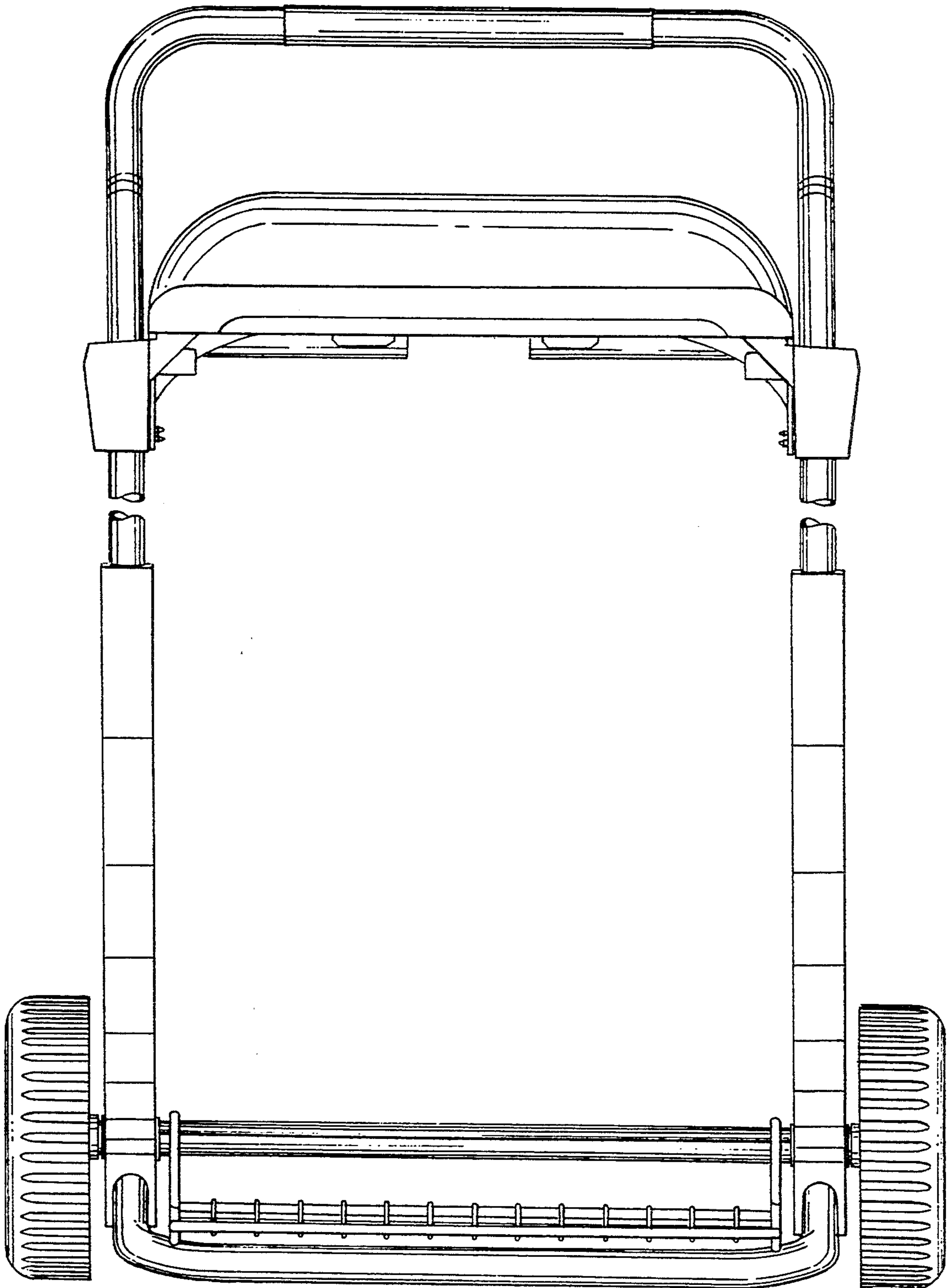


Fig. 5



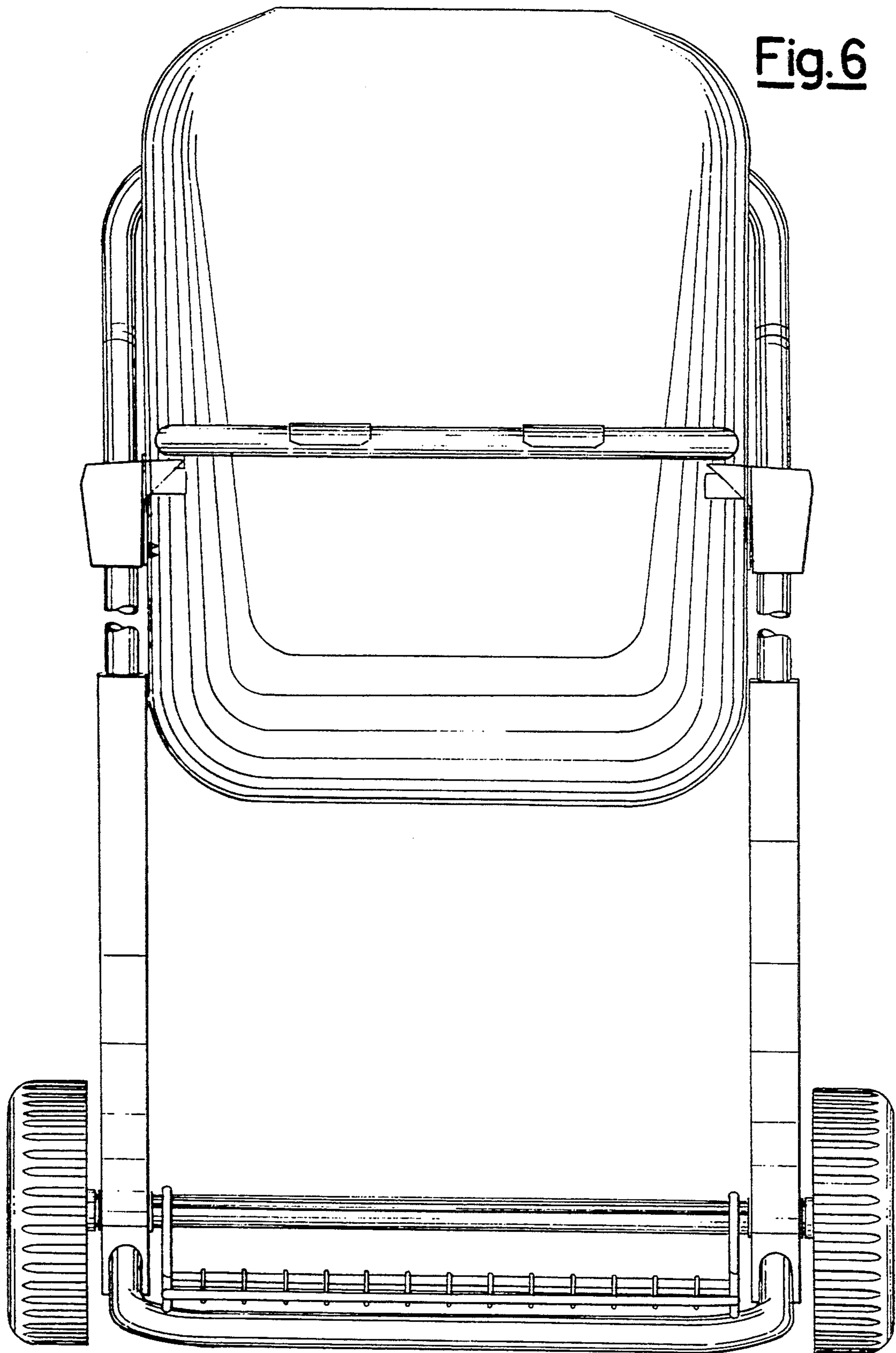
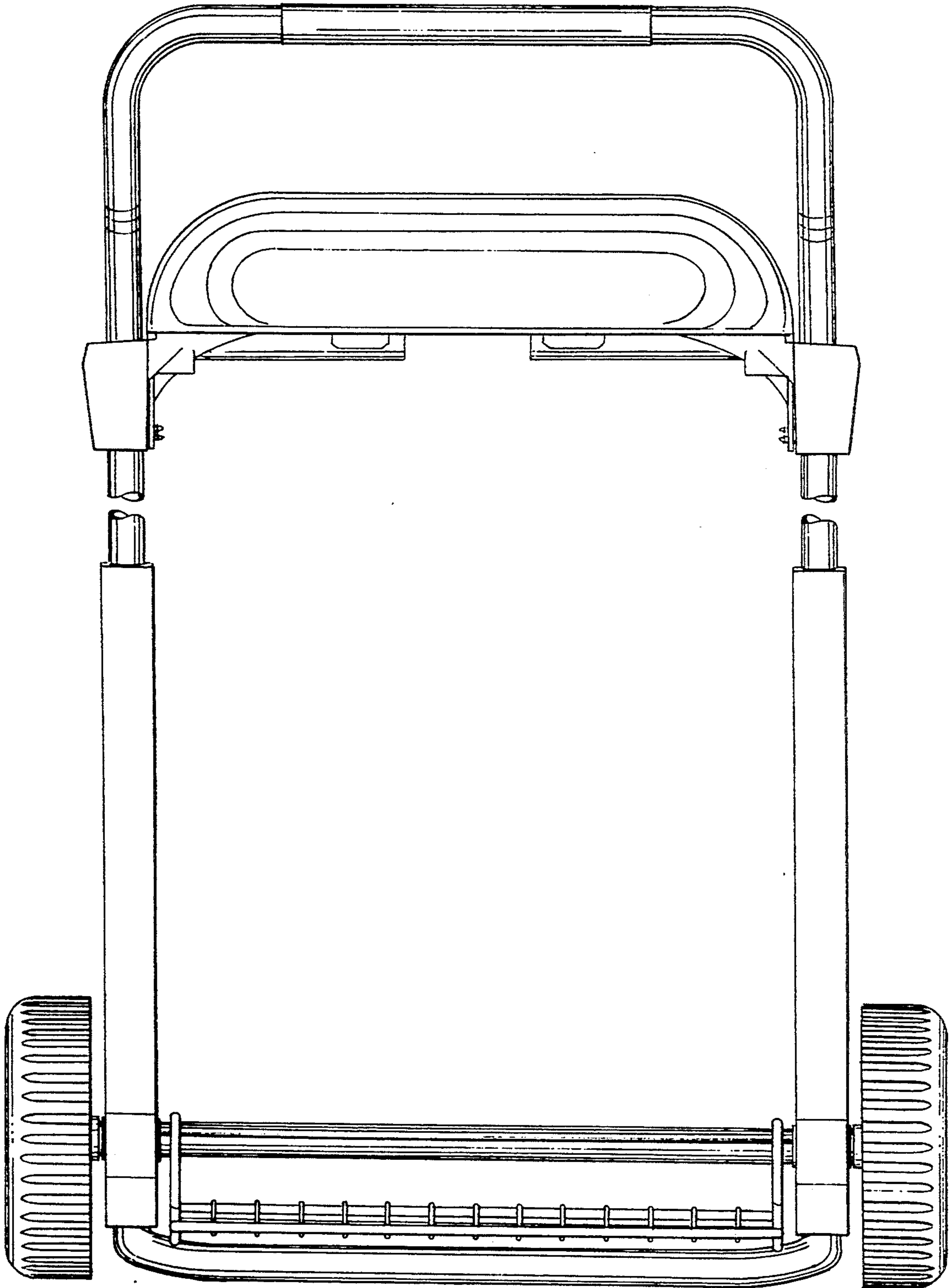


Fig. 7



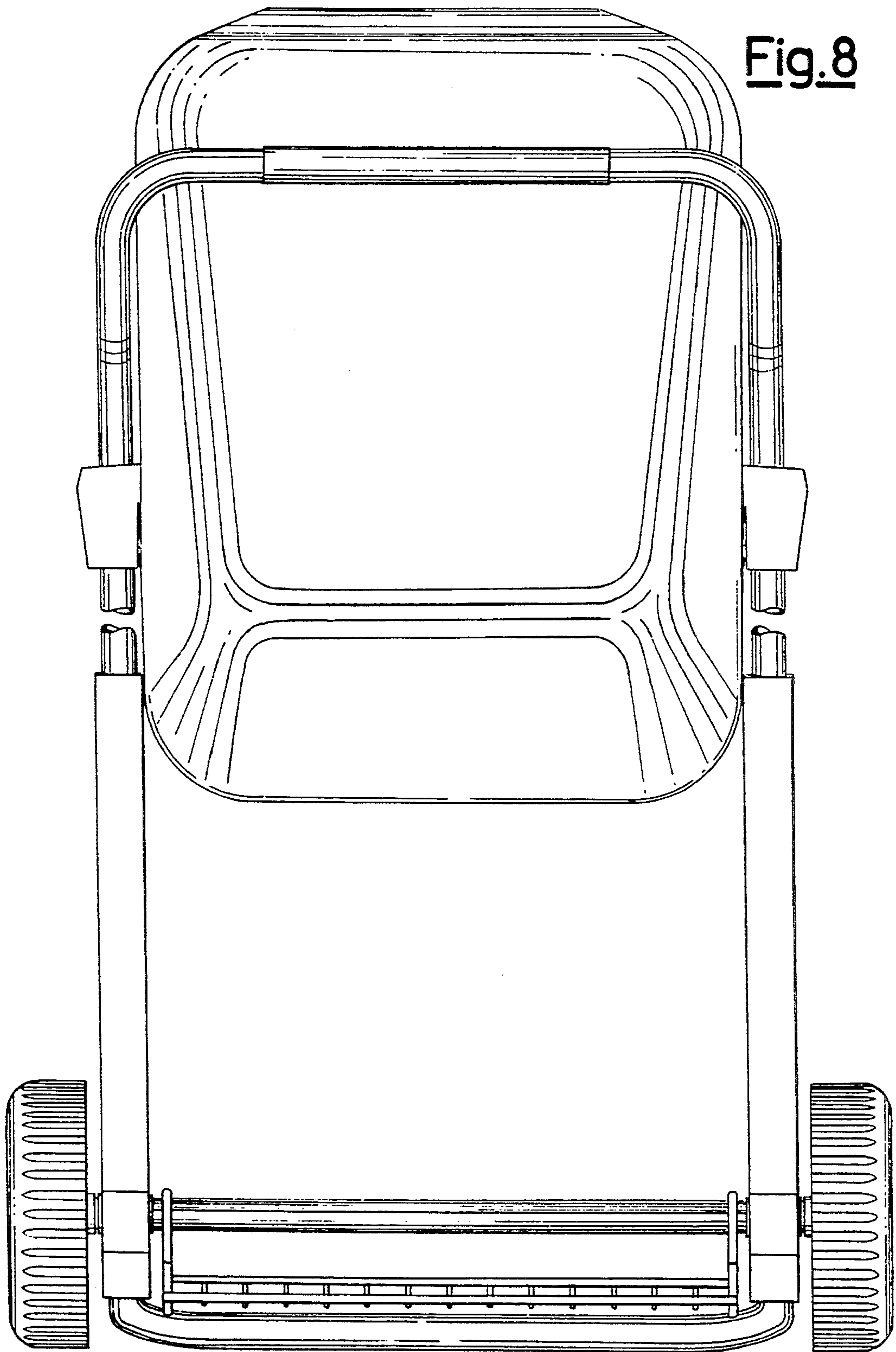


Fig. 9

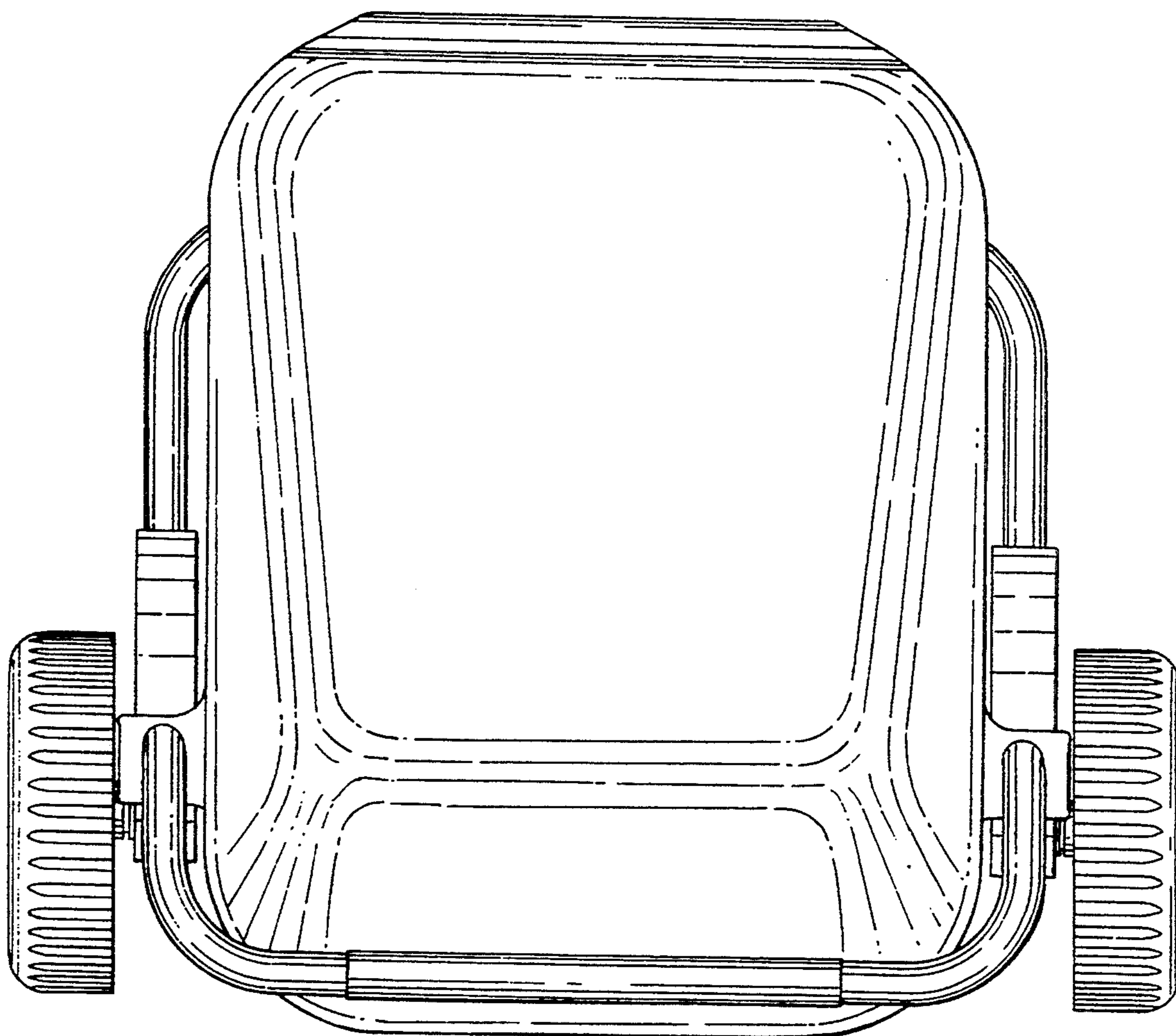


Fig.10

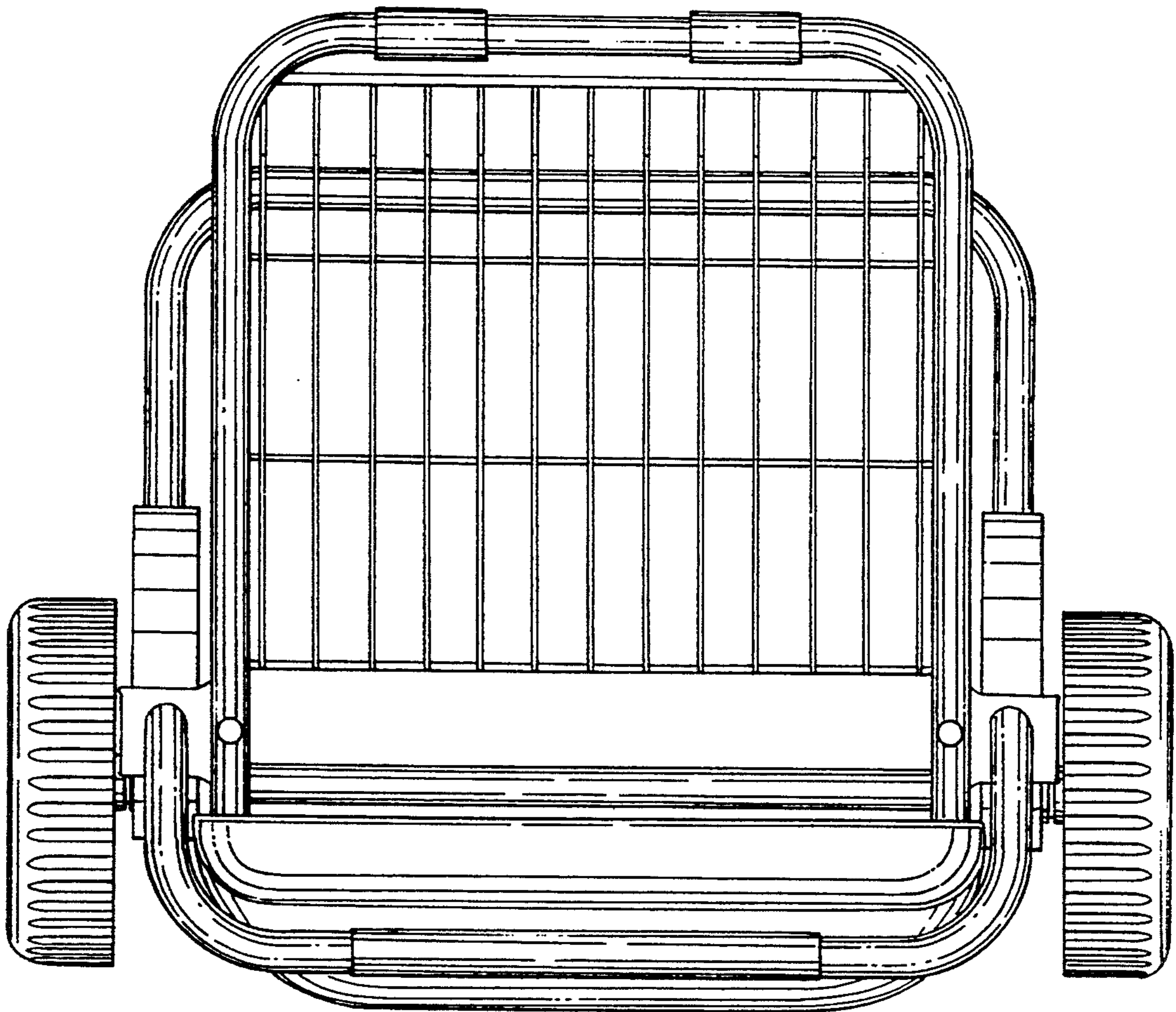


Fig.11

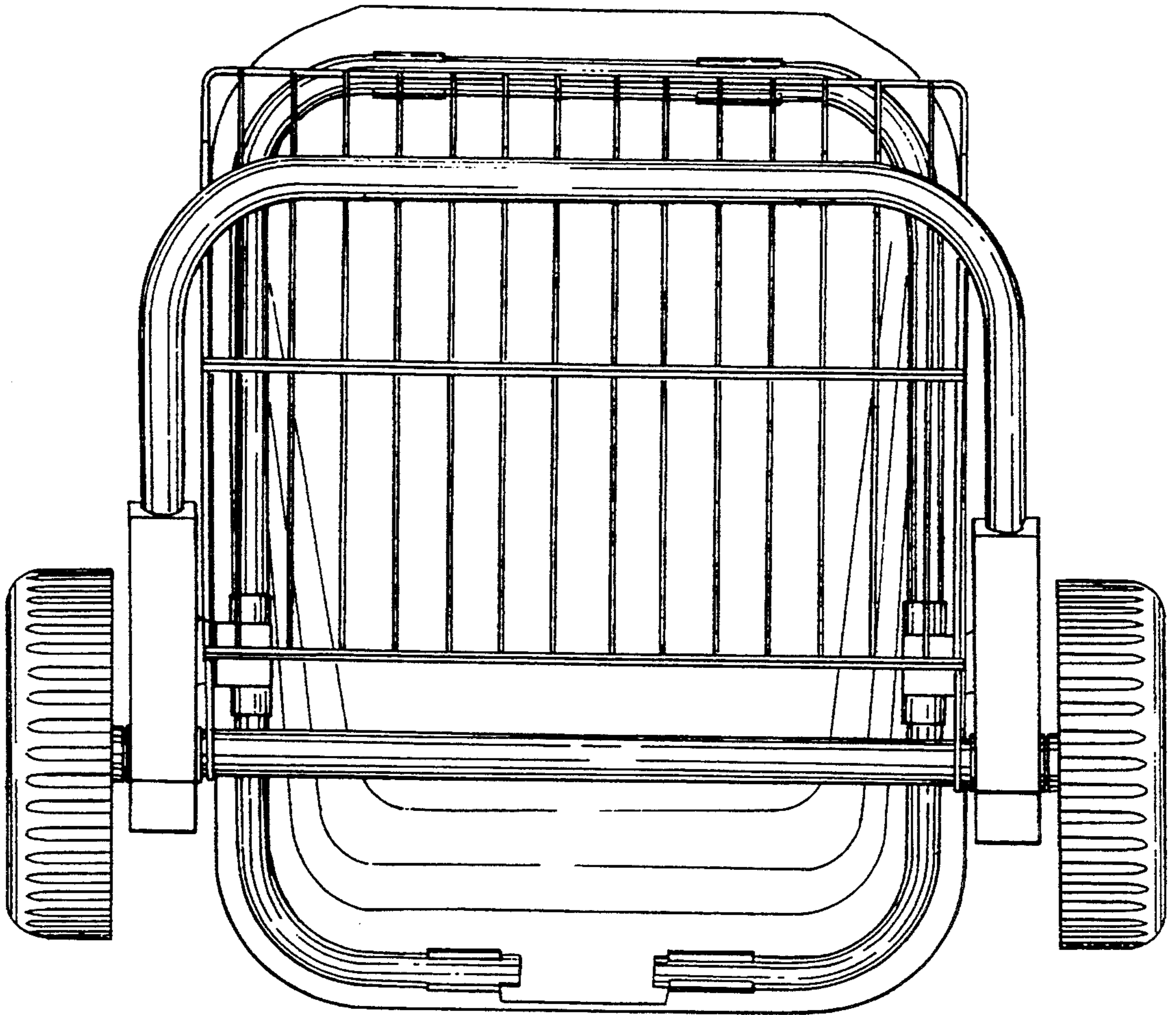


Fig.12

