



US00D358689S

United States Patent [19]

[11] Patent Number: **Des. 358,689**

Wallace

[45] Date of Patent: **** May 23, 1995**

[54] **VACUUM FOR A WOOD OR COAL STOVE OR FIREPLACE ASH**

FOREIGN PATENT DOCUMENTS

2425830 1/1980 France 15/321

[76] Inventor: **Alan H. Wallace, Rte. 4 Box 111-B, Bishop, Calif. 93514**

OTHER PUBLICATIONS

Institutions Magazine; Aug. 1958; p. 57; Tornado Vacuum Cleaner.

[**] Term: **14 Years**

Institutions Magazine, May 1957; p. 121; American Floor Machine Co. Vacuum.

[21] Appl. No.: **10,691**

Sears; Spring-Summer; p. 839; Craftsman Wet-Dry Vac.

[22] Filed: **Jul. 14, 1993**

Oreck Corporation Catalog; p. 9, Wet-Dry Vacuum WD69.

[52] U.S. Cl. **D32/23**

Primary Examiner—Cathy Anne MacCormac

[58] Field of Search **D32/21, 22, 23, 25, D32/31-32; 15/327.6, 353, 314, 327.2, 327.1, 320**

[57] CLAIM

The ornamental design for a vacuum for a wood or coal stove or fireplace ash, as shown and described.

[56] References Cited

DESCRIPTION

U.S. PATENT DOCUMENTS

D. 214,196	5/1969	Williams	D32/23
4,355,434	10/1982	Gongiuer	15/327.1
4,531,258	7/1985	Spellman	15/327.1
4,807,590	2/1989	Evans	15/314
4,809,396	3/1989	Houser	15/320
4,953,255	9/1990	Jenkins	15/327.02
4,995,137	2/1991	Reichborn	15/327.1
5,259,087	11/1993	Loveless et al.	15/327.6
5,287,587	2/1994	Yonkers et al.	15/320
5,289,611	3/1994	Yonkers et al.	15/321

FIG. 1 is a front elevational view of the vacuum for a wood or coal stove or fireplace ash showing my new design;

FIG. 2 is a rear elevational view thereof;

FIG. 3 is a left side elevational view thereof;

FIG. 4 is a right side elevational view thereof;

FIG. 5 is a top plan view thereof; and,

FIG. 6 is a bottom plan view thereof.

FIGS. 1, 2, 5 and 6 are shown broken away to show indeterminate length.

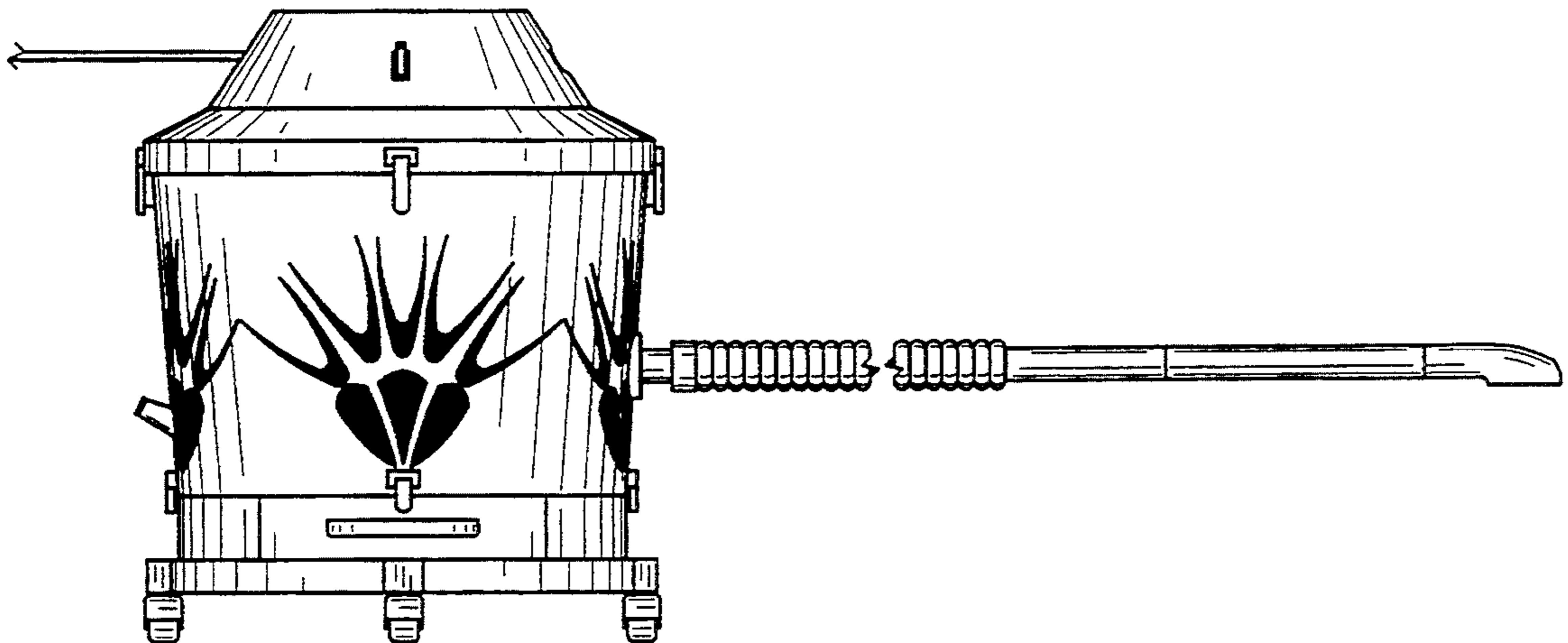


FIG. 1

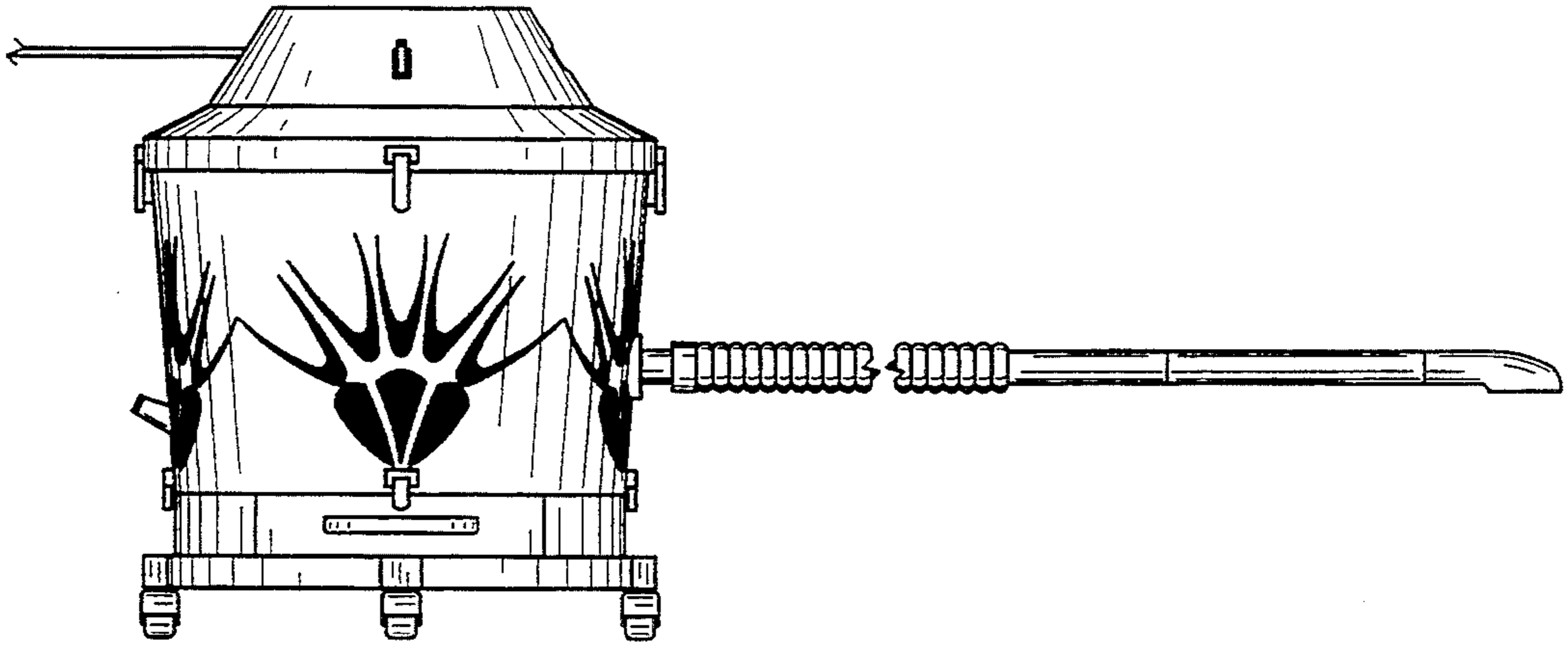


FIG. 2

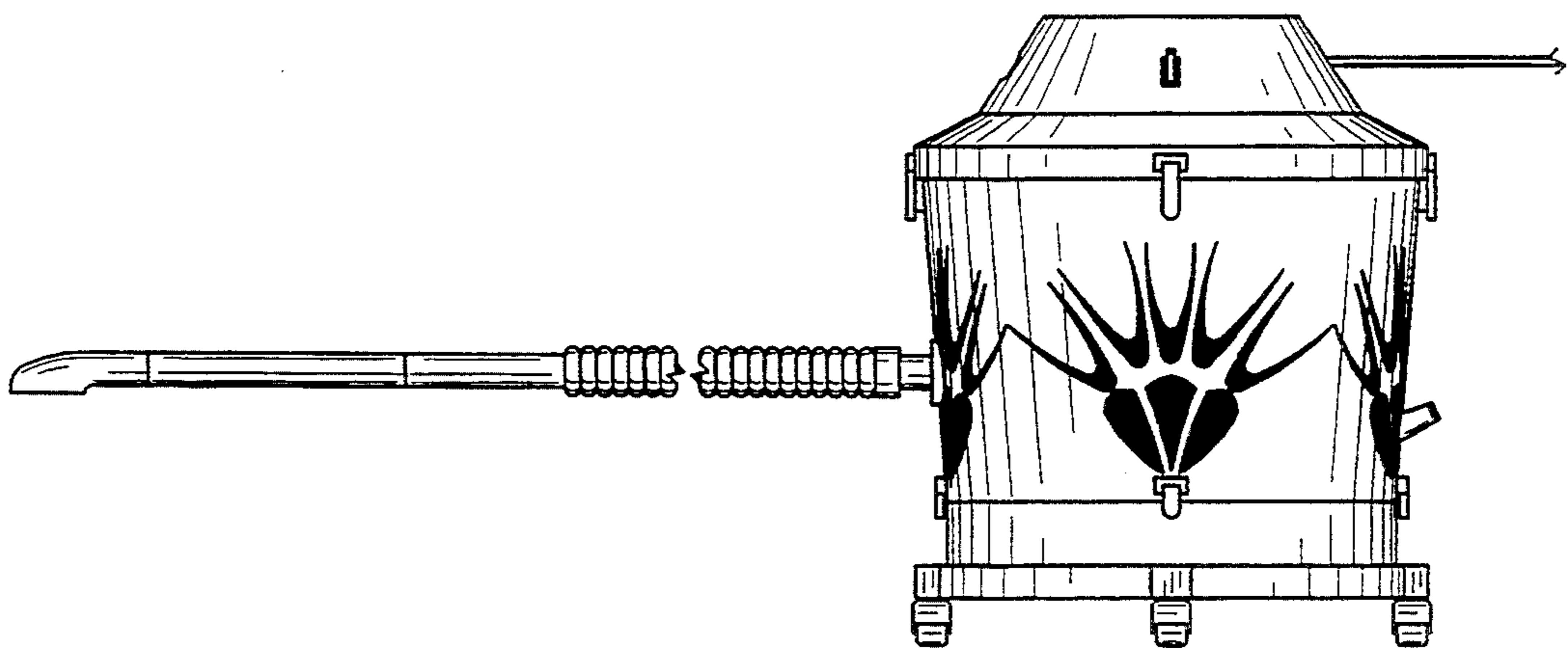


FIG. 3

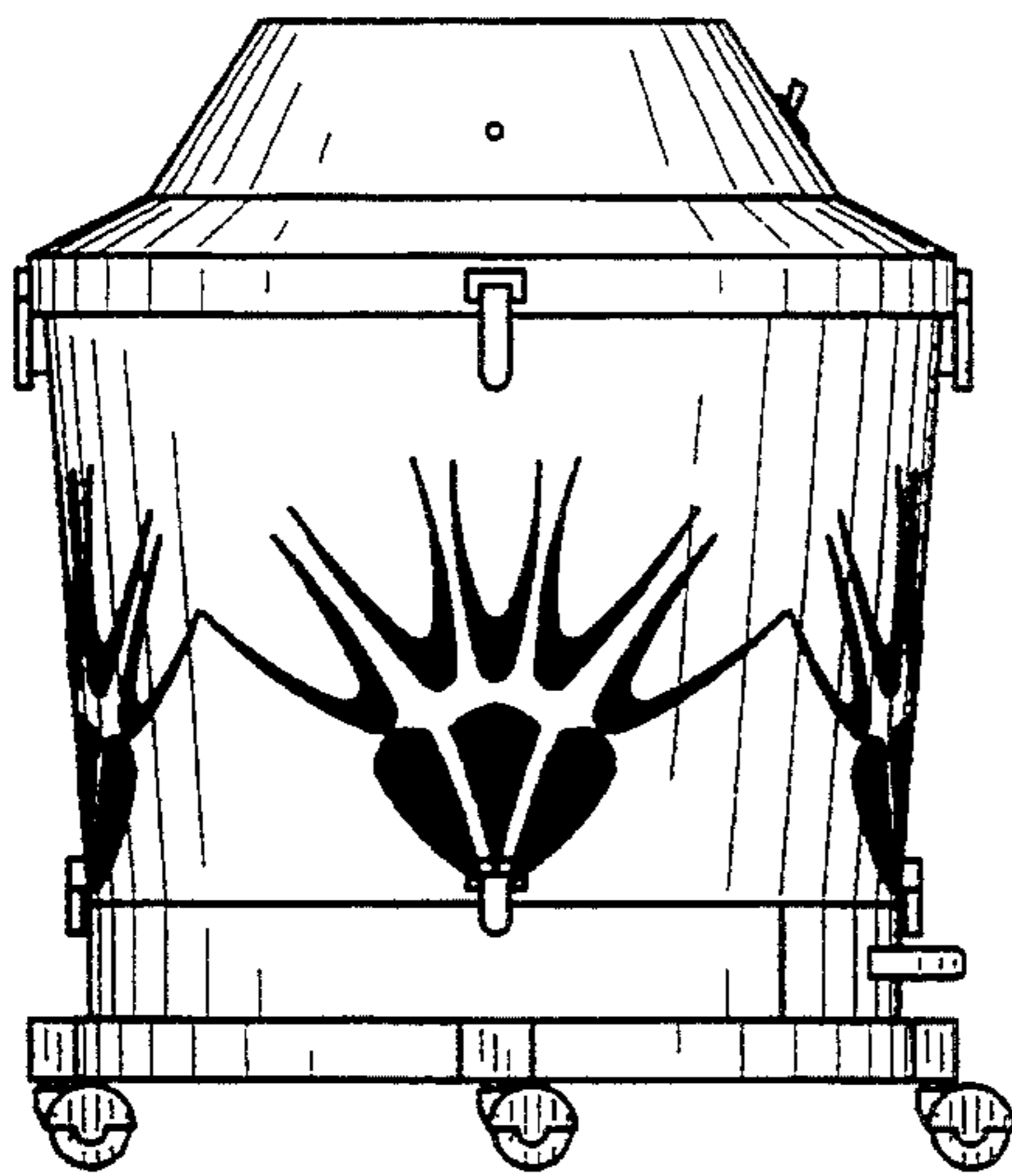


FIG. 4

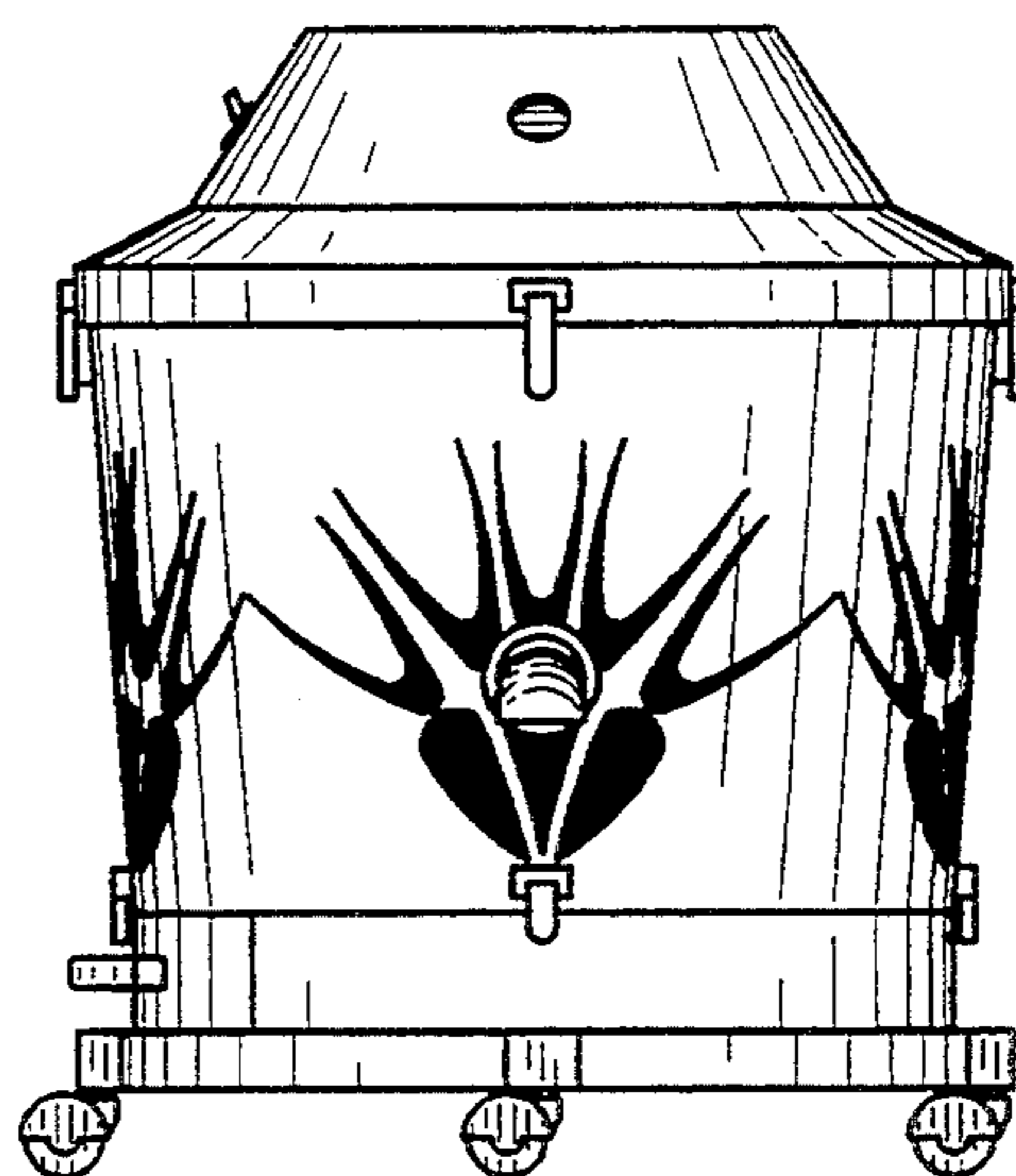


FIG. 5

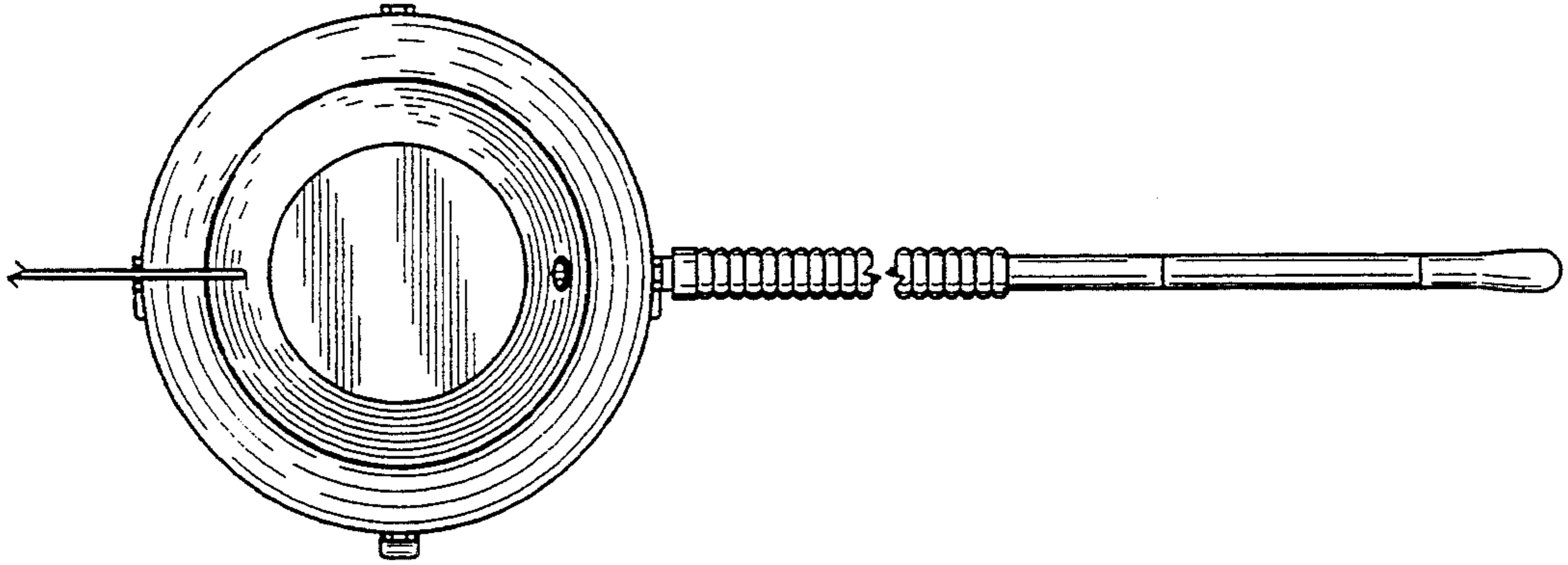


FIG. 6

