



US00D358683S

United States Patent [19]

[11] Patent Number: **Des. 358,683**

Bianco

[45] Date of Patent: **** May 23, 1995**

[54] **CUTICLE PUSHER BLADE**

[76] Inventor: **Dominic J. Bianco**, 135 Riedel Ave.,
Staten Island, N.Y. 10306

[**] Term: **14 Years**

[21] Appl. No.: **16,057**

[22] Filed: **Dec. 3, 1993**

[52] U.S. Cl. **D28/62; D28/57;**
D32/46; D8/20

[58] **Field of Search** **D28/56, 57, 59, 62;**
D32/40, 46, 48, 49; D8/19, 20, 45; 132/73,
73.5, 75.3, 75.4, 75.6; 15/236.01, 236.10; 30/26,
27, 169, 136, 346, 346.5, 346.55, 346.61, 351,
344

4,559,957 12/1985 Hokama 132/73
4,679,275 7/1987 Shannon 15/236.01
5,930,529 6/1990 Whitney 132/73

FOREIGN PATENT DOCUMENTS

702392 2/1941 Germany 15/236.01
182979 3/1936 Switzerland 132/75.4
1218574 1/1971 United Kingdom 132/76.5

OTHER PUBLICATIONS

Techni-Tool, Inc., Catalog #16, 1970 Edition; p. 78
center col.: Blade Nos. 18 and 23X.

Primary Examiner—Terry A. Wallace
Assistant Examiner—C. Tuttle
Attorney, Agent, or Firm—Richard W. Goldstein

[56] **References Cited**
U.S. PATENT DOCUMENTS

D. 25,702 6/1896 Goessling D28/57
D. 116,216 8/1939 Brekke .
D. 258,932 4/1981 Graham D8/99 X
D. 273,143 3/1984 Jankewitz D28/57
D. 278,966 5/1985 Anaya D8/45
D. 308,735 6/1990 Cane D28/57
D. 334,248 3/1993 Odabach D28/57
D. 334,632 4/1993 Odabach D28/57
D. 338,739 8/1993 Odabach D28/57
717,998 1/1903 Huebner 15/236.05 X
729,898 6/1903 Rubens 132/73
994,534 6/1911 Pletscher 30/27
2,331,676 10/1943 Hansen 15/236.05 X

[57] **CLAIM**
The ornamental design for a cuticle pusher blade, as
shown and described.

DESCRIPTION

FIG. 1 is a perspective view of a cuticle pusher blade
showing my new design in full lines with the broken line
showing of the handle being for illustrative purposes
only and forming no part of the claimed invention;
FIG. 2 is a top plan view of the pusher blade per se;
FIG. 3 is a right side elevational view thereof, the left
side view being a mirror image of the right side view;
FIG. 4 is a bottom plan view thereof;
FIG. 5 is a front elevational view thereof; and,
FIG. 6 is a rear elevational view thereof.

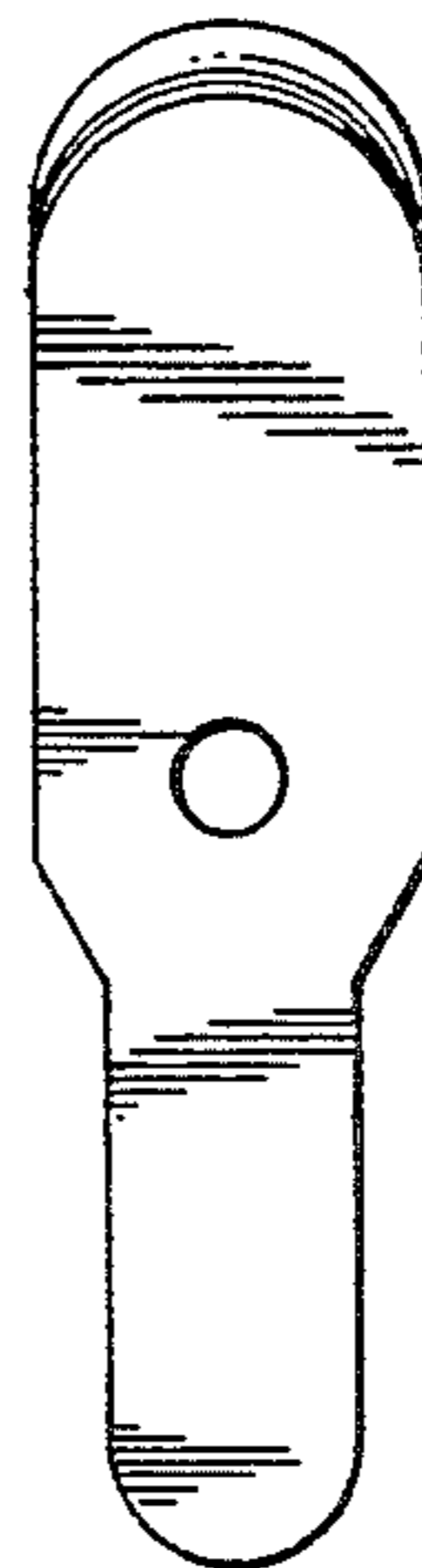
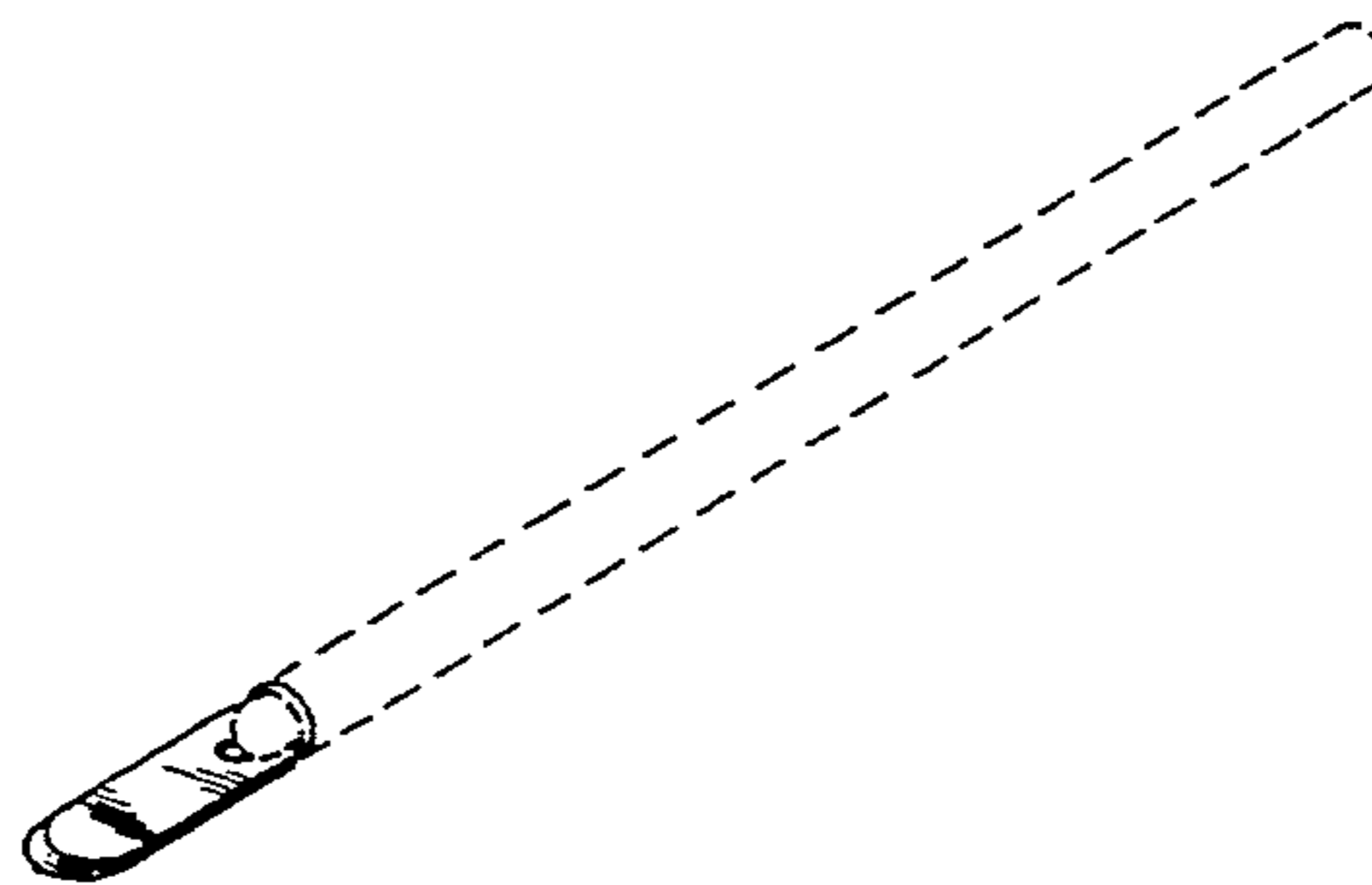


FIG. 2

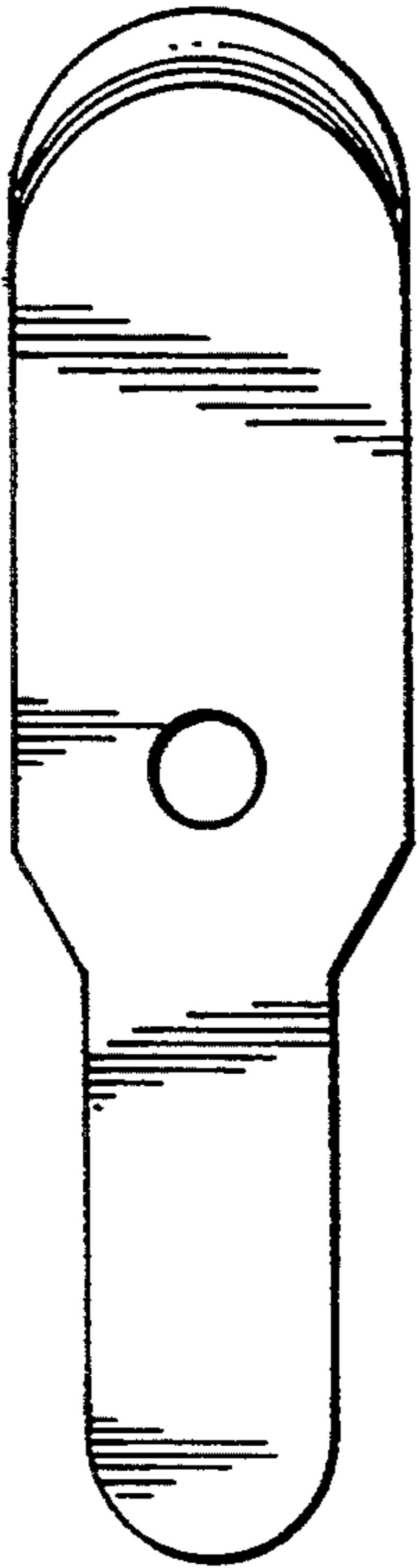


FIG. 1

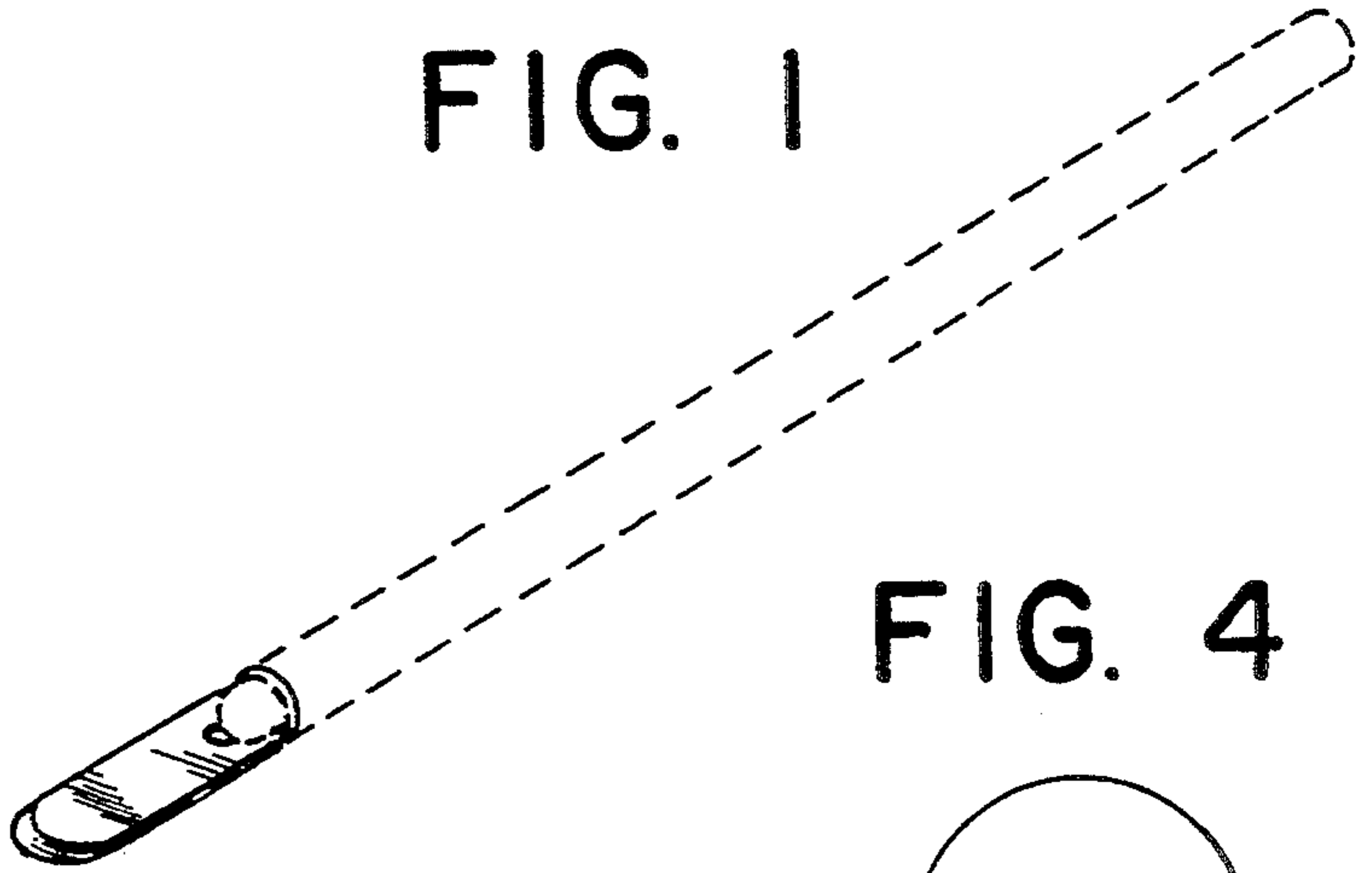


FIG. 4

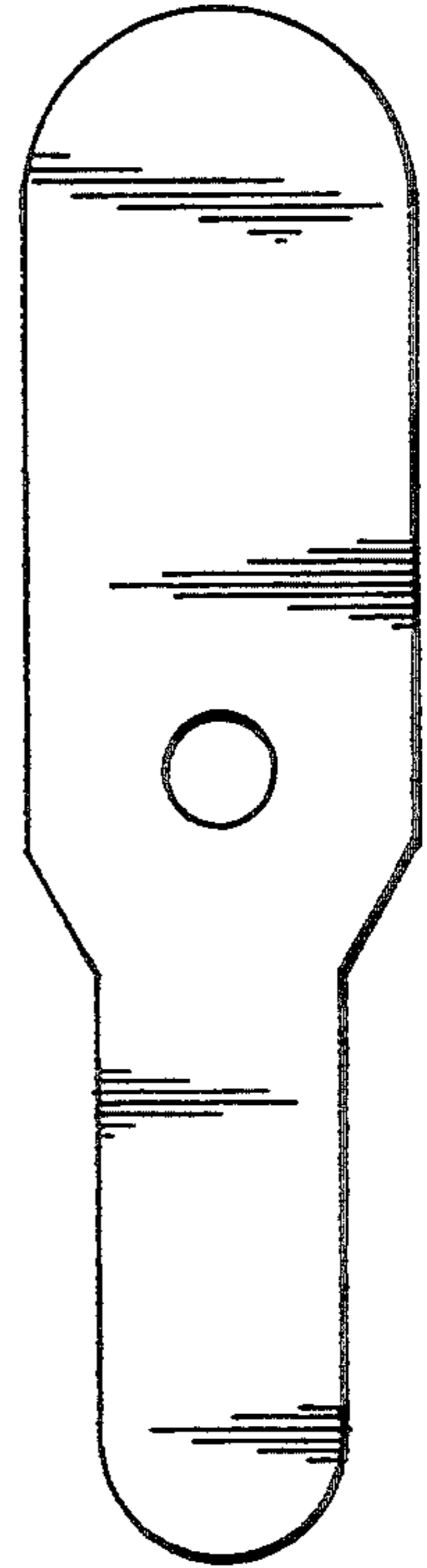


FIG. 3



FIG. 5



FIG. 6

