



US00D358682S

# United States Patent [19] Johnson

[11] Patent Number: **Des. 358,682**

[45] Date of Patent: **\*\* May 23, 1995**

[54] **NICOTINE CONTAINING TOOTHPICK**

[76] Inventor: **Martin Johnson, 73853 Memphis Ridge, Richmond, Mich. 48062**

[\*\*] Term: **14 Years**

[21] Appl. No.: **18,310**

[22] Filed: **Feb. 3, 1994**

[52] U.S. Cl. .... **D28/64; D7/300.2**

[58] Field of Search ..... **D28/64; 132/321-329; D7/300.2**

3,563,253	2/1971	Barman .....	D28/64
3,672,378	6/1972	Silverman .....	132/329
4,518,099	5/1985	Makishima .	
4,522,314	6/1985	Nelson .	
5,234,009	8/1993	Lemon et al. ....	132/321

*Primary Examiner*—Kay H. Chin  
*Attorney, Agent, or Firm*—Terry M. Gernstein

[57] **CLAIM**

The ornamental design for a nicotine containing toothpick, as shown and described.

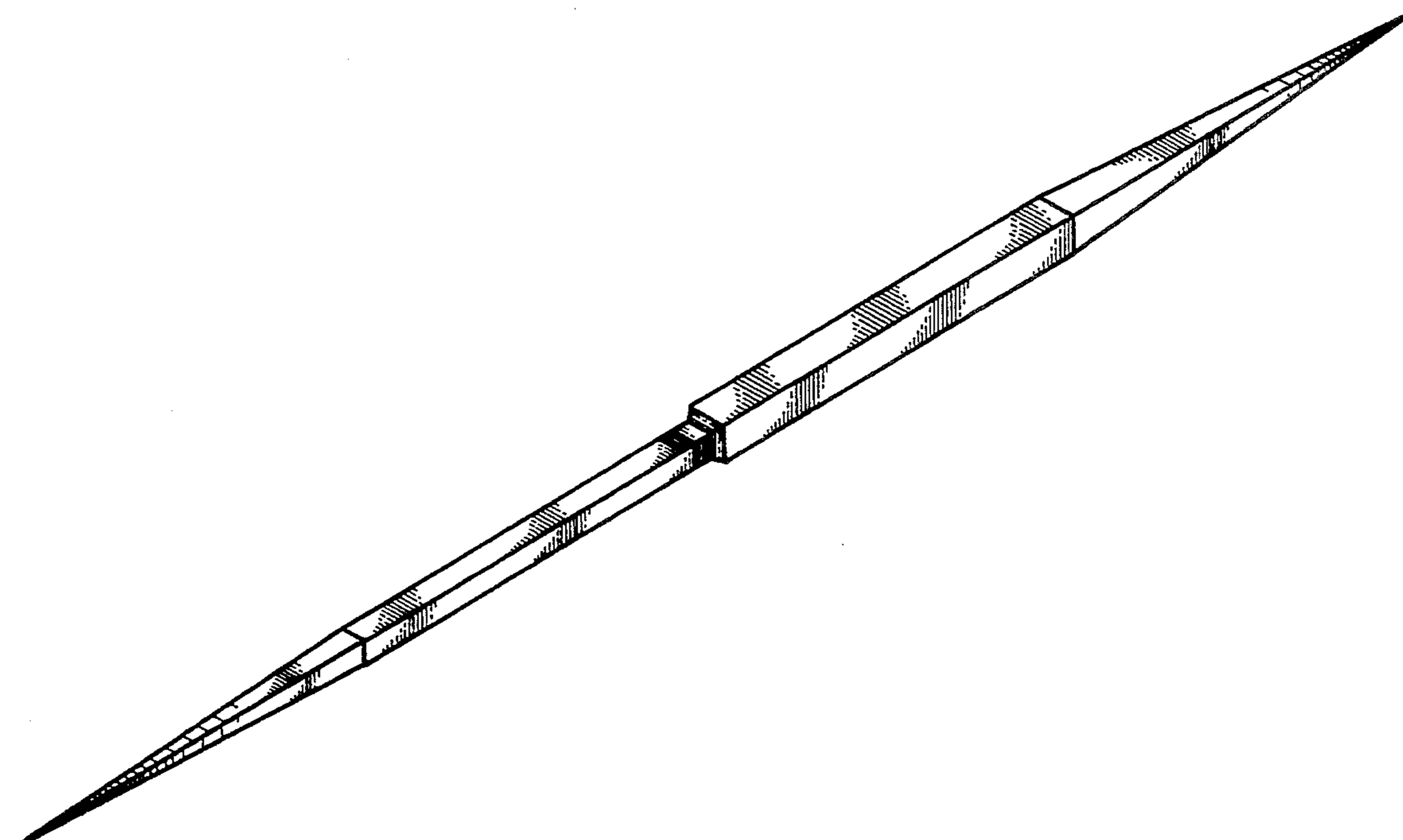
**DESCRIPTION**

FIG. 1 is a front, top and side perspective view of the nicotine containing toothpick showing my new design; FIG. 2 is a front elevational view thereof; FIG. 3 is a rear elevational view thereof; and, FIG. 4 is a side view thereof, all sides, the top and the bottom being identical.

[56] **References Cited**

**U.S. PATENT DOCUMENTS**

D. 293,372	12/1987	Butt .....	D28/64
D. 309,075	7/1990	Rossari .	
1,355,037	10/1920	Dziuk .....	132/328



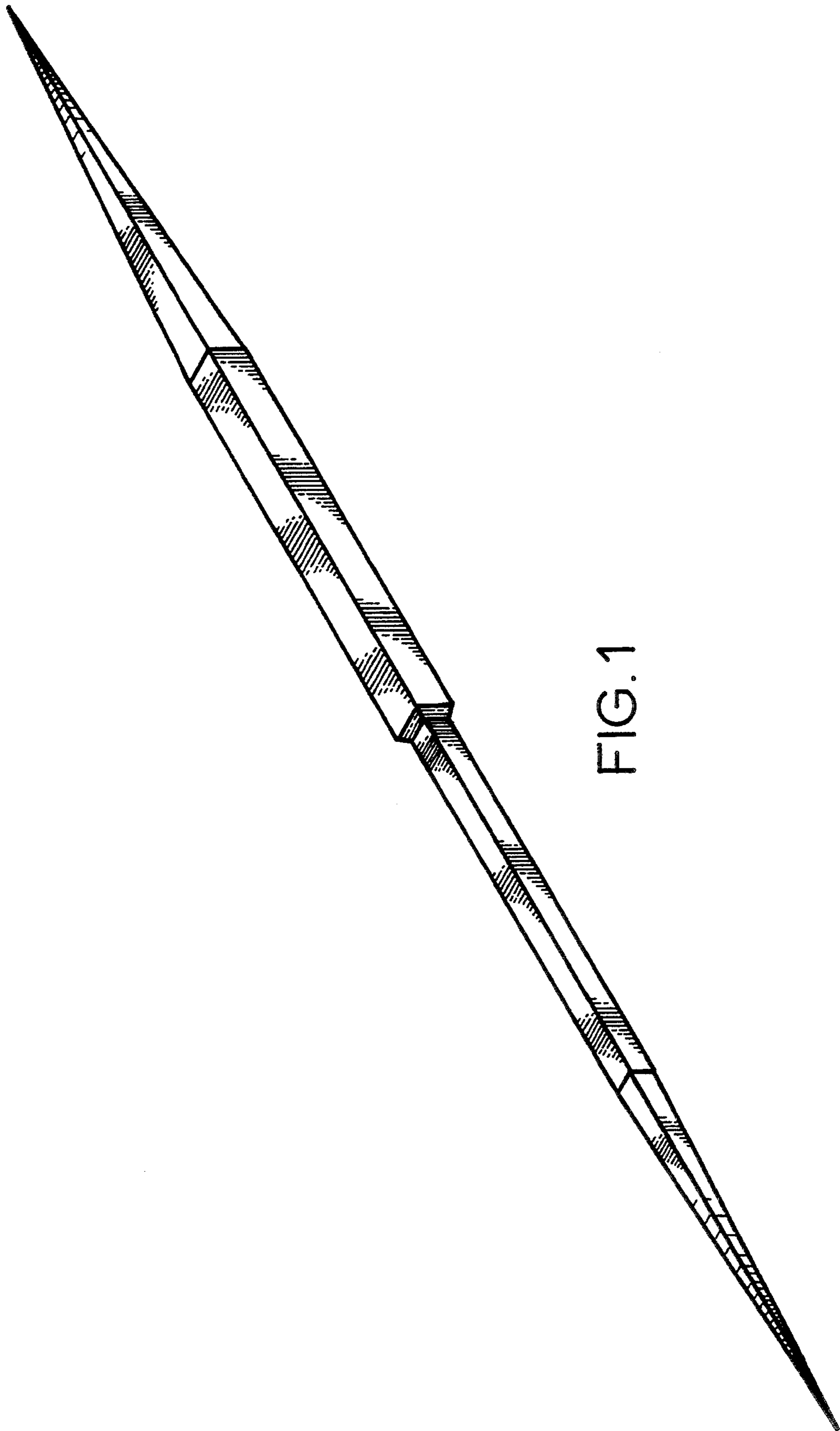


FIG. 1



FIG. 4



FIG. 2



FIG. 3