



US00D358679S

# United States Patent [19]

[11] Patent Number: **Des. 358,679**

Garrity

[45] Date of Patent: **\*\* May 23, 1995**

[54] FLASHLIGHT HOLDER WITH LIVING HINGE

4,655,425 4/1987 Wallace et al. .... 248/308 X

[75] Inventor: **Kevin S. Garrity**, Madison, Conn.

*Primary Examiner*—Susan J. Lucas

[73] Assignee: **Garrity Industries, Inc.**, Madison, Conn.

*Attorney, Agent, or Firm*—Fitzpatrick, Cella, Harper & Scinto

[\*\*] Term: **14 Years**

### [57] CLAIM

[21] Appl. No.: **19,186**

The ornamental design for a flashlight holder with living hinge, as shown and described.

[22] Filed: **Feb. 24, 1994**

### DESCRIPTION

[52] U.S. Cl. .... **D26/138; D8/373**

[58] Field of Search ..... **D26/138, 140; D8/394, D8/395, 396, 363, 373; 362/190, 191, 396; 248/309, 312, 313, 314, 308, 231.8, 231, 311.2**

FIG. 1 is a perspective view of the flashlight holder with living hinge showing my new design, the hinge being bent to hold a flashlight in a vertical position, the flashlight being shown in broken lines for illustrative purposes only;

### [56] References Cited

#### U.S. PATENT DOCUMENTS

2,628,054	2/1953	Fazarerly	.....	248/311.2
2,894,119	7/1959	Stenger	.....	248/231
3,599,918	8/1971	Patchett	.....	248/231.8 X
4,332,362	6/1982	Leopold	.....	248/229 X

FIG. 2 is a front elevational view of the flashlight holder with living hinge in a flat position;

FIG. 3 is a rear elevational view thereof;

FIG. 4 is a bottom plan view thereof;

FIG. 5 is a top plan view thereof; and,

FIG. 6 is a side elevational view thereof (the other side corresponds).

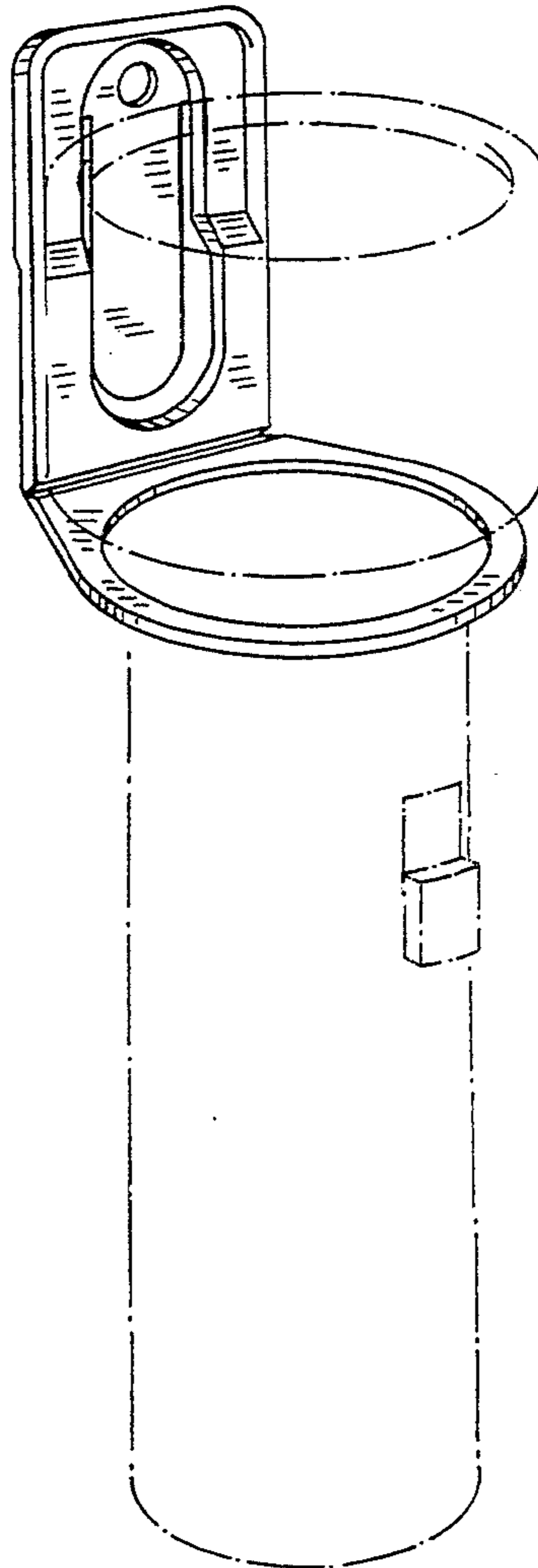


FIG. 1

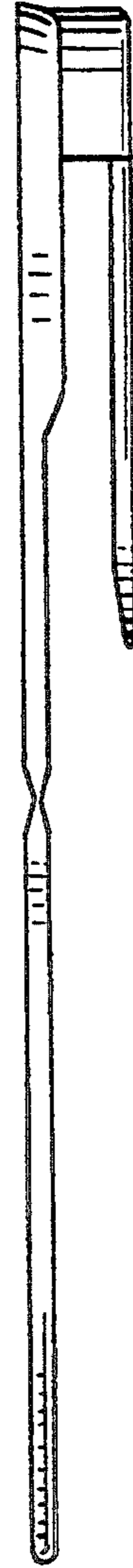
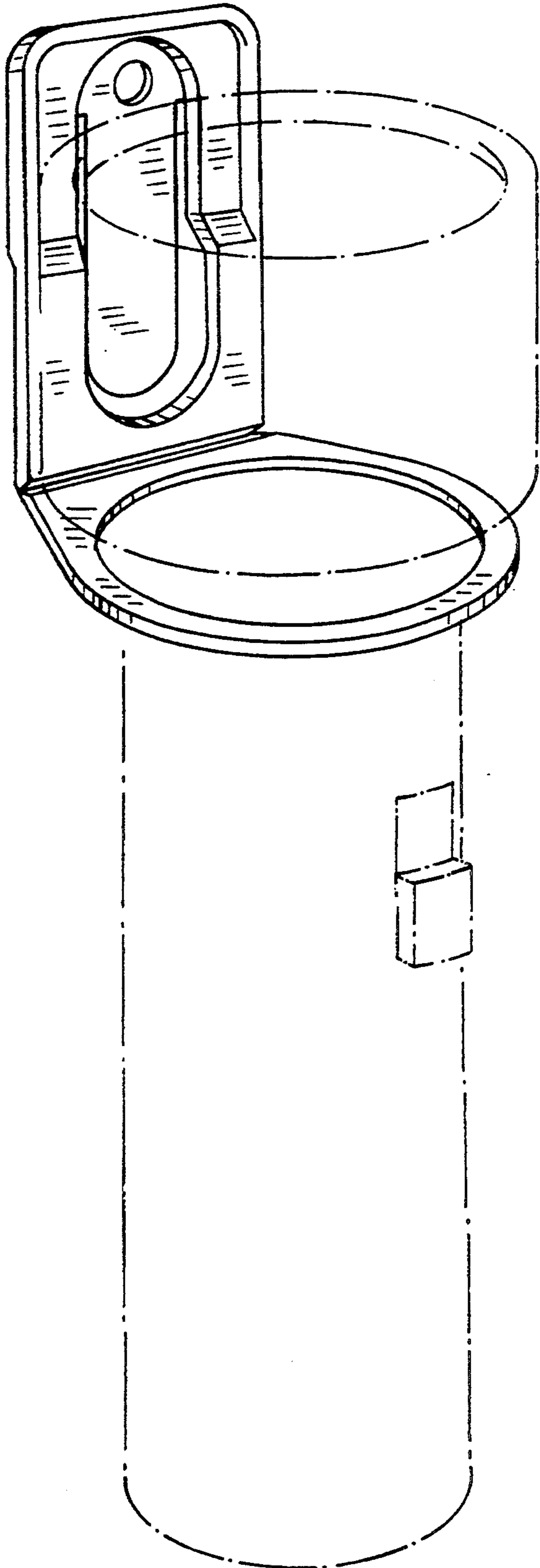


FIG. 6

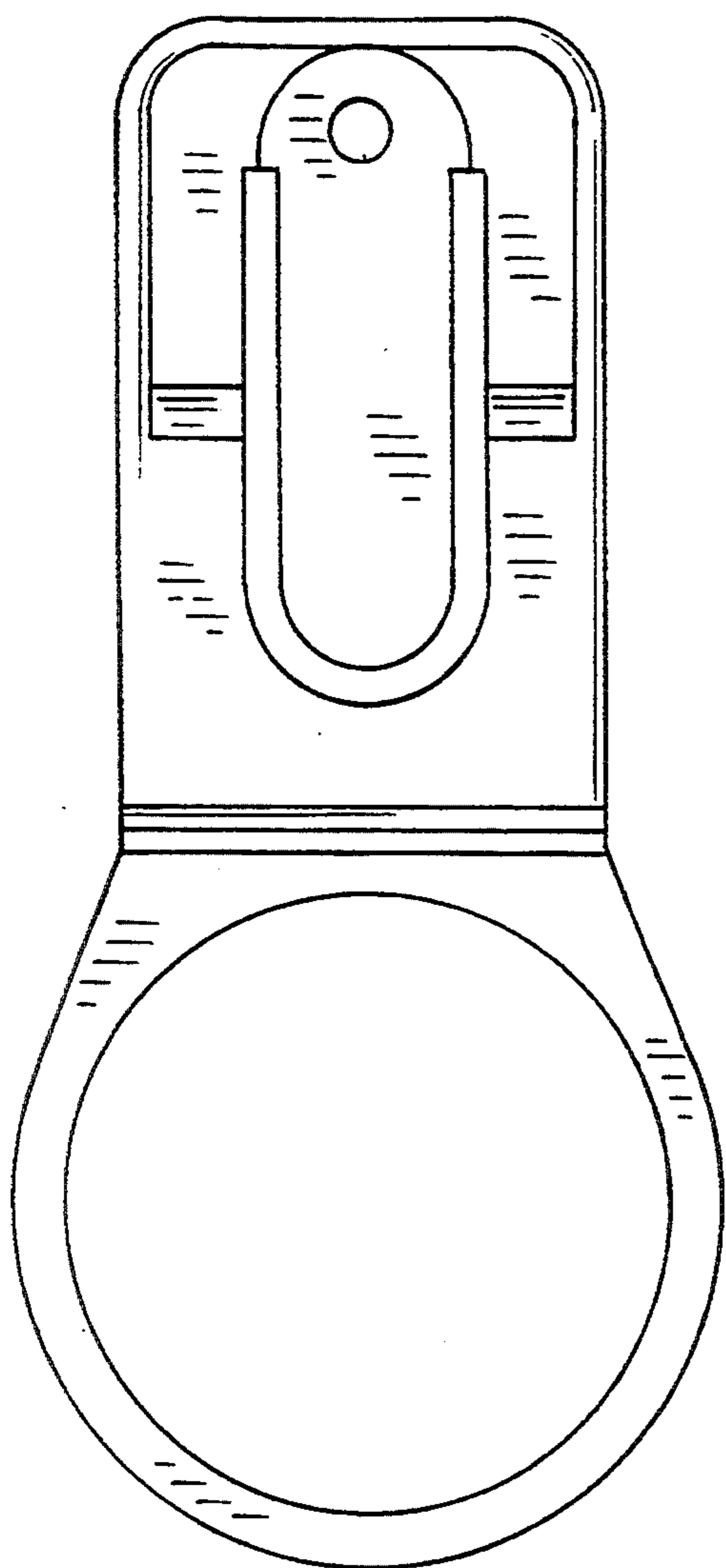


FIG. 2

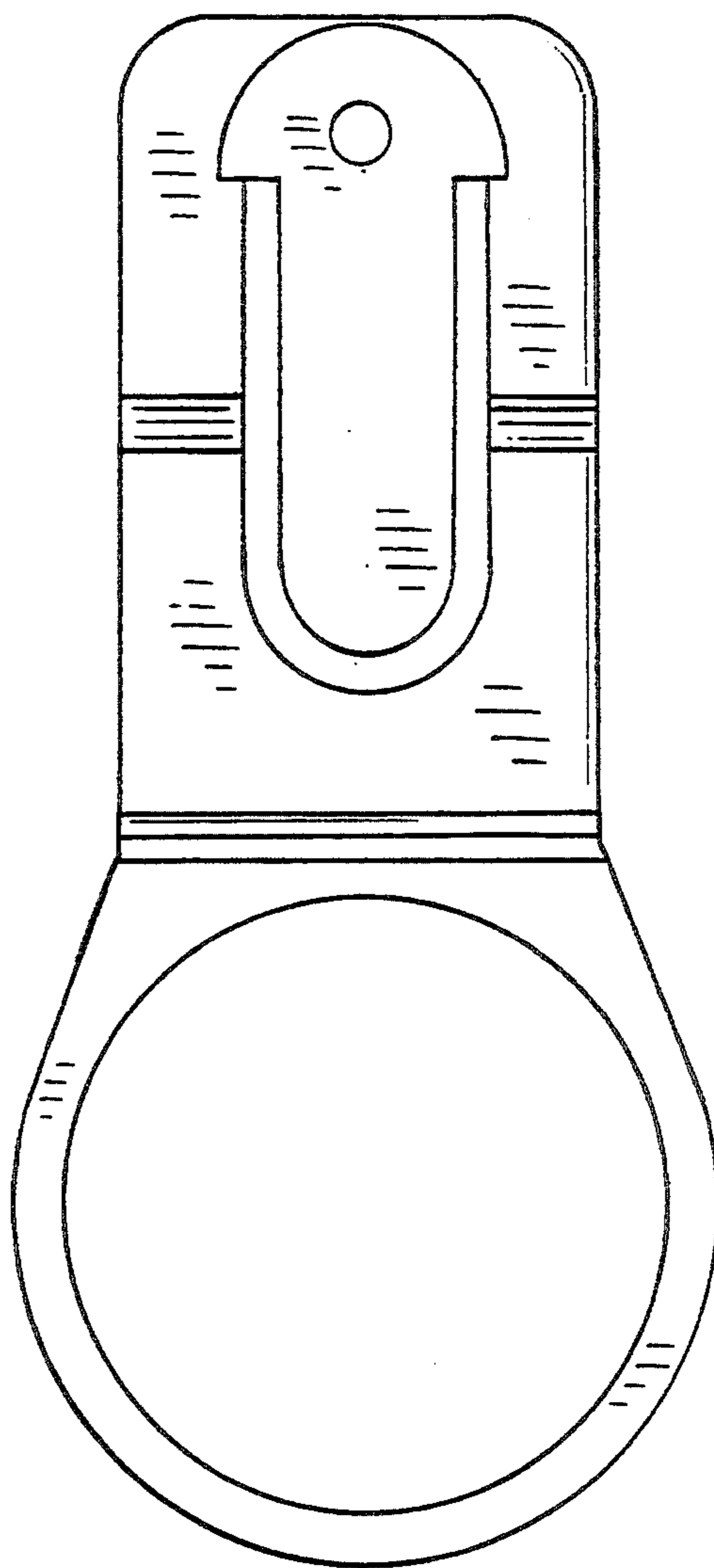


FIG. 3

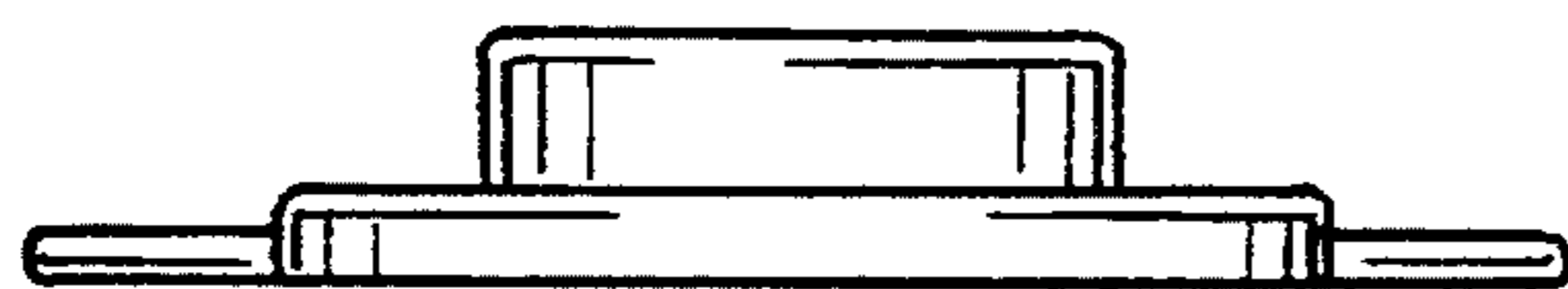


FIG. 4

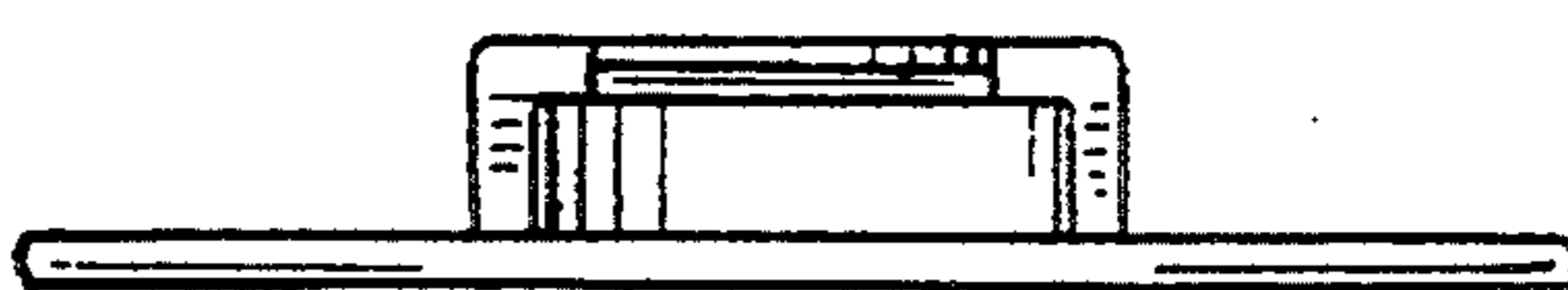


FIG. 5

UNITED STATES PATENT AND TRADEMARK OFFICE  
**CERTIFICATE OF CORRECTION**

PATENT NO. : Des. 358,679  
DATED : May 23, 1995  
INVENTOR(S) : KEVIN S. GARRITY

It is certified that error appears in the above-identified patent and that said Letters Patent is hereby corrected as shown below:

TITLE PAGE:

At [56] References Cited, line 1:

"Fazarerly" should read --Fazakerly--.

At [57] DESCRIPTION, last line:

"coresponds)." should read --corresponds)---

Signed and Sealed this  
Twentieth Day of February, 1996

*Attest:*



BRUCE LEHMAN

*Attesting Officer*

*Commissioner of Patents and Trademarks*