



US00D358677S

United States Patent [19]

[11] Patent Number: **Des. 358,677**

Kania

[45] Date of Patent: **** May 23, 1995**

[54] **ADJUSTABLE CEILING LAMP**

[76] Inventor: **Martin Kania**, Fischenbergstrasse 15 b, 58455 Witten, Germany

[**] Term: **14 Years**

[21] Appl. No.: **14,010**

[22] Filed: **Oct. 8, 1993**

[30] **Foreign Application Priority Data**

Apr. 8, 1993 [DE] Germany M 9303078.9

[52] U.S. Cl. **D26/65**

[58] Field of Search D26/60, 61, 63, 65; 362/147, 269, 271, 275, 418, 419, 427

[56] **References Cited**

U.S. PATENT DOCUMENTS

D. 316,909 5/1991 Paul et al. D26/63
D. 325,646 4/1992 Grange D26/63

OTHER PUBLICATIONS

Max Halogen Lighting Catalog, Jul. 1989, p. 2, Spotlight TR-16.

Max Halogen Lighting Catalog, Jul. 1989, p. 3, Spotlight DL-58.

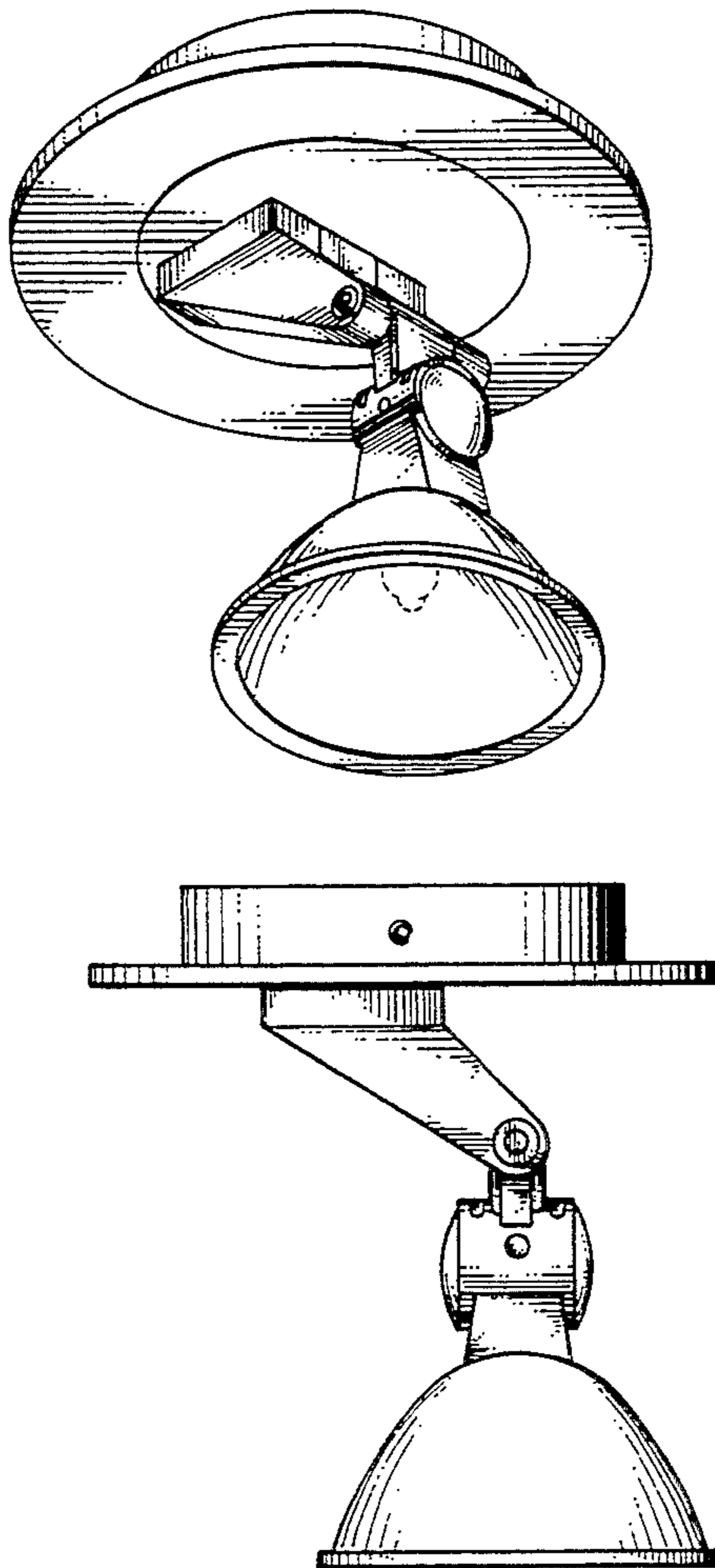
Primary Examiner—Susan J. Lucas
Attorney, Agent, or Firm—Snell & Wilmer

[57] **CLAIM**

The ornamental design for an adjustable ceiling lamp, as shown and described.

DESCRIPTION

FIG. 1 is a perspective view of an adjustable ceiling lamp embodying my new design;
FIG. 2 is a side elevational view of one side of the adjustable ceiling lamp shown in FIG. 1;
FIG. 3 is a front elevational view of the adjustable ceiling lamp shown in FIG. 1;
FIG. 4 is a side elevational view of the other side of the adjustable ceiling lamp shown in FIG. 1;
FIG. 5 is a rear elevational view of the adjustable ceiling lamp shown in FIG. 1;
FIG. 6 is a top plan view of the adjustable ceiling lamp shown in FIG. 1; and,
FIG. 7 is a bottom view of the adjustable ceiling lamp shown in FIG. 1.



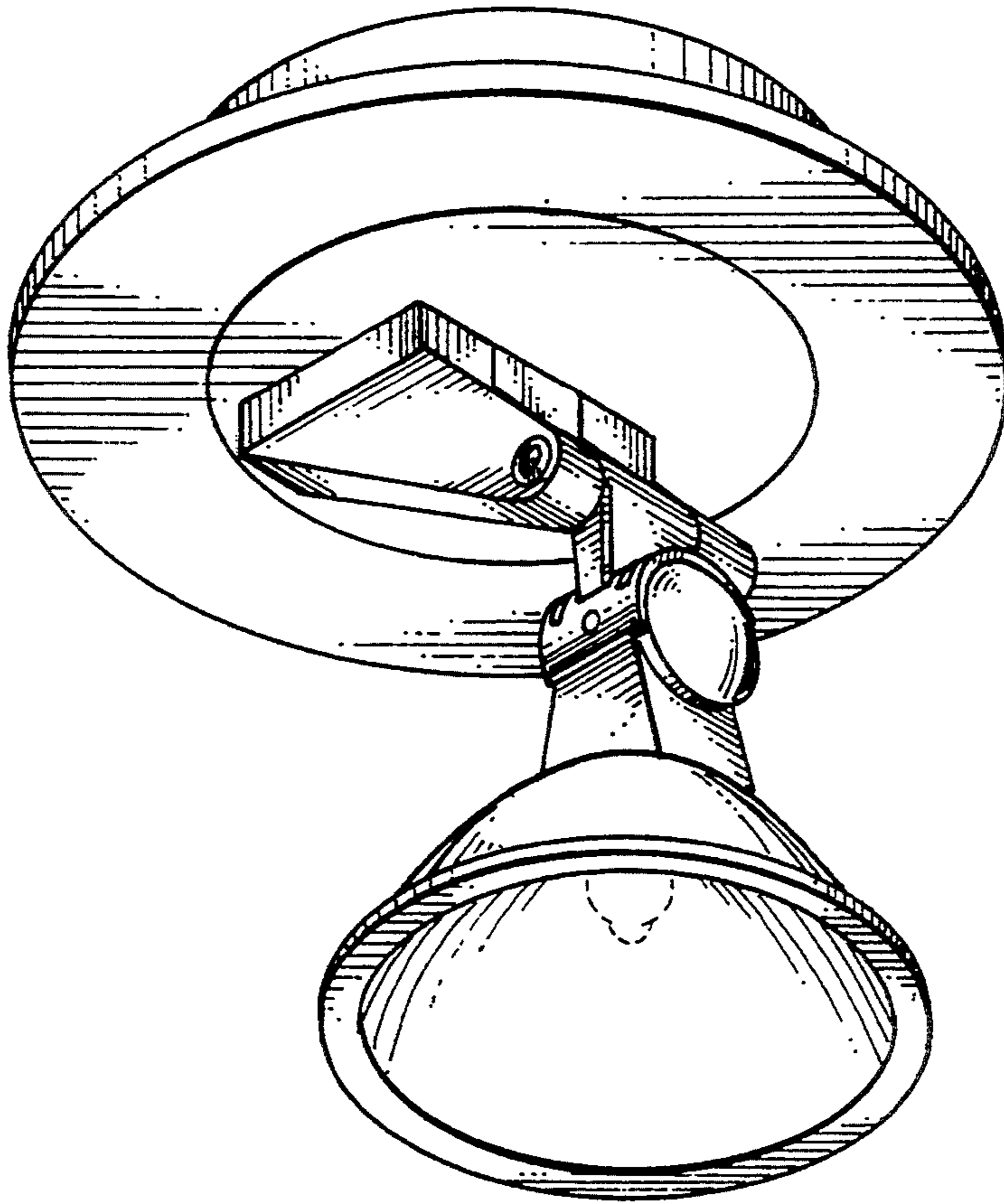


FIG. 1

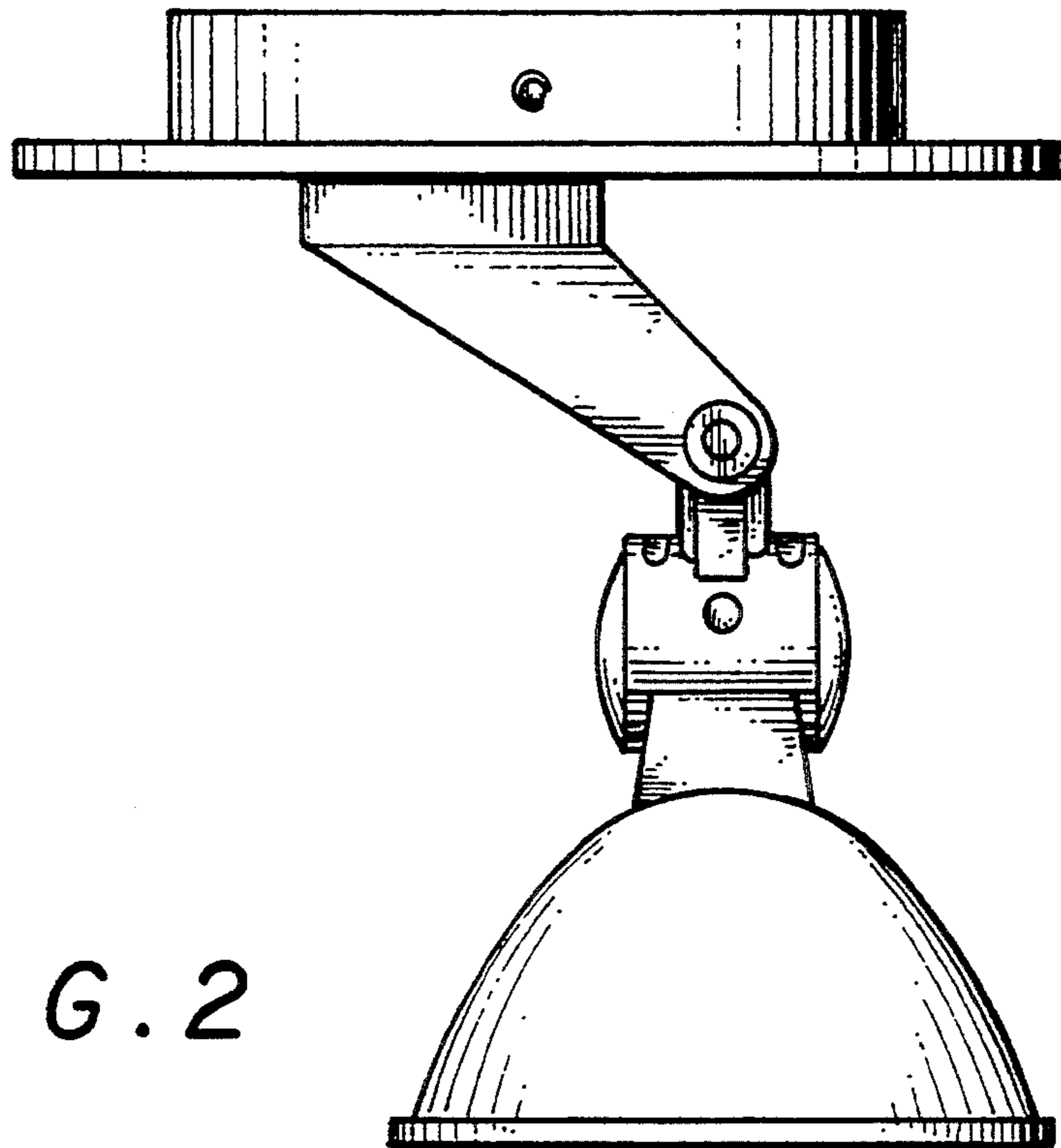


FIG. 2

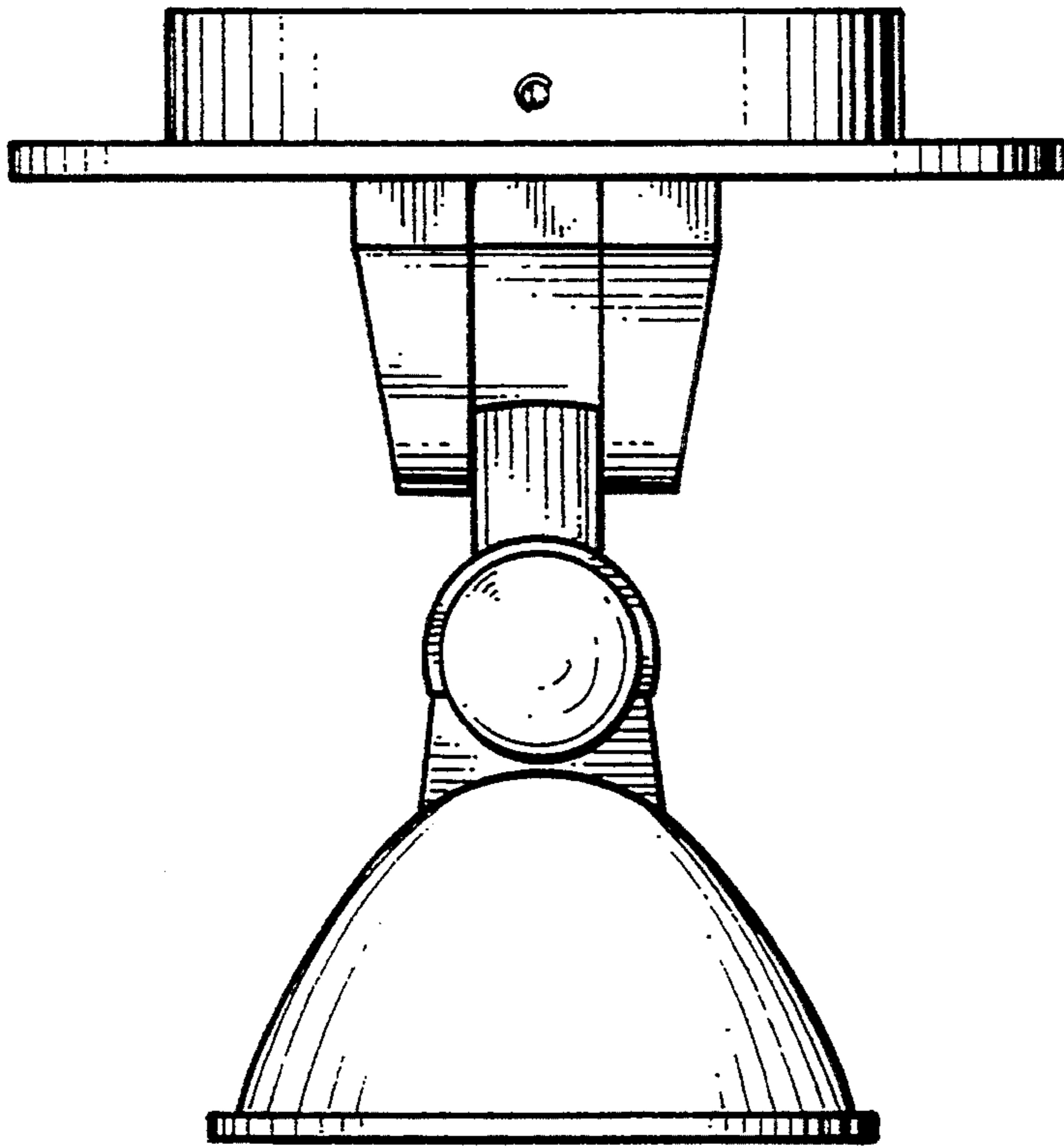
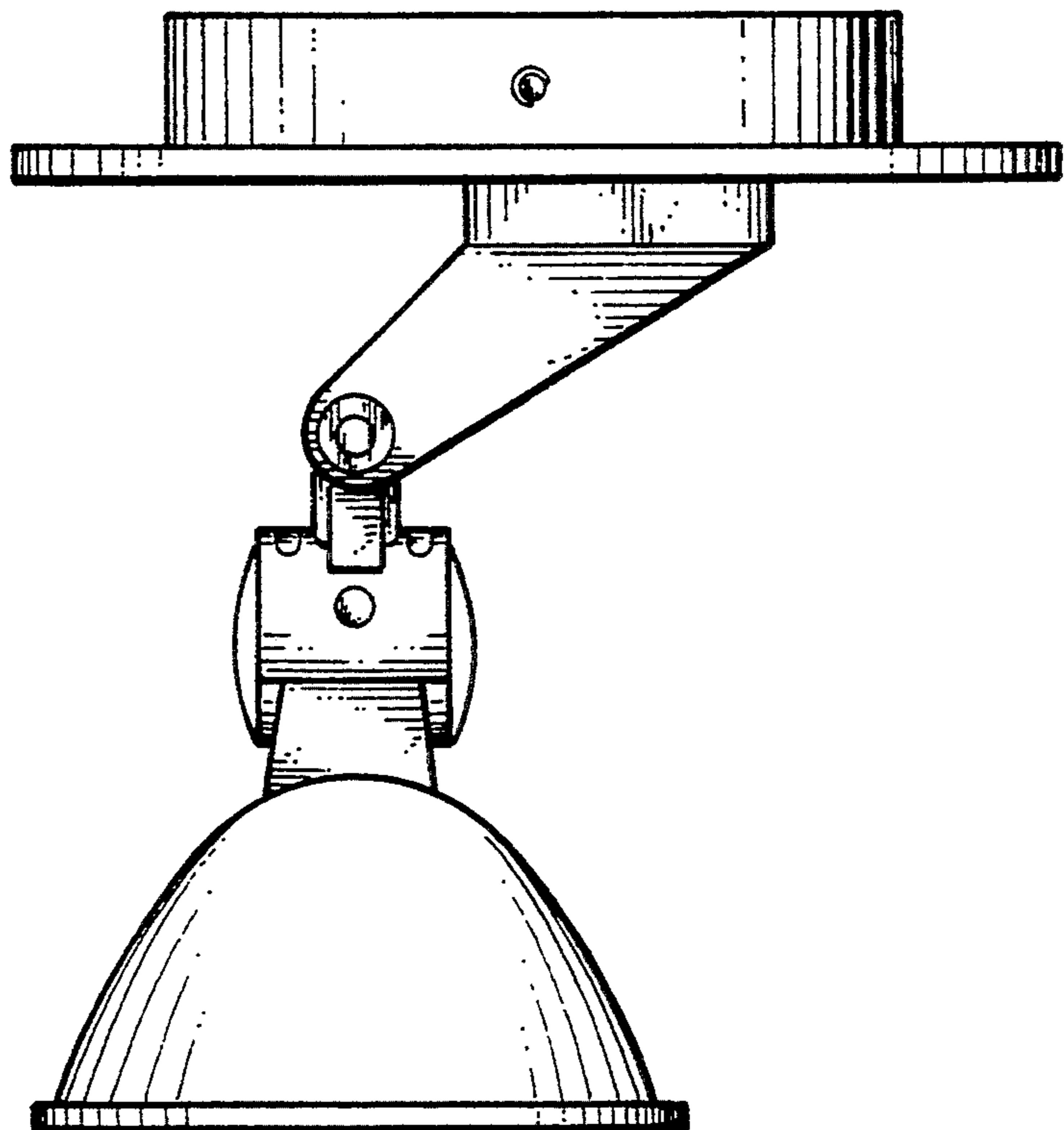


FIG. 3

FIG. 4



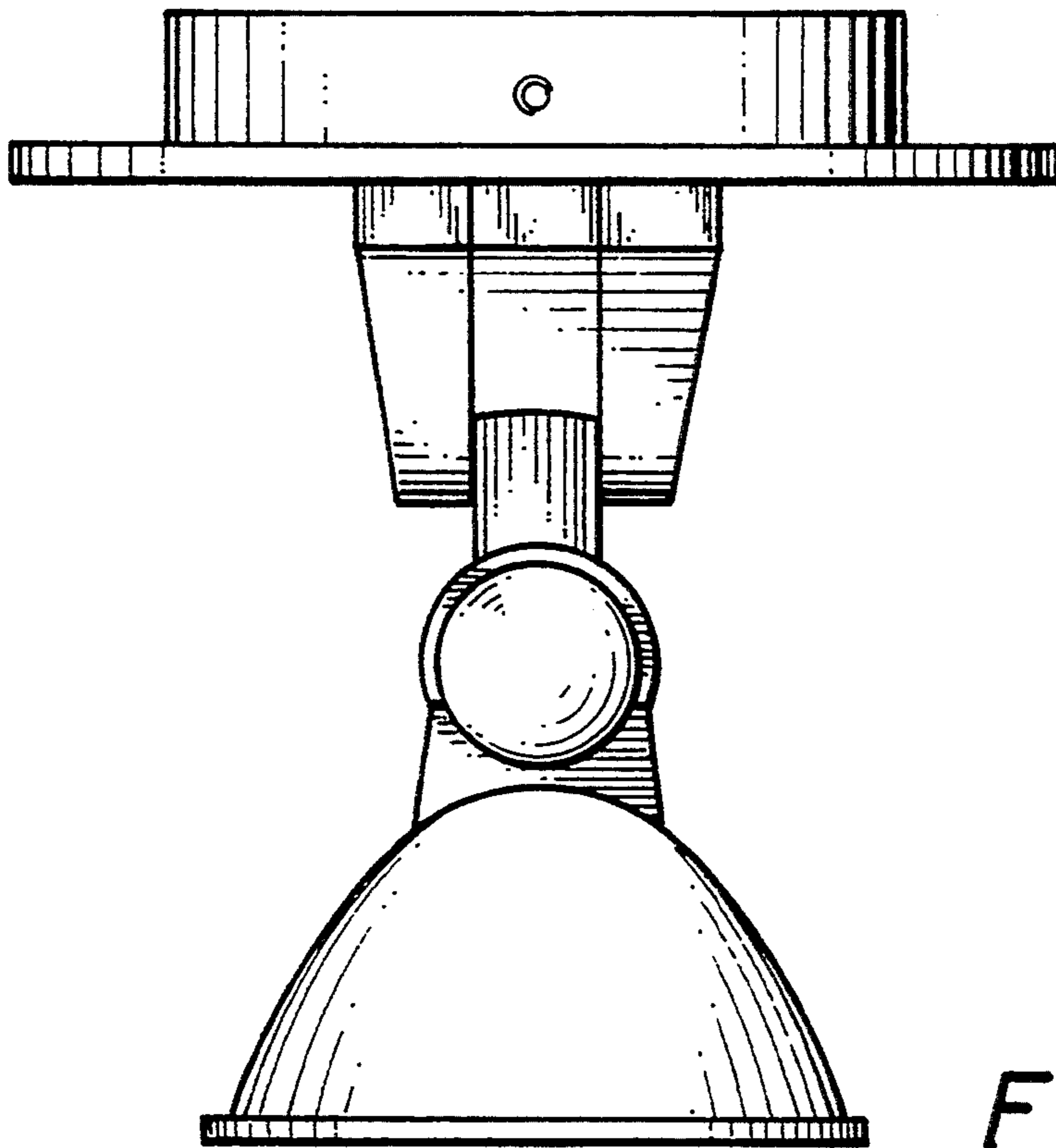


FIG. 5

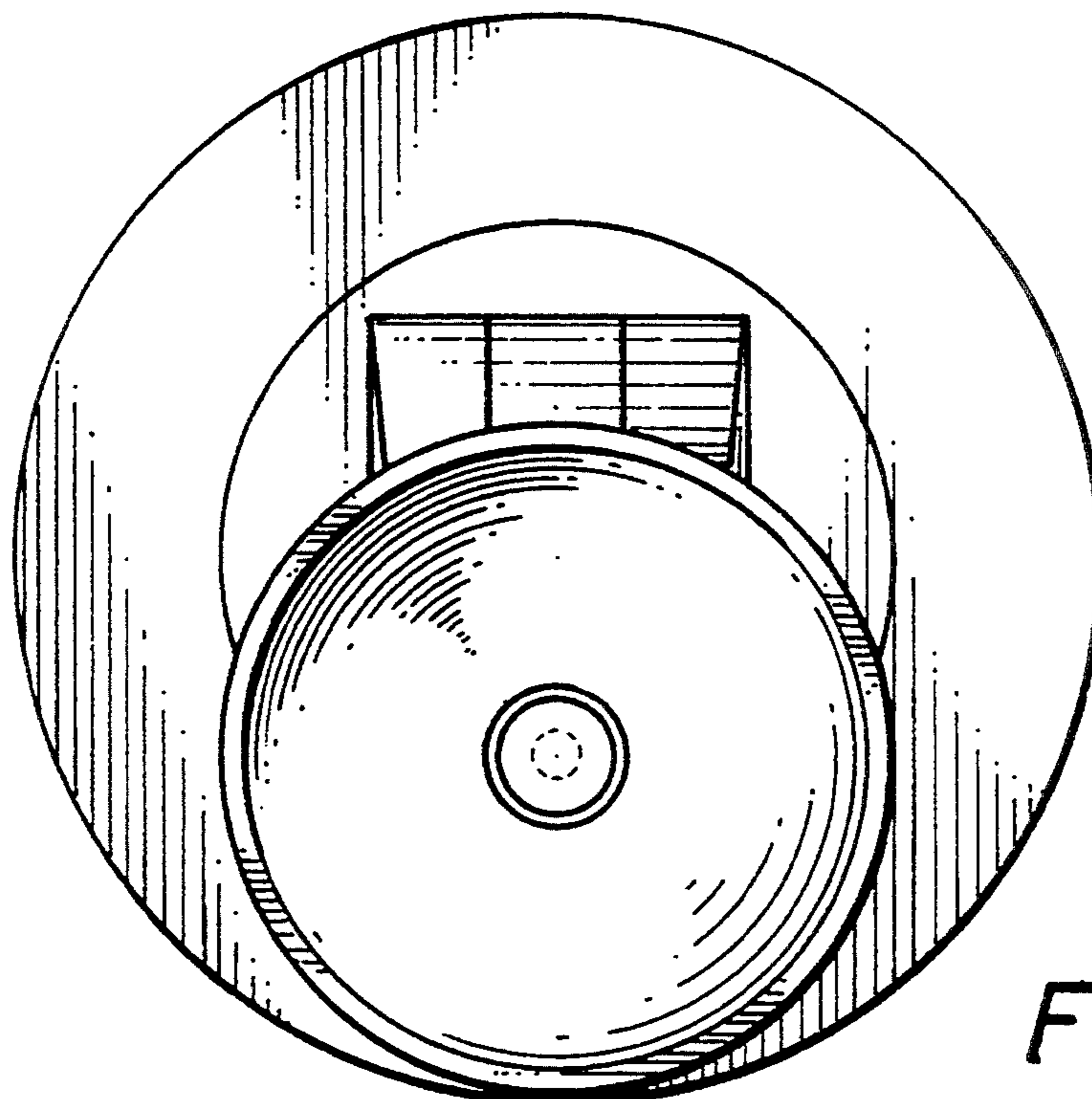


FIG. 7

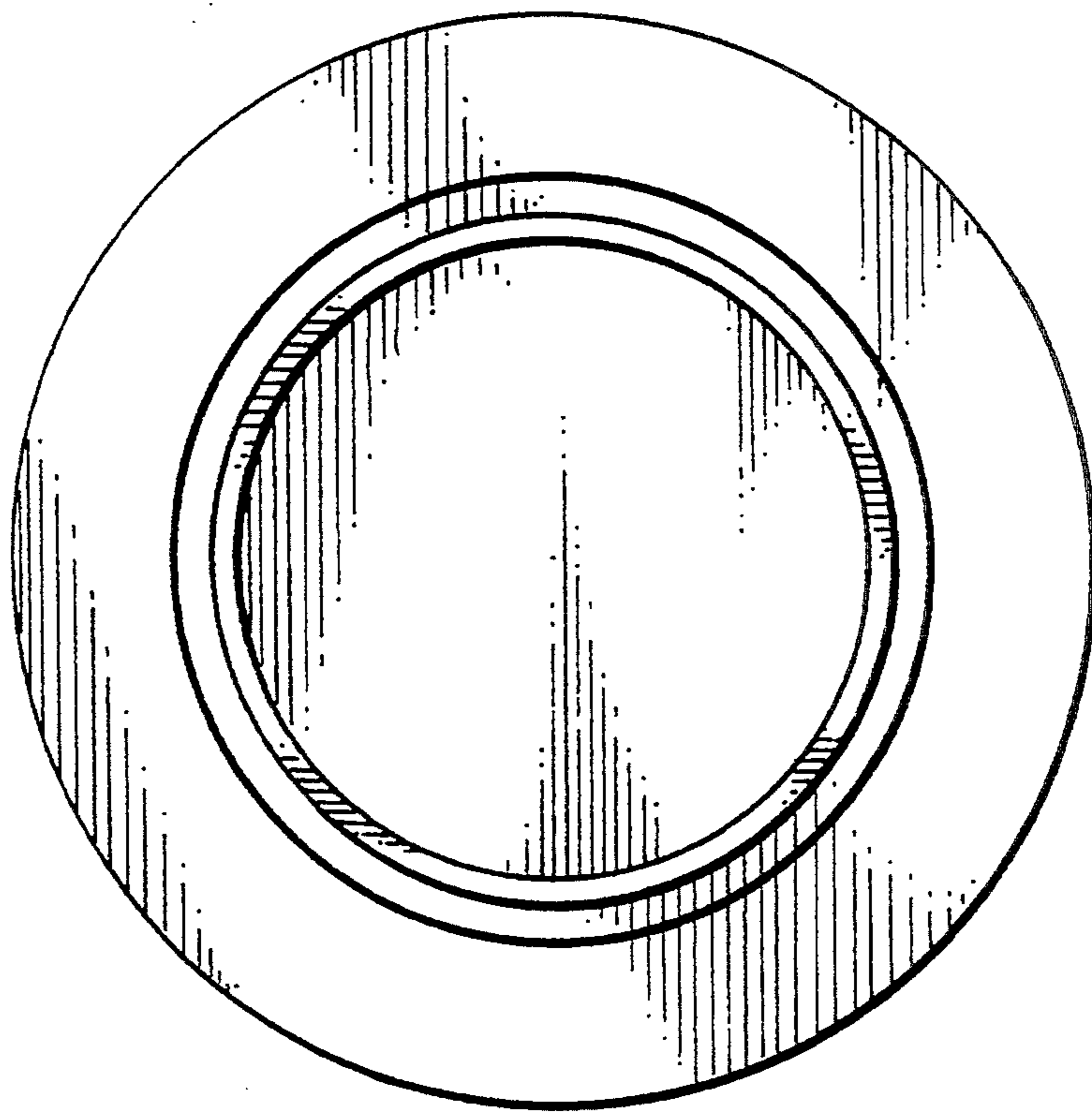


FIG. 6