



US00D358676S

# United States Patent [19]

[11] Patent Number: **Des. 358,676**

Roberts et al.

[45] Date of Patent: **\*\* May 23, 1995**

[54] PURSE LIGHT

D. 337,171 7/1993 Yuen ..... D26/37

[75] Inventors: **Stephen A. Roberts**, Costa Mesa, Calif.; **Leo B. Roberts**, St. Louis, Mo.

*Primary Examiner*—James M. Gandy  
*Assistant Examiner*—Marcus Jackson  
*Attorney, Agent, or Firm*—Polster, Lieder, Woodruff & Lucchesi

[73] Assignee: **Roberts Marketing Co.**, St. Louis, Mo.

[57] **CLAIM**

[\*\*] Term: **14 Years**

The ornamental design for purse light, as shown and described.

[21] Appl. No.: **6,513**

**DESCRIPTION**

[22] Filed: **Mar. 29, 1993**

[52] U.S. Cl. .... **D26/37**

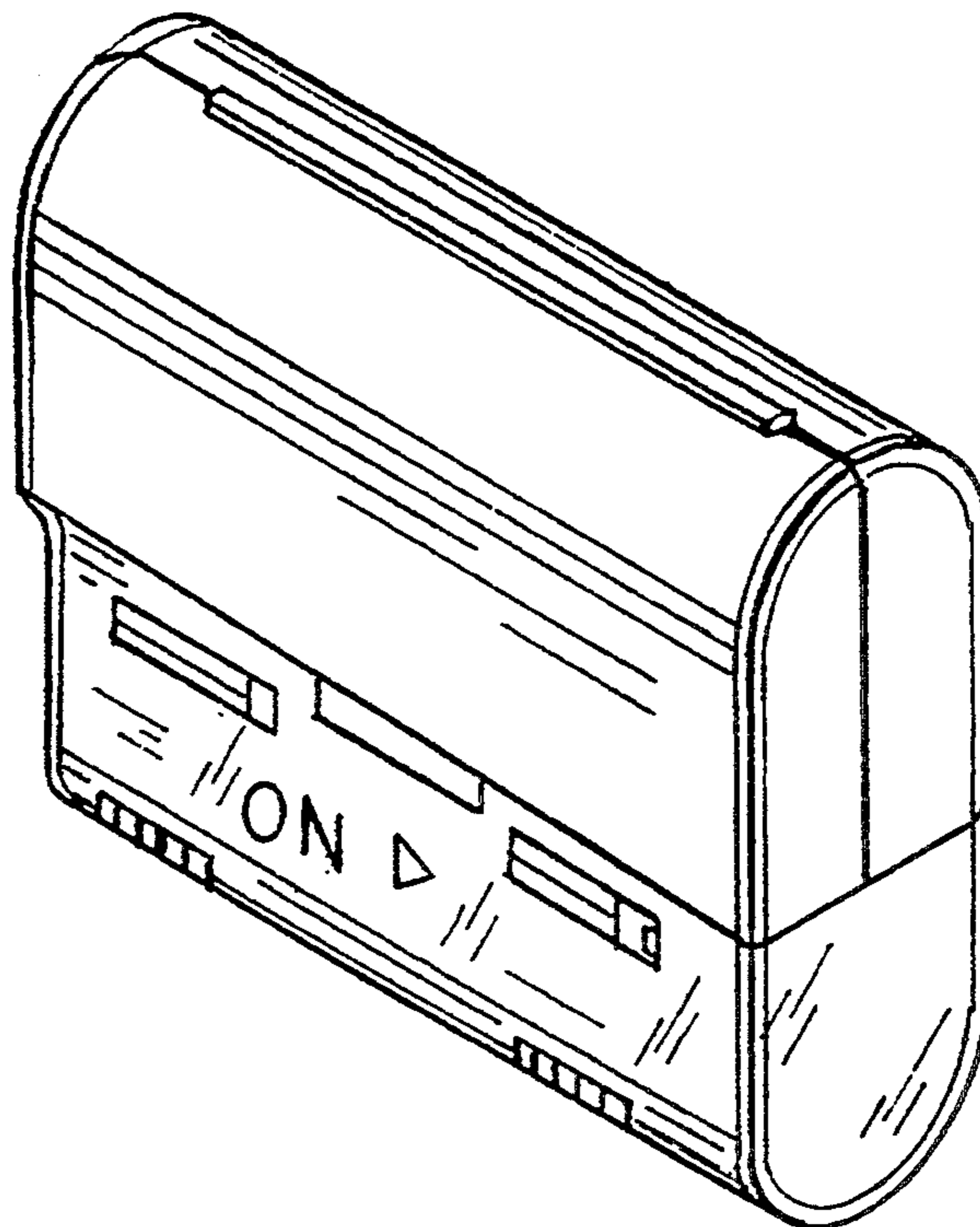
[58] Field of Search ..... **D26/37-50;**  
**362/157, 158, 156, 108, 109, 103, 183-208**

FIG. 1 is a perspective view of a purse light showing our new design;  
FIG. 2 is a view in front elevation;  
FIG. 3 is a bottom plan view;  
FIG. 4 is an end view, as viewed from left to right of FIG. 2;  
FIG. 5 is an end view of the end opposite that shown in FIG. 4;  
FIG. 6 is a top plan view; and,  
FIG. 7 is a view in rear elevation.

[56] **References Cited**

**U.S. PATENT DOCUMENTS**

- D. 324,922 3/1992 Van Elk et al. .... D26/37
- D. 327,954 1/1992 Lawrence ..... D26/37
- D. 336,531 6/1993 Kwong ..... D26/37



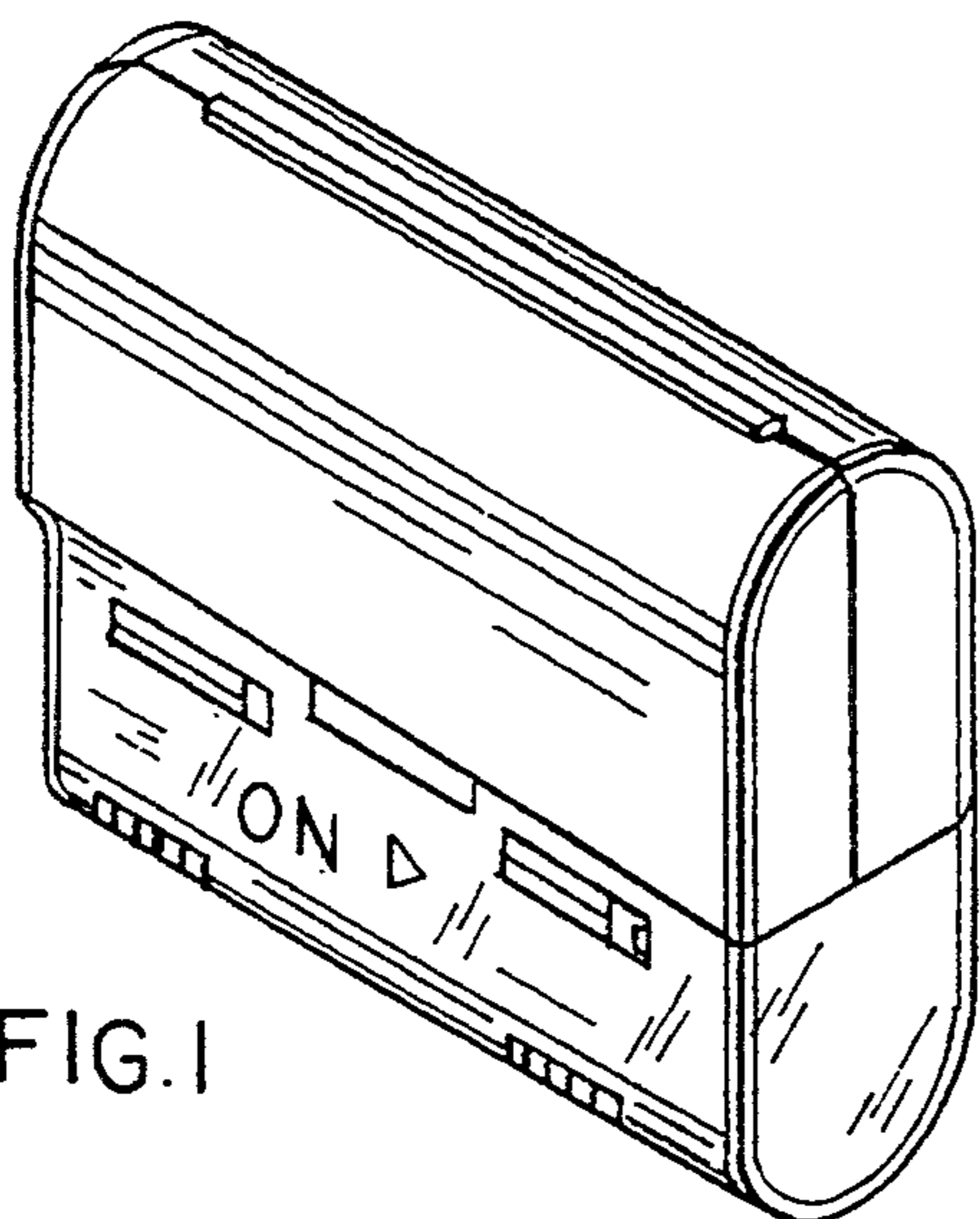


FIG. 1

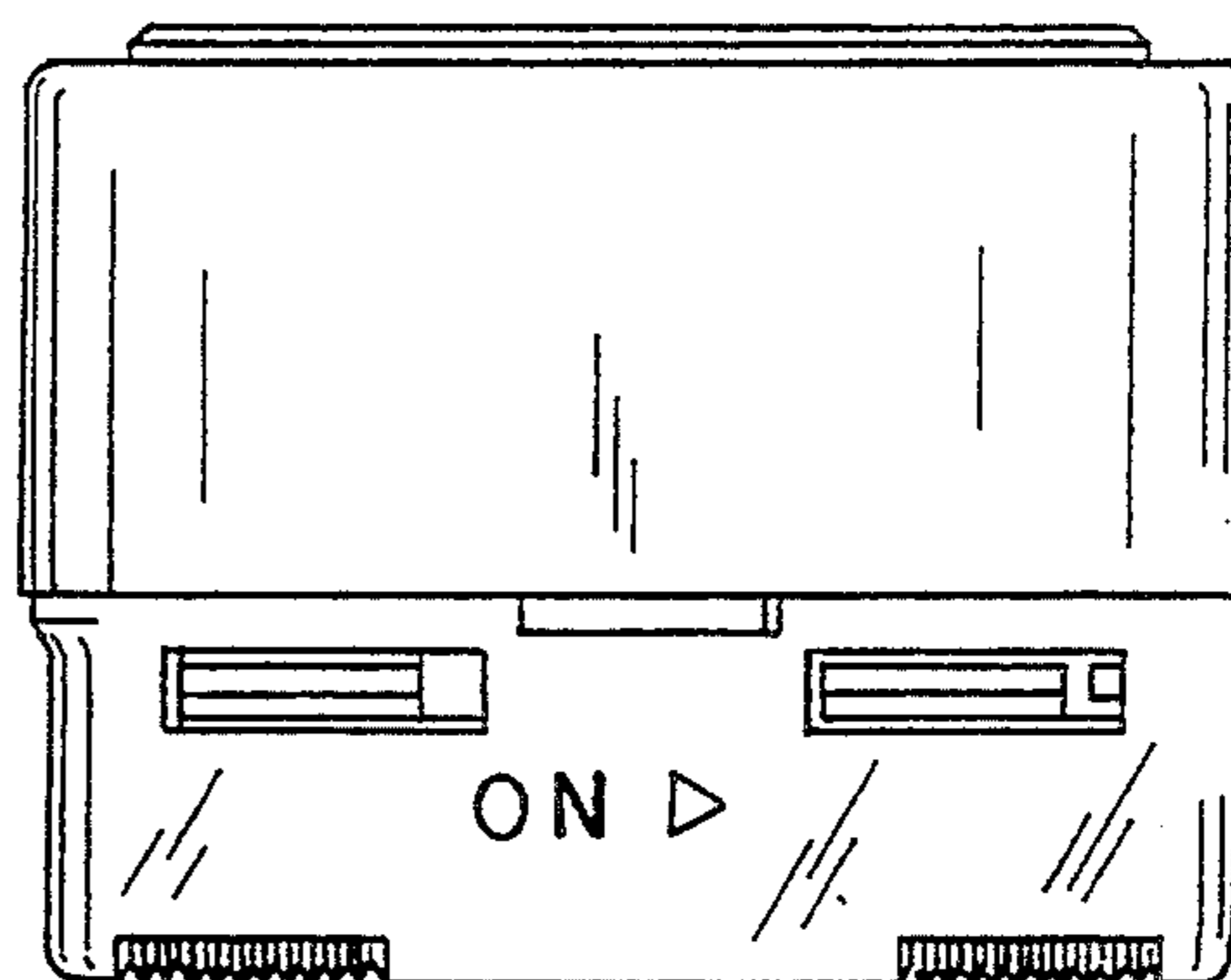


FIG. 2

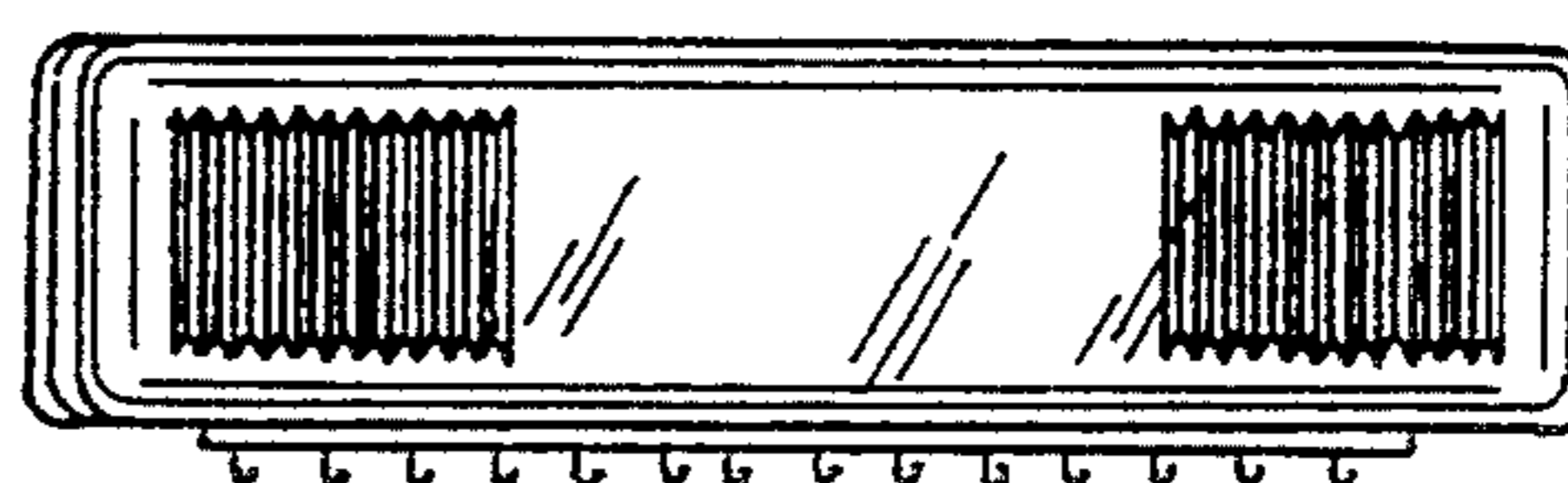


FIG. 3

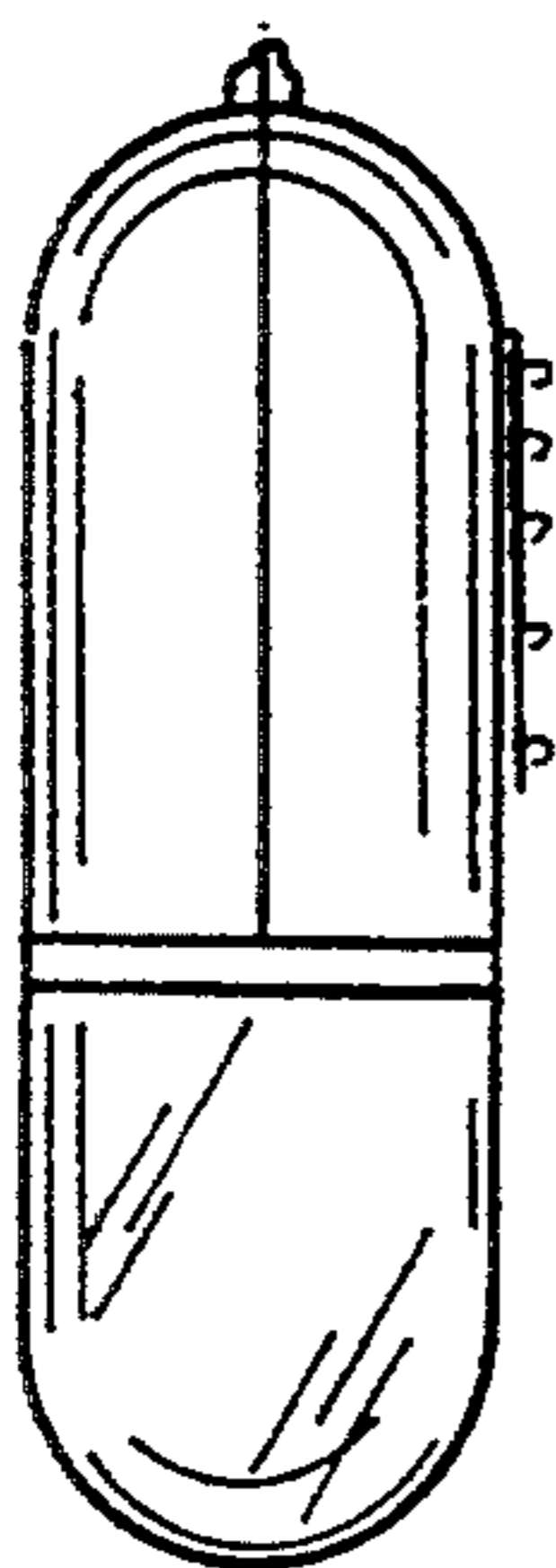


FIG. 4

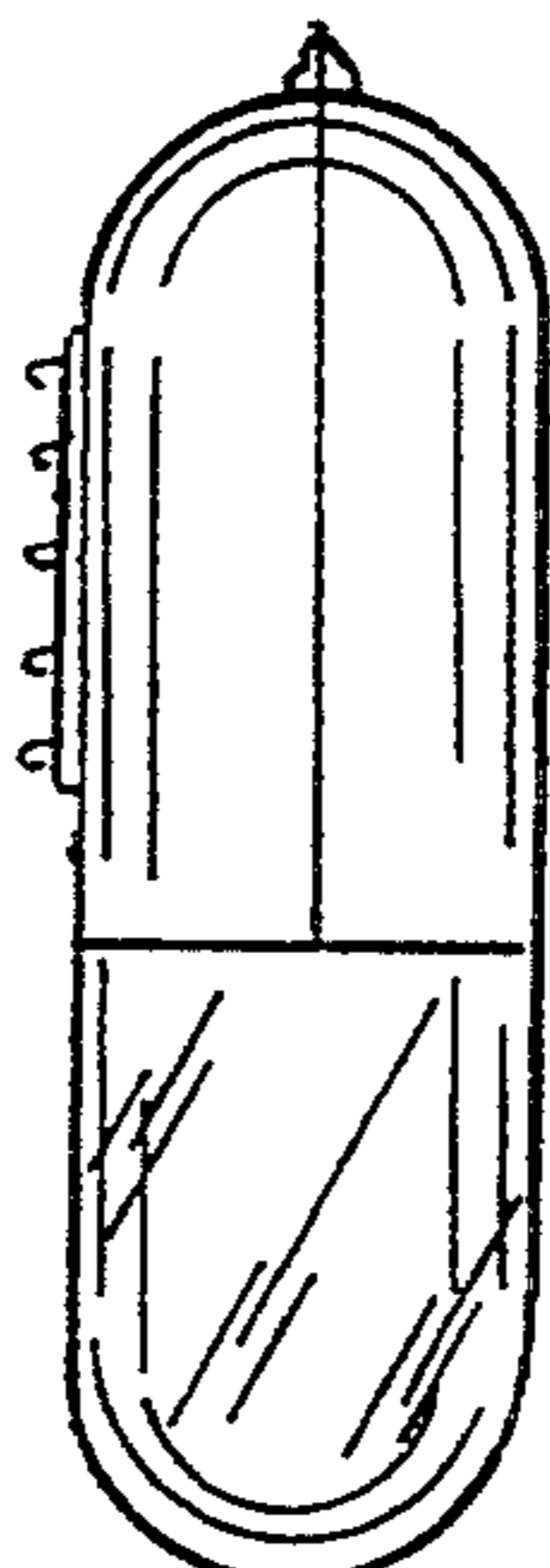


FIG. 5

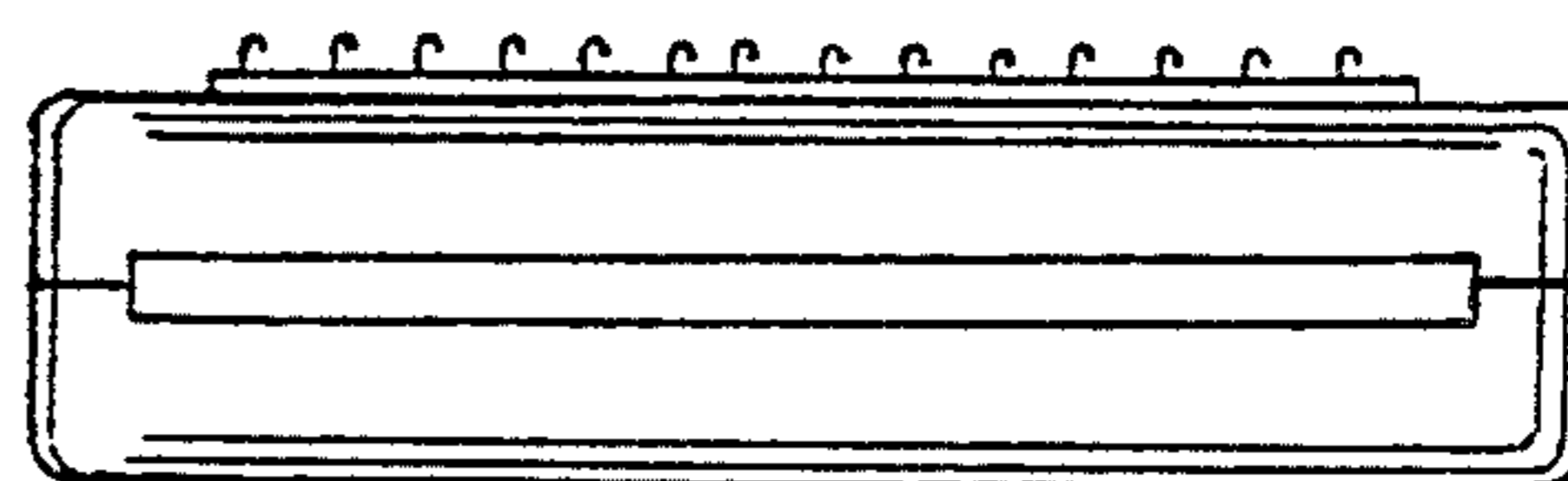


FIG. 6

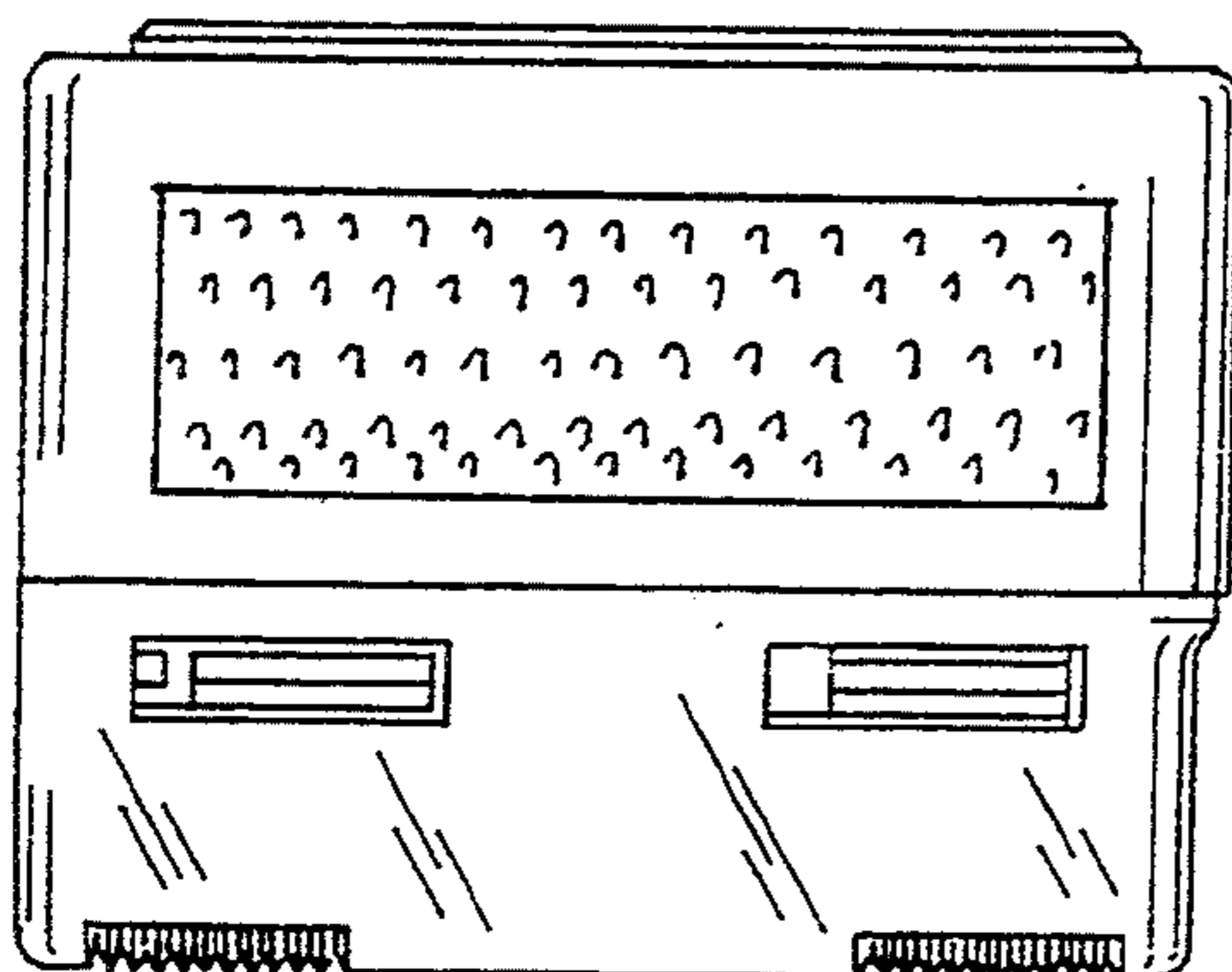


FIG. 7