



US00D358673S

United States Patent [19]

[11] Patent Number: **Des. 358,673**

Thompson

[45] Date of Patent: **** May 23, 1995**

[54] **READY TO HANG CHRISTMAS TREE LIGHTS**

2,047,045	7/1936	Veenboer	362/806 X
2,474,356	6/1949	Harris	362/806 X
3,770,951	11/1973	Corelli et al.	362/123 X
4,209,824	6/1980	Kaufman	362/806 X
4,736,282	4/1988	Ahroni	362/123

[76] Inventor: **Morris Thompson, P.O. Box 2201, Rocky Mount, N.C. 27801**

[**] Term: **14 Years**

Primary Examiner—Susan J. Lucas

[21] Appl. No.: **16,344**

[57] CLAIM

[22] Filed: **Dec. 14, 1993**

The ornamental design for a ready to hang Christmas tree lights, as shown and described.

[52] U.S. Cl. **D26/25; D11/121; D11/124**

DESCRIPTION

[58] Field of Search **D26/25; 362/123, 806, 362/122, 235, 236, 249, 250, 252; D11/121, 122, 125, 124**

FIG. 1 is a front elevational view of the ready to hang Christmas tree lights showing my new design; FIG. 2 is a rear elevational view thereof; FIG. 3 is a left side elevational view thereof; FIG. 4 is a right side elevational view thereof; FIG. 5 is a top plan view thereof; and, FIG. 6 is a bottom plan view thereof.

[56] References Cited

U.S. PATENT DOCUMENTS

D. 287,769 1/1987 Davis D26/25

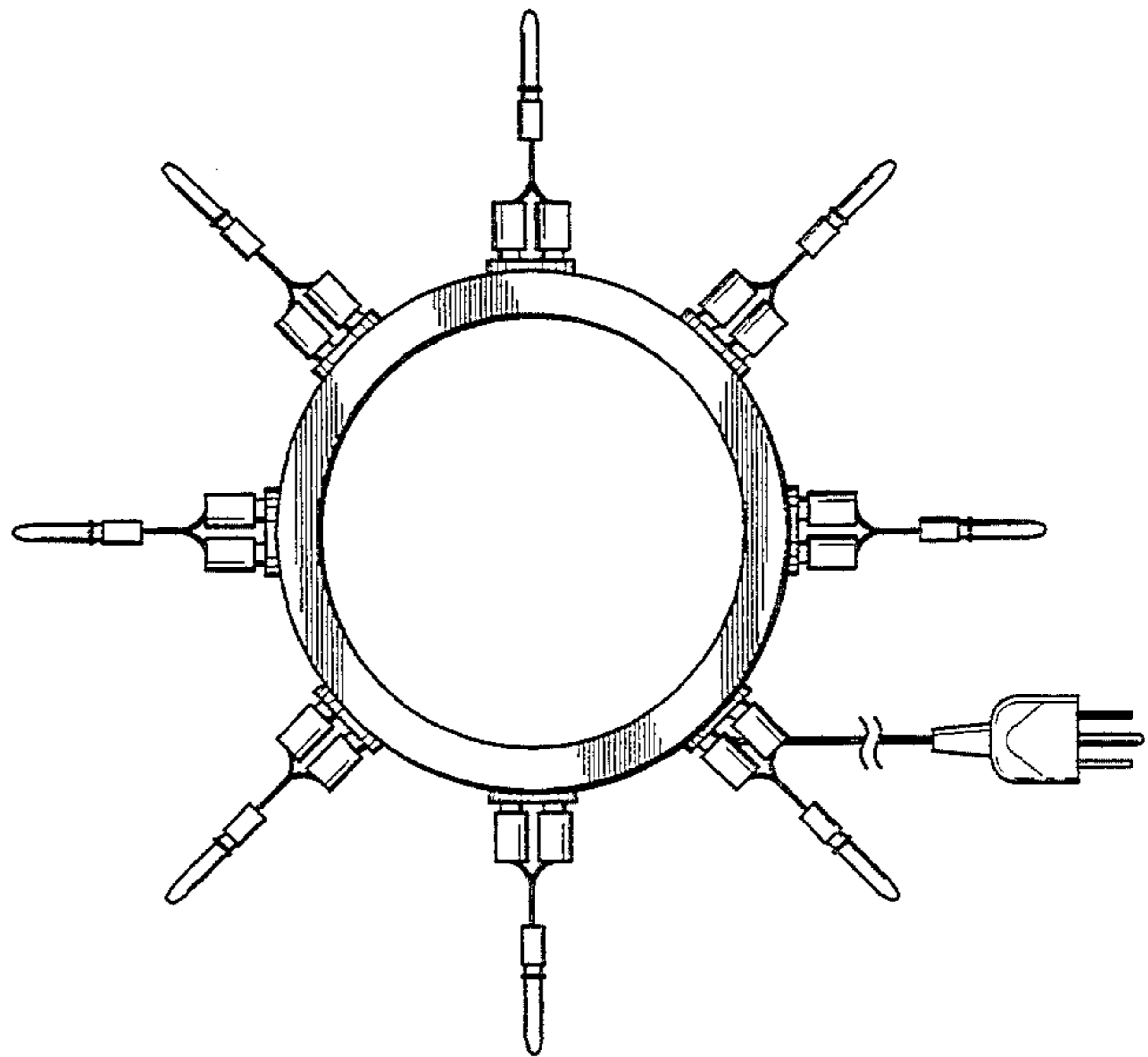
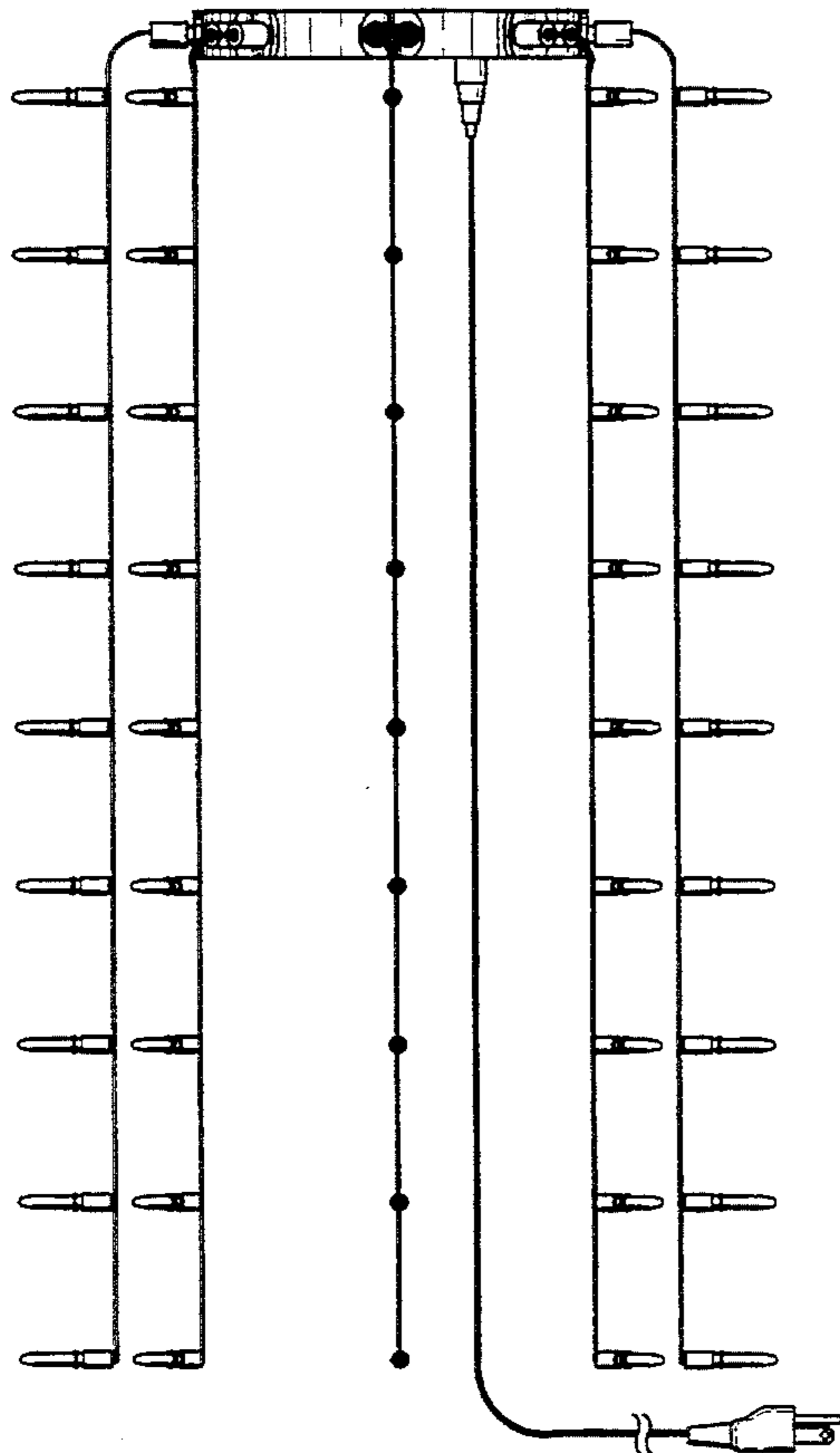


FIG. 1

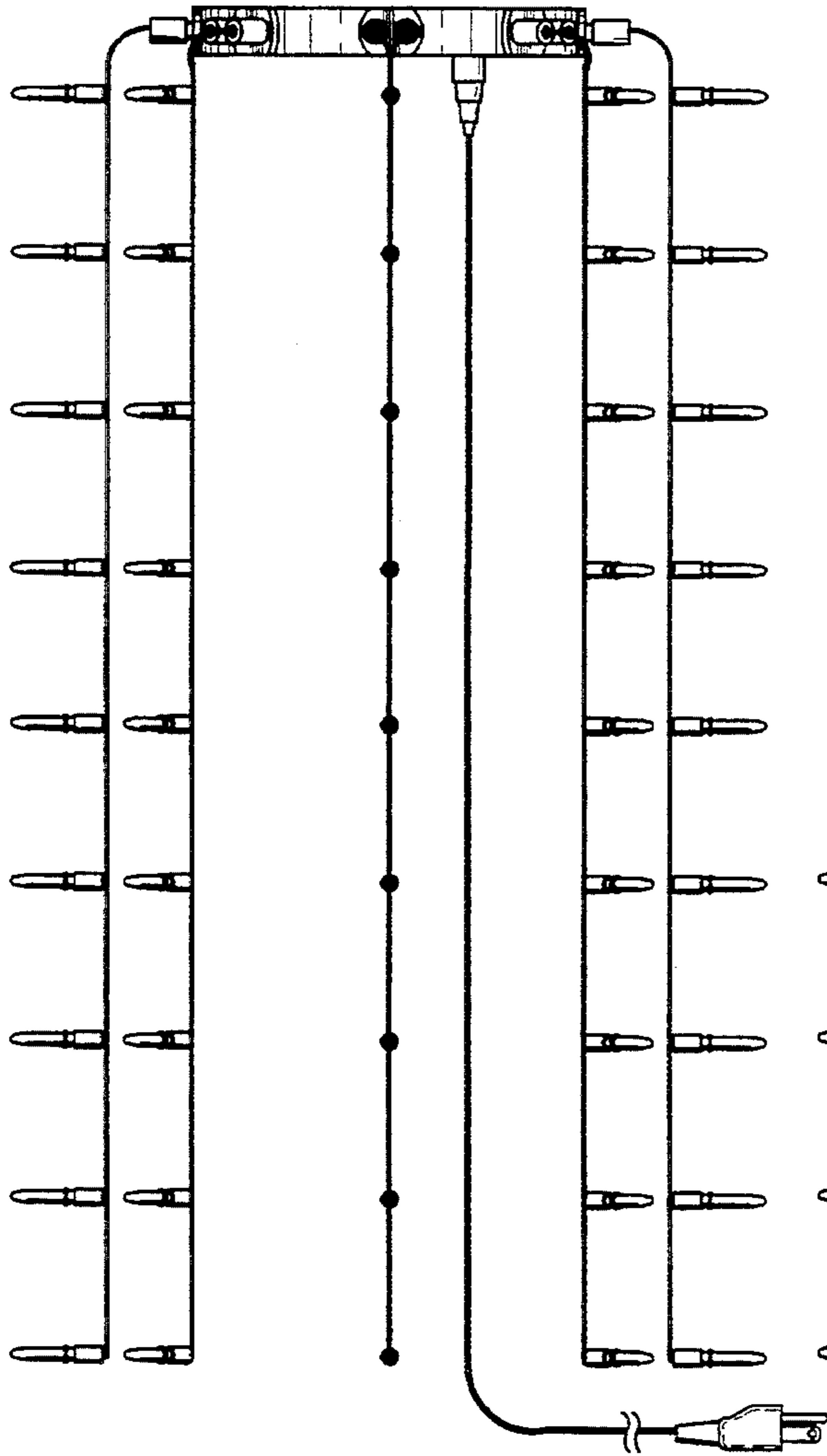


FIG. 2

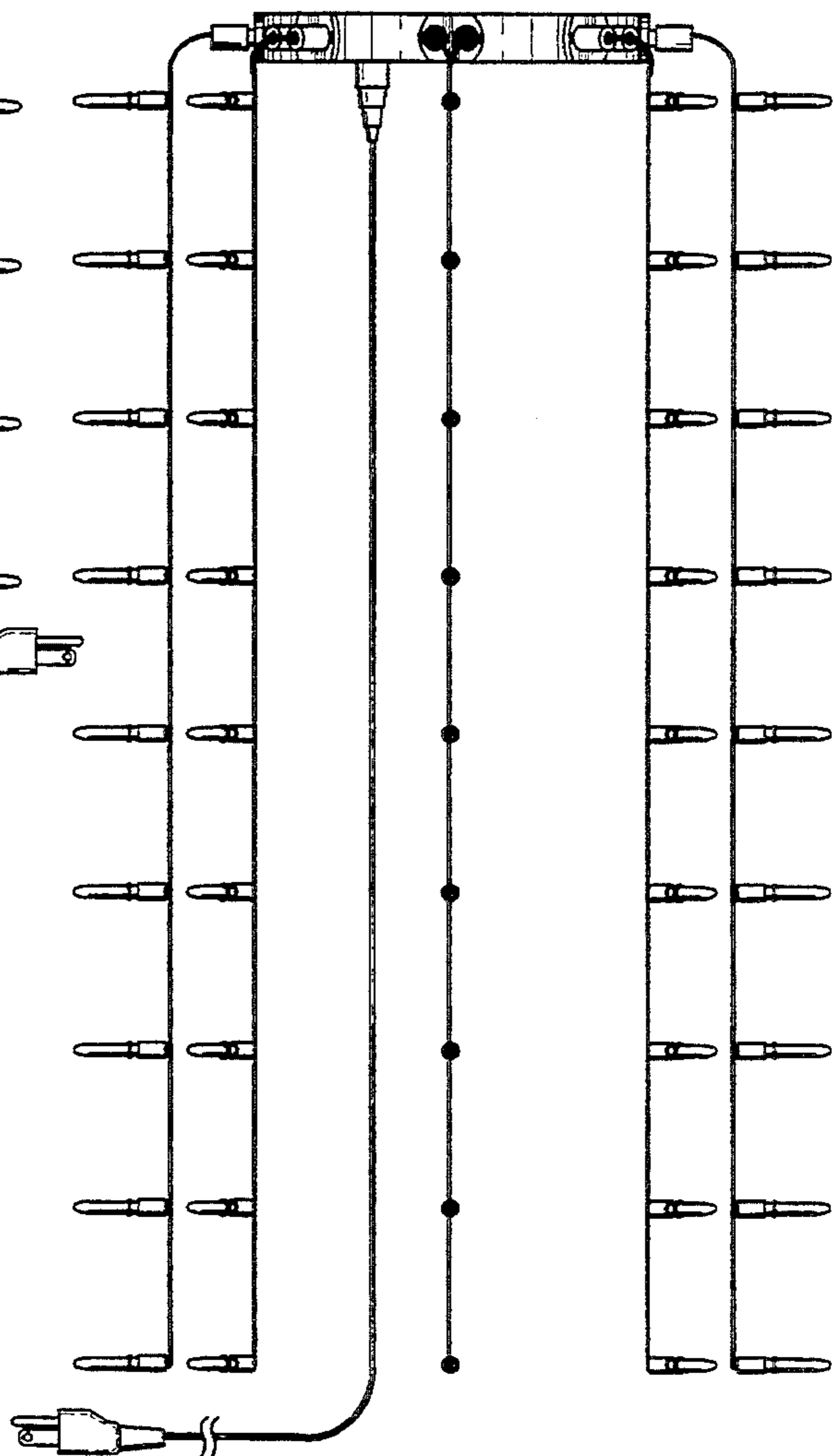


FIG. 3

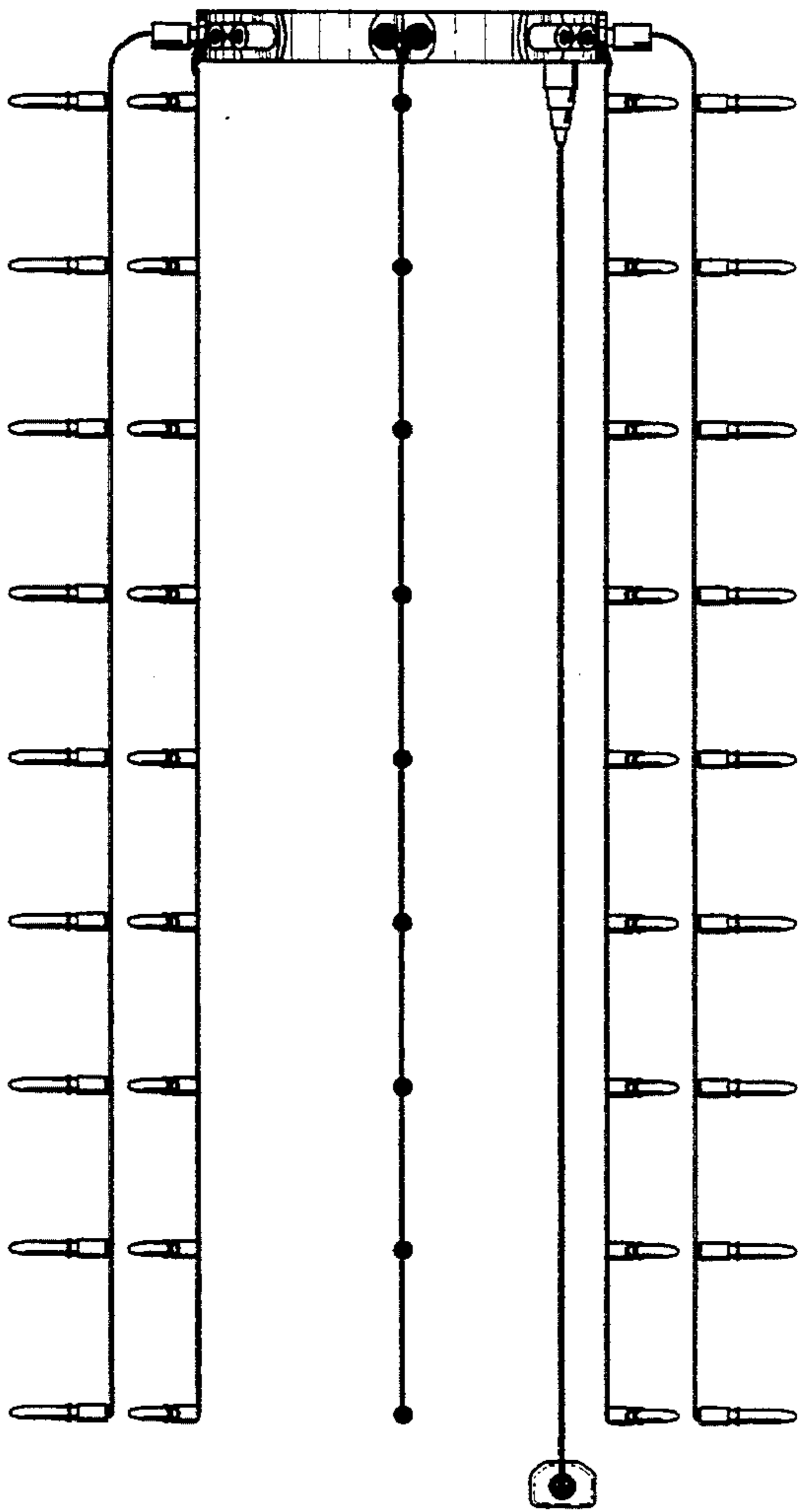


FIG. 4

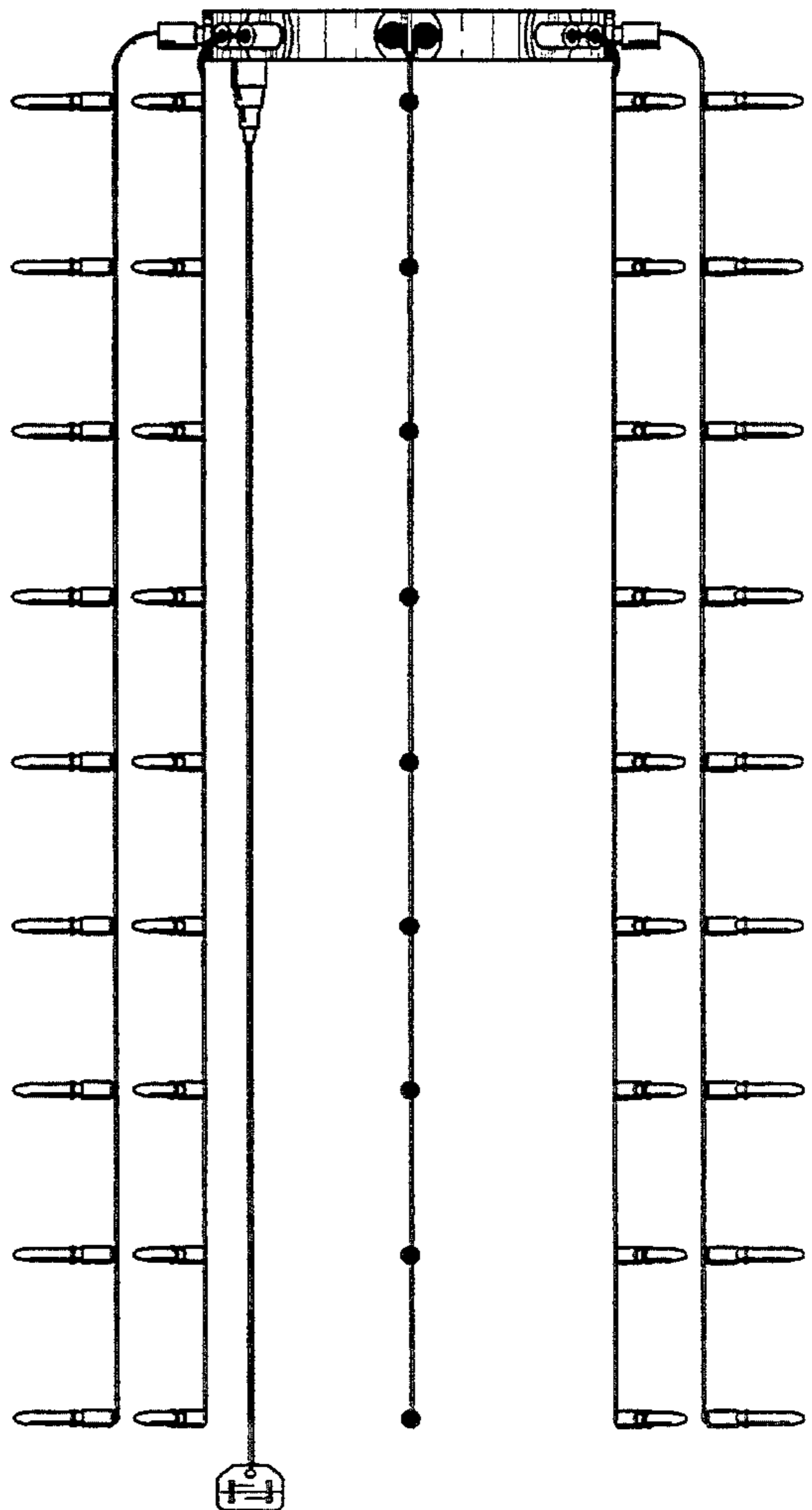


FIG. 5

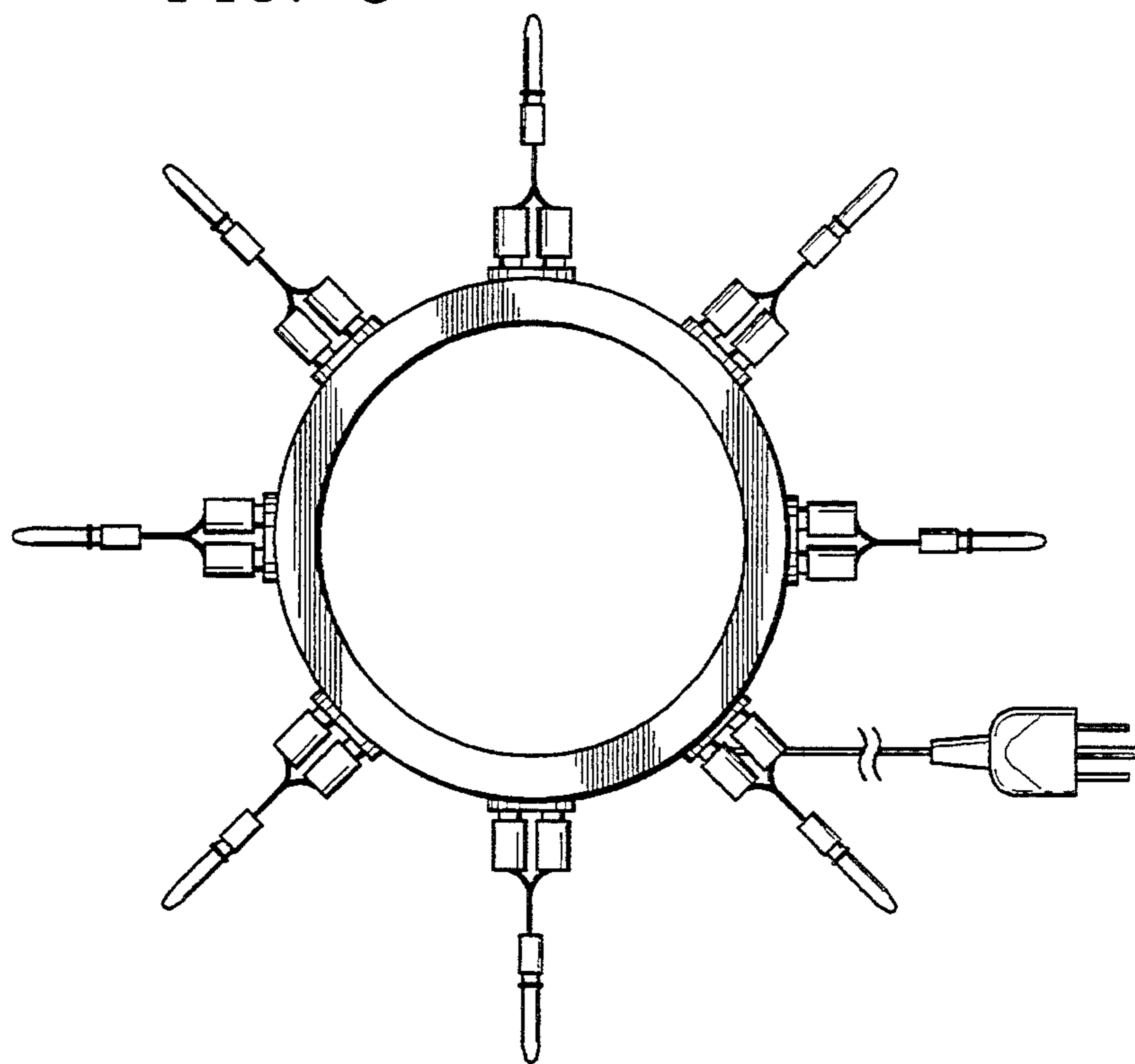


FIG. 6

