



US00D358672S

United States Patent [19]

[11] Patent Number: **Des. 358,672**

Franson

[45] Date of Patent: **** May 23, 1995**

[54] WINDOW COMPONENT EXTRUSION

[56] References Cited

[75] Inventor: **Jeffrey R. Franson, Kent, Wash.**

U.S. PATENT DOCUMENTS

D. 283,357 4/1986 Bancroft D25/125
3,057,023 10/1962 Hewit 52/204.51

[73] Assignee: **Mikron Industries, Kent, Wash.**

Primary Examiner—Doris Clark
Attorney, Agent, or Firm—Seed and Berry

[**] Term: **14 Years**

[57] CLAIM

[21] Appl. No.: **19,726**

The ornamental design for a window component extrusion, as shown and described.

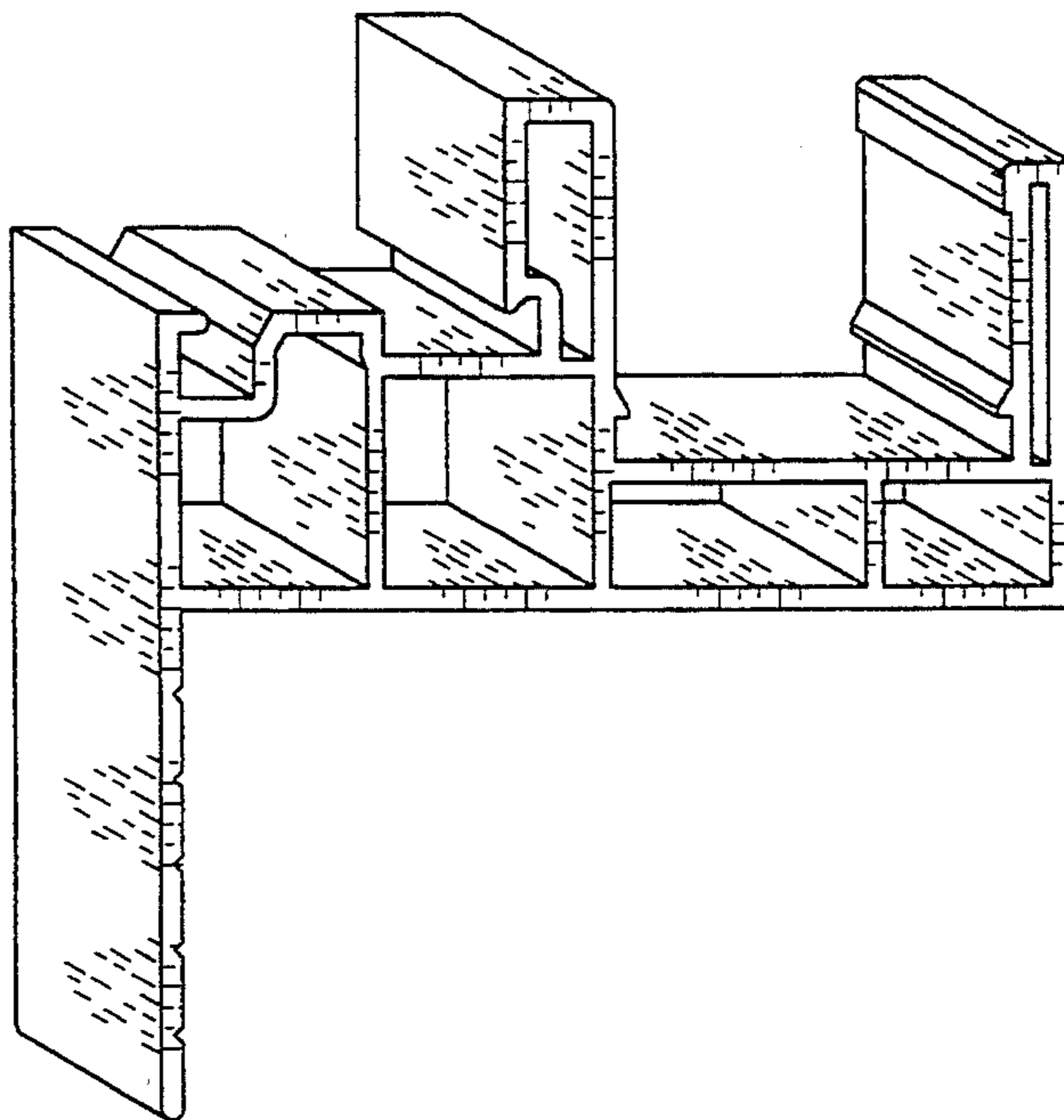
[22] Filed: **Mar. 9, 1994**

DESCRIPTION

[52] U.S. Cl. **D25/125**

[58] Field of Search D25/60, 52, 124, 125;
49/DIG. 2, 504, 505; 52/204.5, 204.56, 204.51,
730.3, 204.1

FIG. 1 is a top right perspective view of a window component extrusion showing my new design, the window component extrusion being of indefinite length; and,
FIG. 2 is a bottom left perspective view thereof.



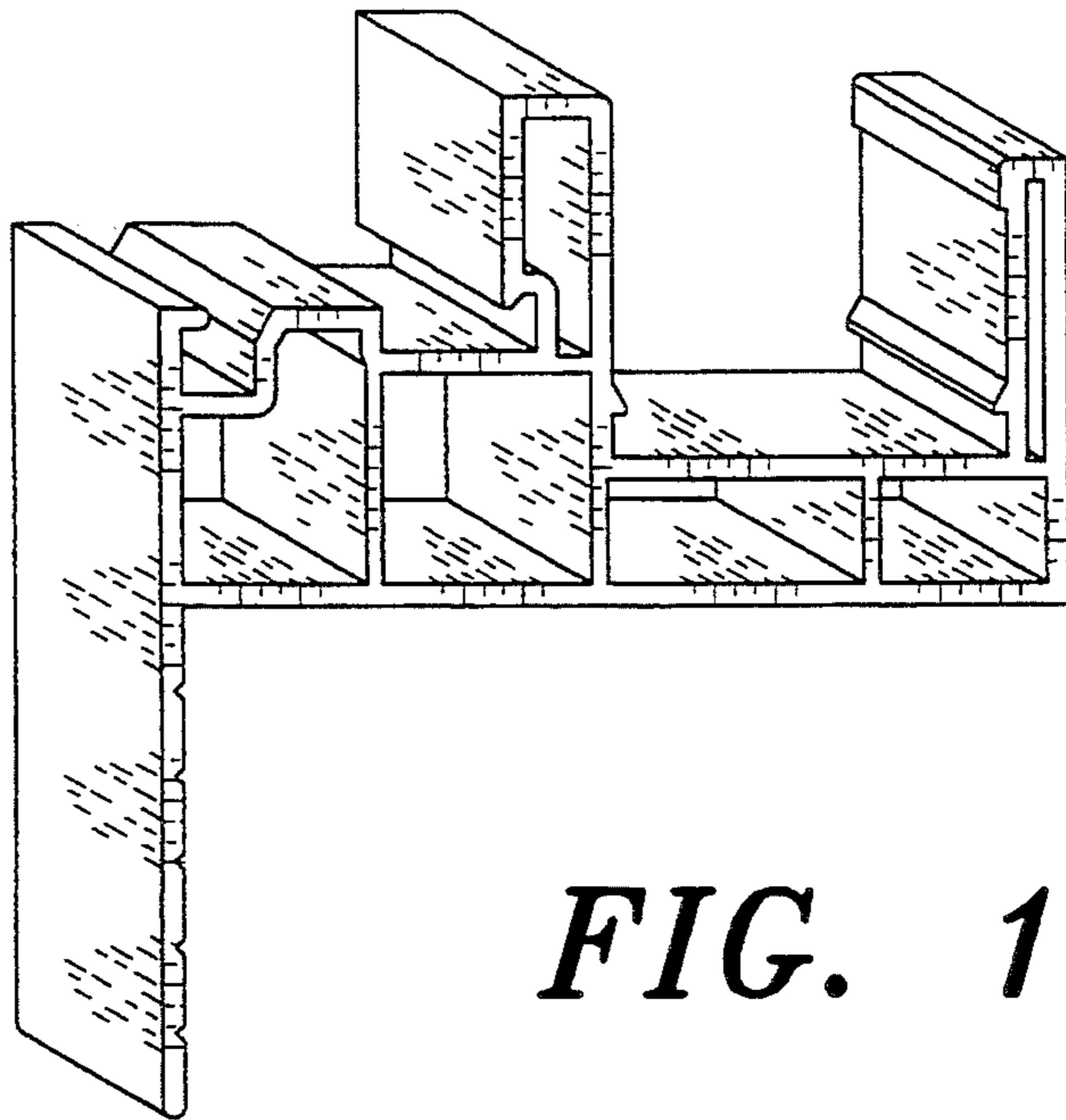


FIG. 1

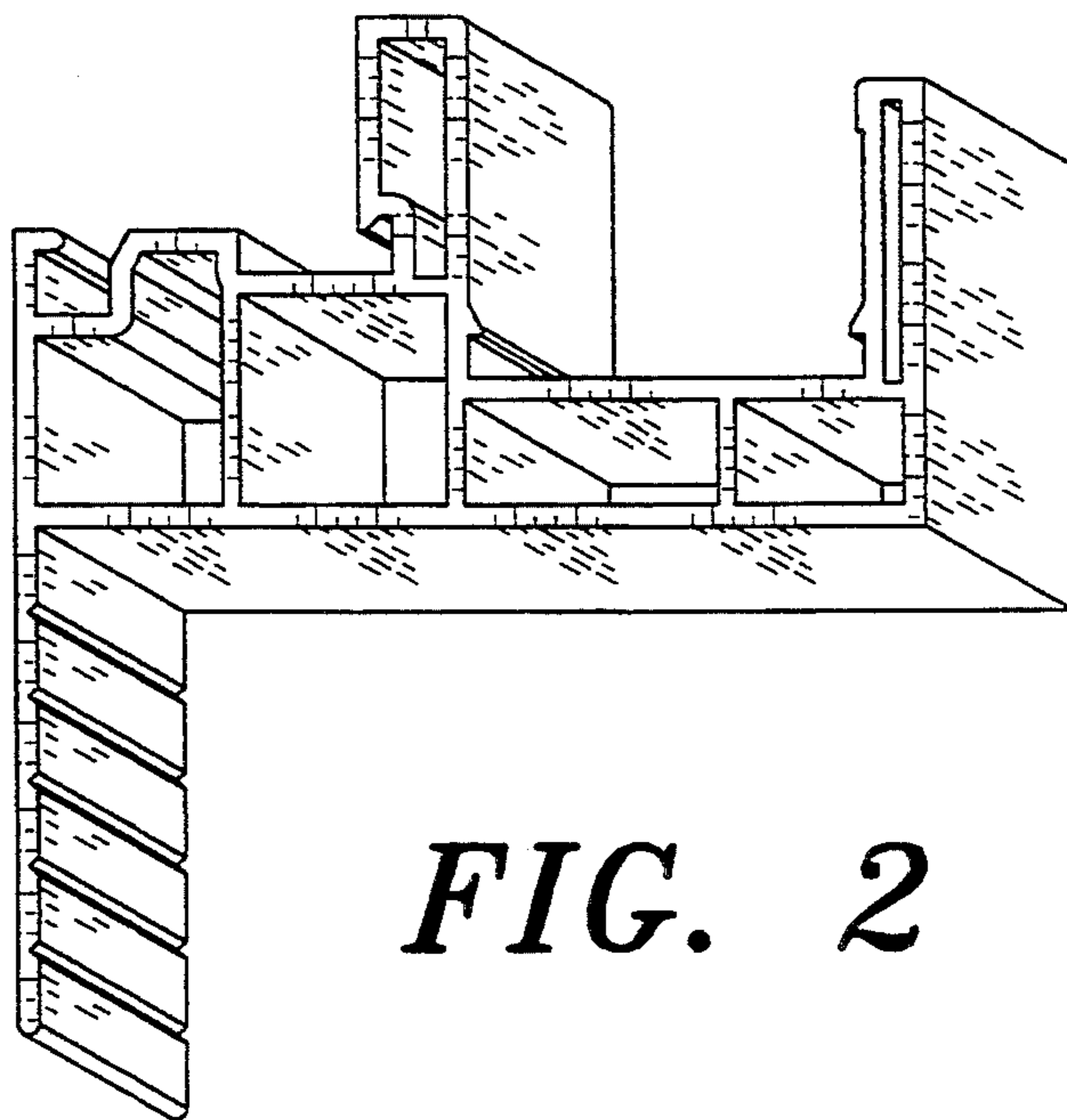


FIG. 2