



US00D358661S

United States Patent [19]

[11] Patent Number: **Des. 358,661**

Chinnis et al.

[45] Date of Patent: **** May 23, 1995**

[54] **KIOSK**

[75] Inventors: **Stephen P. Chinnis**, Norcross, Ga.;
Timothy G. Purdy, St. Charles, Mo.;
Carolina L. Gill, Powder Springs, Ga.;
Willis Whiteside, Norcross, Ga.;
Robert A. Baird, Peachtree City, Ga.

[73] Assignee: **The Coca-Cola Company**, Atlanta, Ga.

[**] Term: **14 Years**

[21] Appl. No.: **10,813**

[22] Filed: **Jul. 19, 1993**

[52] U.S. Cl. **D25/16**

[58] Field of Search **D25/10, 18, 16, 33;**
52/64, 66, 74, 36

[56] **References Cited**

U.S. PATENT DOCUMENTS

D. 94,042	12/1934	Mowrer	D25/10
D. 103,388	3/1937	Clapp	D25/18
D. 181,112	10/1957	Smith	D25/33
D. 197,766	3/1964	Roxburgh	D25/33

(List continued on next page.)

Primary Examiner—A. Hugo Word
Assistant Examiner—Doris V. Coles
Attorney, Agent, or Firm—Thomas R. Boston; Lynne R. O'Brien

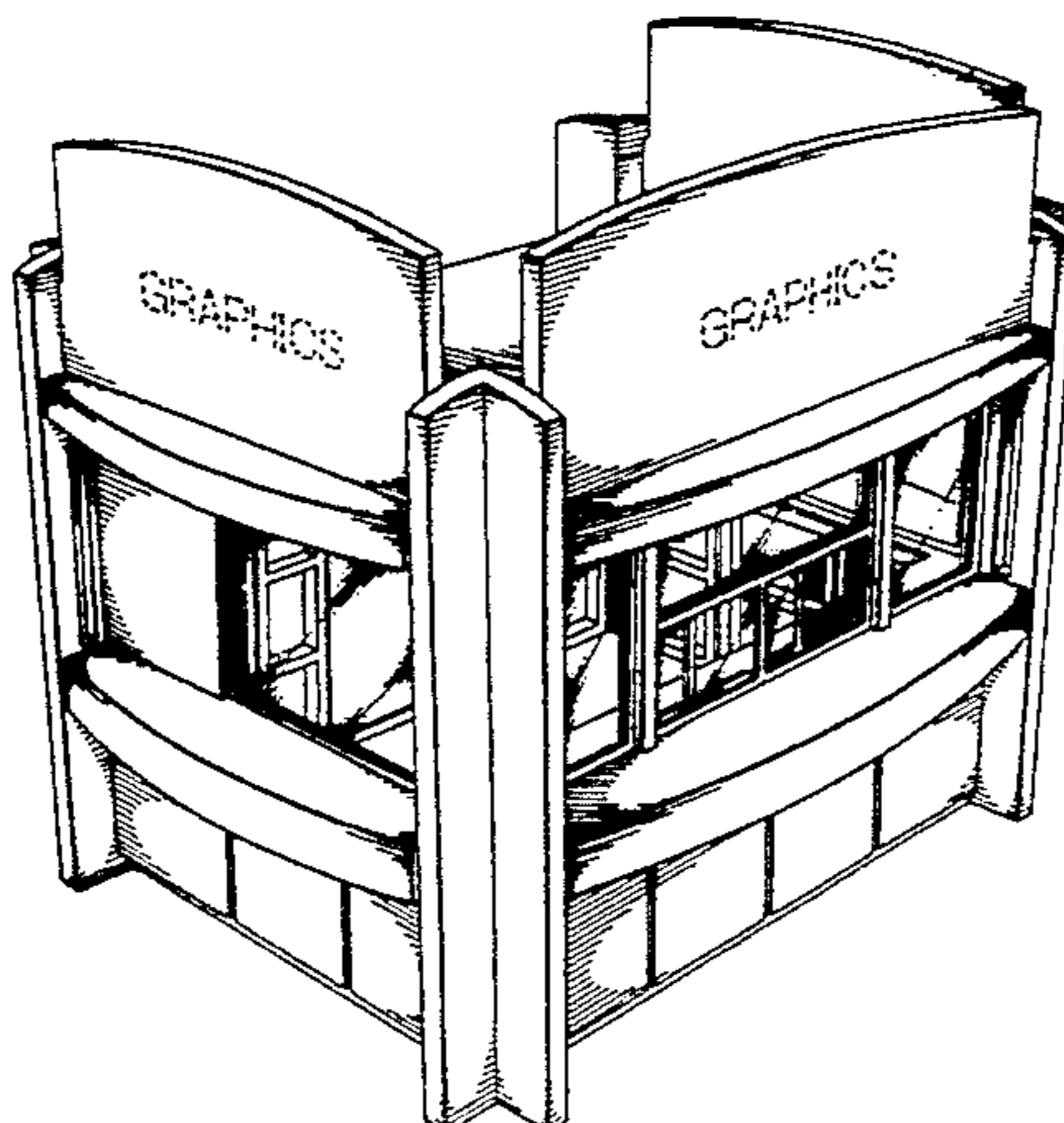
[57] **CLAIM**

The ornamental design for a kiosk, as shown and described.

DESCRIPTION

FIG. 1 is a top front left side perspective view of a kiosk showing our new design;
FIG. 2 is a left side elevational view thereof;
FIG. 3 is a front side elevational view thereof;
FIG. 4 is a right side elevational view thereof;
FIG. 5 is a rear side elevational view thereof;
FIG. 6 is a top plan view thereof;
FIG. 7 is a cross-sectional side view through the kiosk taken along line 7—7 of FIG. 6;
FIG. 8 is a top, front, left side perspective view in the closed position;

FIG. 9 is a left side elevational view thereof;
FIG. 10 is a front side elevational view thereof;
FIG. 11 is a right side elevational view thereof;
FIG. 12 is a rear side elevational view thereof;
FIG. 13 is a top plan view thereof;
FIG. 14 is a cross-sectional side view through the kiosk taken along line 14—14 of FIG. 13;
FIG. 15 is a top, front, left side perspective view of a second embodiment;
FIG. 16 is a left side elevational view thereof;
FIG. 17 is a front elevational view thereof;
FIG. 18 is a right side elevational view thereof;
FIG. 19 is a rear side elevational view thereof;
FIG. 20 is a top plan view thereof;
FIG. 21 is a cross-sectional side view through the kiosk taken along line 21—21 of FIG. 20;
FIG. 22 is a top, front, left side perspective view of the second embodiment in the closed position;
FIG. 23 is a left side elevational view thereof;
FIG. 24 is a front side elevational view thereof;
FIG. 25 is a right side elevational view thereof;
FIG. 26 is a rear side elevational view thereof;
FIG. 27 is a top plan view thereof;
FIG. 28 is a cross-sectional side view through the kiosk taken along line 28—28 of FIG. 27;
FIG. 29 is a top, front, left side perspective view of a third embodiment;
FIG. 30 is a left side elevational view thereof, the right side elevational view being a mirror image thereof;
FIG. 31 is a front side elevational view thereof;
FIG. 32 is a rear side elevational view thereof;
FIG. 33 is a top plan view thereof;
FIG. 34 is a cross-sectional side view through the kiosk taken along line 34—34 of FIG. 33;
FIG. 35 is a top, front, left side perspective view of a third embodiment in the closed position;
FIG. 36 is a left side elevational view thereof, the right side elevational view being a mirror image thereof;
FIG. 37 is a front side elevational view thereof;
FIG. 38 is a rear side elevational view thereof;
FIG. 39 is a top plan view thereof; and,
FIG. 40 is a cross-sectional side view through the kiosk taken along line 40—40 of FIG. 39.
The broken line showing of the word "Graphic" in FIGS. 1-4, 8-11, 15-18, 22-25, 29-31 and 35-37 is for illustrative purposes only and forms no part of the claimed design.



Des. 358,661

Page 2

U.S. PATENT DOCUMENTS

D. 238,163	12/1975	Enderling .		D. 261,431	10/1981	Barton	D25/16 X
D. 241,735	10/1976	Goetz	D25/1	D. 313,077	12/1990	Minarro	D25/16
D. 254,327	2/1980	Tasse	D25/26	2,090,827	8/1937	Bak	52/66
D. 254,751	4/1980	Adler et al.	D25/16	4,453,350	6/1984	Schantz et al.	D25/16 X
				4,471,586	9/1984	Shuch et al.	52/36
				4,571,898	2/1986	La Cacheaux et al.	52/36

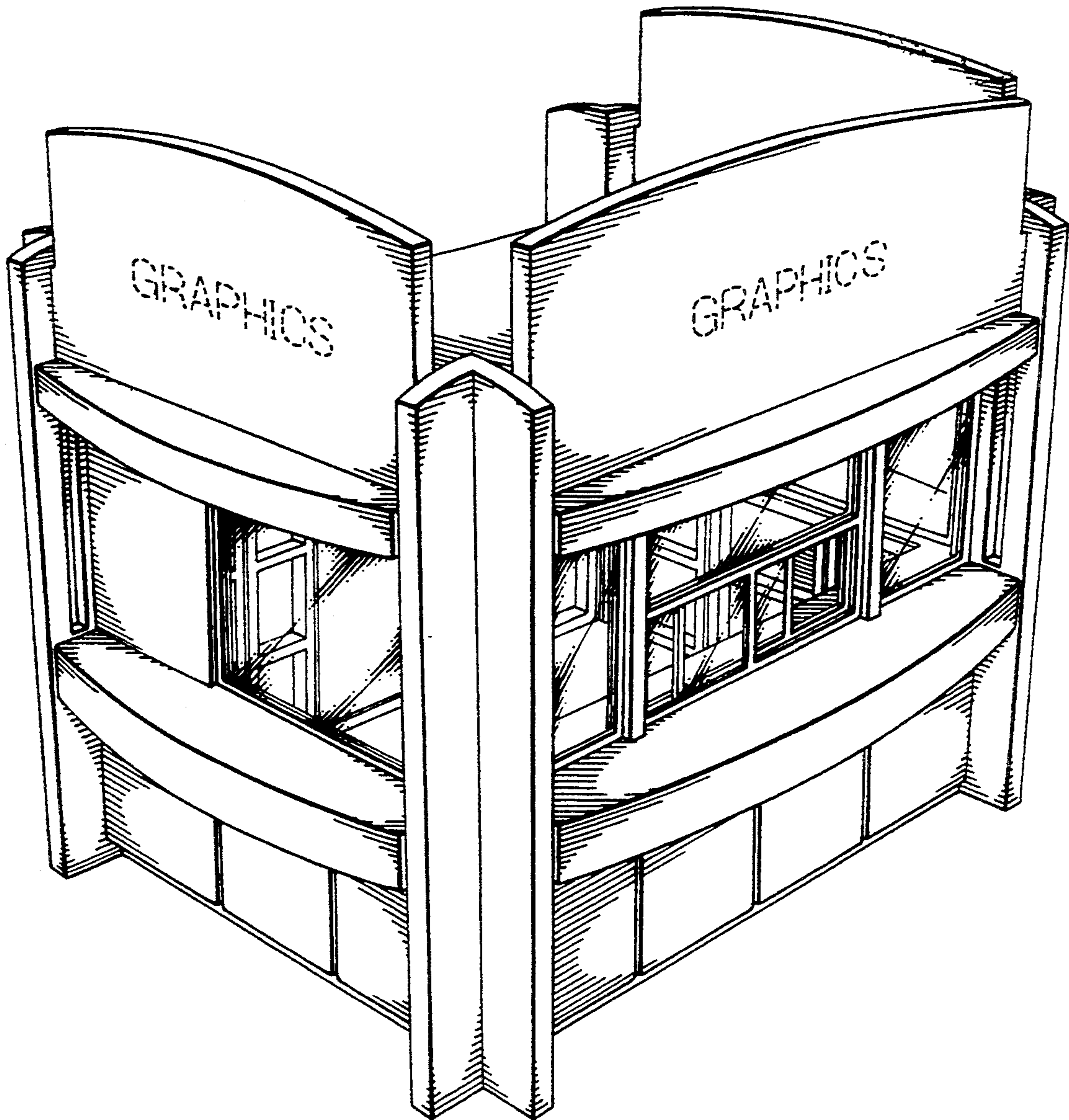


FIG 1

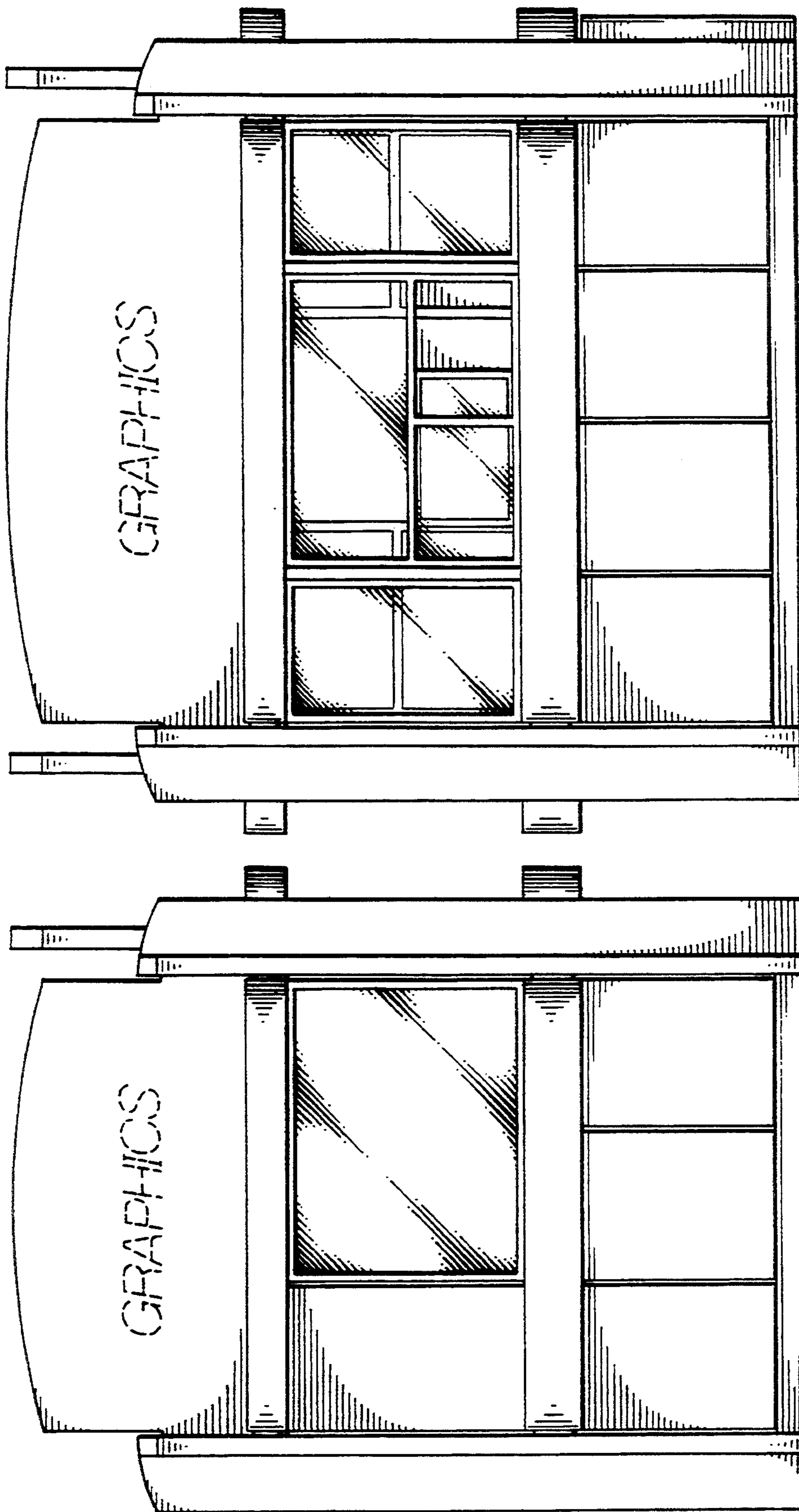


FIG 3

FIG 2

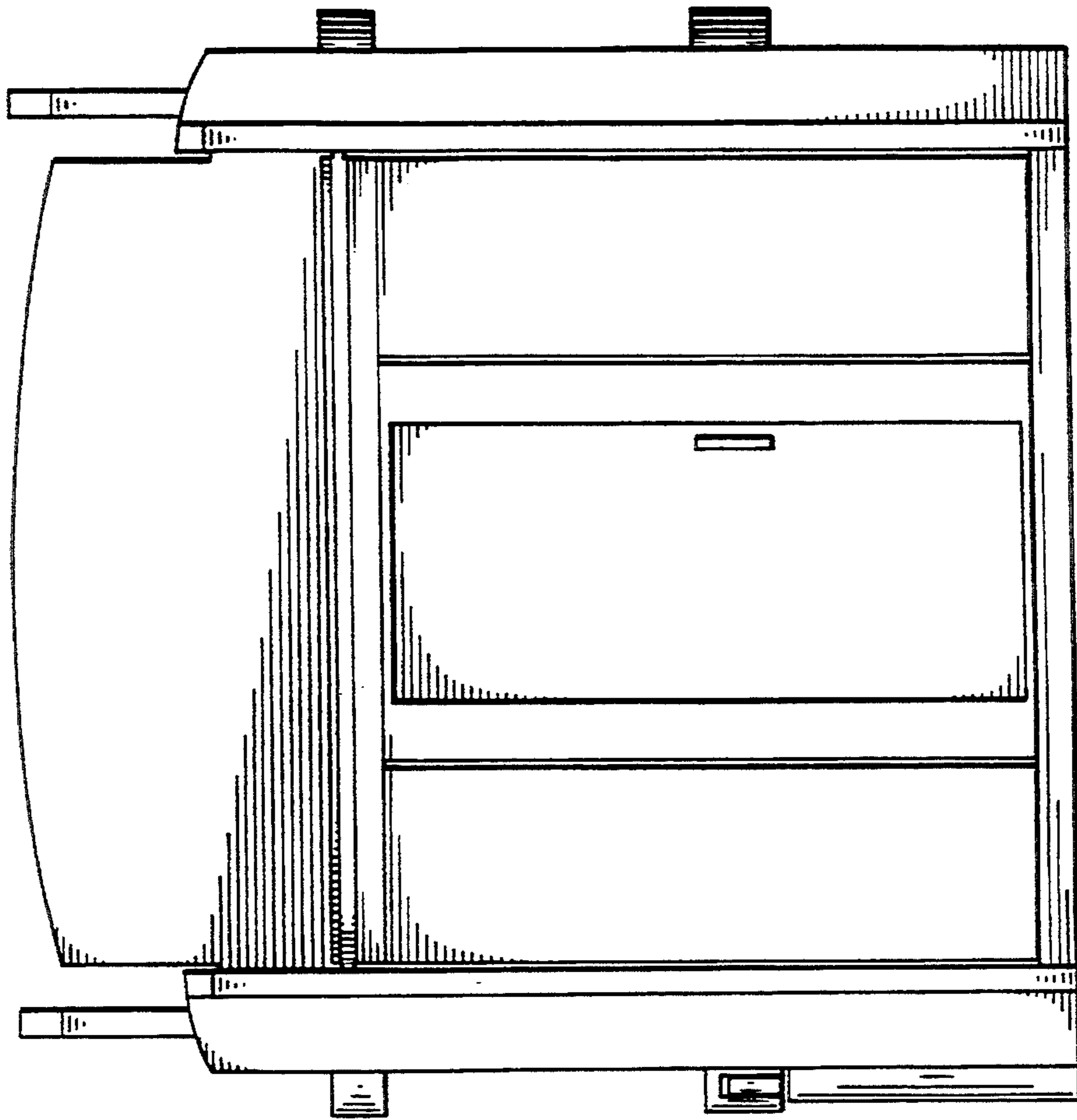


FIG 5

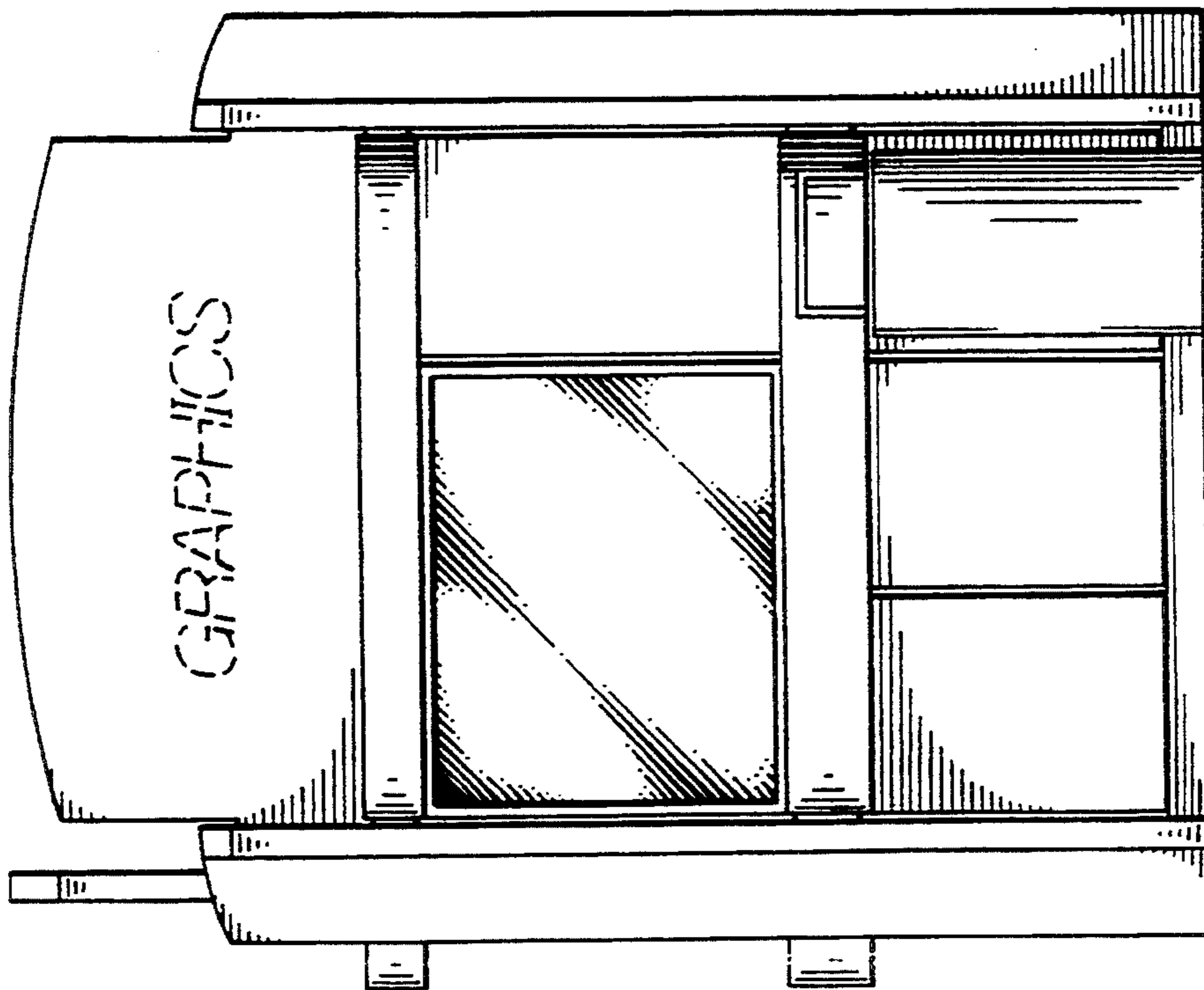


FIG 4

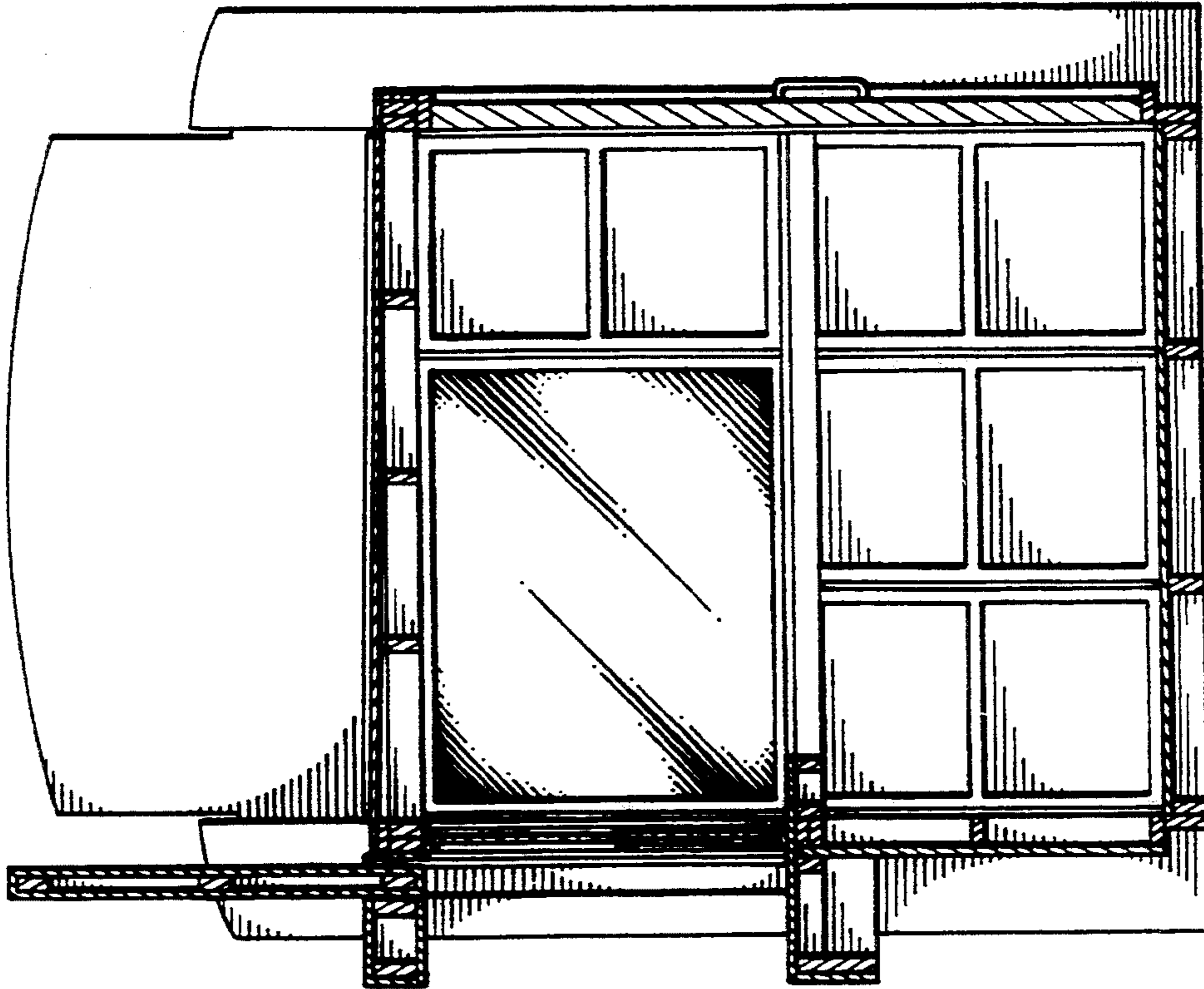


FIG 7

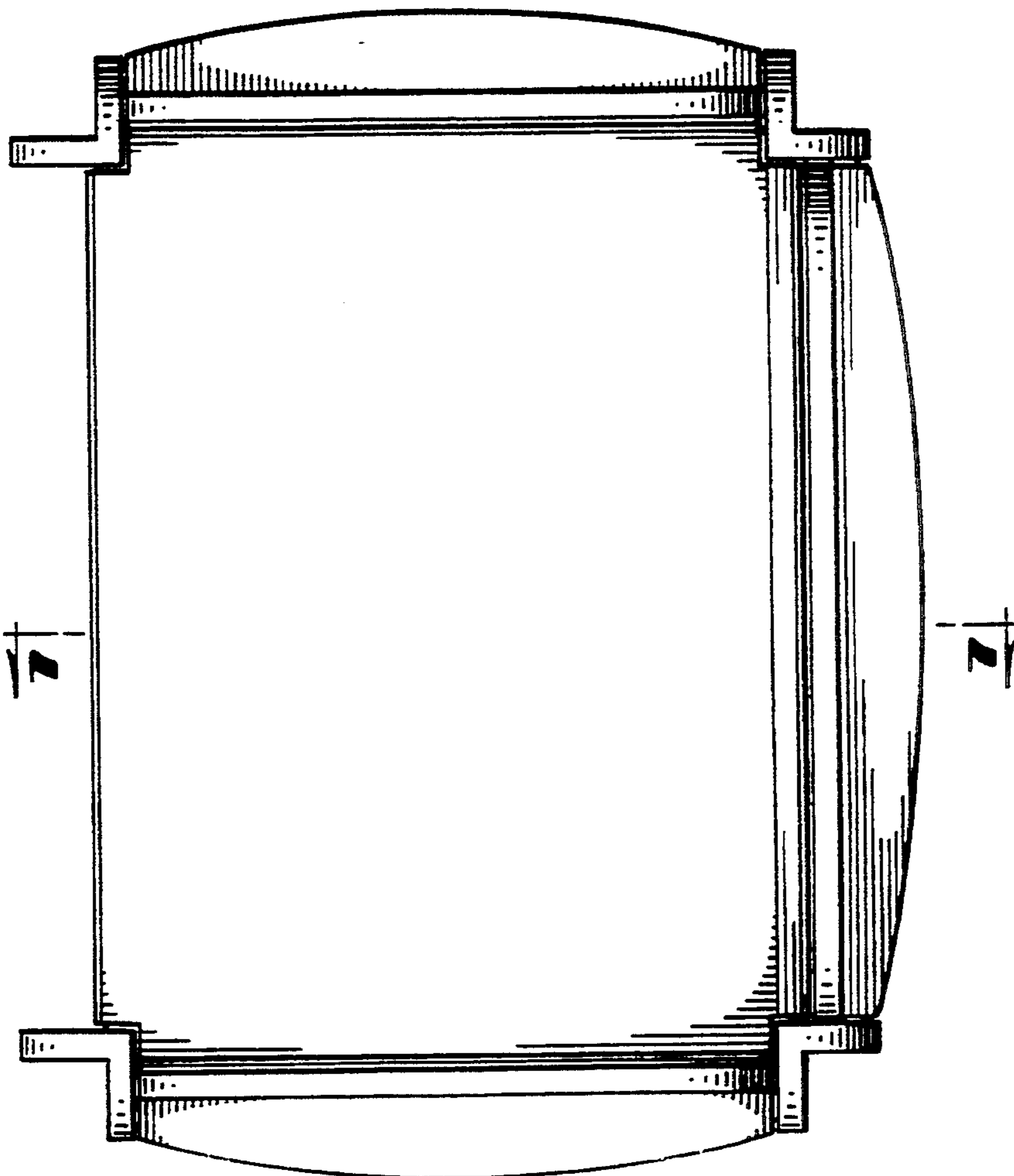


FIG 6

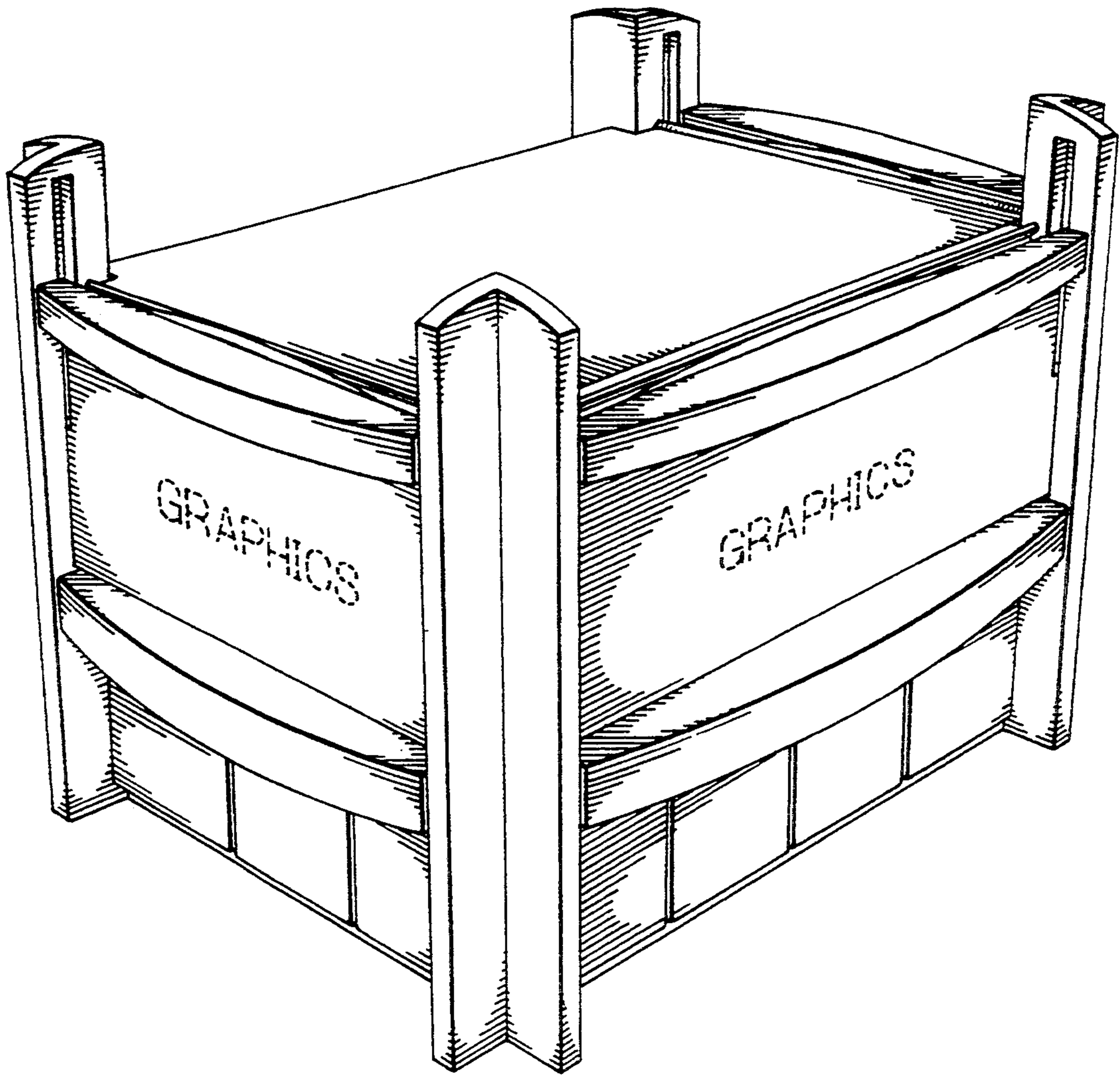


FIG 8

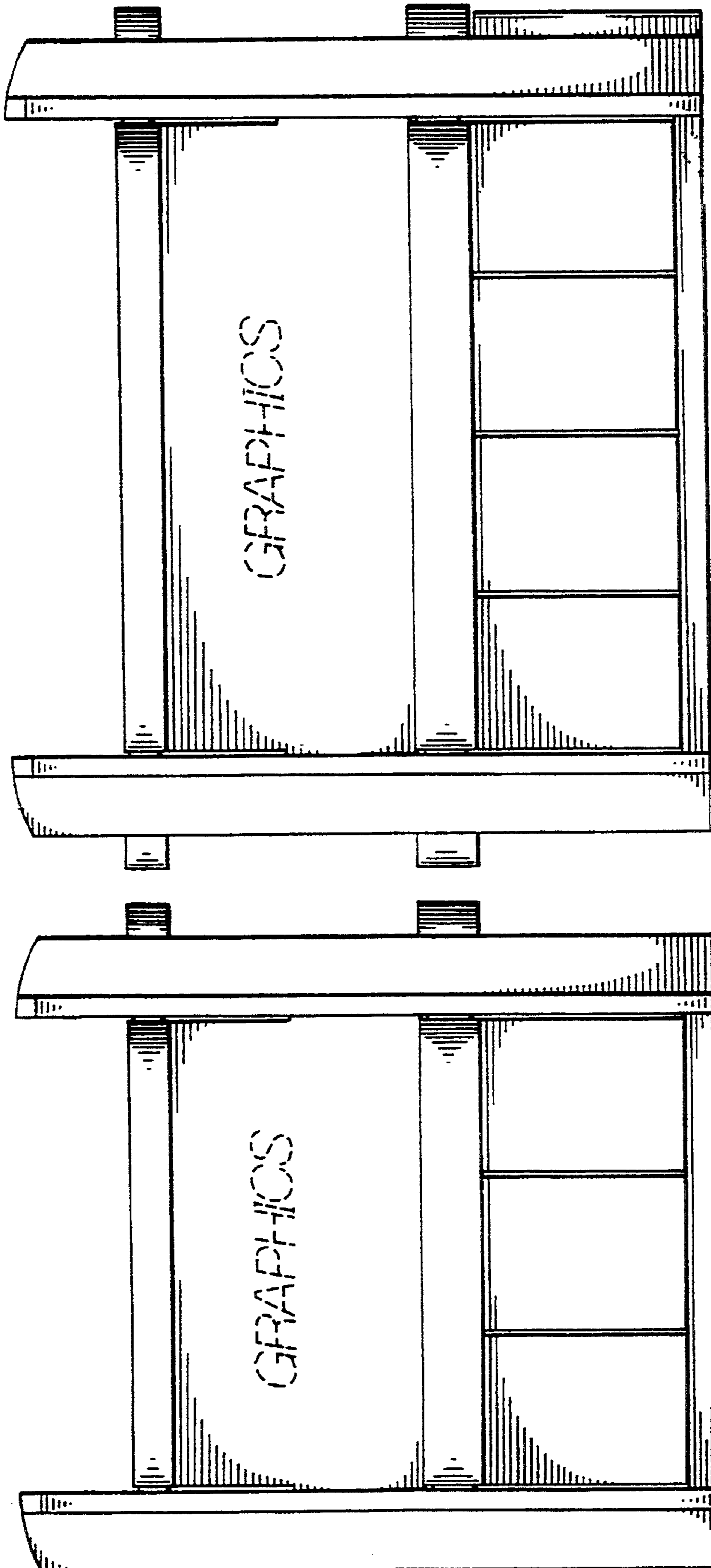


FIG 10

FIG 9

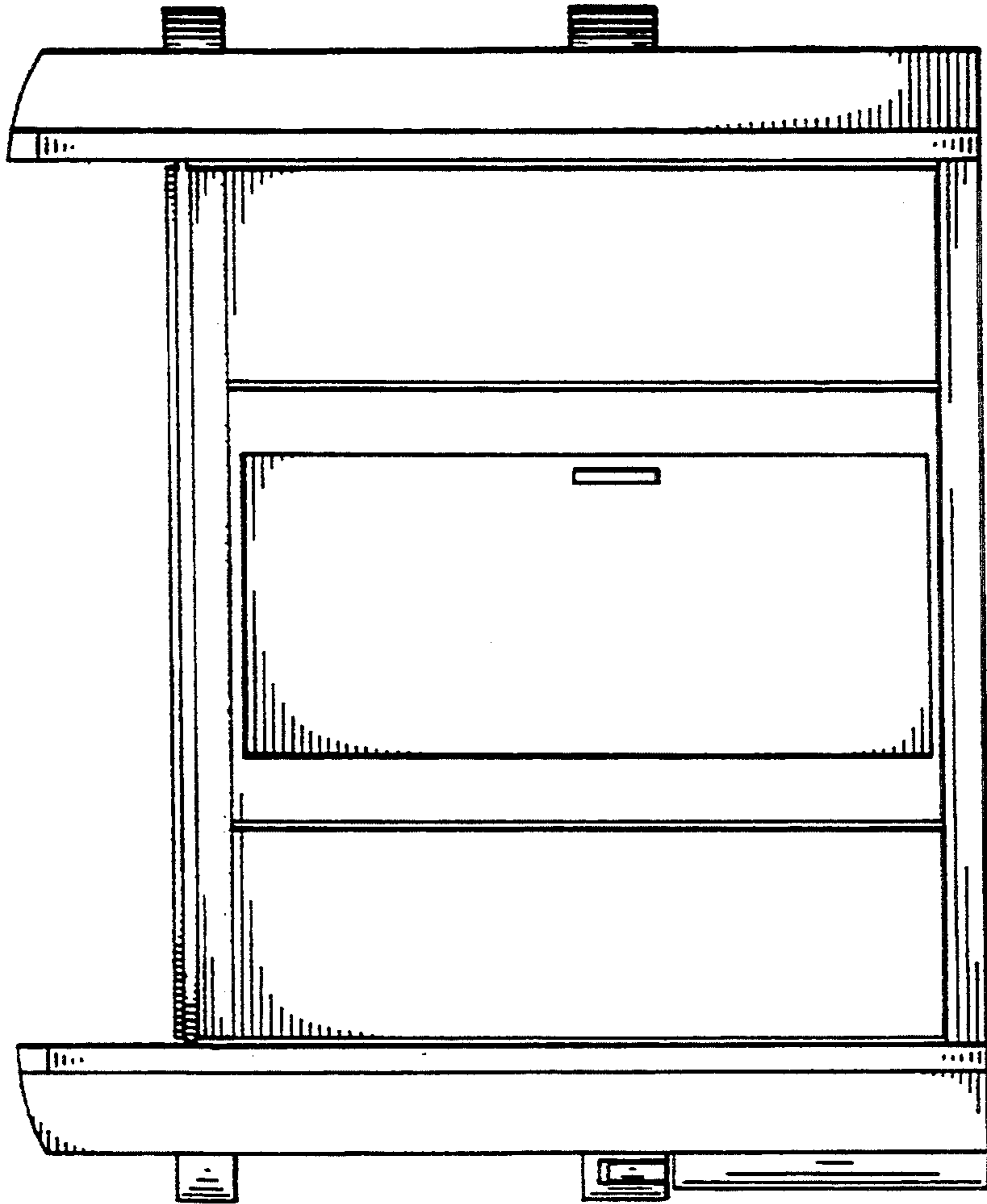


FIG A2

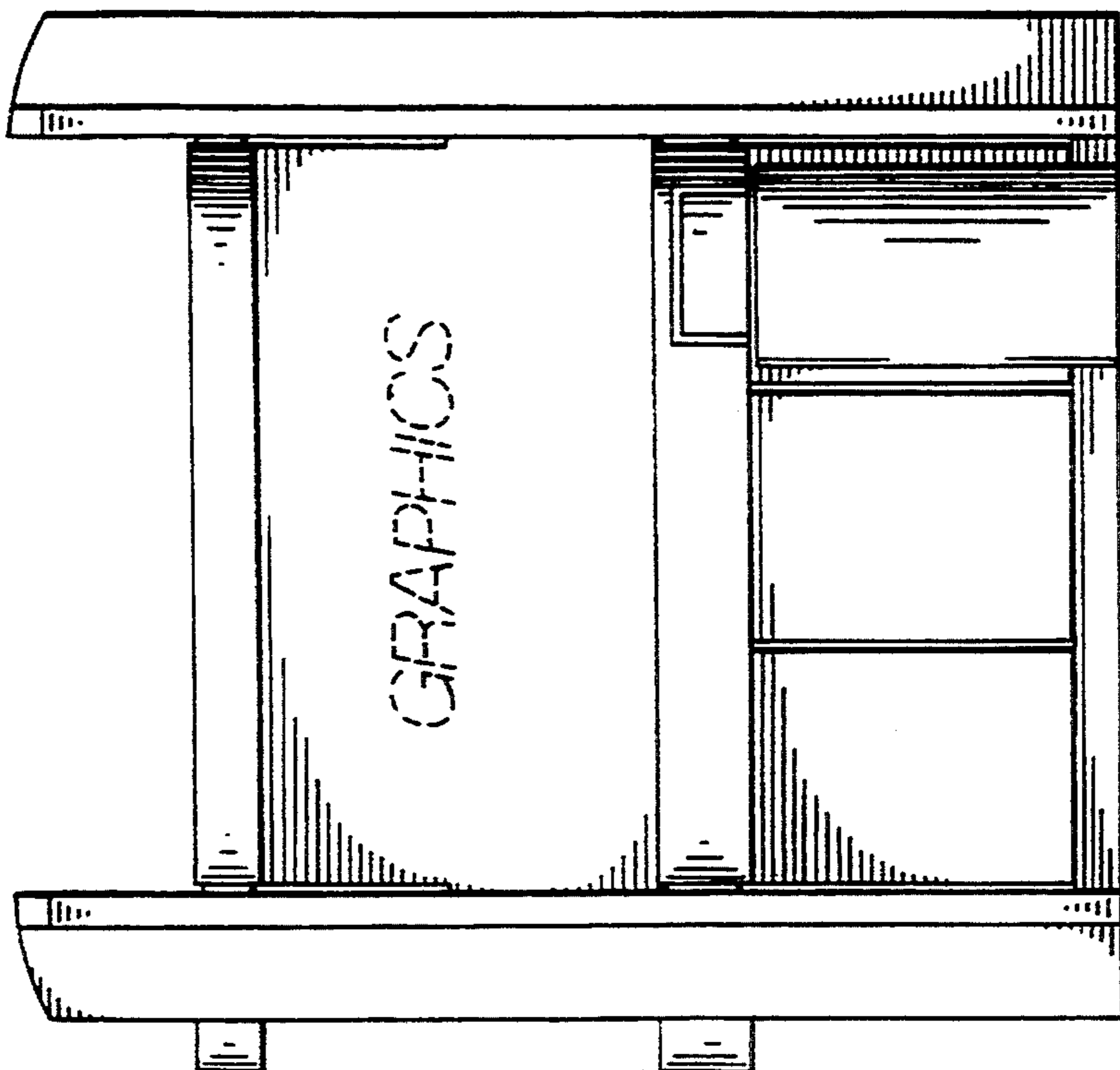


FIG A1

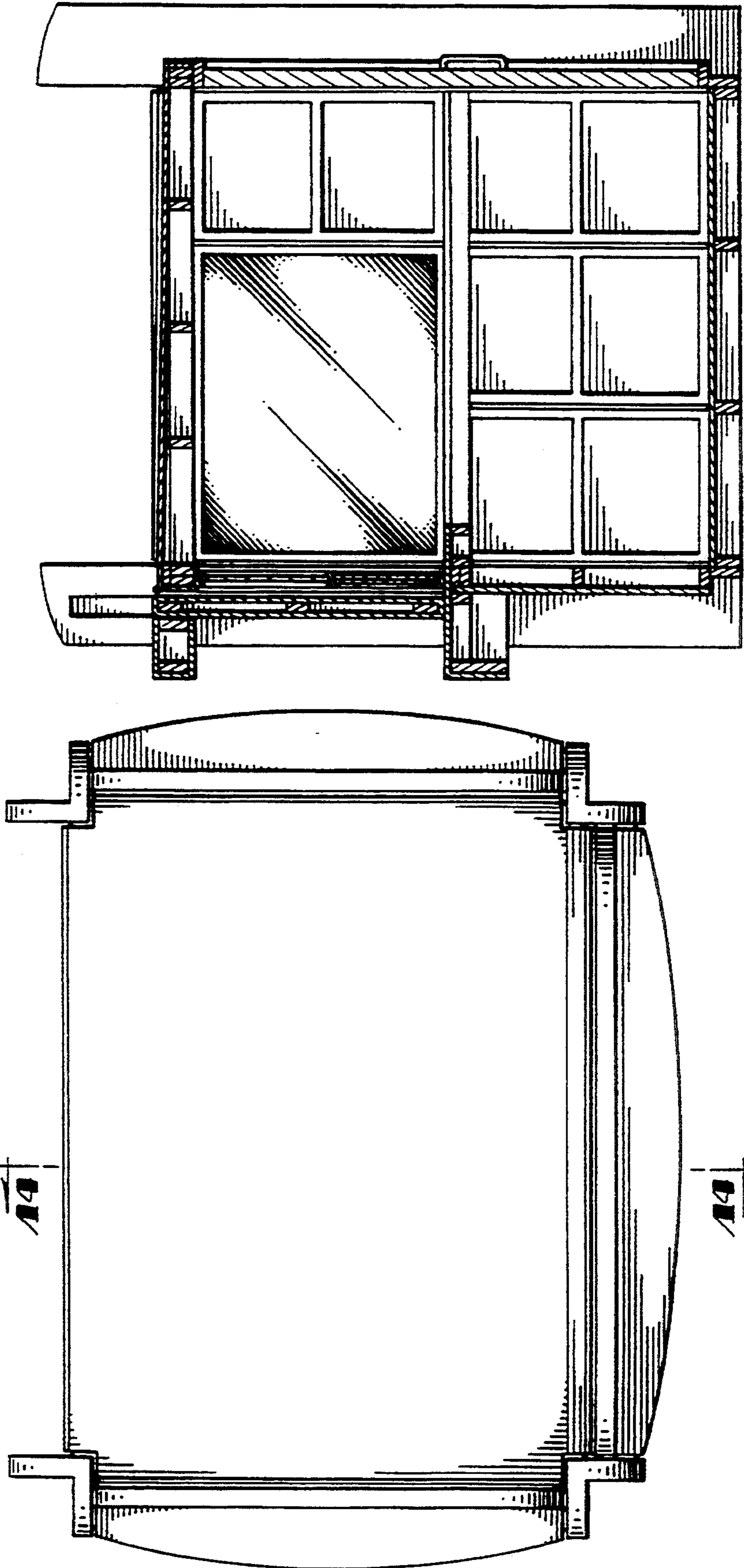


FIG 14

FIG 13

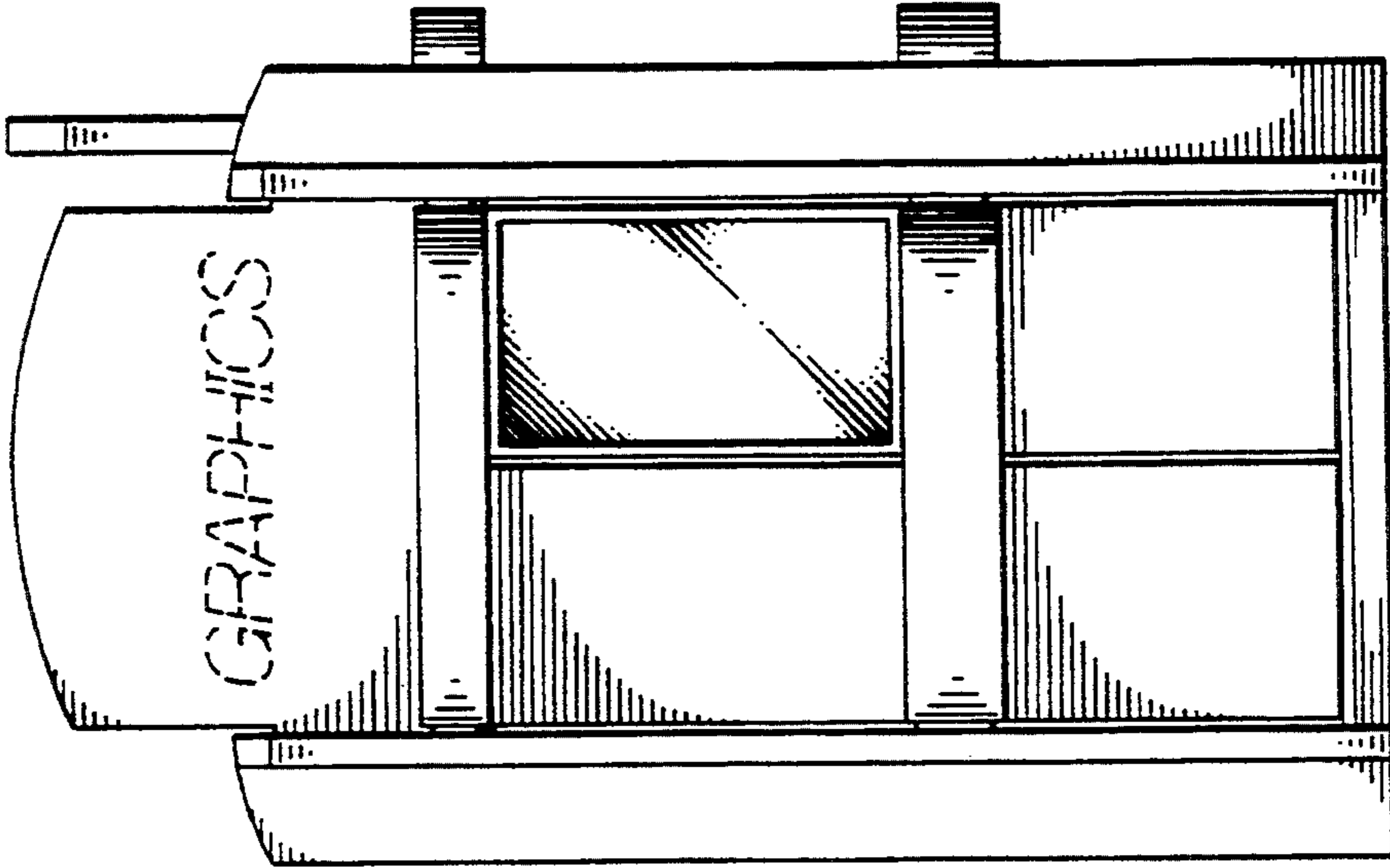


FIG 16

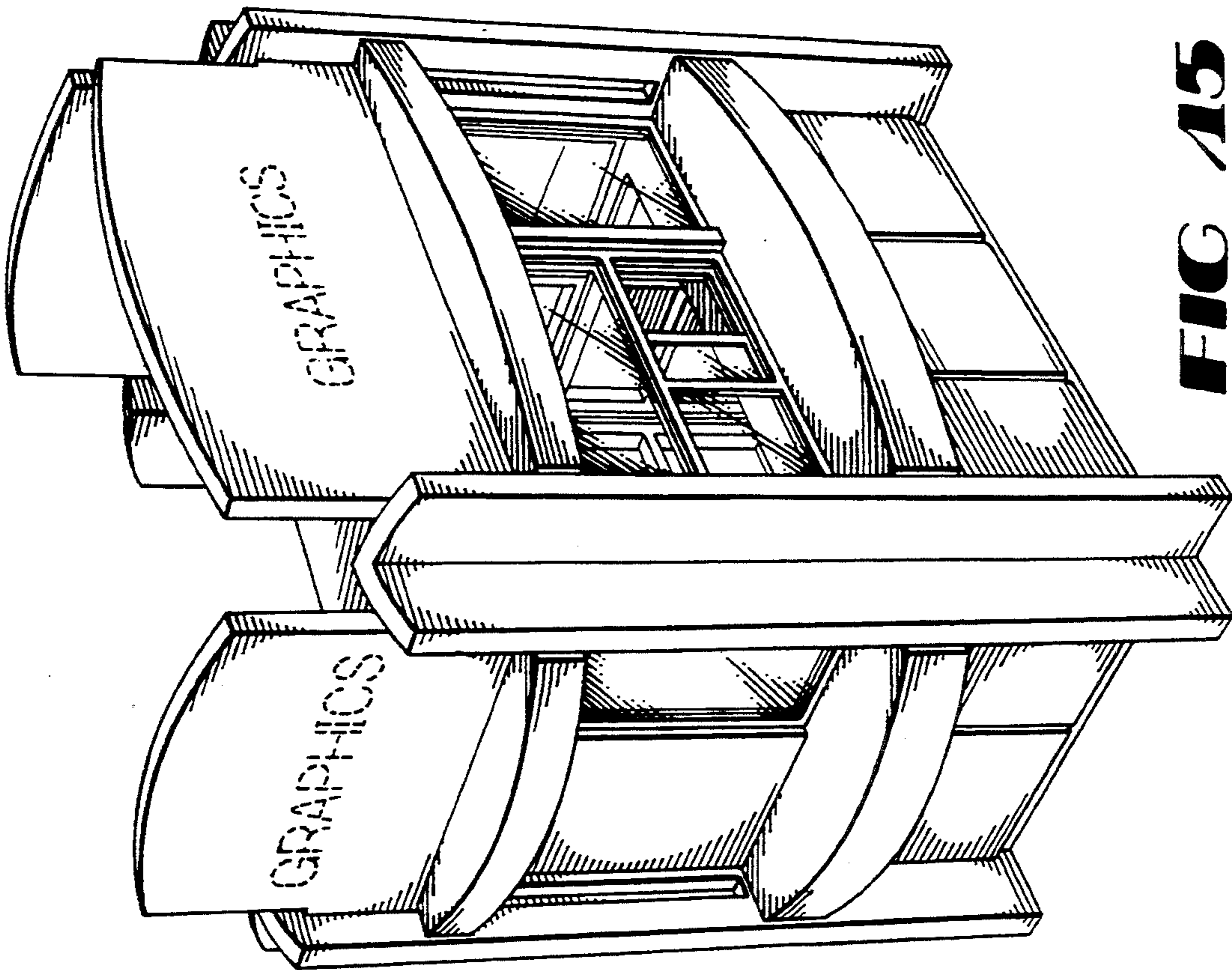


FIG 15

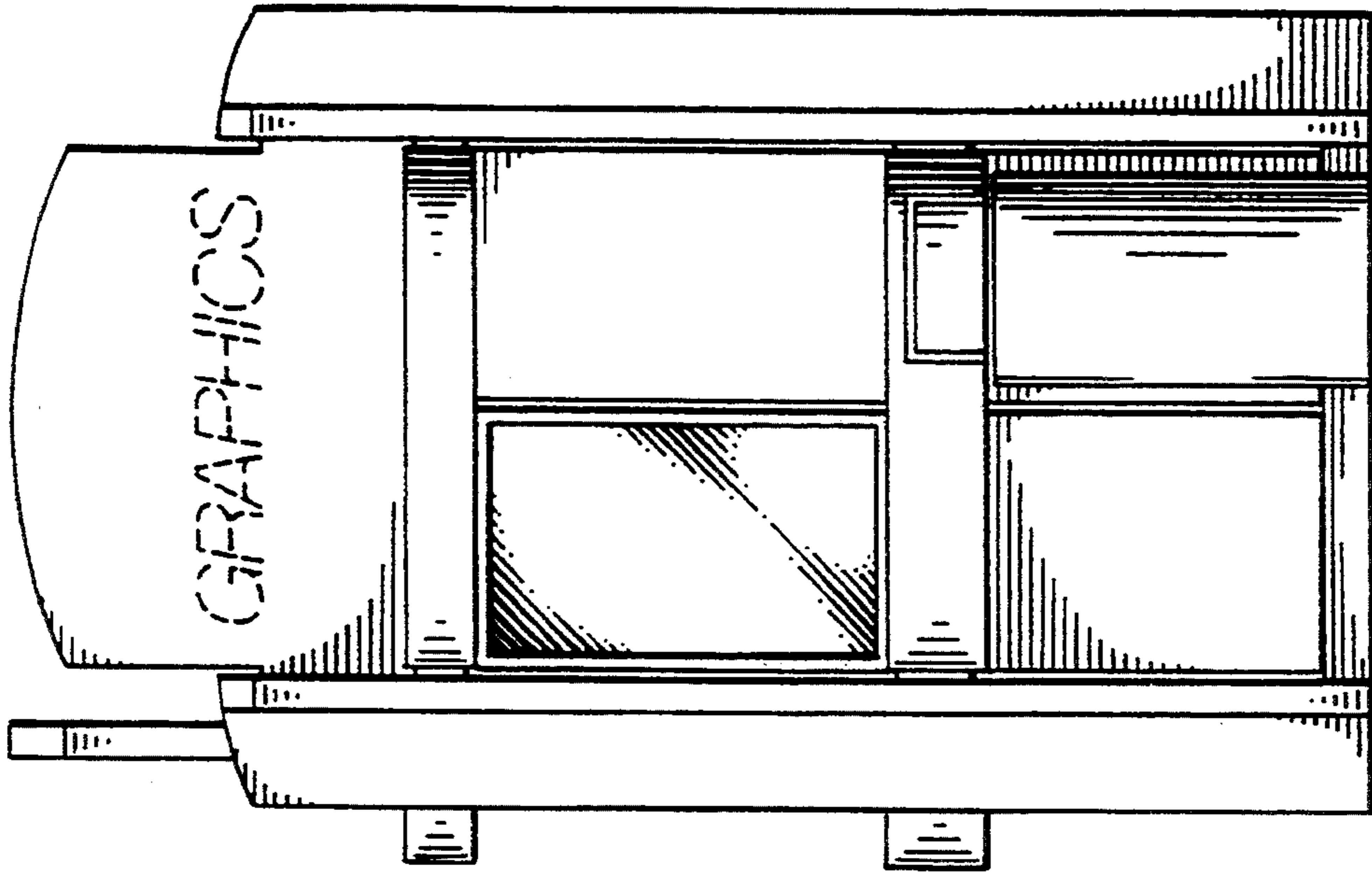


FIG 18

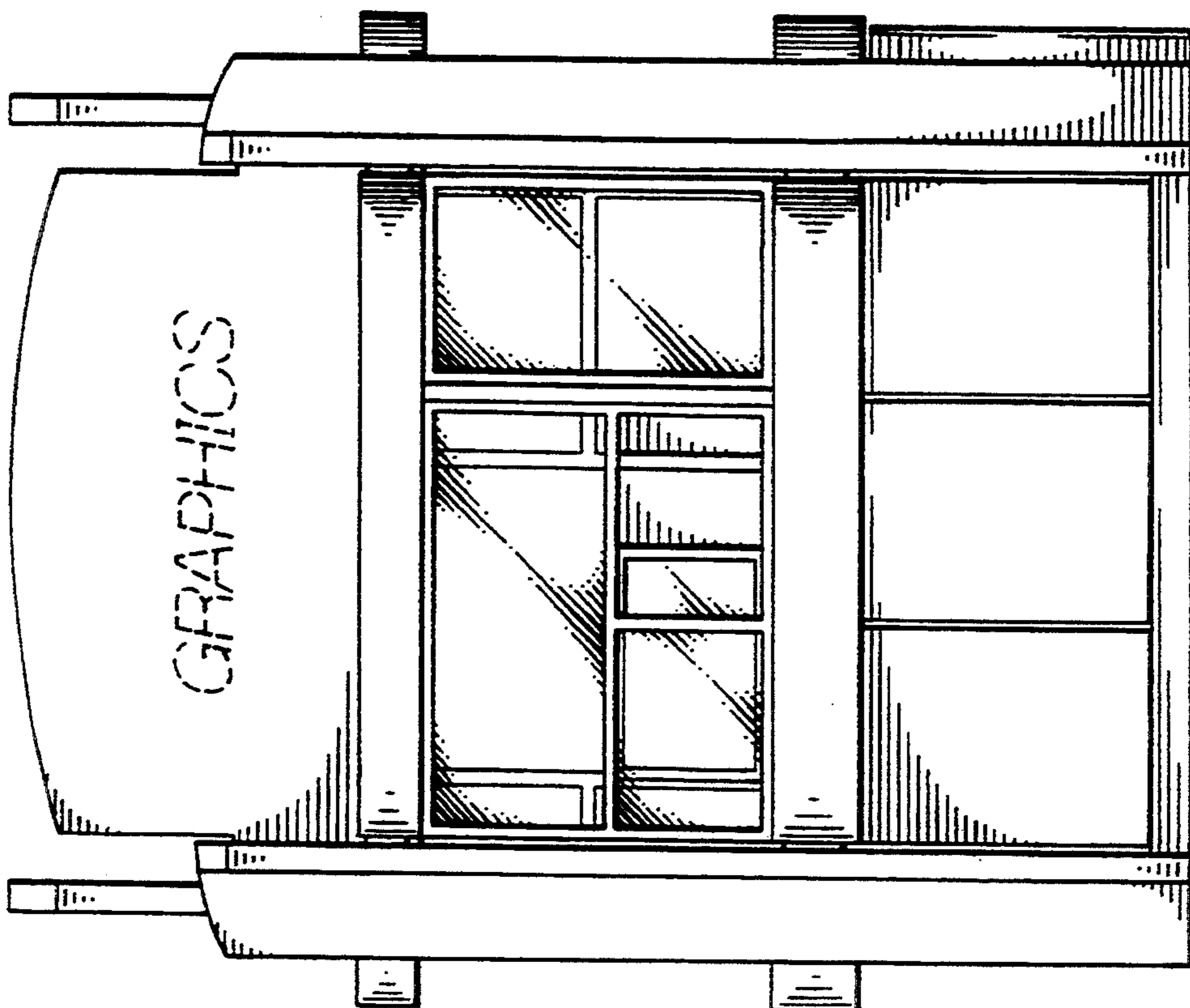


FIG 17

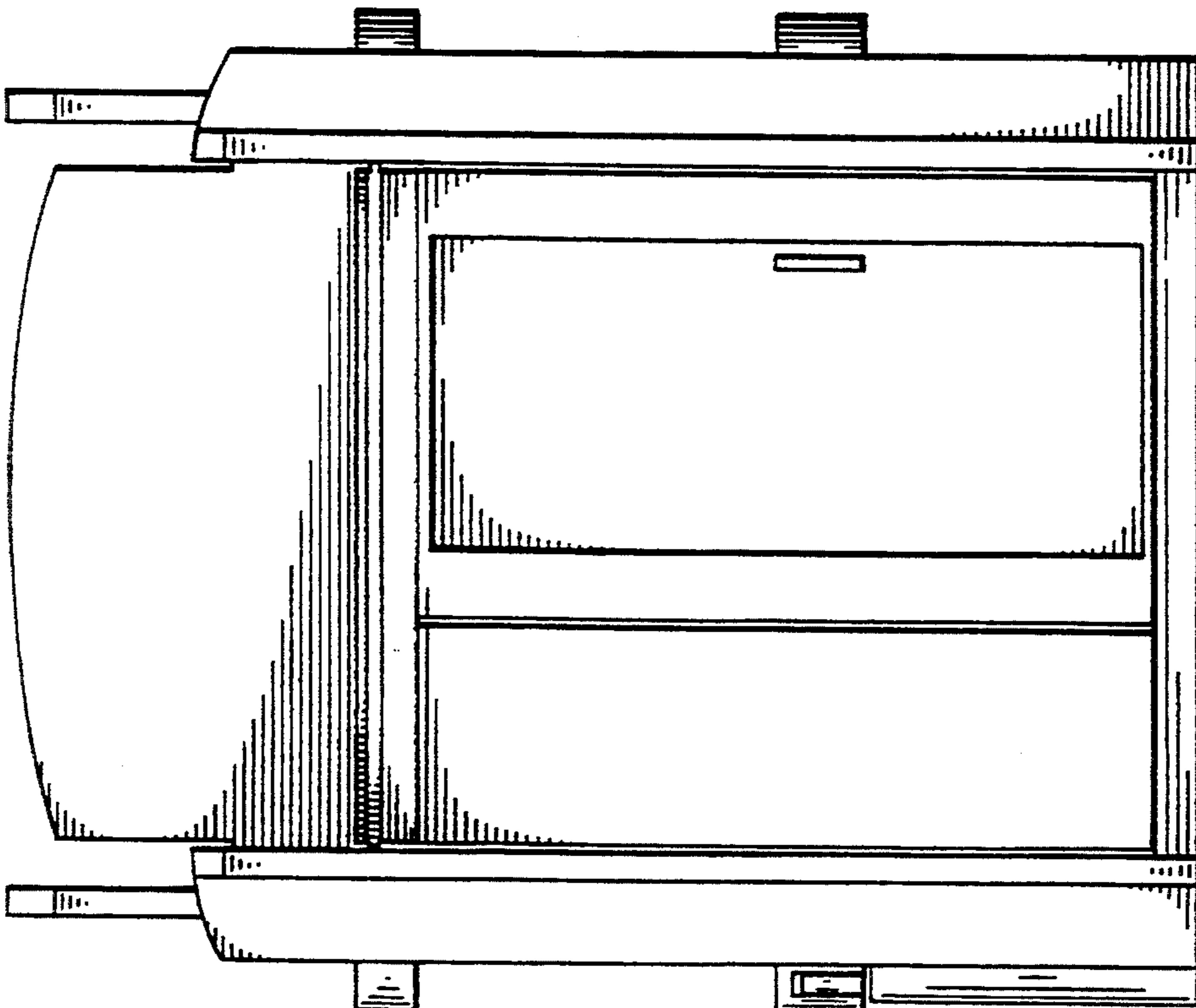


FIG 19

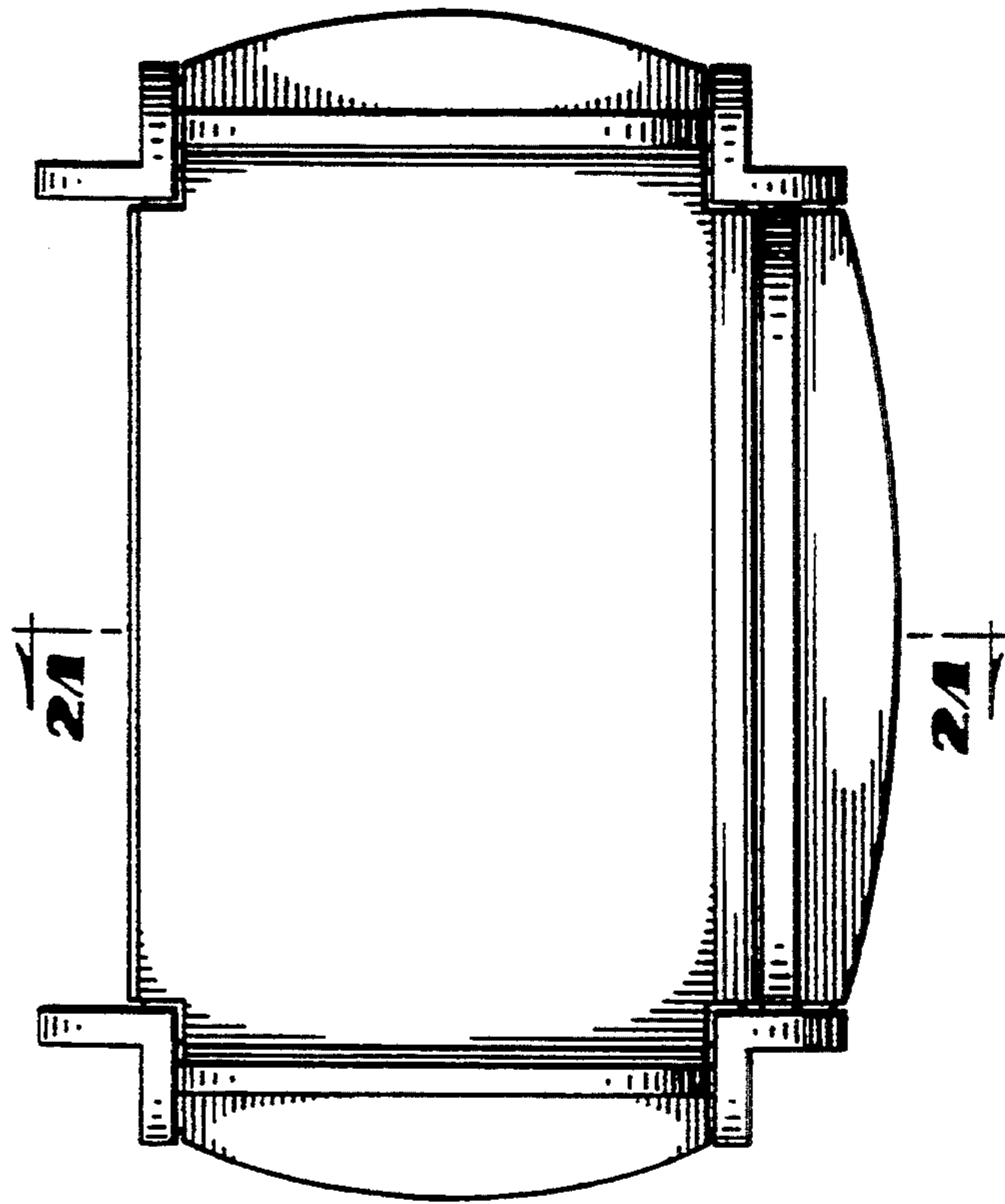


FIG 20

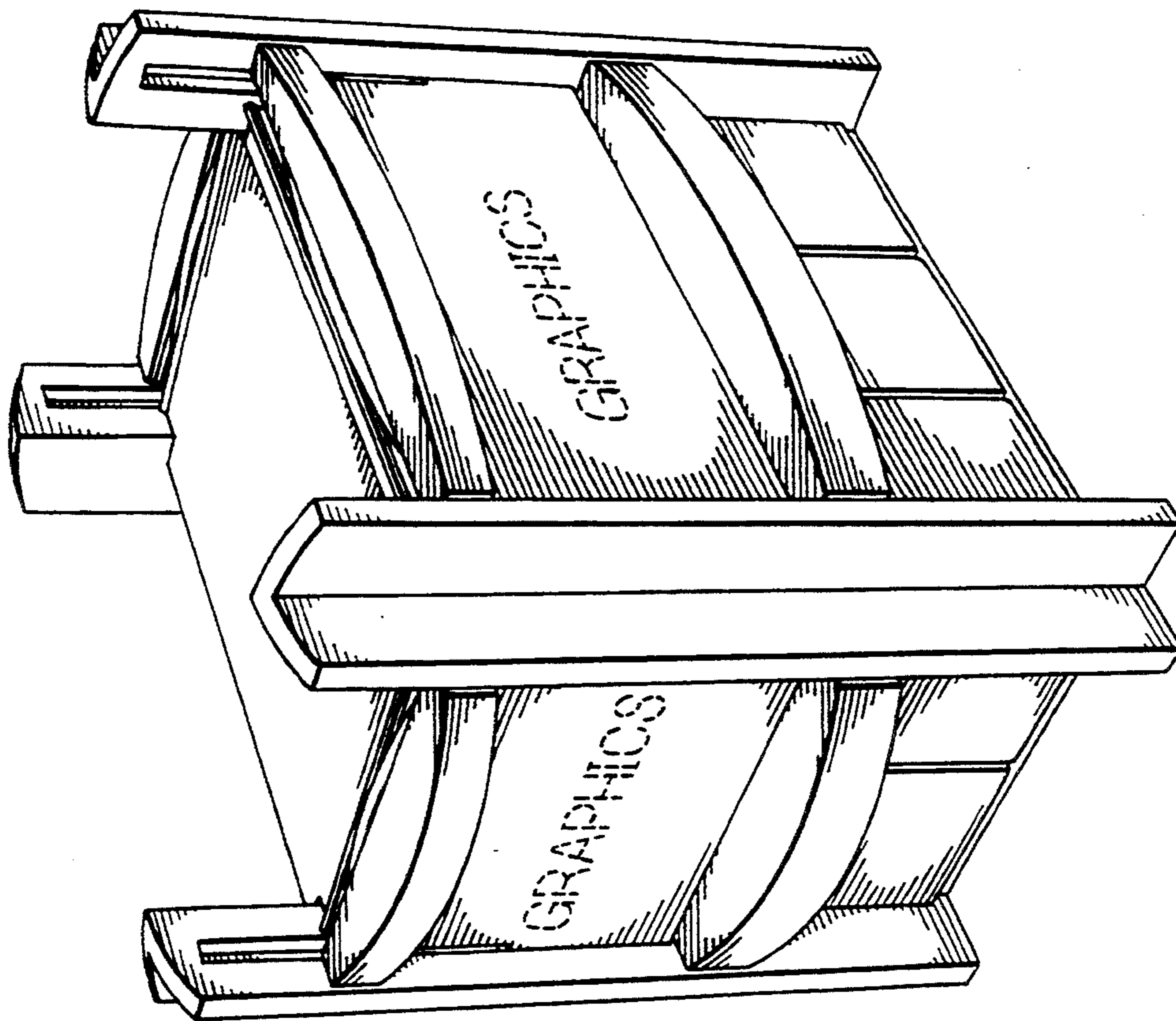


FIG 22

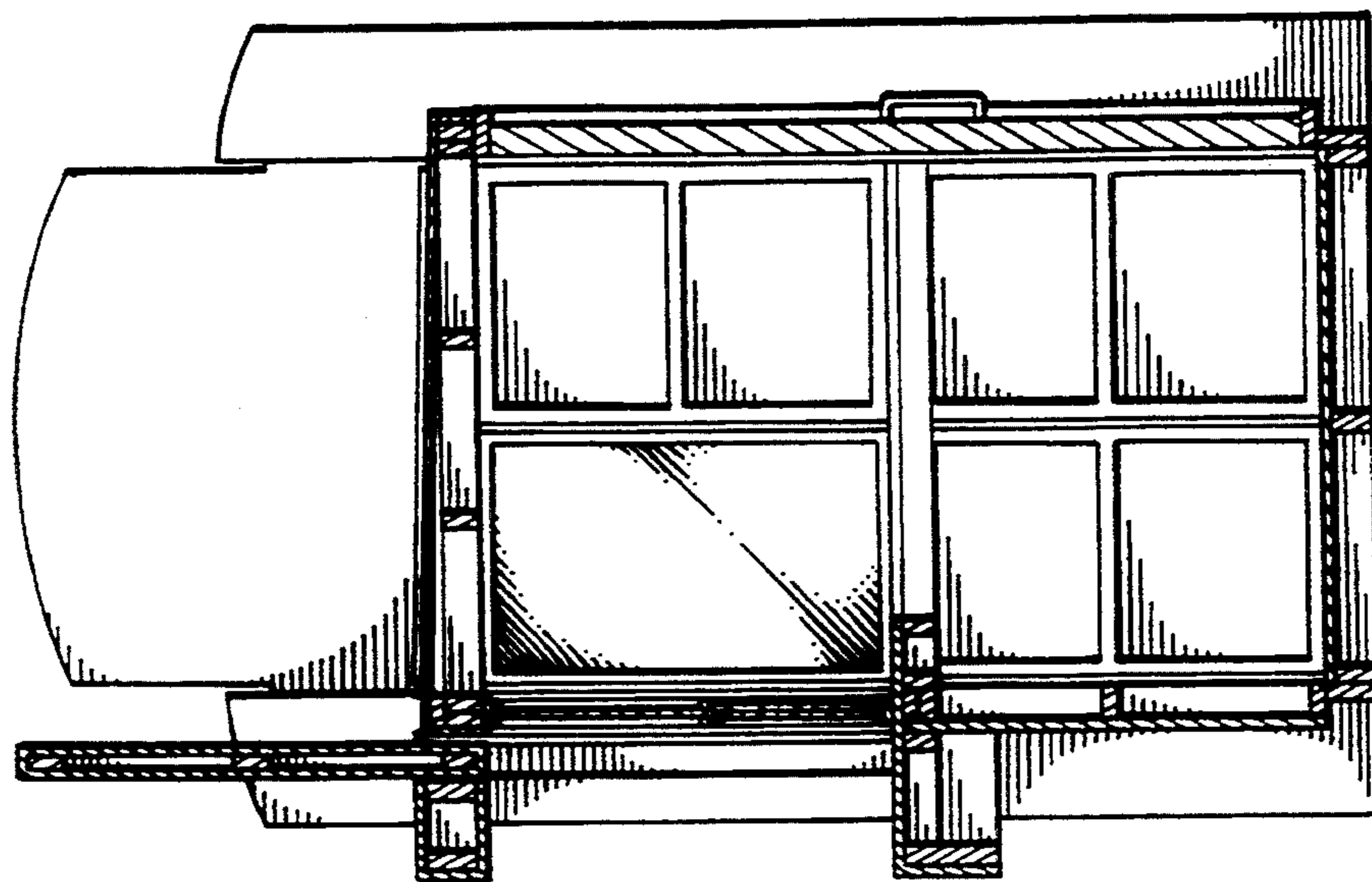


FIG 2A

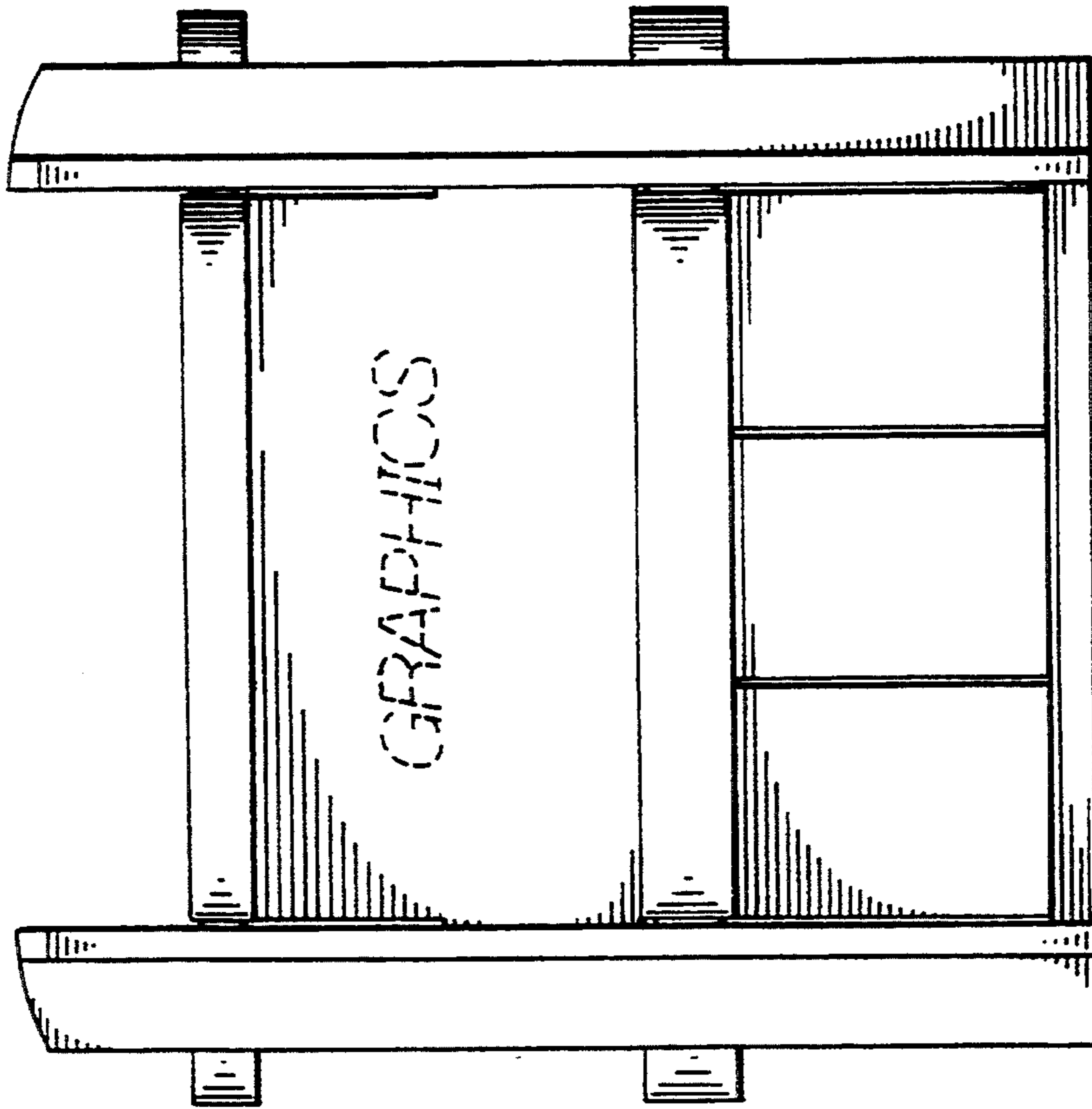


FIG 24

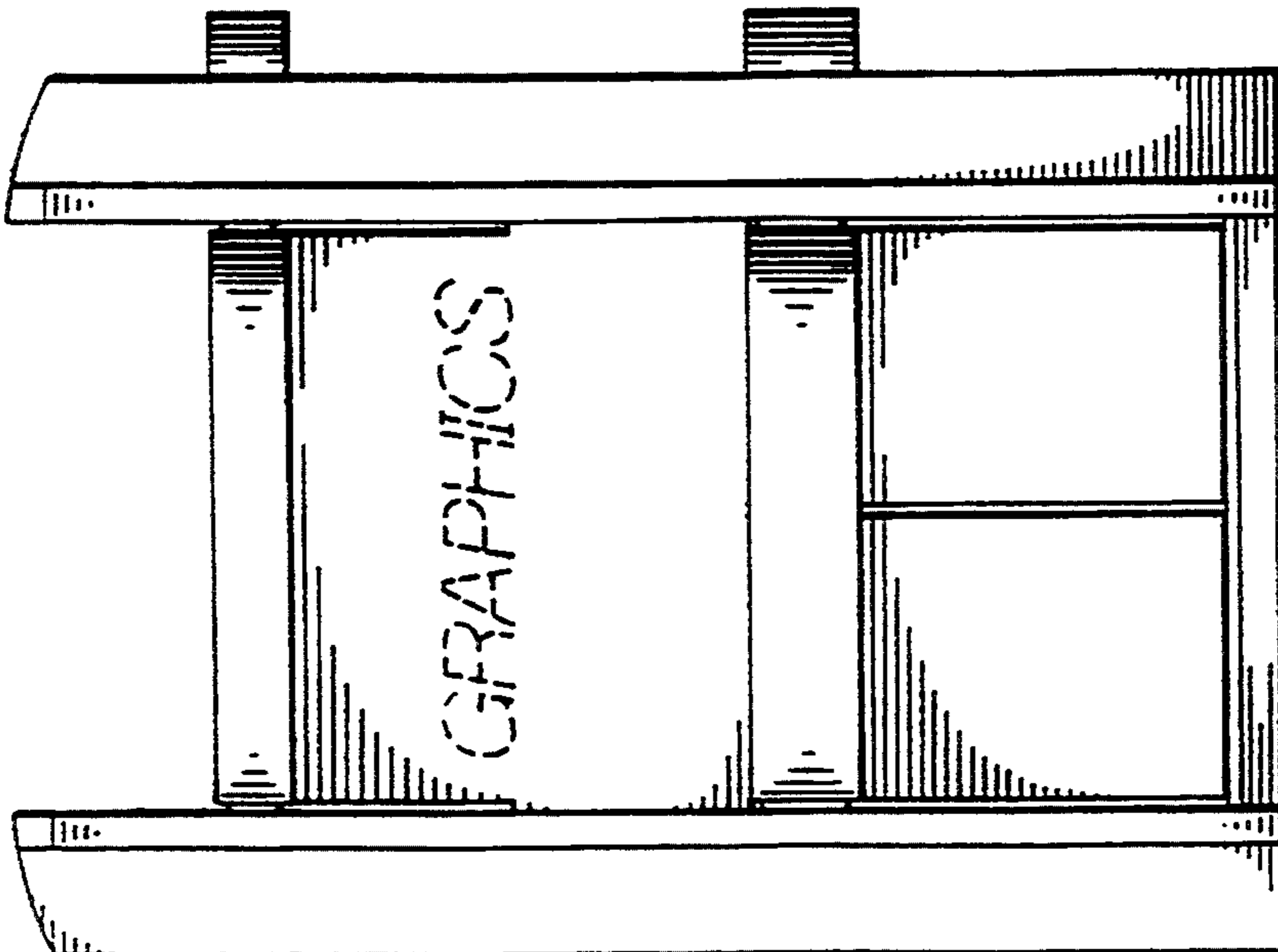


FIG 23

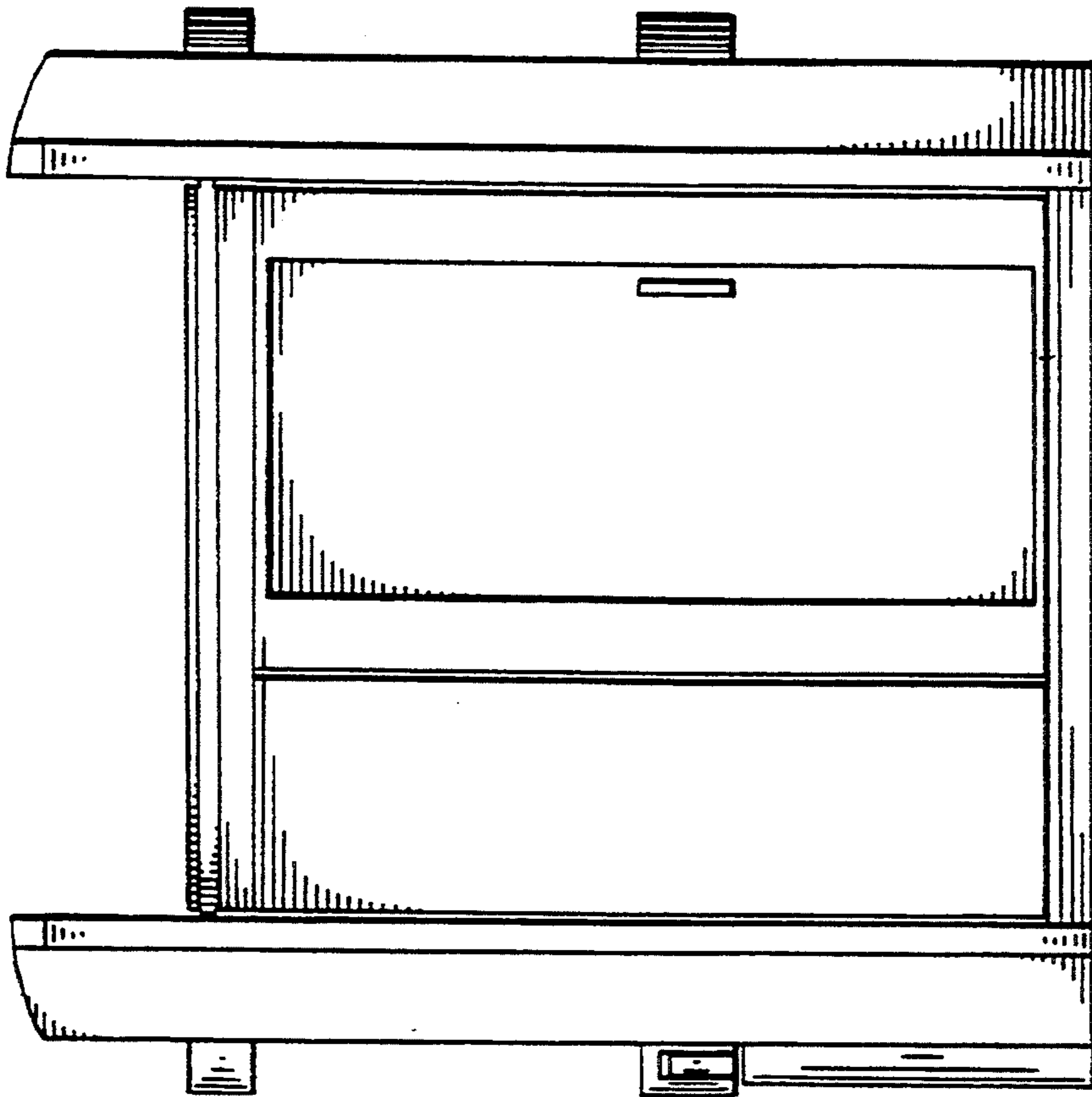


FIG 26



FIG 25

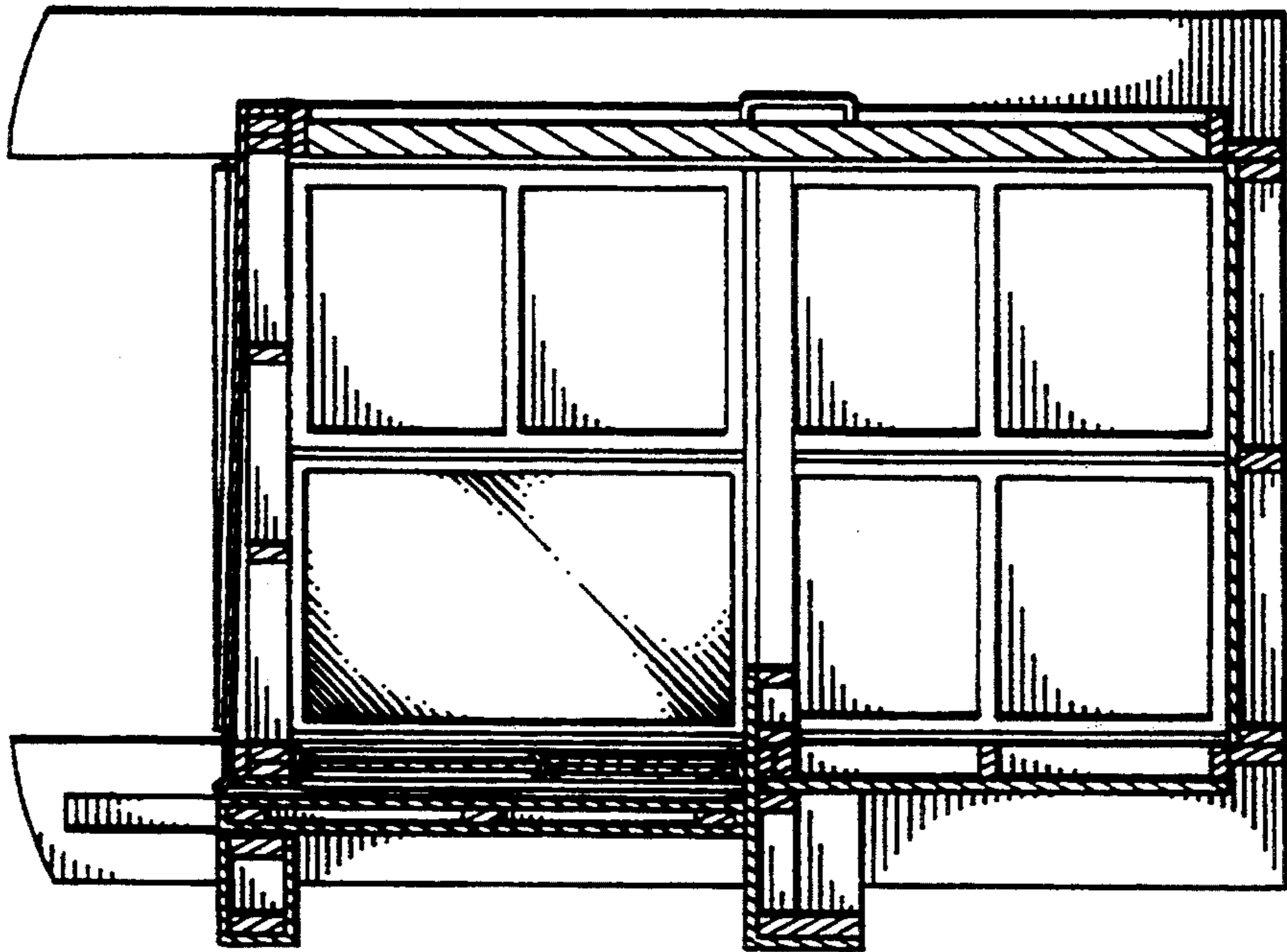
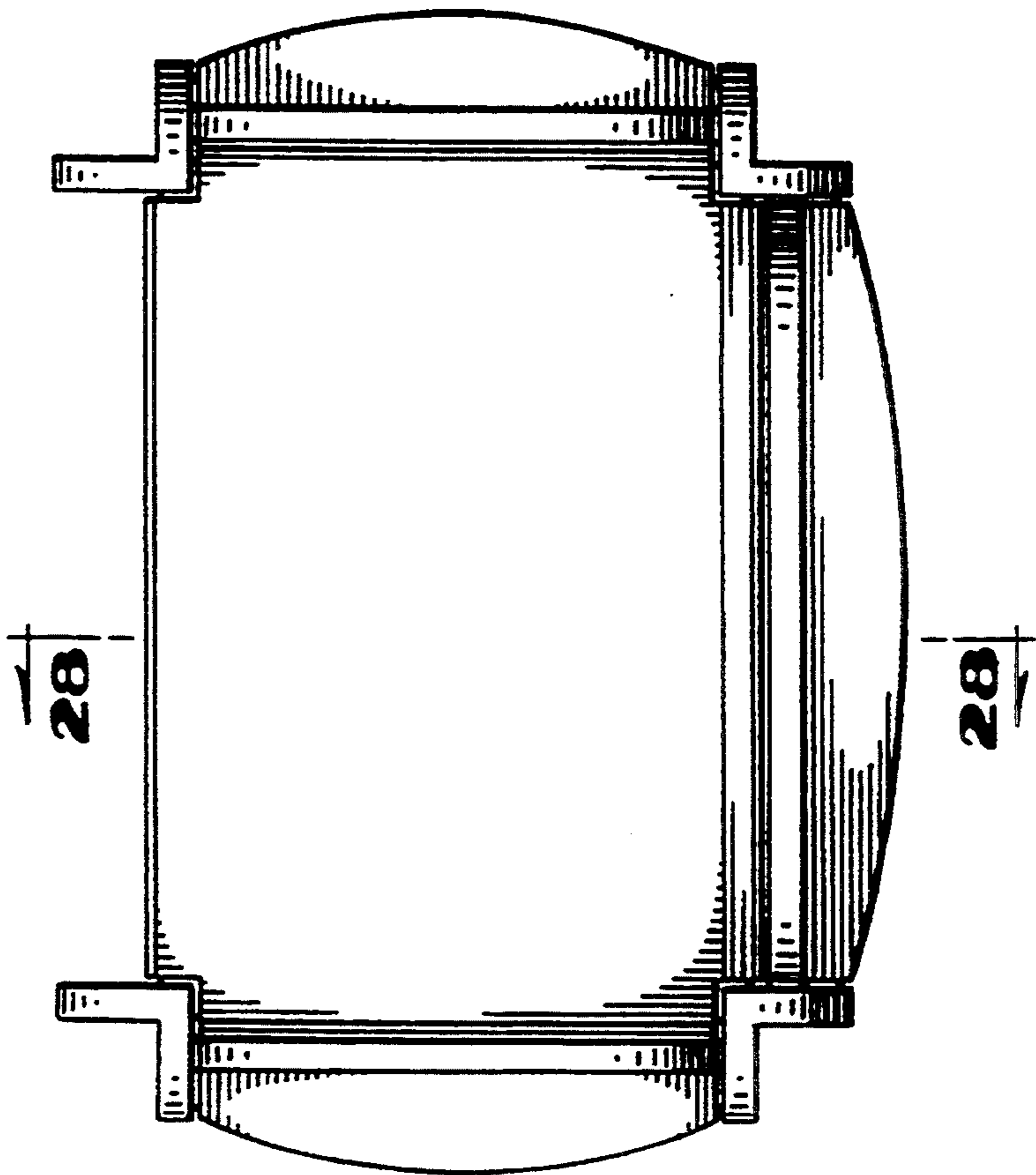


FIG 28



28

28

FIG 27

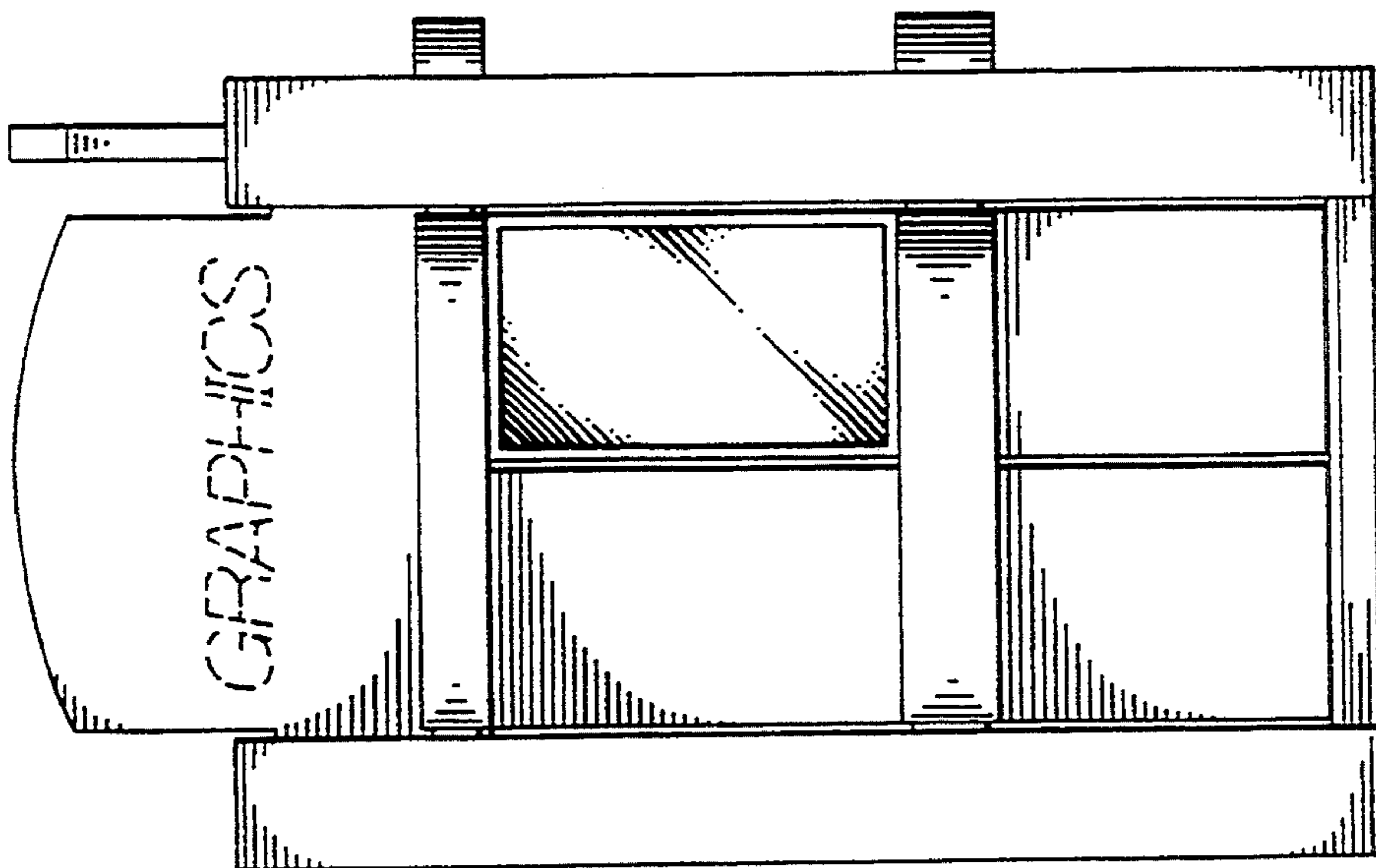


FIG 30

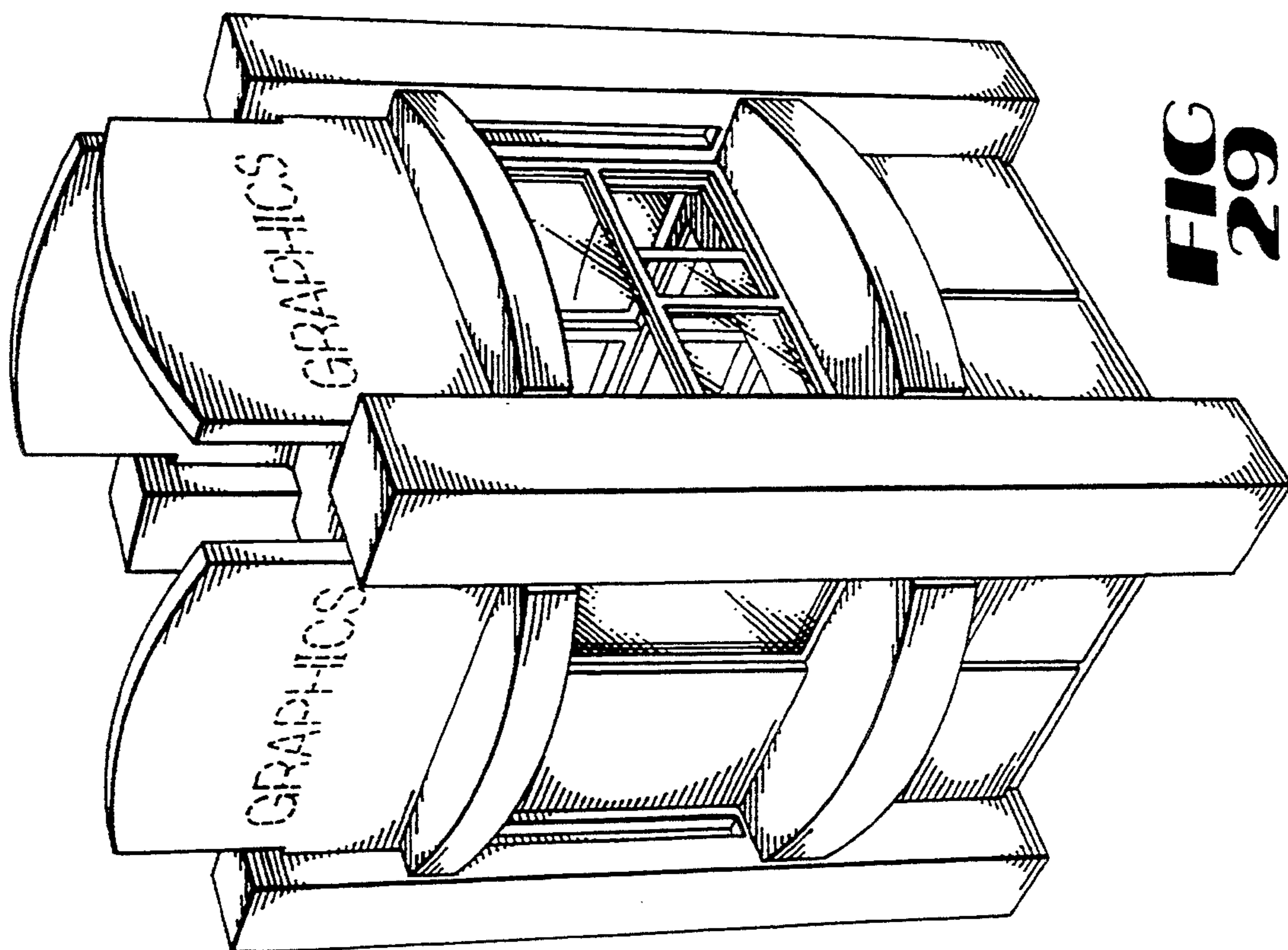


FIG 29

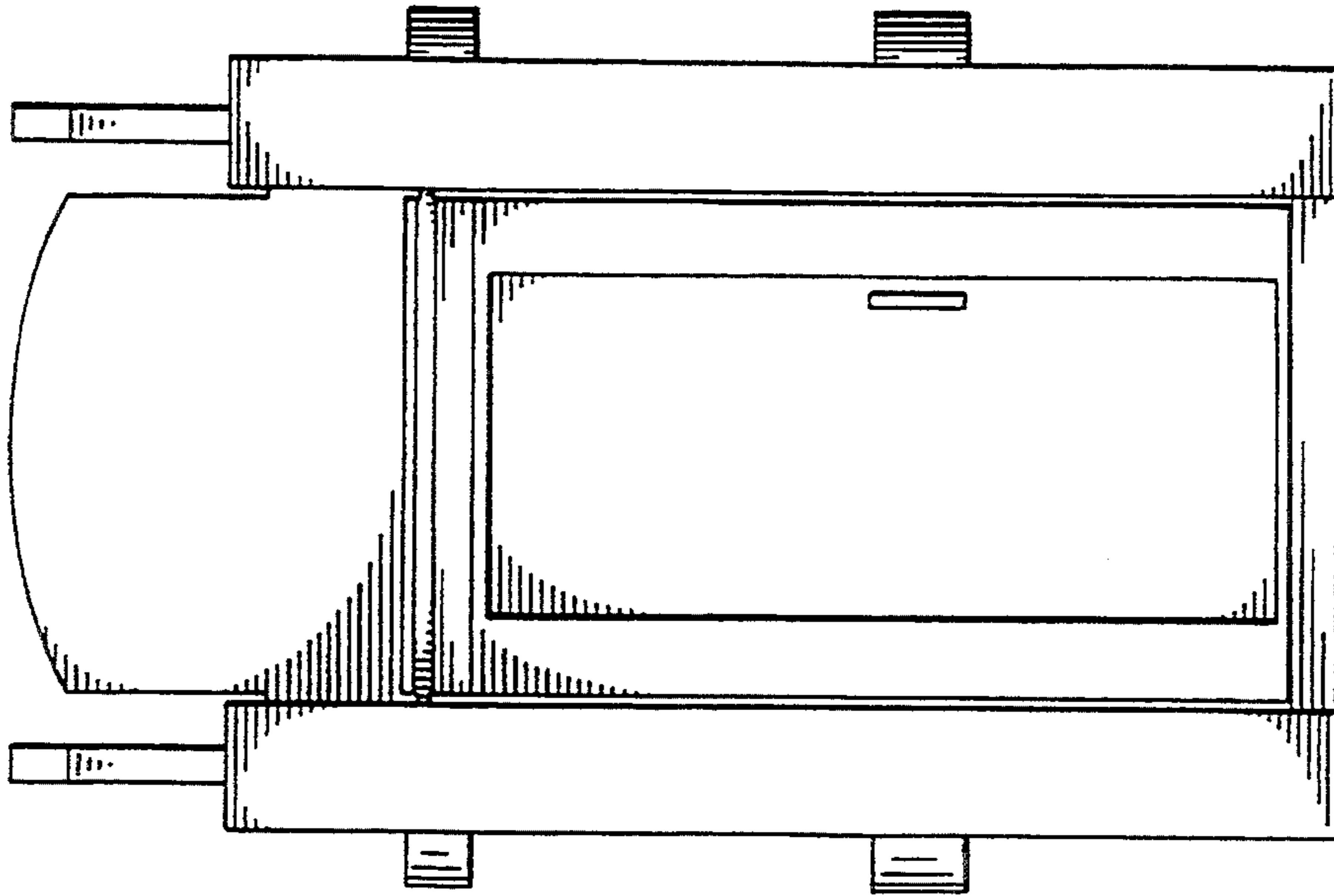


FIG 32

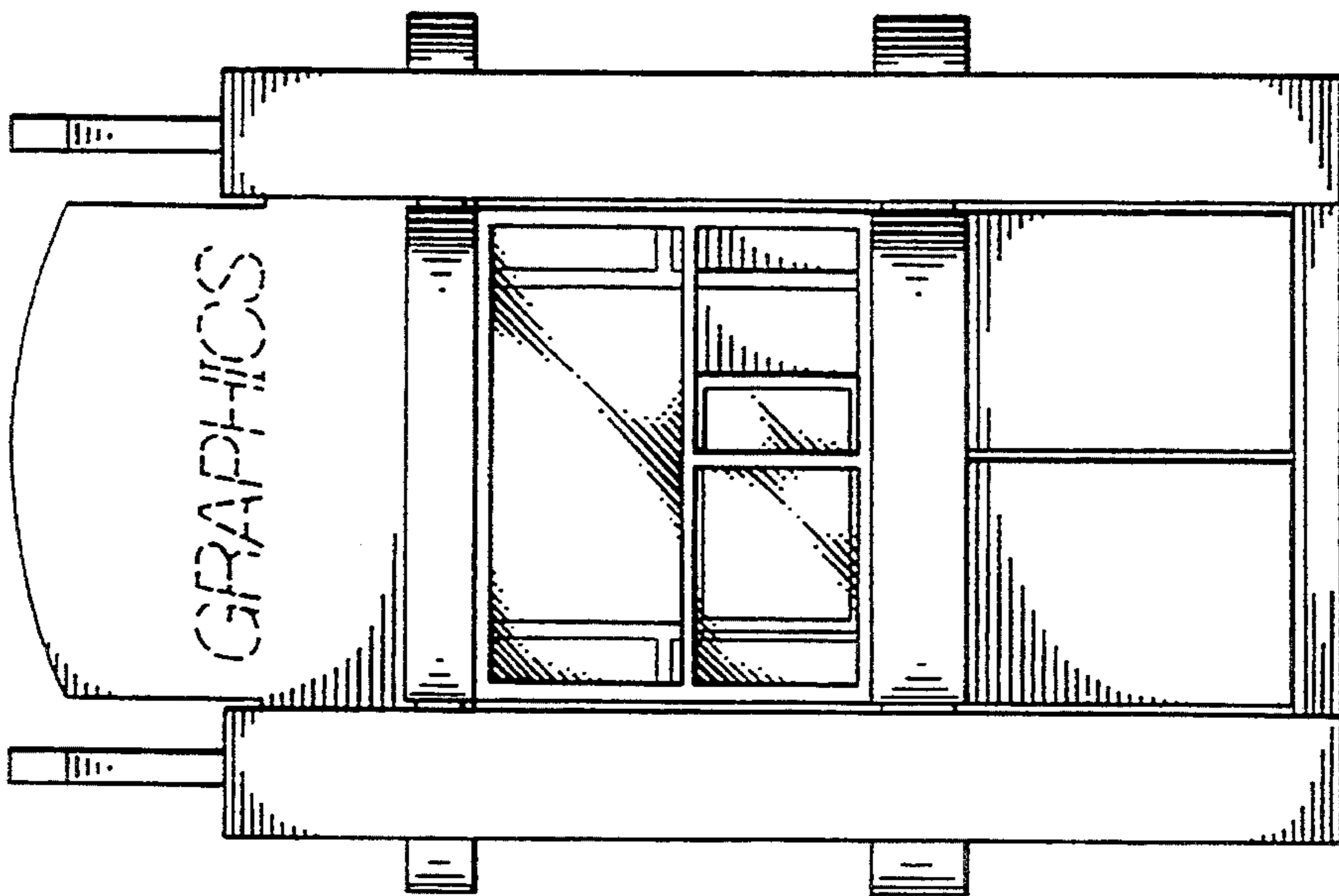


FIG 3A

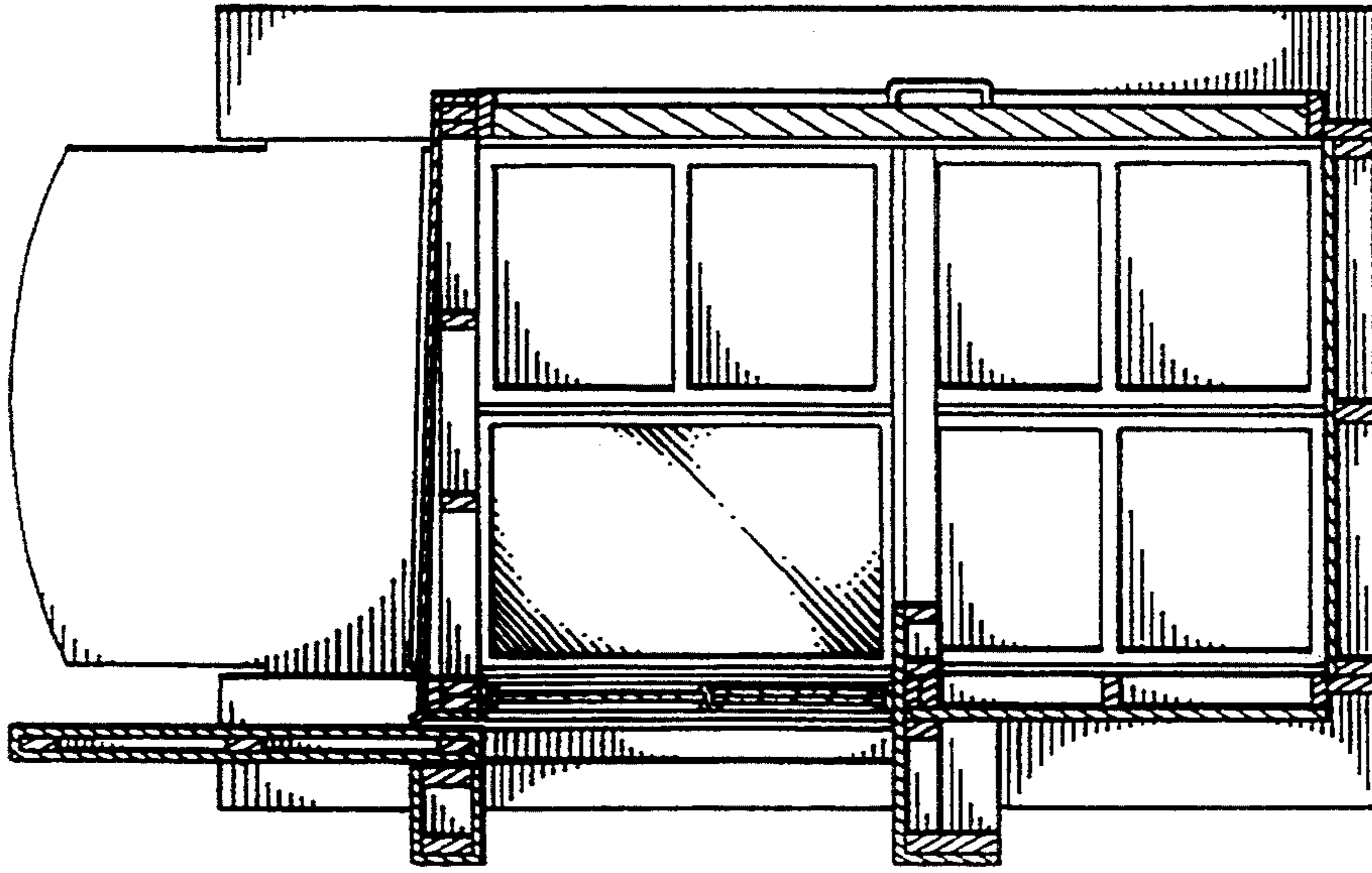


FIG 34

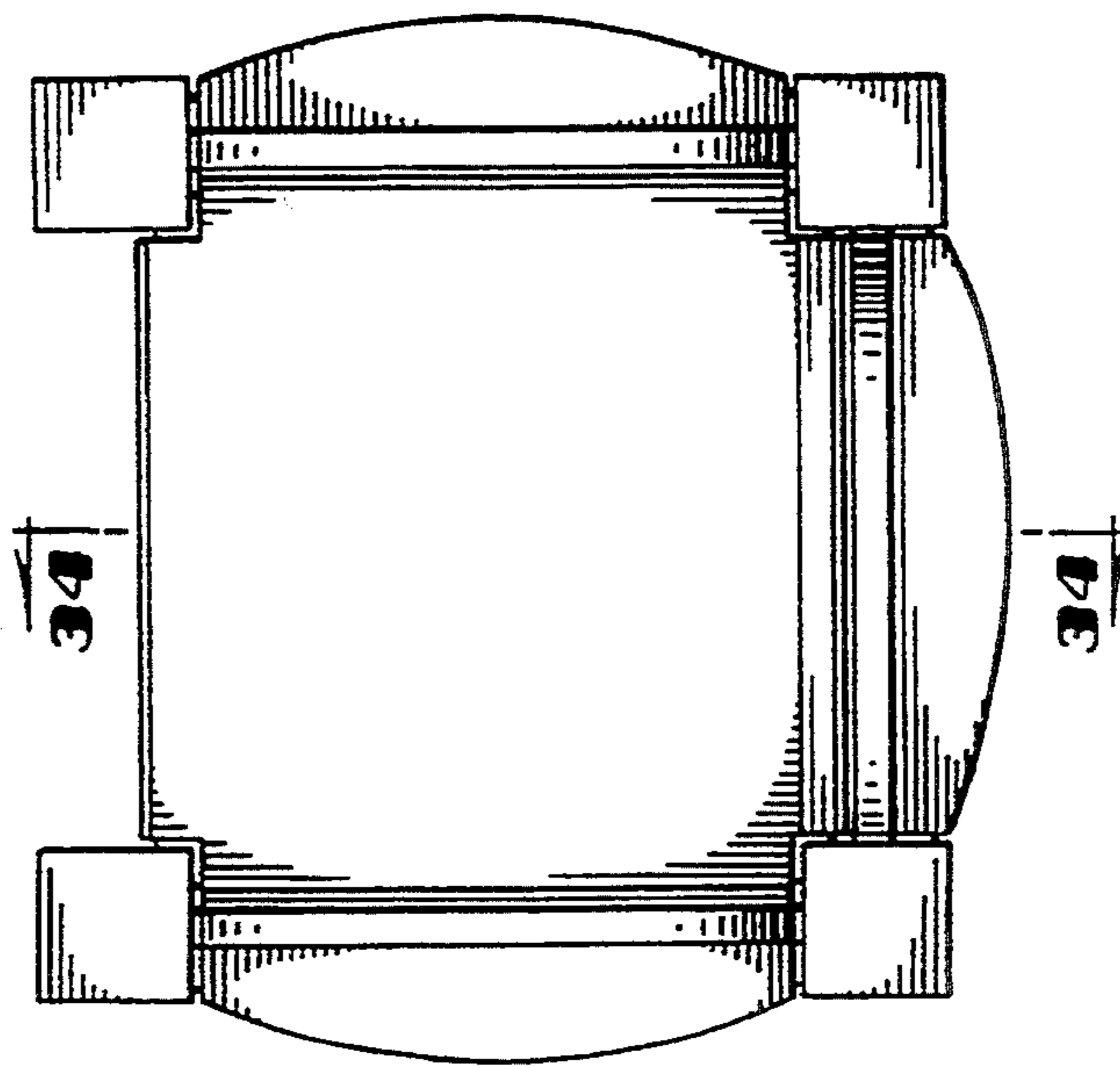


FIG 33

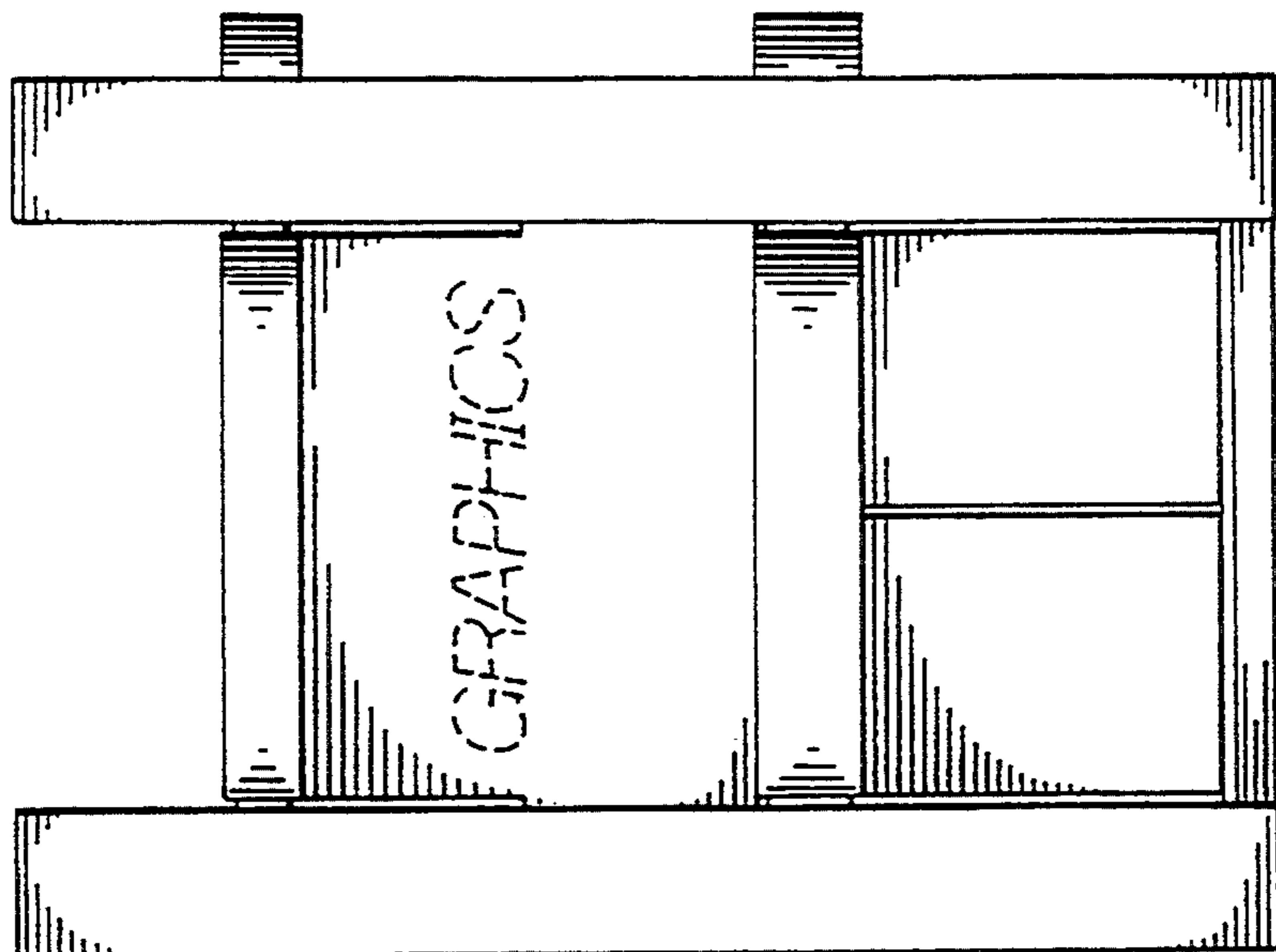


FIG 36

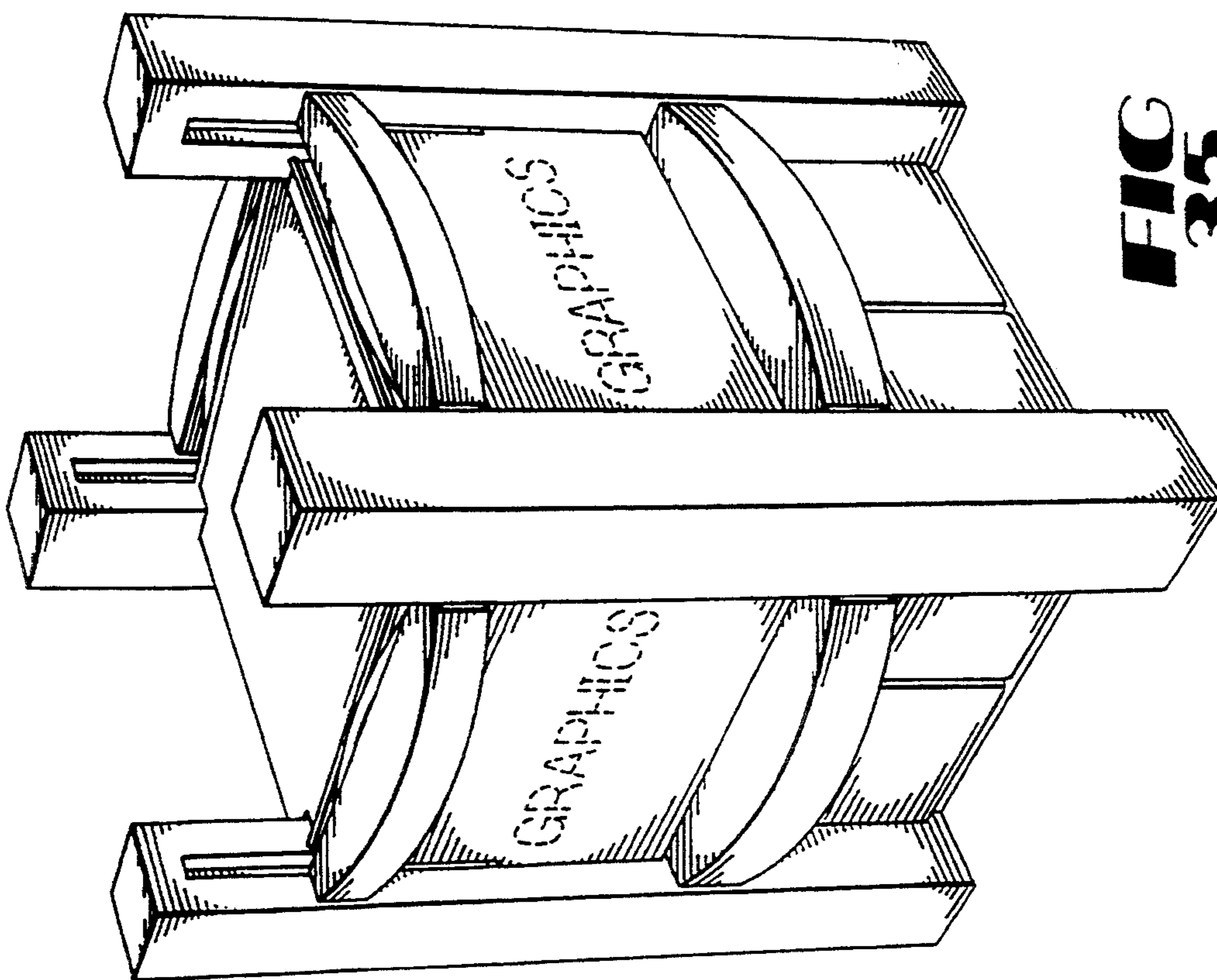


FIG 35

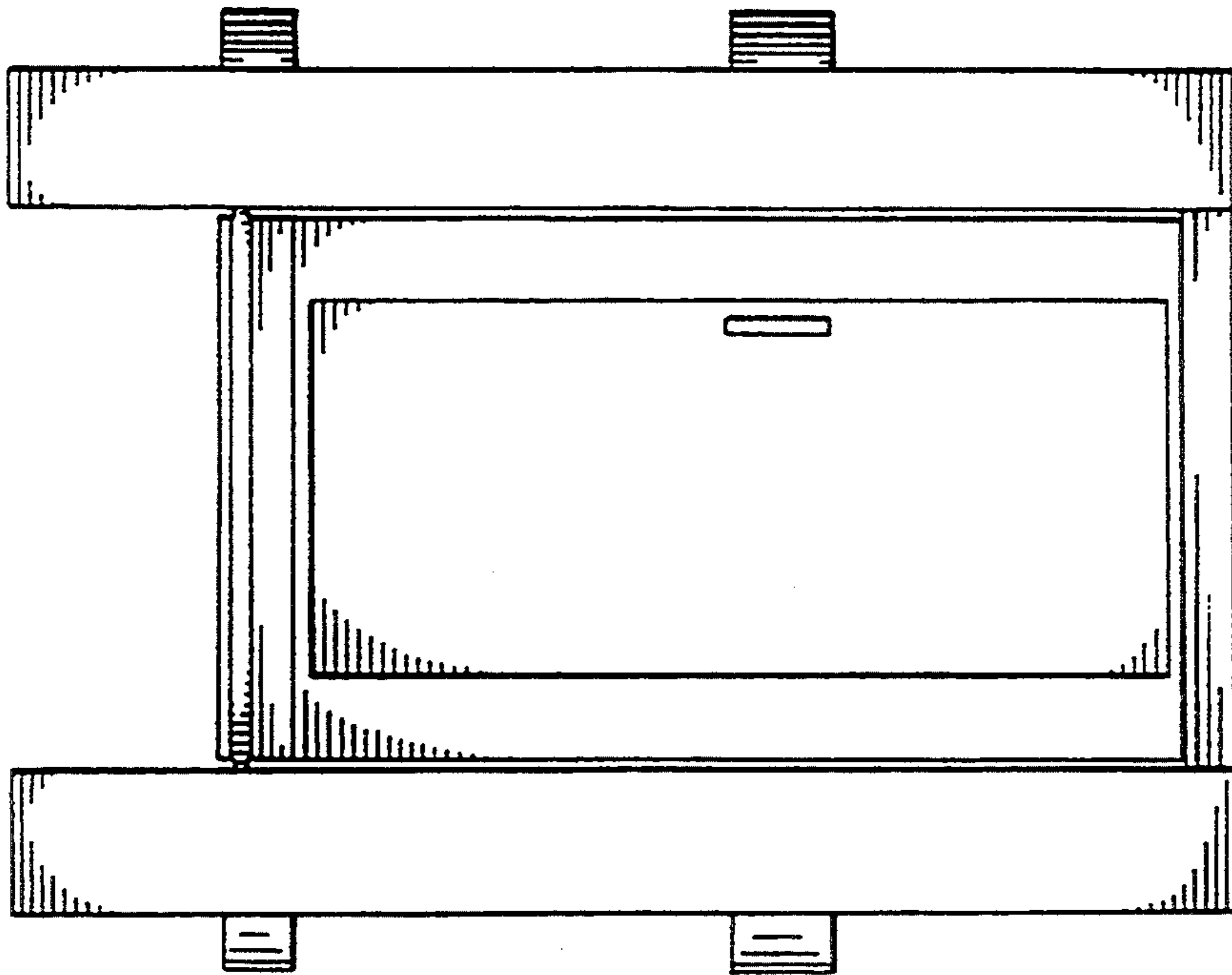


FIG 38

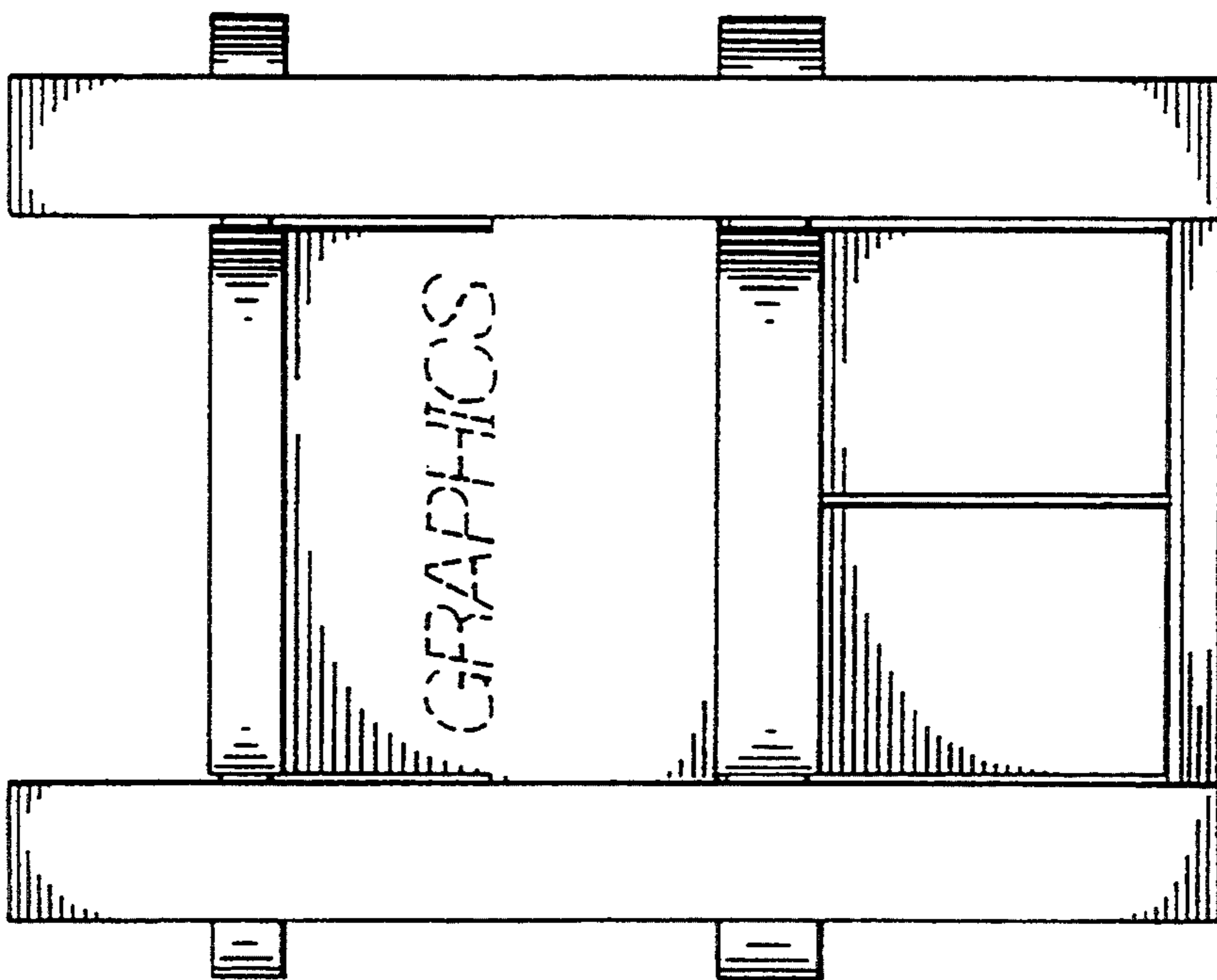


FIG 37

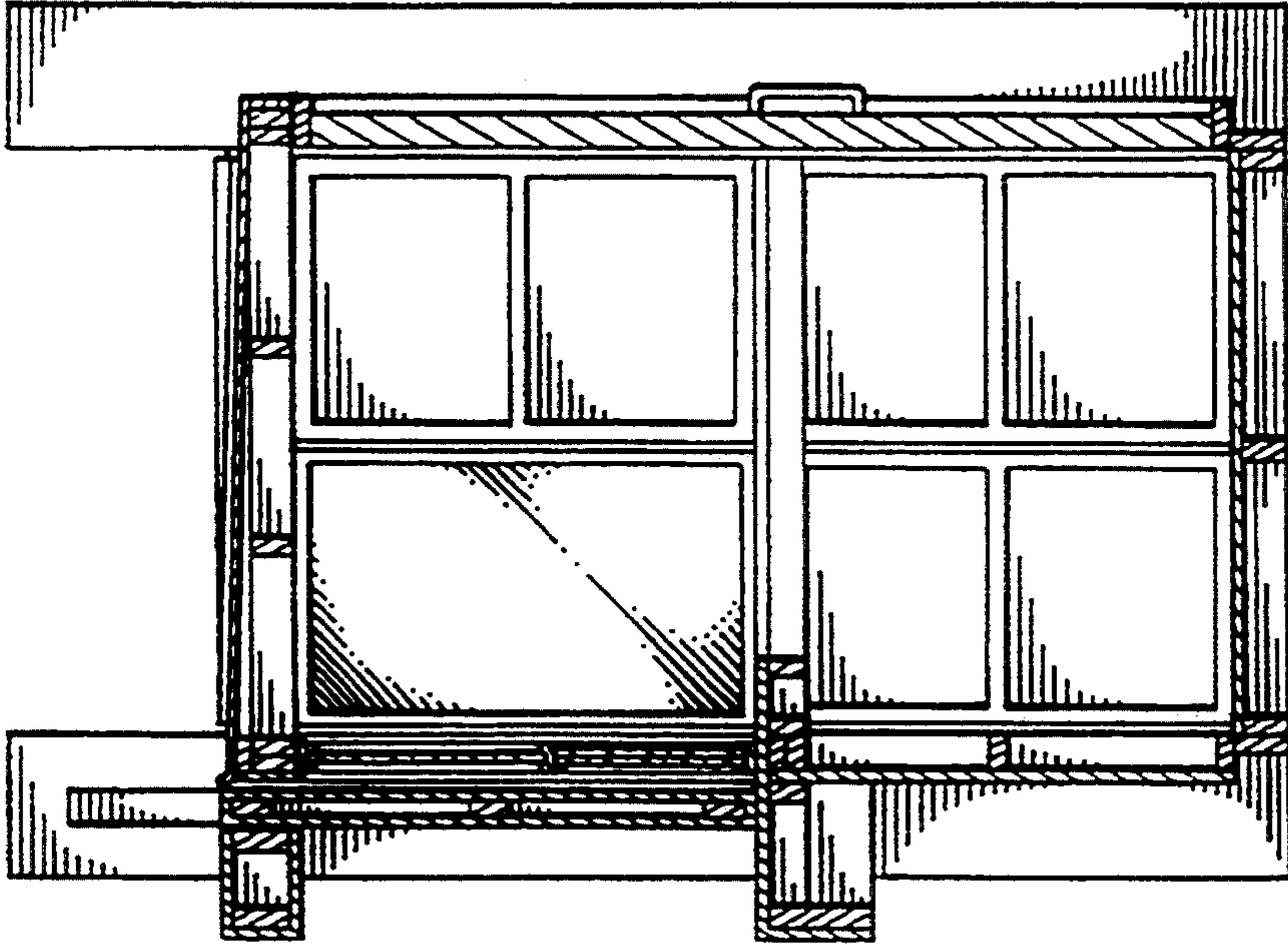


FIG 40

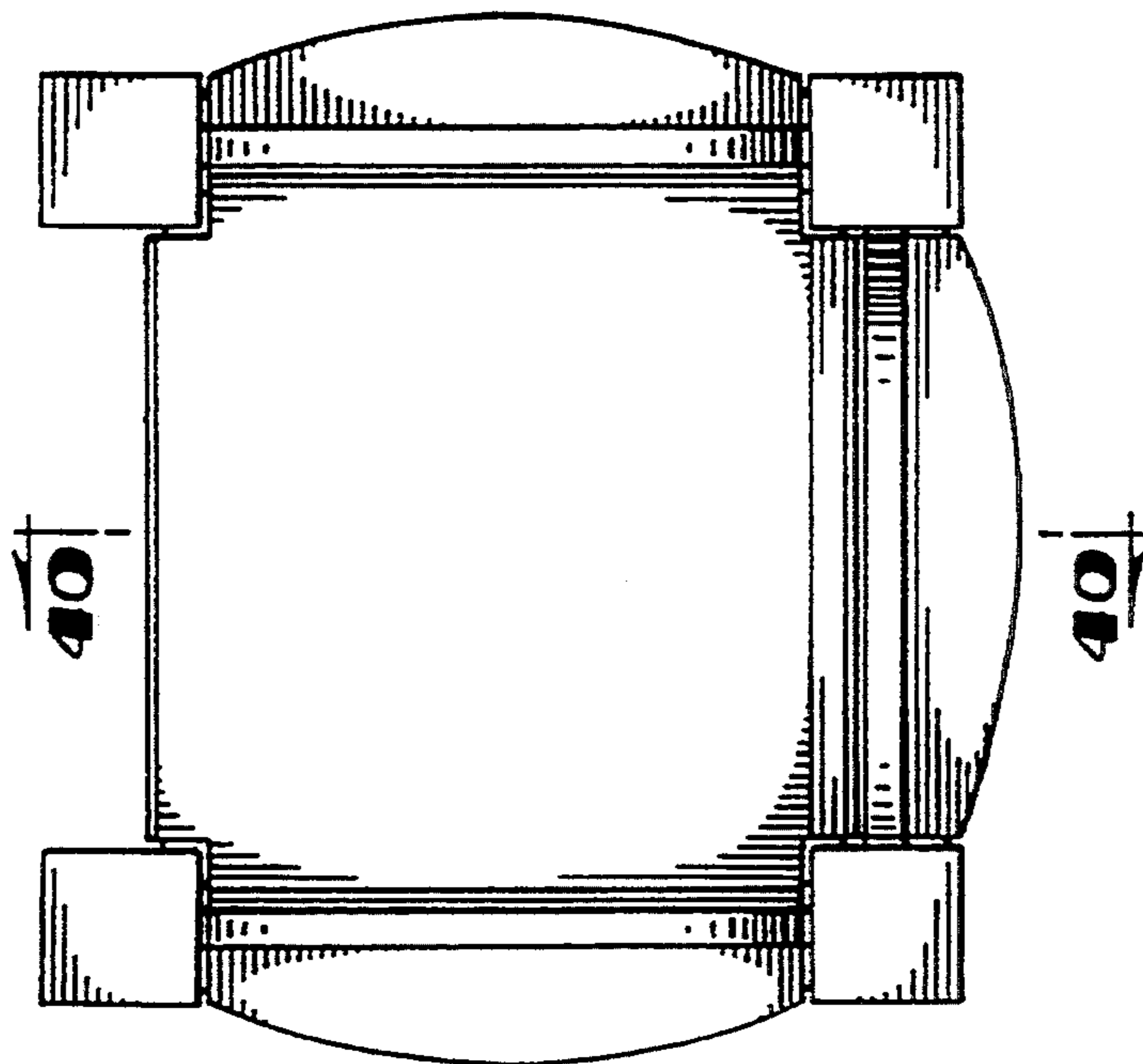


FIG 39