



US00D358660S

United States Patent [19] Swift

[11] Patent Number: **Des. 358,660**

[45] Date of Patent: **** May 23, 1995**

[54] **BOTTLE FOR A LABORATORY ANALYZER**

[75] Inventor: **Philip W. Swift**, Port Jefferson, N.Y.

[73] Assignee: **Ciba Corning Diagnostics Corp.**,
Medfield, Mass.

[**] Term: **14 Years**

[21] Appl. No.: **16,177**

[22] Filed: **Dec. 9, 1993**

[52] U.S. Cl. **D24/224; D9/523;**
D24/121

[58] Field of Search **D24/224, 121; D9/523,**
D9/572, 542; 215/1 C; 422/100, 103, 104, 61

[56] **References Cited**

U.S. PATENT DOCUMENTS

D. 211,928	8/1968	Burnett	D9/543
D. 258,720	3/1981	Evans et al.	D9/500
D. 287,638	1/1987	Moore et al.	D24/224
D. 296,668	7/1988	Stavish	D24/224 X
4,782,945	11/1988	Geiler et al.	215/16 X
5,145,646	9/1992	Tyranski	422/102
5,152,965	10/1992	Fisk et al.	422/102
5,273,715	12/1993	Bridgham et al.	422/100 X

Primary Examiner—A. Hugo Word

Assistant Examiner—I. Simmons

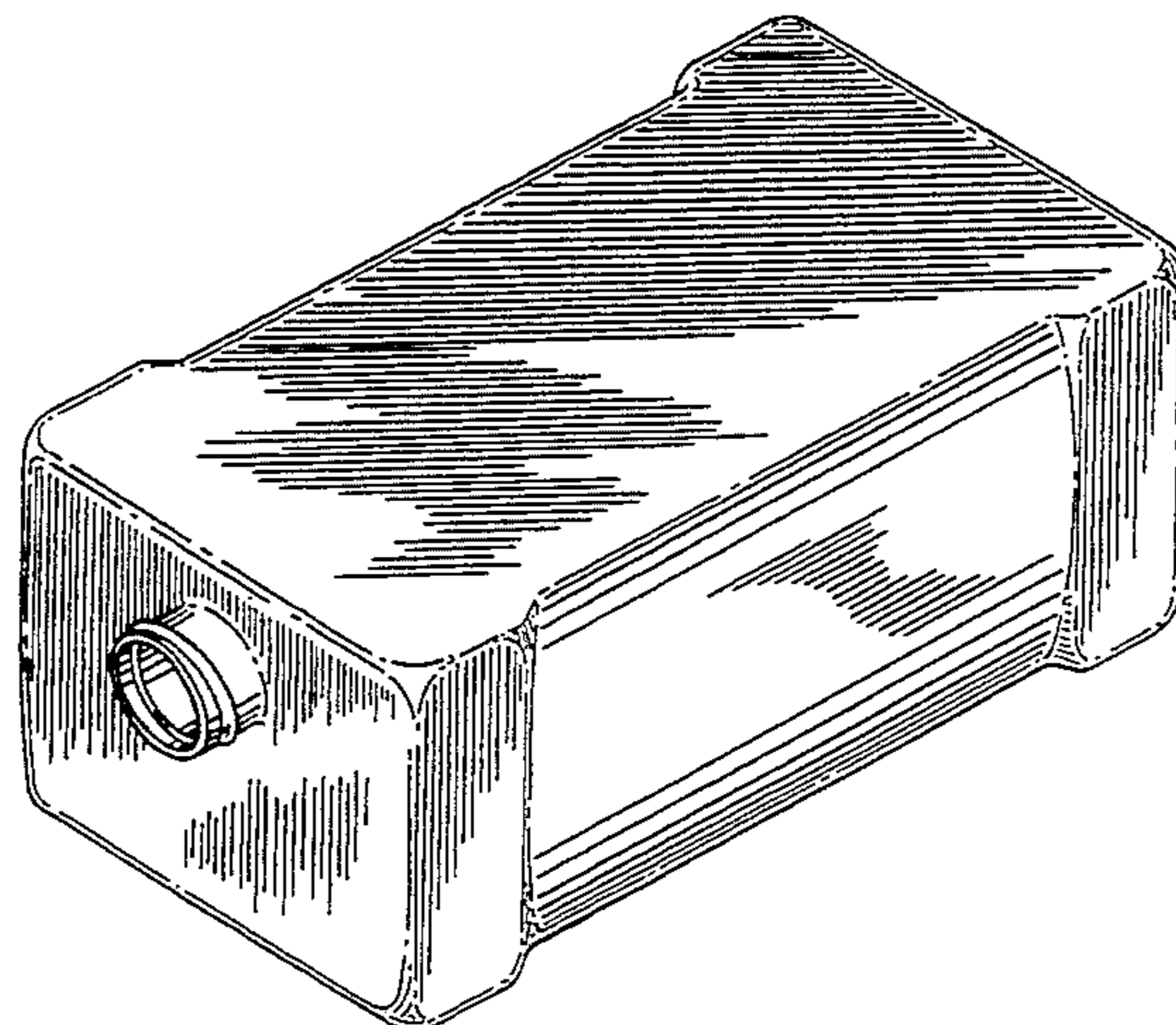
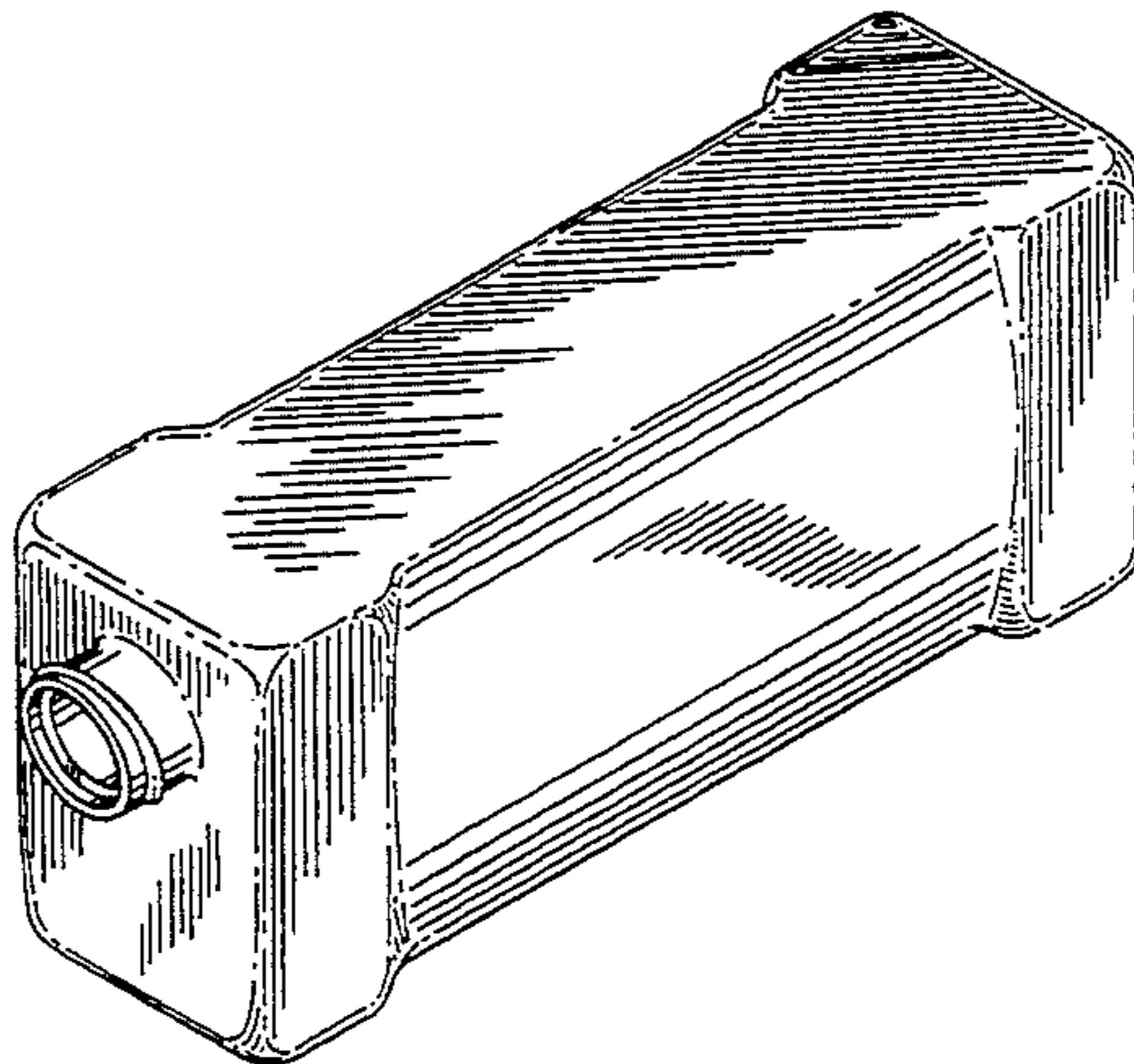
Attorney, Agent, or Firm—Nicholas I. Slepchuk, Jr.;
Arthur S. Morgenstern; Judith A. Roesler

[57] **CLAIM**

The ornamental design for a bottle for a laboratory analyzer, as shown and described.

DESCRIPTION

FIG. 1 is a prospective view of a bottle for a laboratory analyzer showing my new design;
 FIG. 2 is a front elevational view of FIG. 1;
 FIG. 3 is a cross-sectional view of FIG. 5 taken along the line III—III;
 FIG. 4 is a rear elevational view of FIG. 1;
 FIG. 5 is a side elevational view of FIG. 1, the opposite side elevational view being a mirror image thereof;
 FIG. 6 is a prospective view of a second embodiment of FIG. 1;
 FIG. 7 is a front elevational view of FIG. 6;
 FIG. 8 is a cross-sectional view of FIG. 10 taken along the line VIII—VIII;
 FIG. 9 is a rear elevational view of FIG. 6; and,
 FIG. 10 is a side elevational view of FIG. 6, the opposite side elevational view being a mirror image thereof;



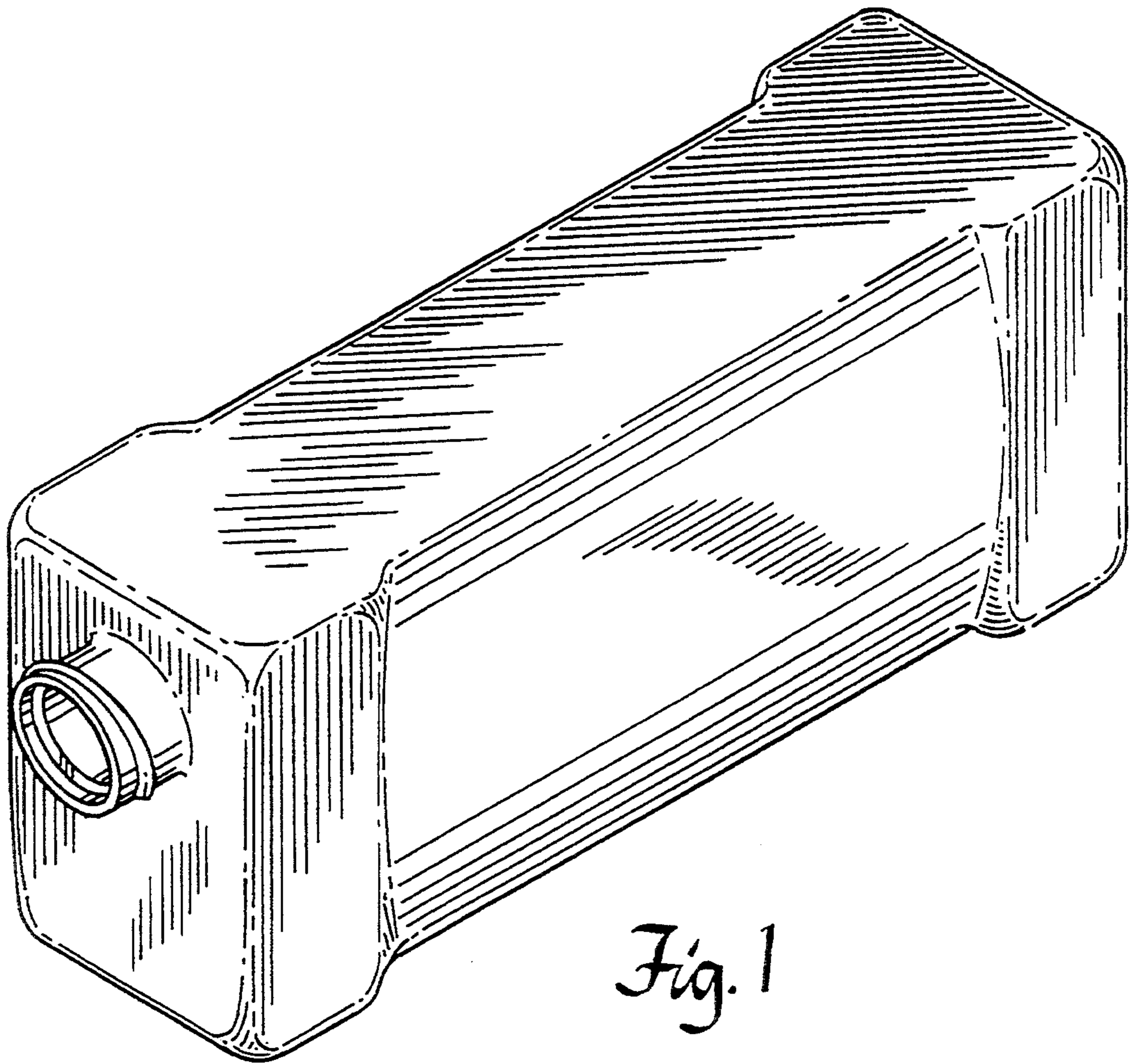
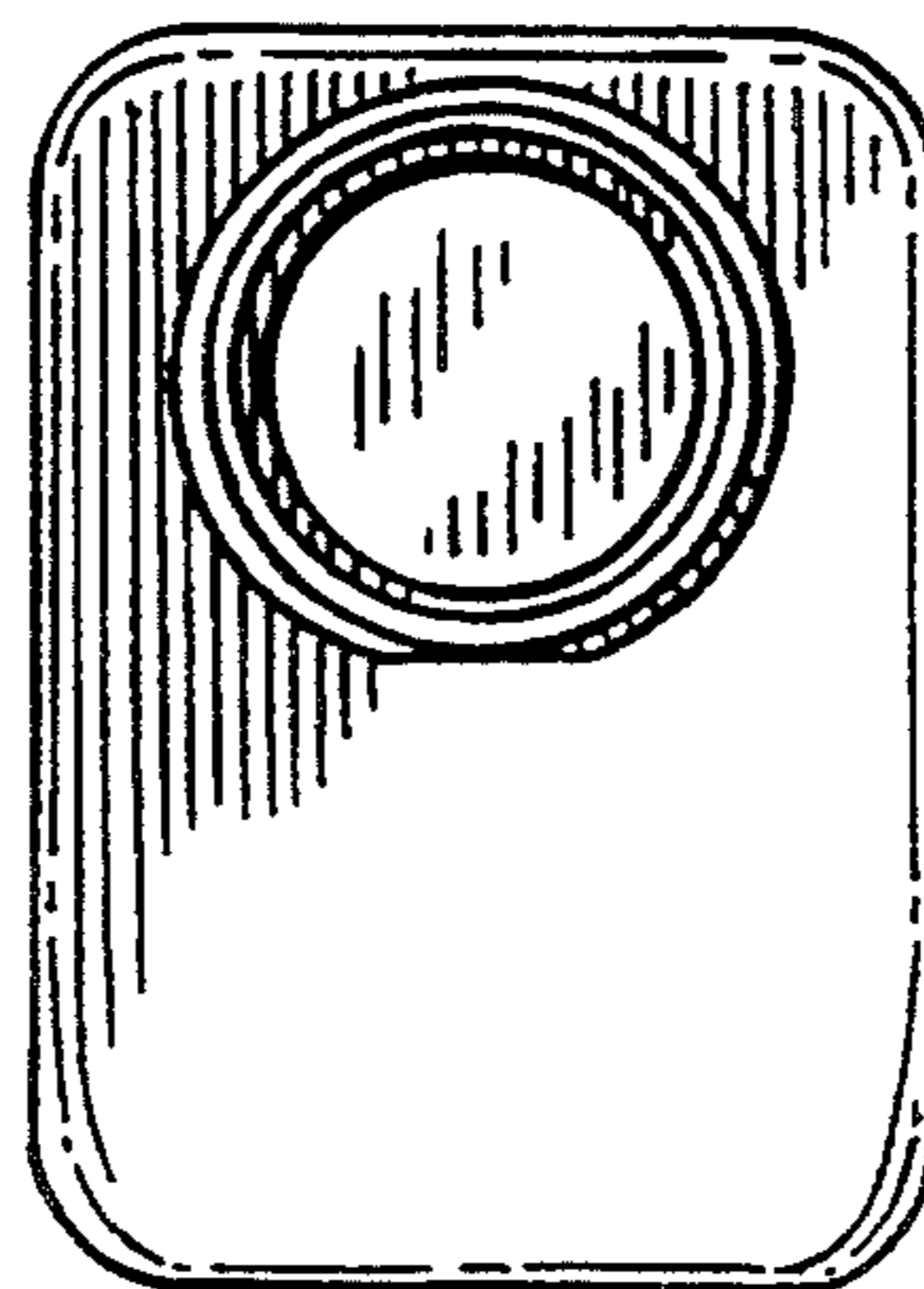


Fig. 1

Fig. 2



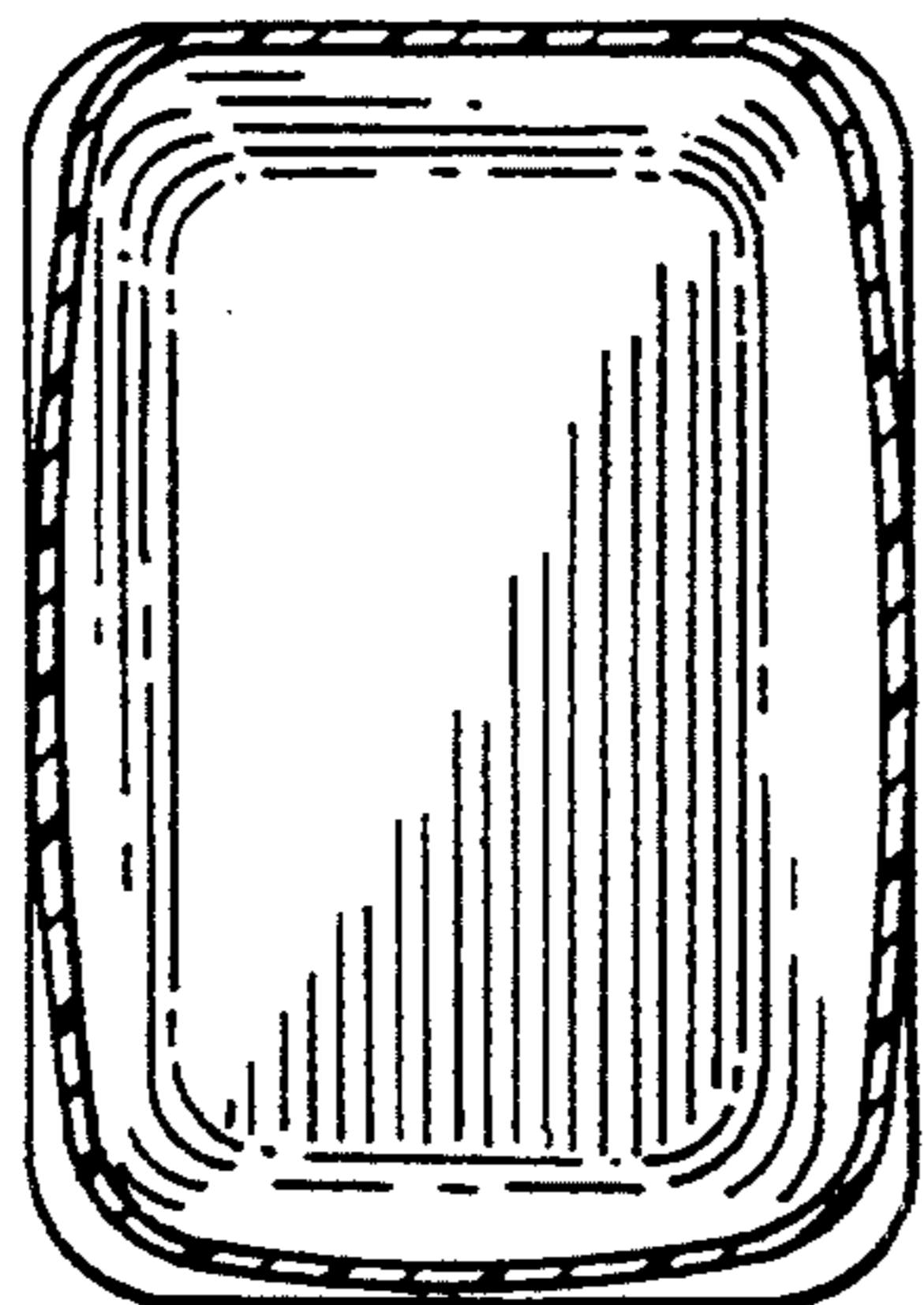


Fig. 3

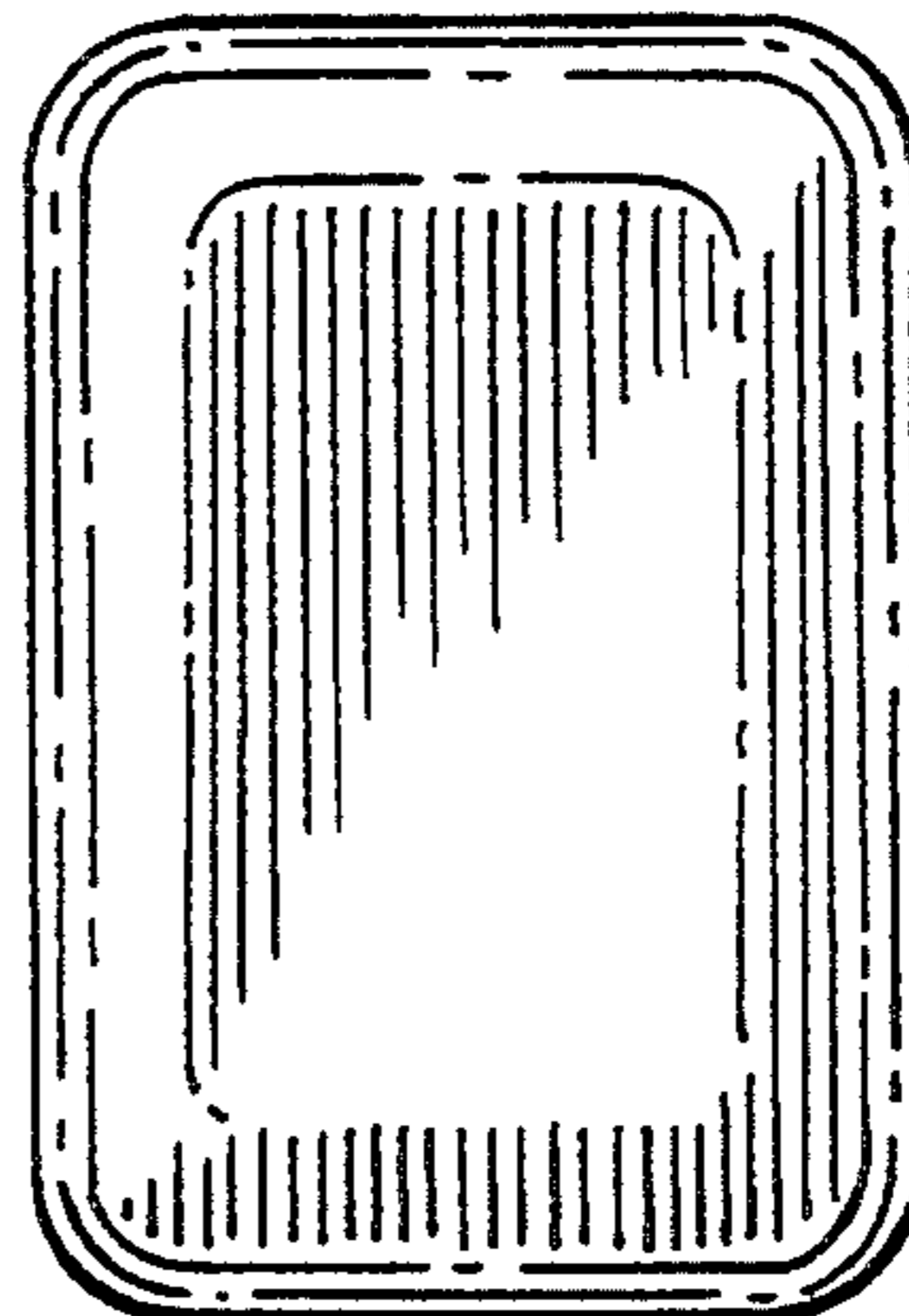


Fig. 4

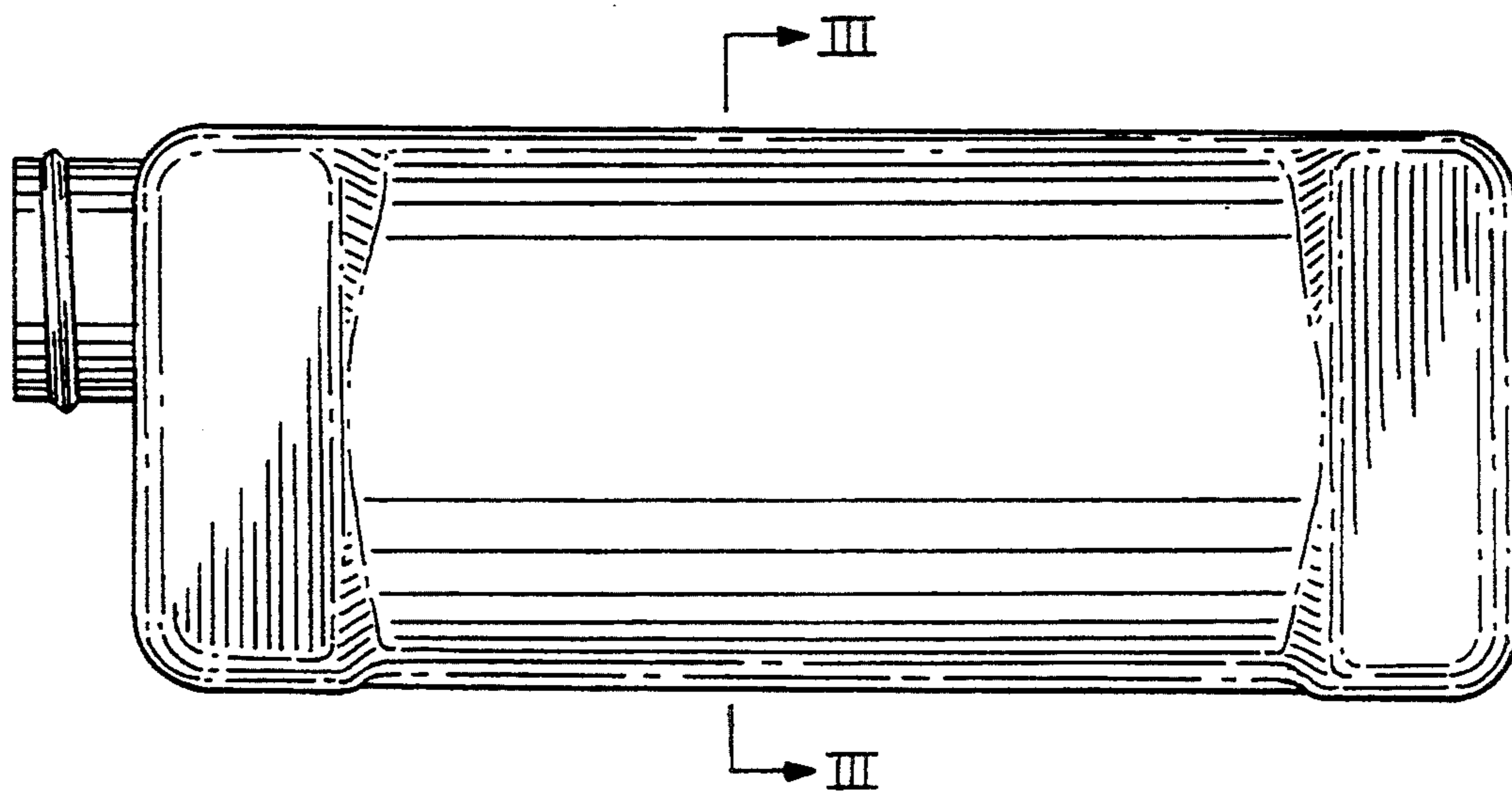


Fig. 5

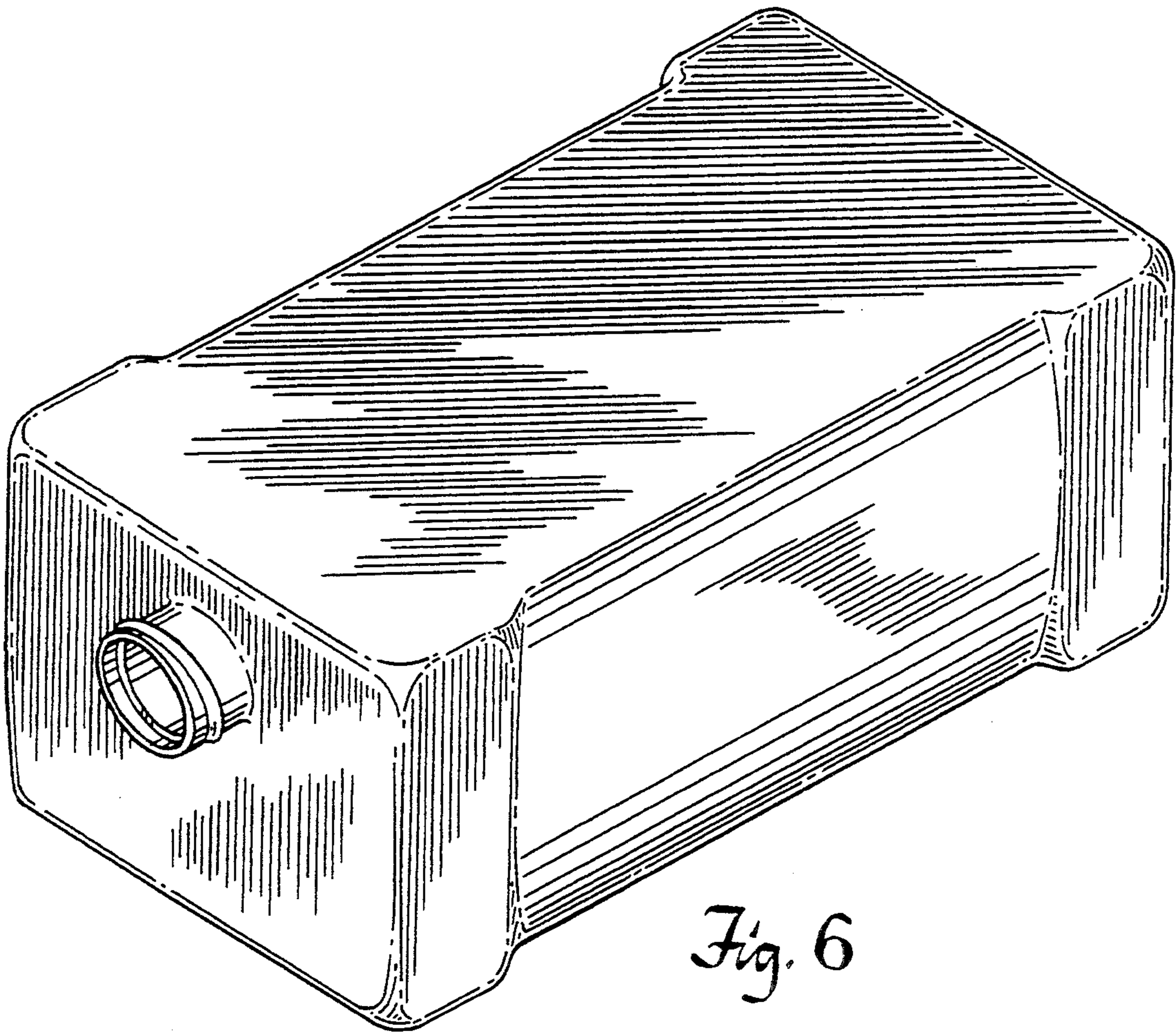
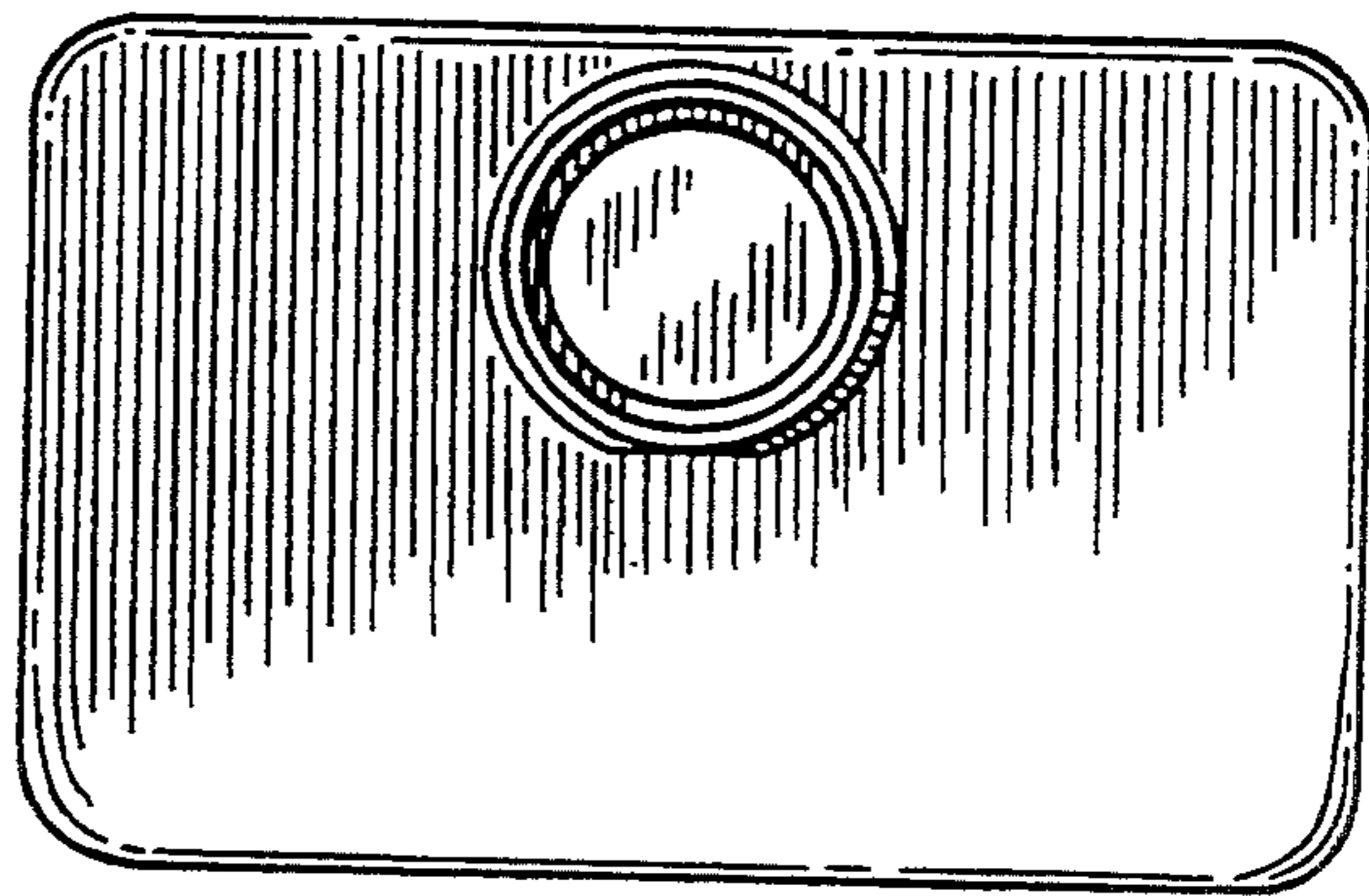


Fig. 6

Fig. 7



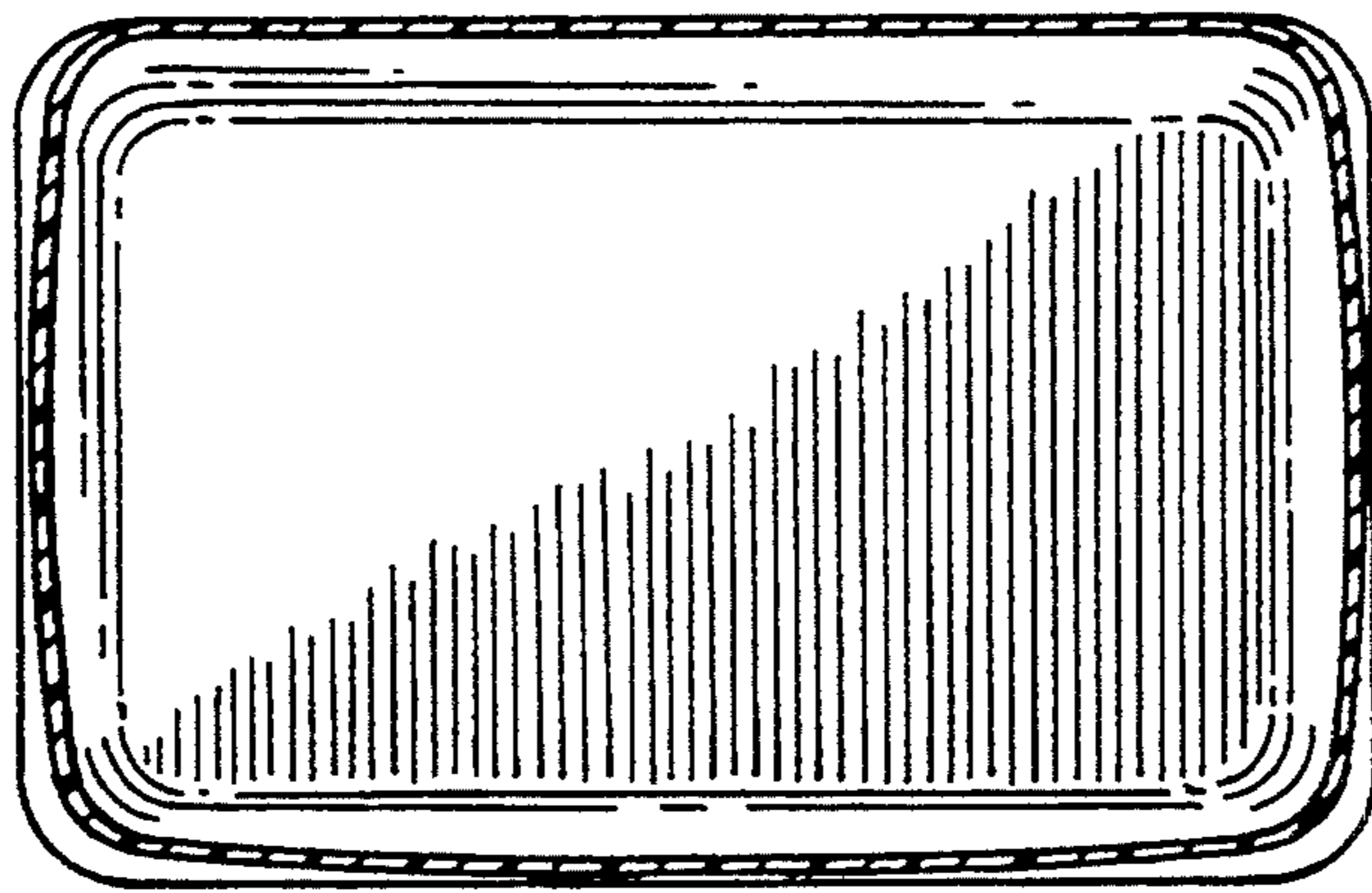


Fig. 8

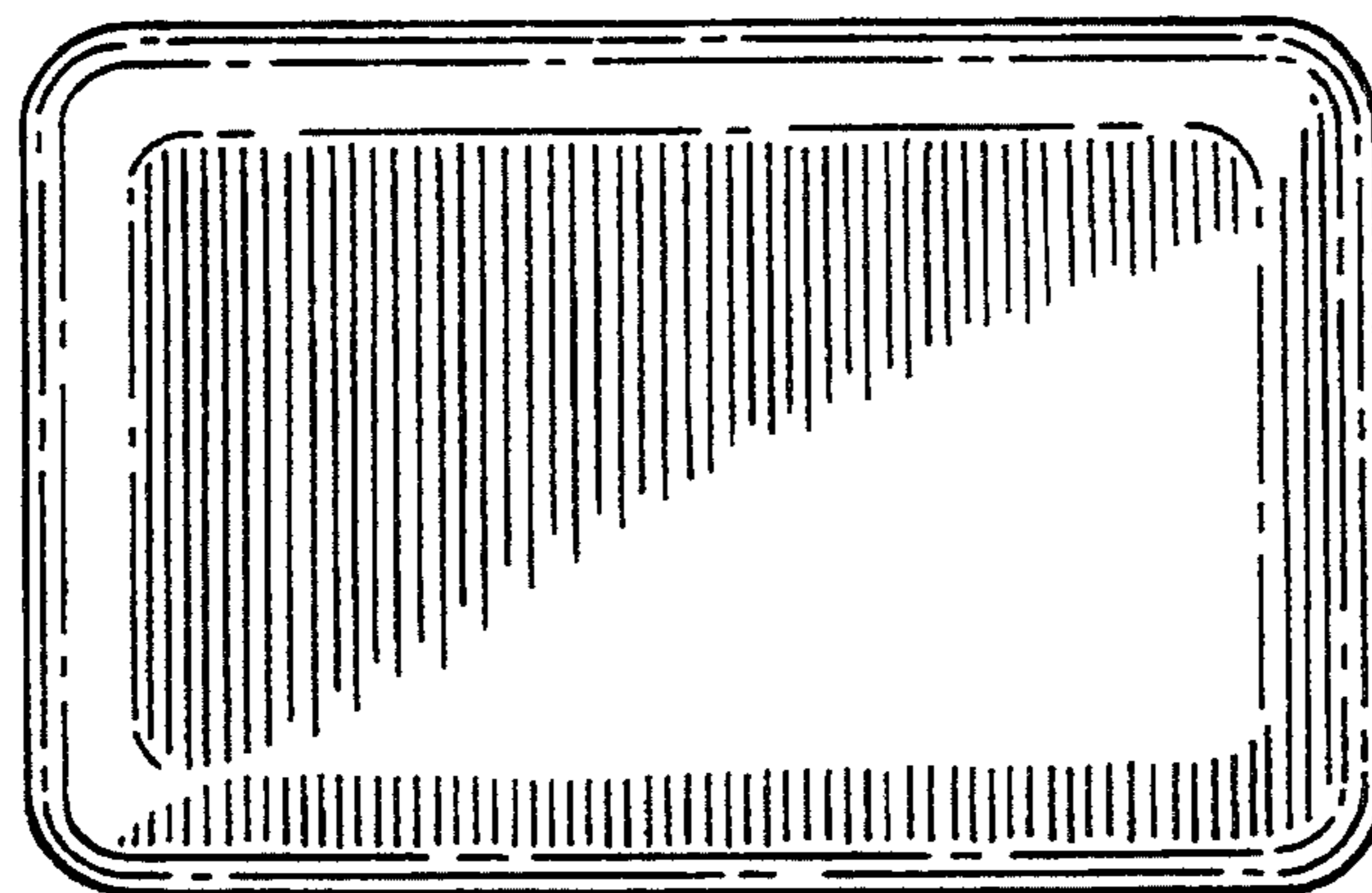
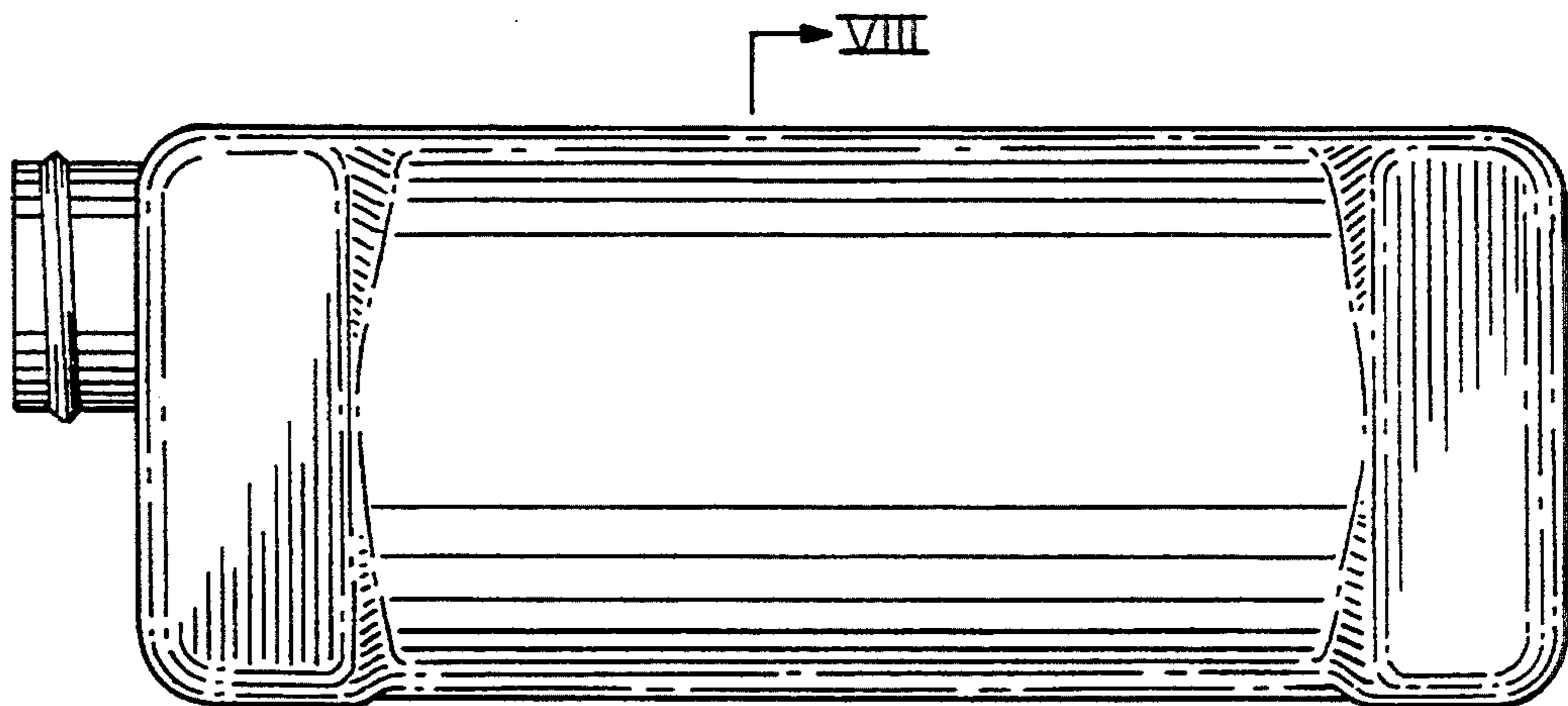


Fig. 9



VIII

VIII

Fig. 10