



US00D358658S

**United States Patent** [19]  
**Chen**

[11] **Patent Number: Des. 358,658**

[45] **Date of Patent: \*\* May 23, 1995**

[54] **CONTACT LENSES CLEANER**

[76] **Inventor: Shun-Chi Chen, 2 Fl., No. 27,  
An-Chung Rd., Hsin-Tien City,  
Taichung Hsien, Taiwan, Prov. of  
China**

[\*\*] **Term: 14 Years**

[21] **Appl. No.: 16,589**

[22] **Filed: Dec. 20, 1993**

[52] **U.S. Cl. .... D24/218**

[58] **Field of Search ..... D24/218, 217, 216;  
134/901, 158, 162; 422/300, 302, 297, 299, 307;  
219/521**

[56] **References Cited**

**U.S. PATENT DOCUMENTS**

D. 269,999 8/1983 Hoogesteger ..... D24/218

D. 281,812 12/1985 Franczak et al. .... D24/218  
4,228,136 10/1980 Thomas ..... 134/901  
4,242,572 12/1980 Thomas et al. .... 422/300 X  
4,957,128 9/1990 Chen ..... 134/901

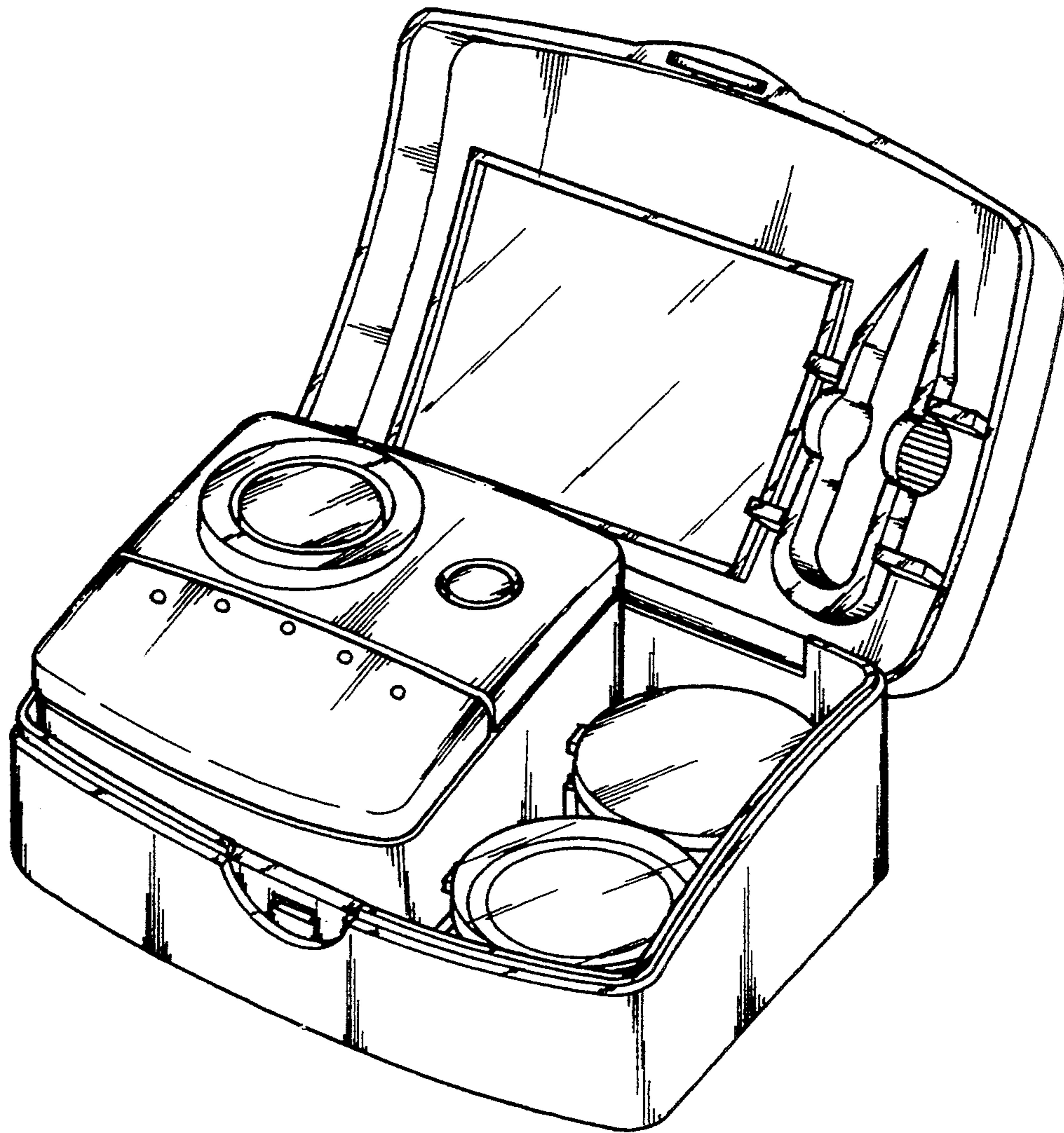
*Primary Examiner—Stella Reid  
Attorney, Agent, or Firm—Bacon & Thomas*

[57] **CLAIM**

The ornamental design for a contact lenses cleaner, as shown and described.

**DESCRIPTION**

FIG. 1 is a perspective view of a contact lenses cleaner showing my new design thereof;  
FIG. 2 is a front elevational view thereof;  
FIG. 3 is a rear elevational view thereof;  
FIG. 4 is a left side elevational view and the right side elevational view being the mirror image thereof;  
FIG. 5 is a top plan view thereof; and,  
FIG. 6 is a bottom plan view thereof.



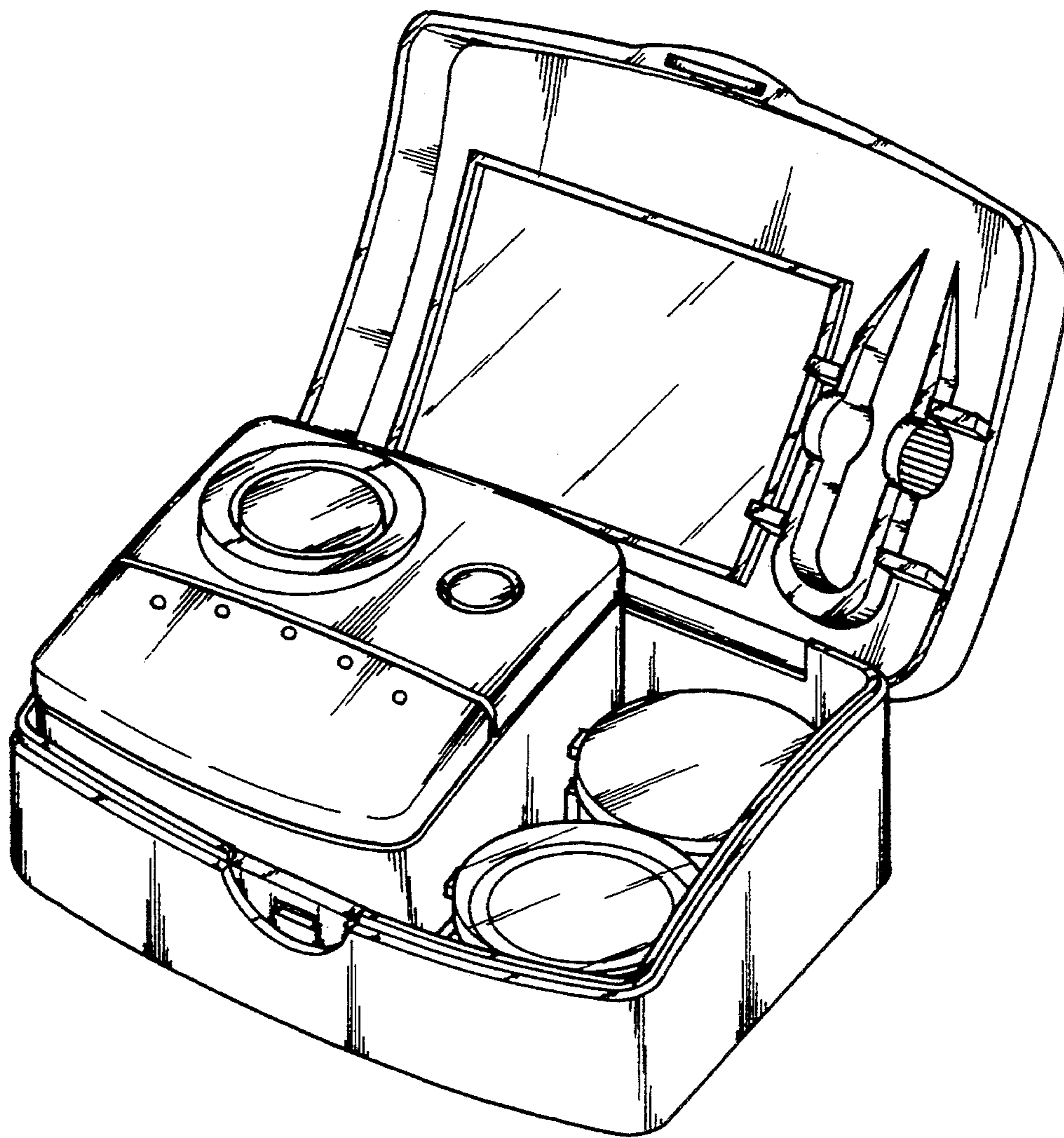


Fig. 1

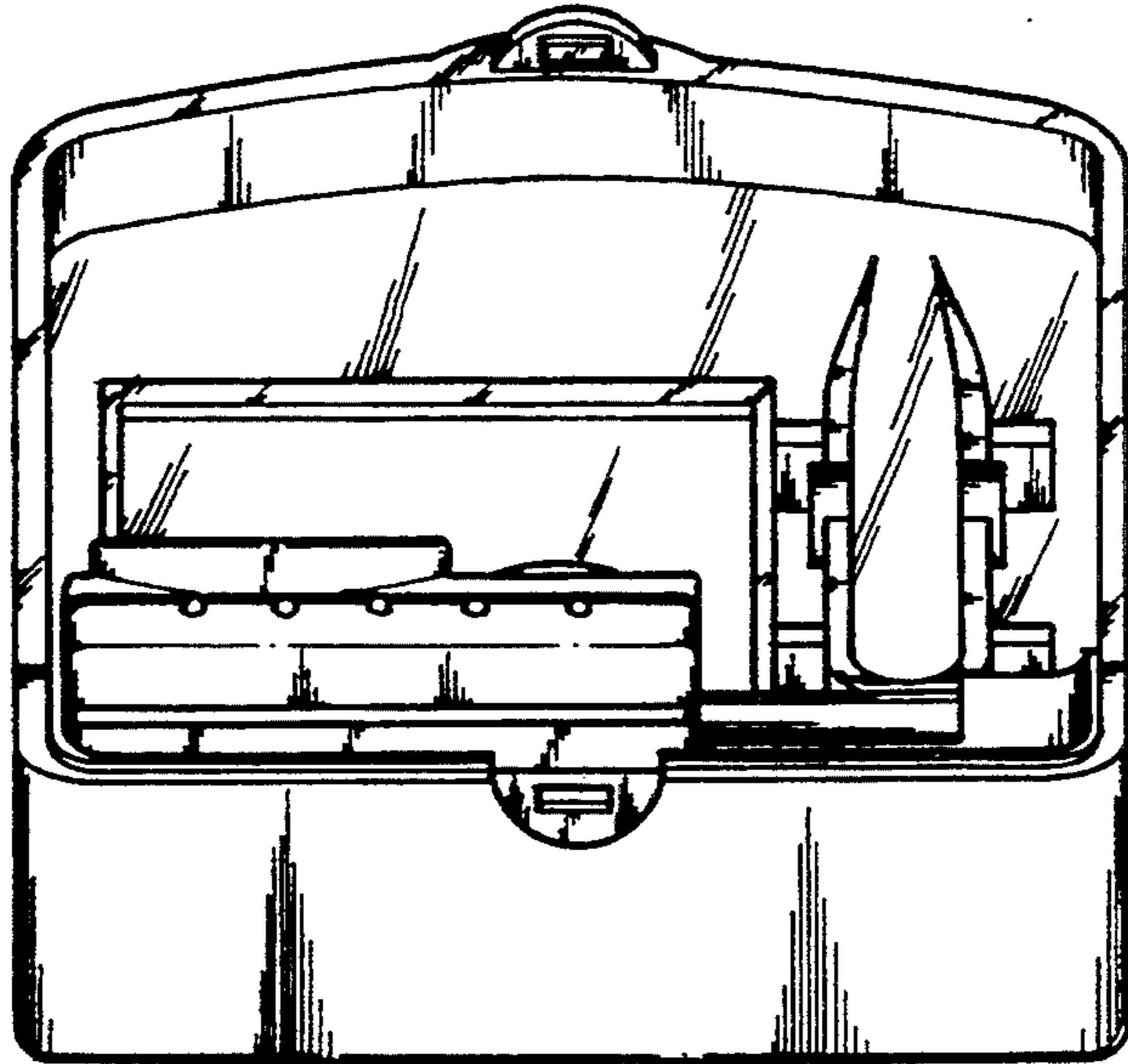


Fig. 2

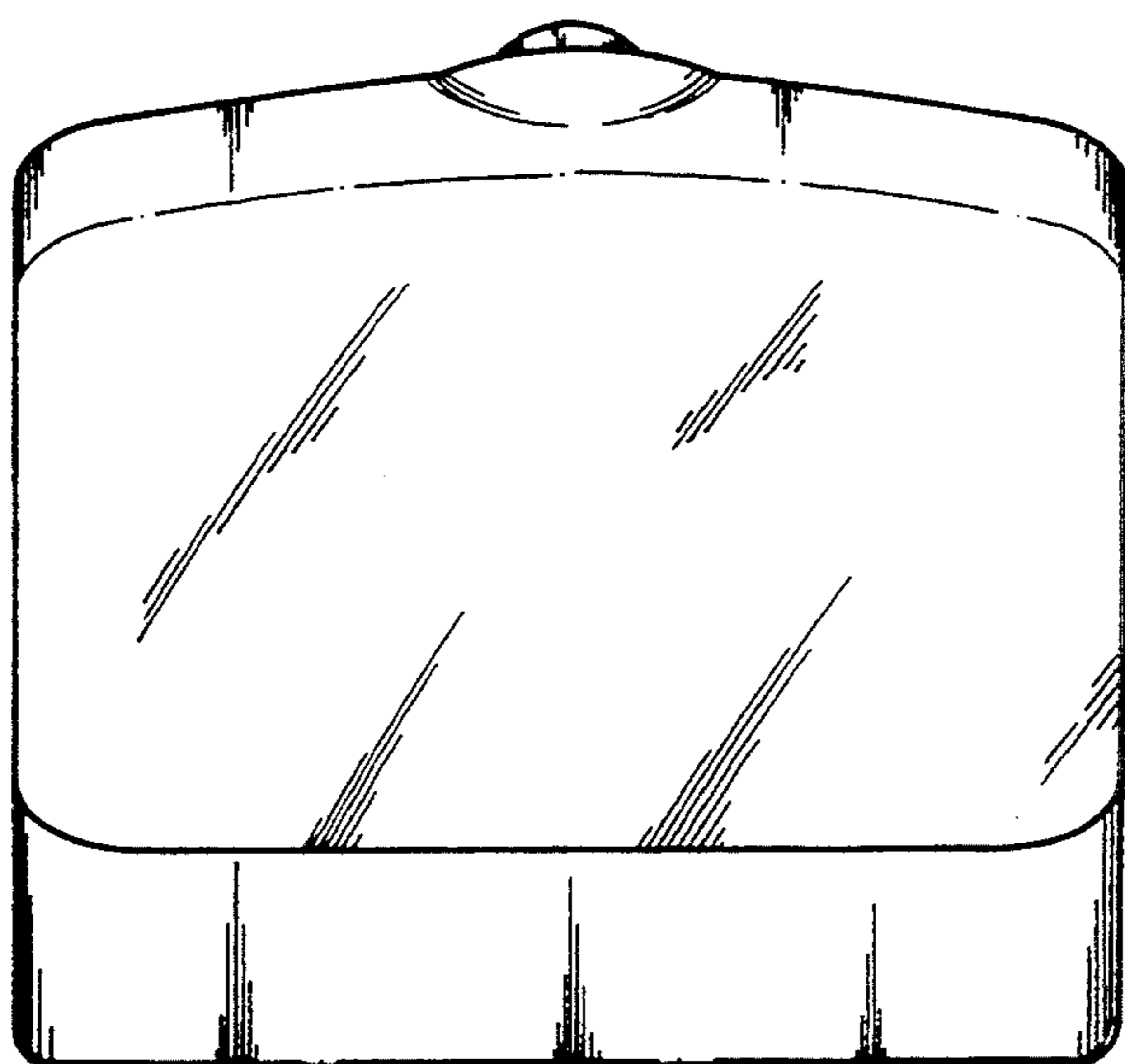


Fig. 3

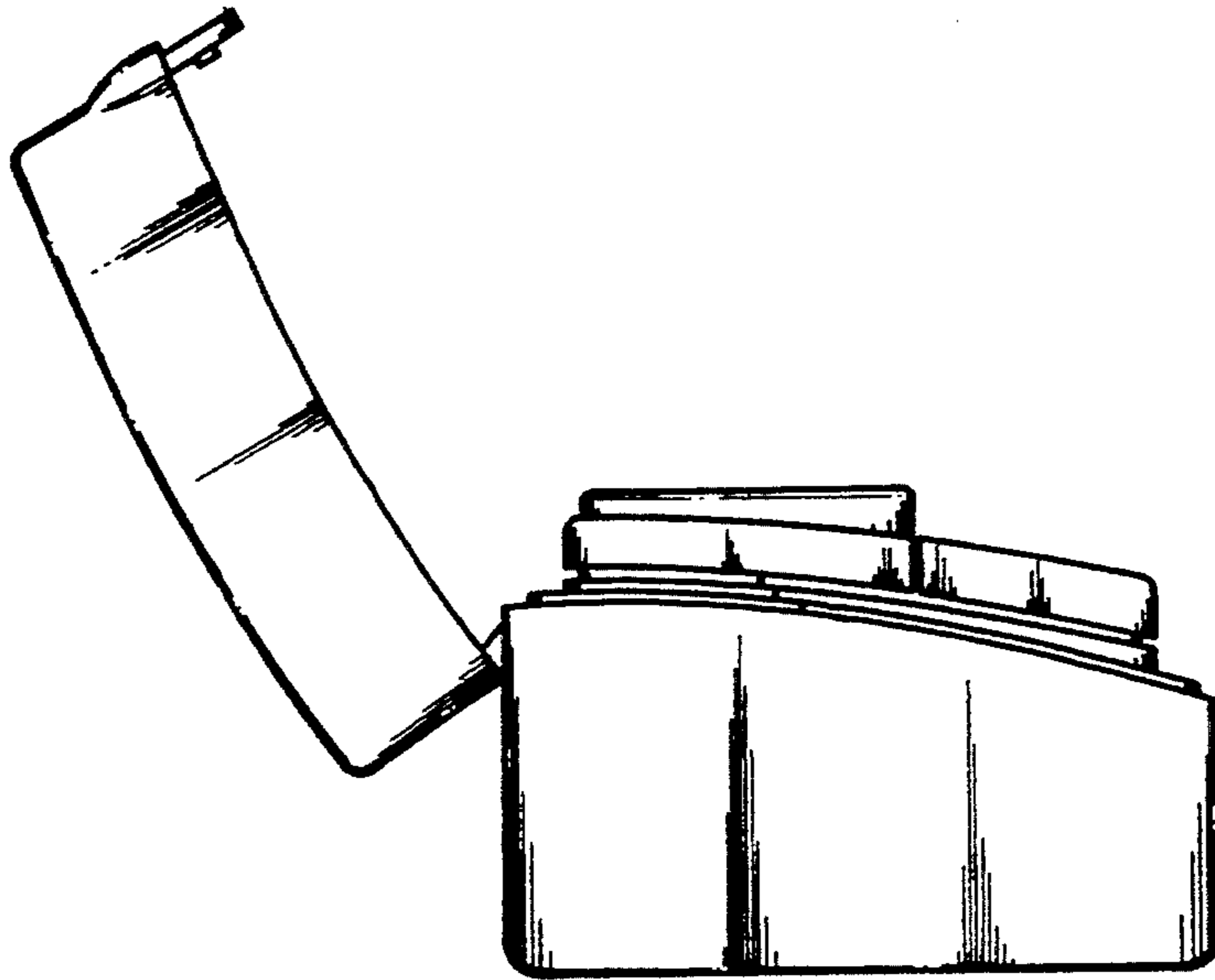


Fig.4

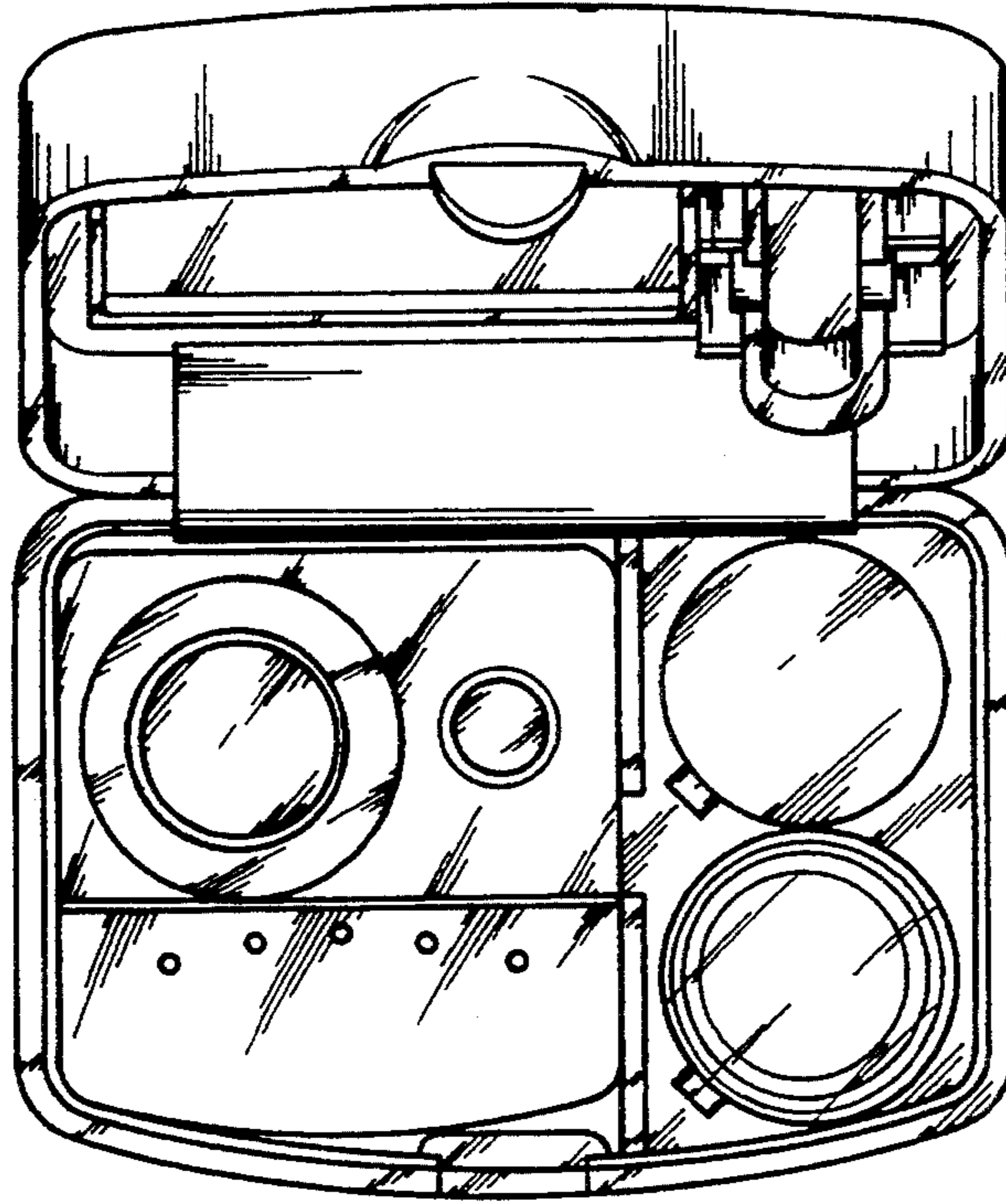


Fig.5

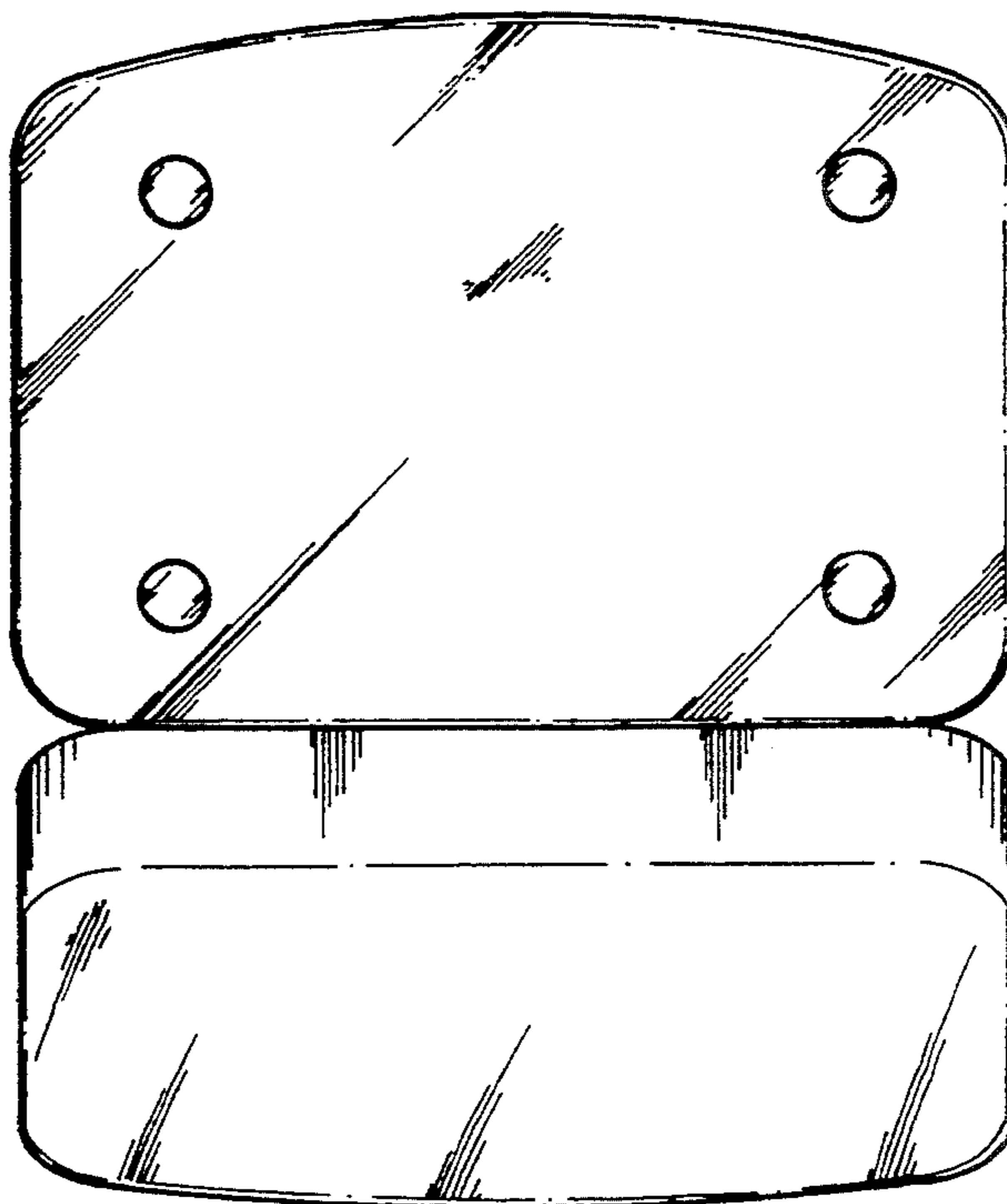


Fig.6