



US00D358655S

United States Patent [19]

[11] Patent Number: **Des. 358,655**

Ivy

[45] Date of Patent: **** May 23, 1995**

[54] **ROLLING SWIVEL WAND MASSAGER**

[75] Inventor: **Donald Ivy, Waynesboro, Miss.**

[73] Assignee: **Sunbeam Corporation, Fort Lauderdale, Fla.**

[**] Term: **14 Years**

[21] Appl. No.: **26,915**

[22] Filed: **Aug. 9, 1994**

[52] U.S. Cl. **D24/211; D24/214**

[58] Field of Search **D24/200, 211, 212, 214, D24/215; 601/72, 73, 70, 19, 20, 131, 119**

[56] **References Cited**

U.S. PATENT DOCUMENTS

- D. 182,123 2/1958 Kaliski .
- D. 276,652 12/1984 O'Brien et al. .
- D. 285,724 9/1986 Grundler et al. .
- D. 293,471 12/1987 Sato .
- D. 315,408 3/1991 Duk D24/211
- D. 329,290 9/1992 Geneve et al. D24/211
- D. 342,138 12/1993 Wollman et al. D24/214
- D. 349,771 8/1994 Heiligenstein et al. D24/211
- 4,744,350 5/1988 Sato 601/119
- 4,846,158 7/1989 Teranishi 601/72

Primary Examiner—Stella Reid

Attorney, Agent, or Firm—Michael J. Kline; Darren E. Wolf

[57] **CLAIM**

The ornamental design for a rolling swivel wand massager, as shown and described.

DESCRIPTION

FIG. 1 is an isometric view of a massager in accordance with the present invention;

FIG. 2 is a top plan view of the massager of FIG. 1.

FIG. 3 is a bottom plan view of the massager of FIG. 1;

FIG. 4 is a left side elevational view of the massager of FIG. 1;

FIG. 5 is a right side elevational view of the massager of FIG. 1;

FIG. 6 is a front side elevational view of the massager of FIG. 1;

FIG. 7 is a rear side elevational view of the massager of FIG. 1;

FIG. 8 is a top plan view of the massager of FIG. 1 with the handle means rotated 90°;

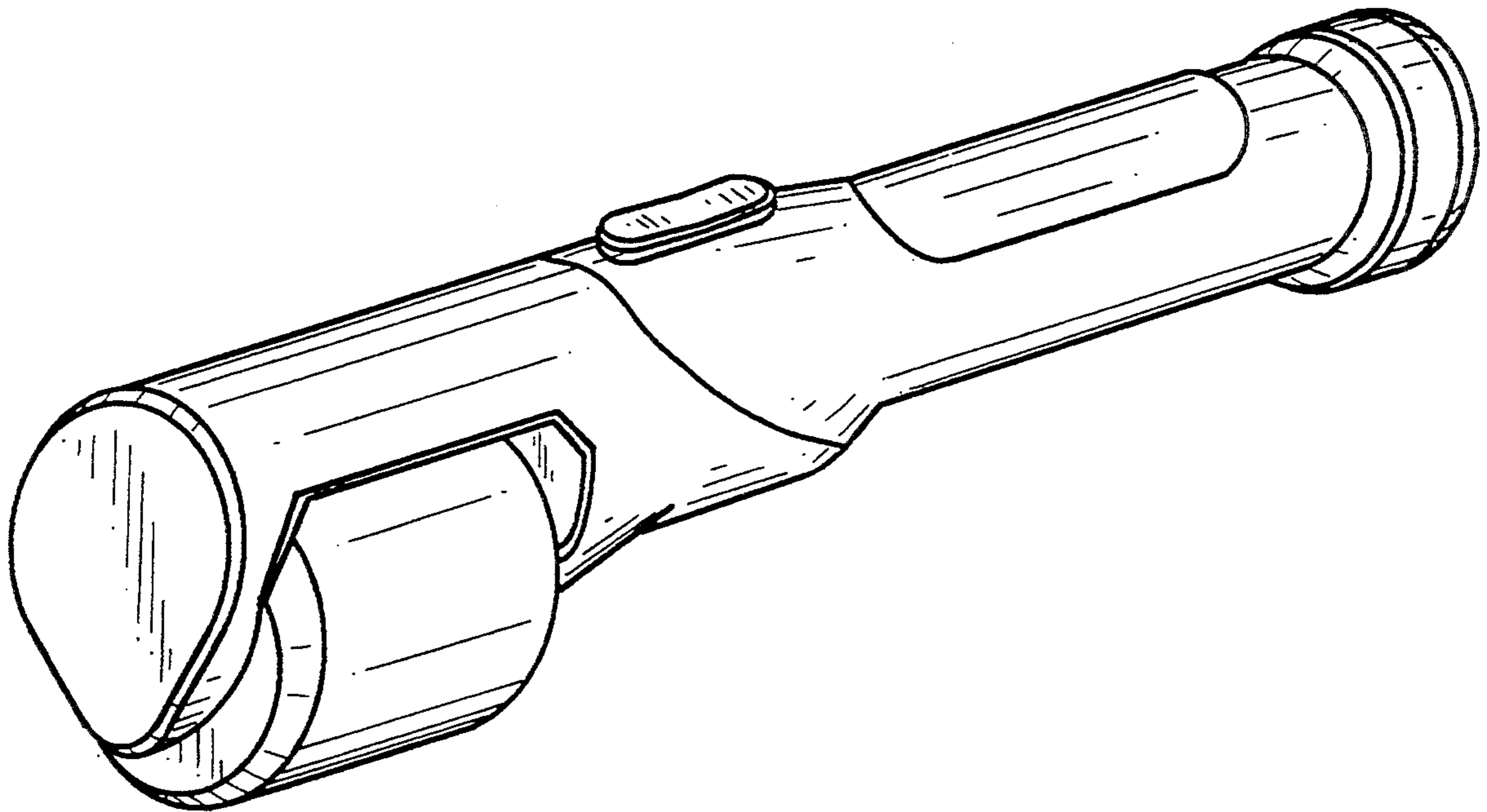
FIG. 9 is a bottom plan view of the massager of FIG. 1 with the handle means rotated 90°;

FIG. 10 is a left side elevational view of the massager of FIG. 1 with the handle means rotated 90°;

FIG. 11 is a right side elevational view of the massager of FIG. 1 with the handle means rotated 90°;

FIG. 12 is a front elevational view of the massager of FIG. 1 with the handle means rotated 90°; and,

FIG. 13 is a rear elevational view of the massager of FIG. 1 with the handle means rotated 90°.



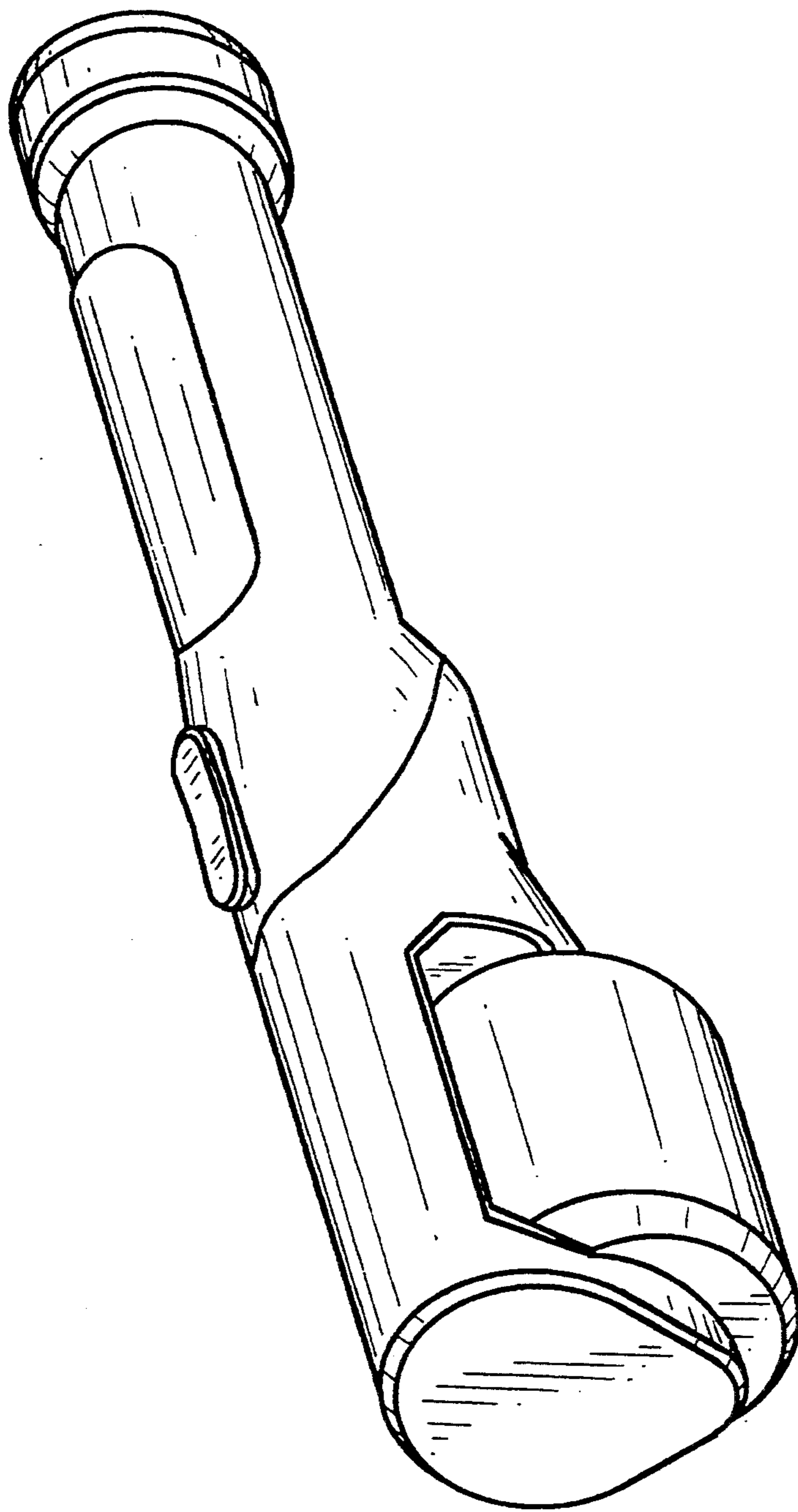


FIG. 1

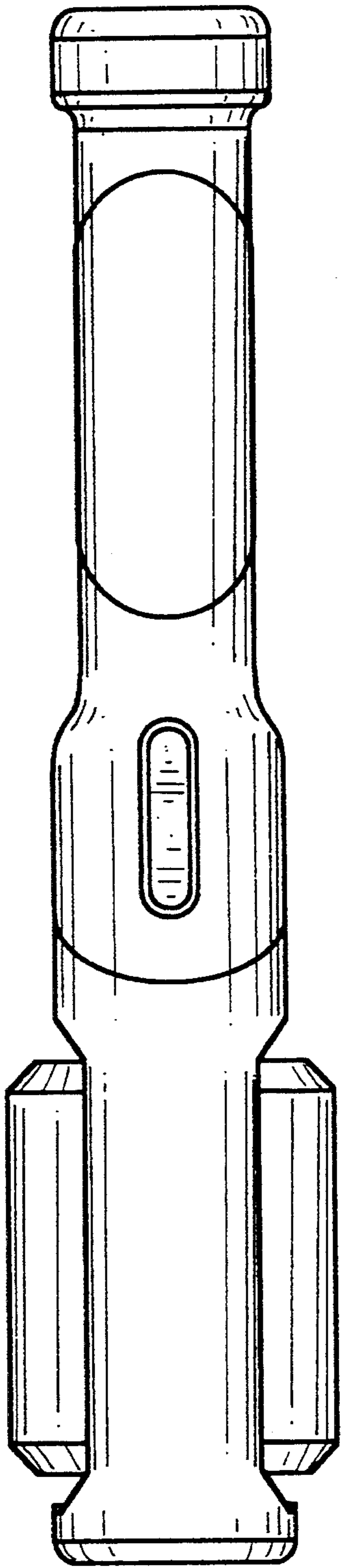


FIG. 2

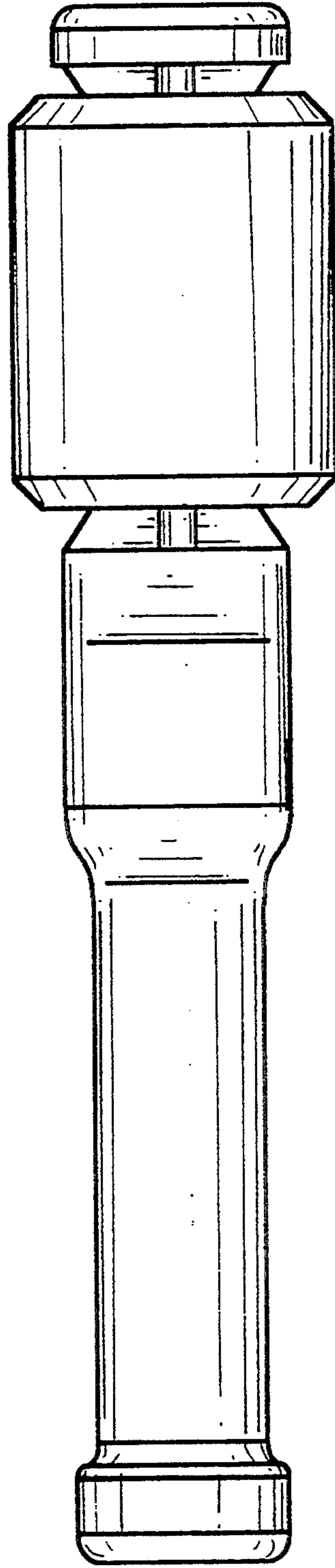


FIG. 3

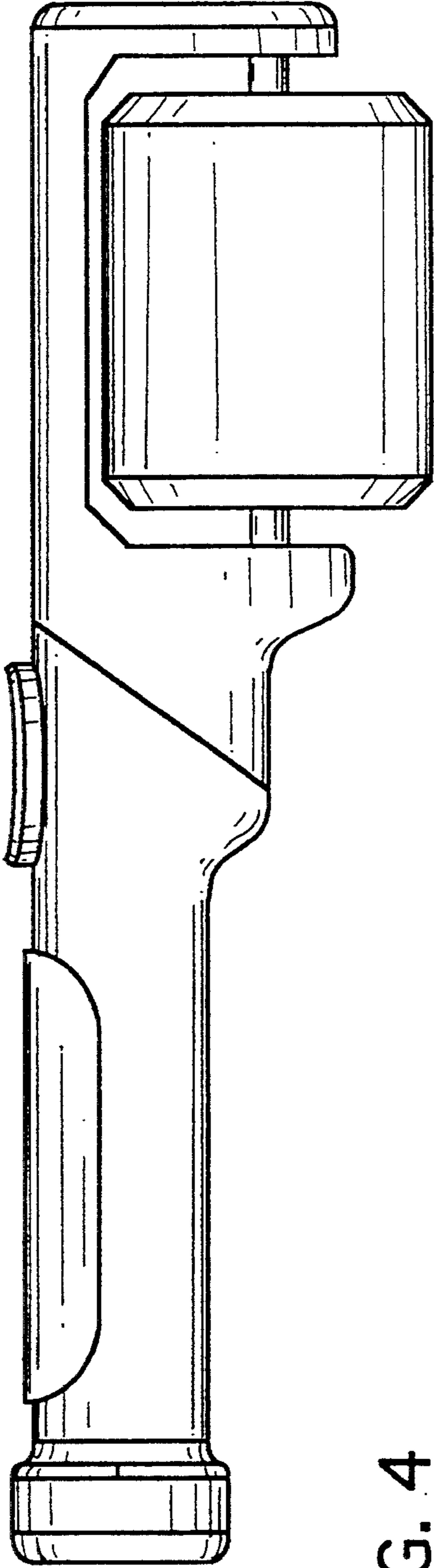


FIG. 4

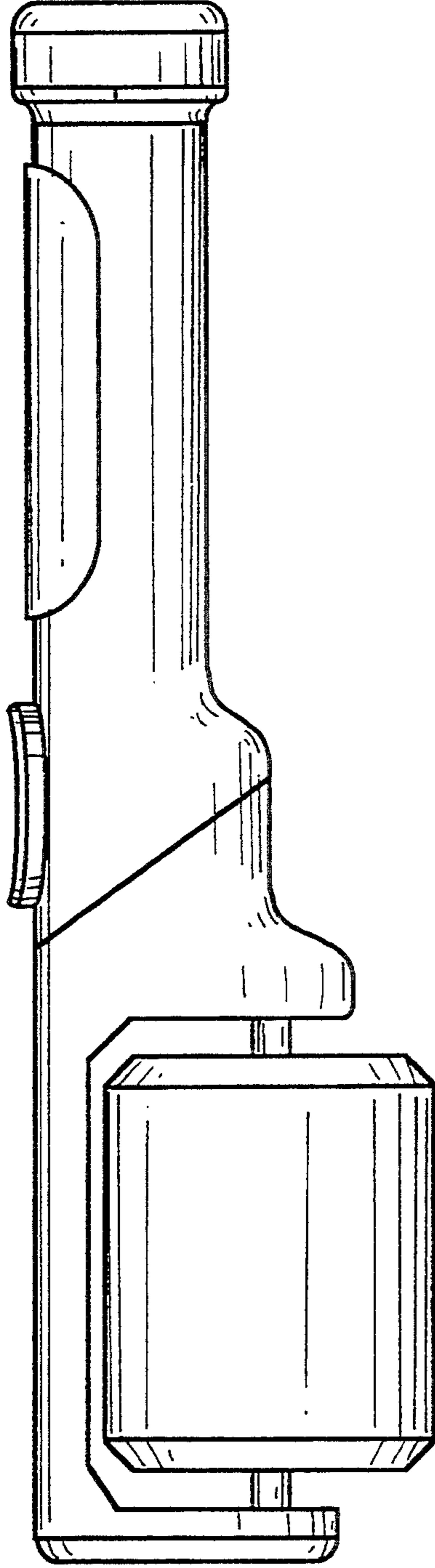


FIG. 5

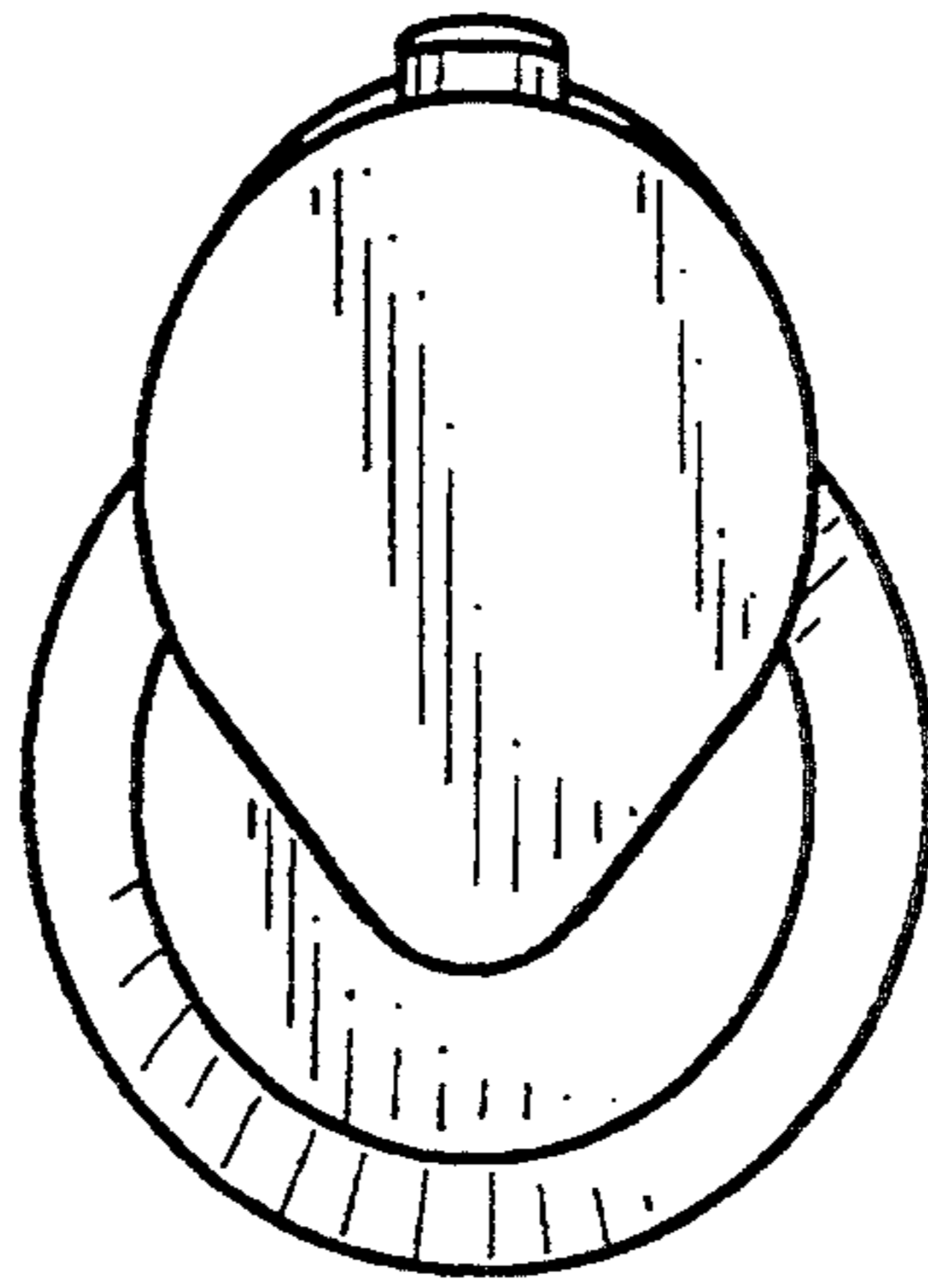


FIG. 6

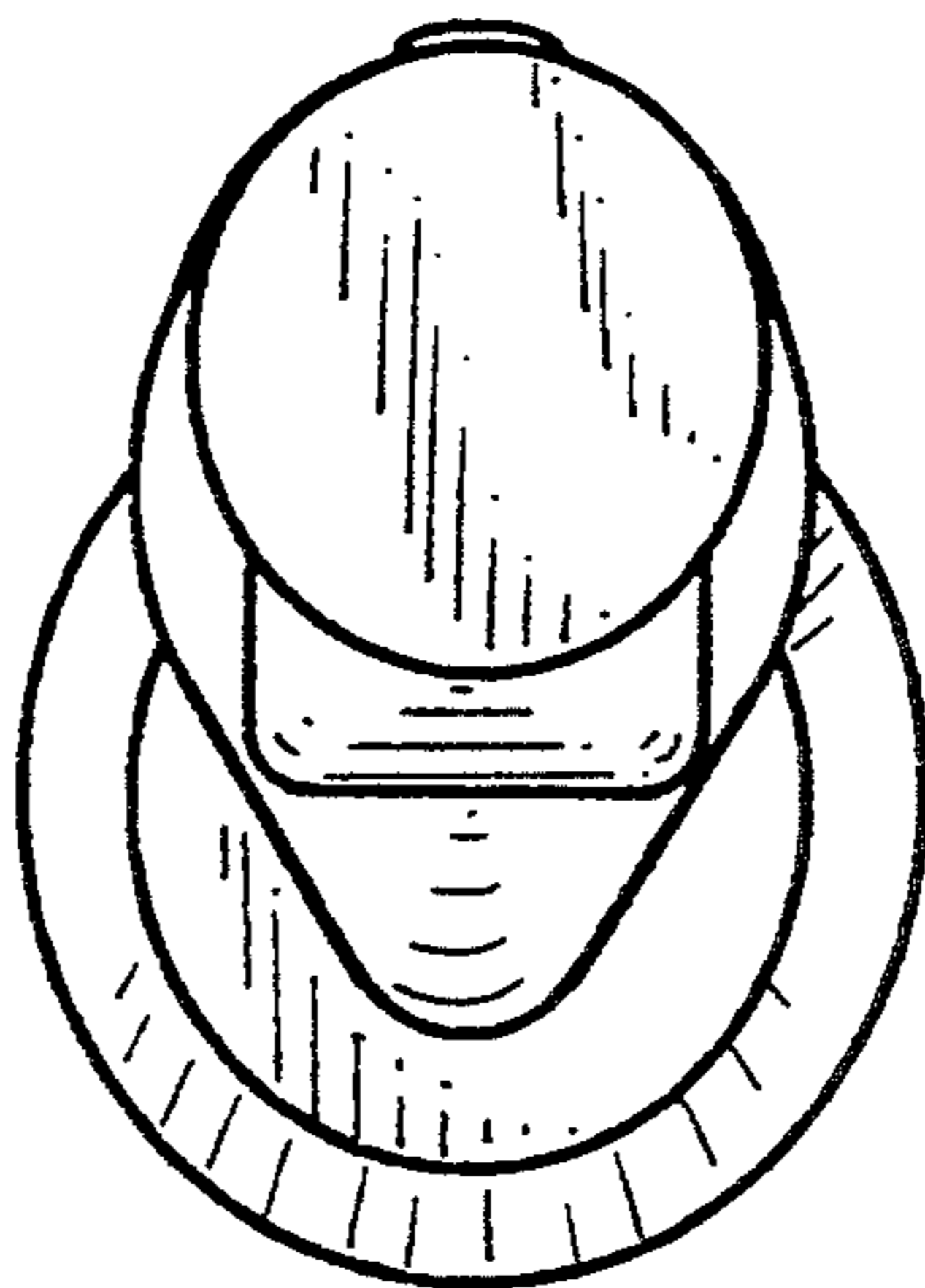


FIG. 7

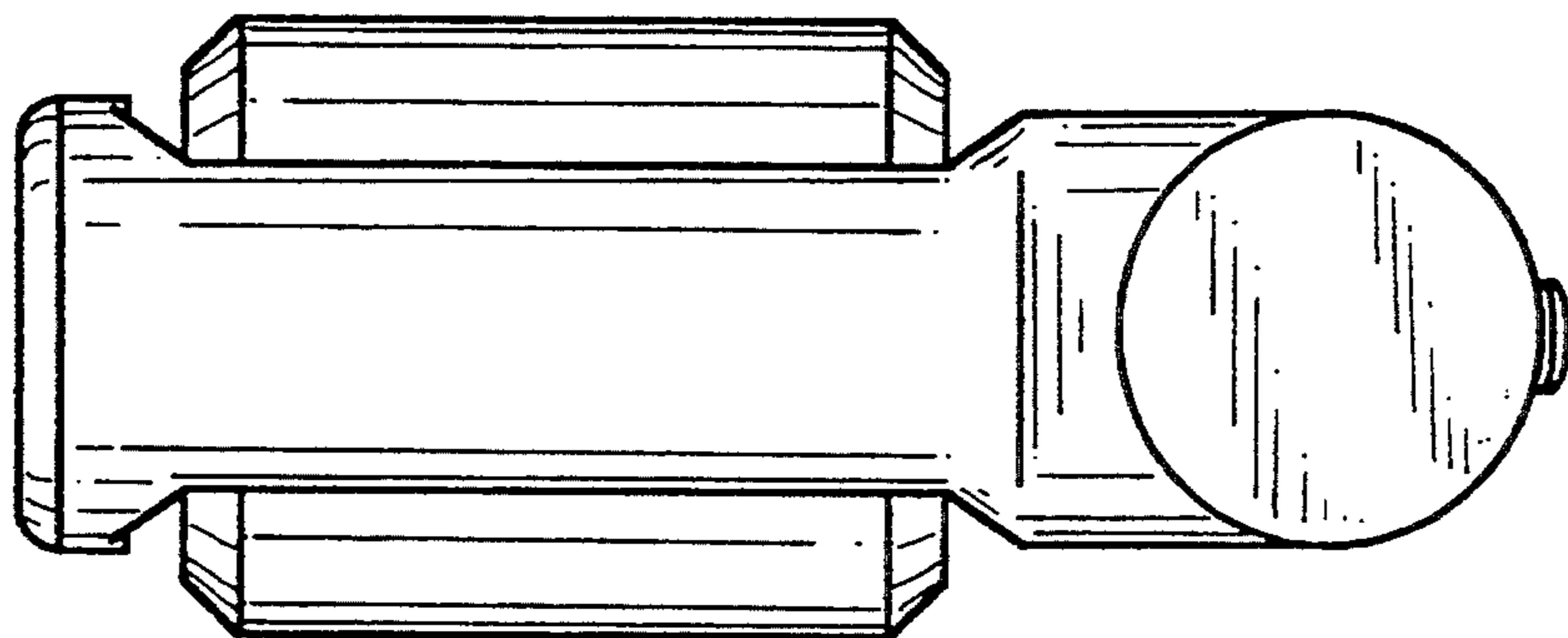


FIG. 8

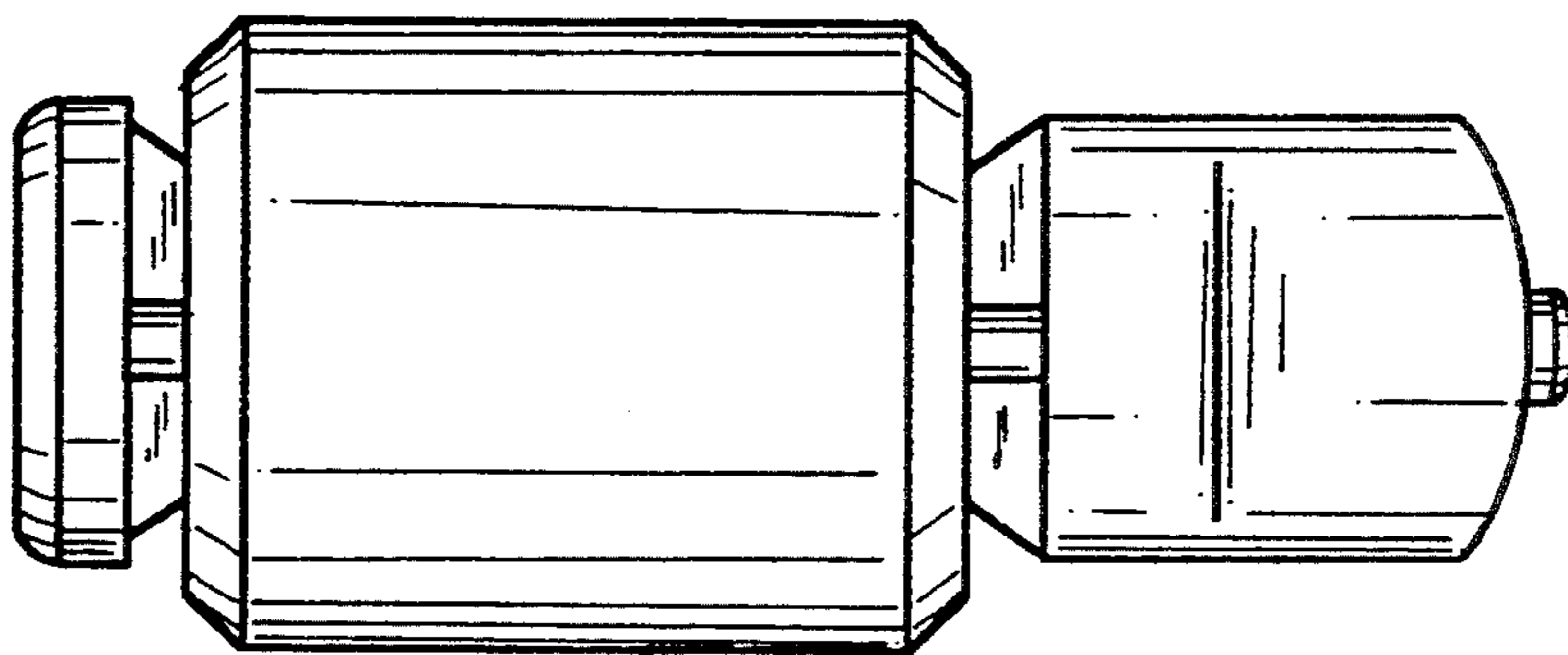


FIG. 9

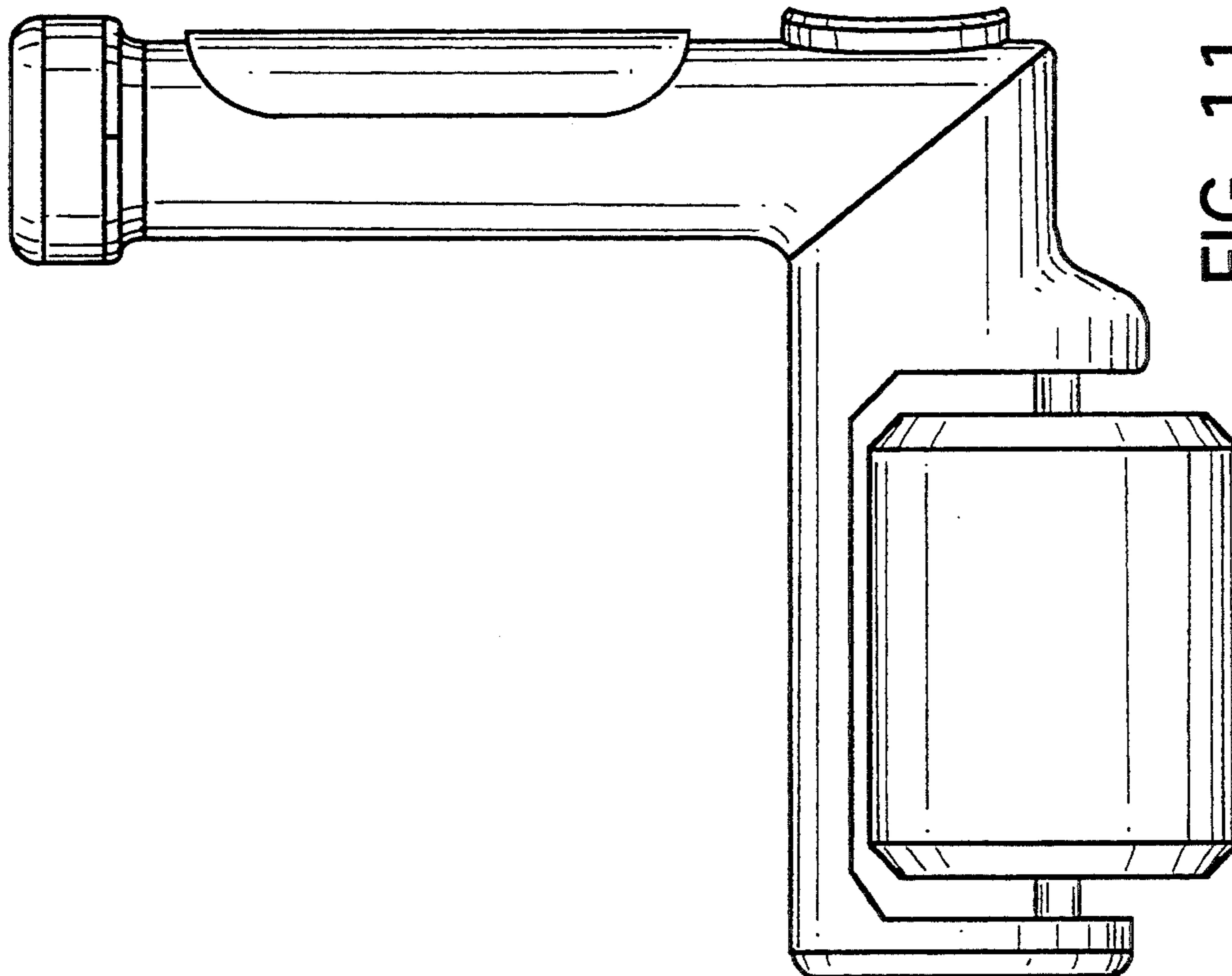


FIG. 11

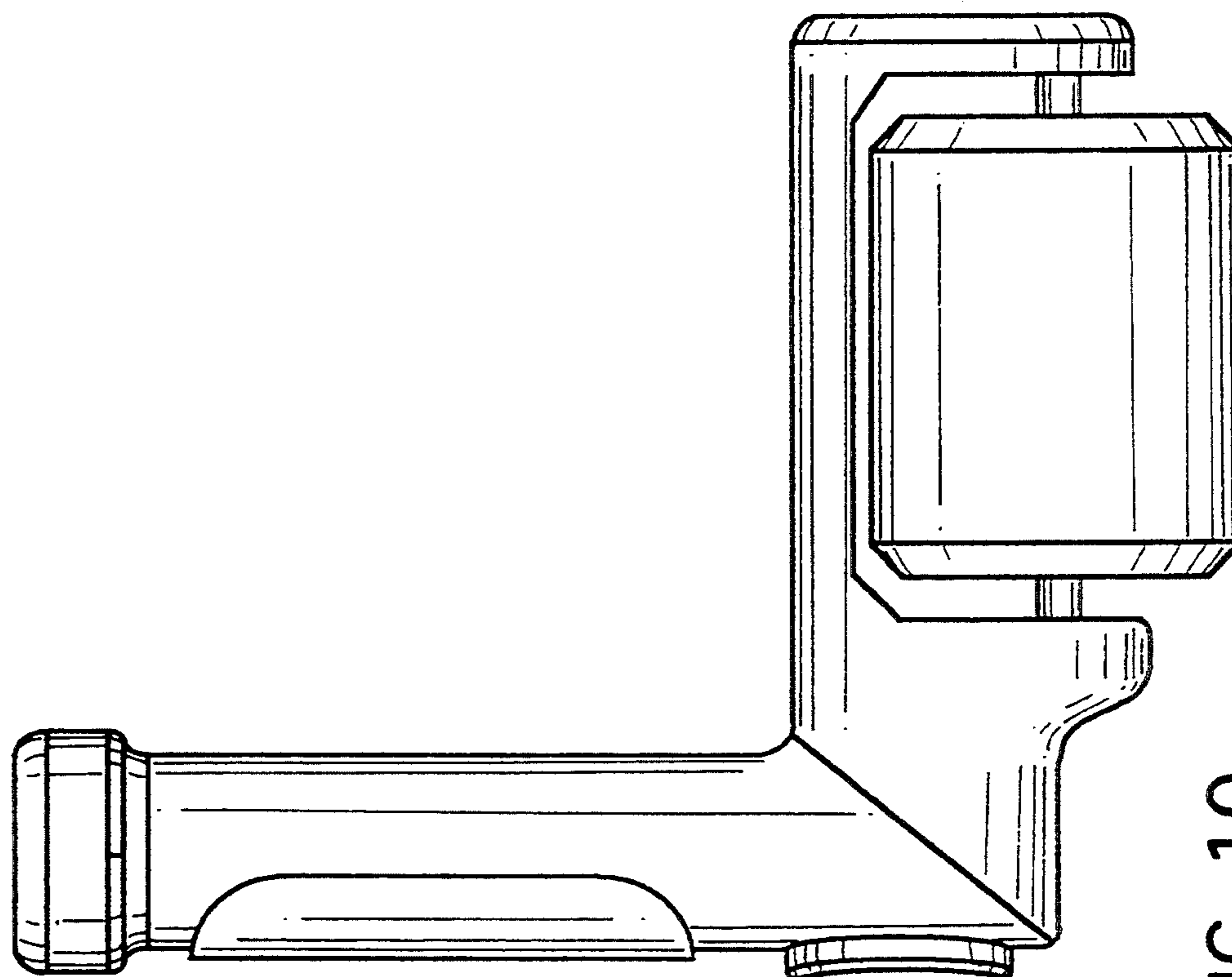


FIG. 10

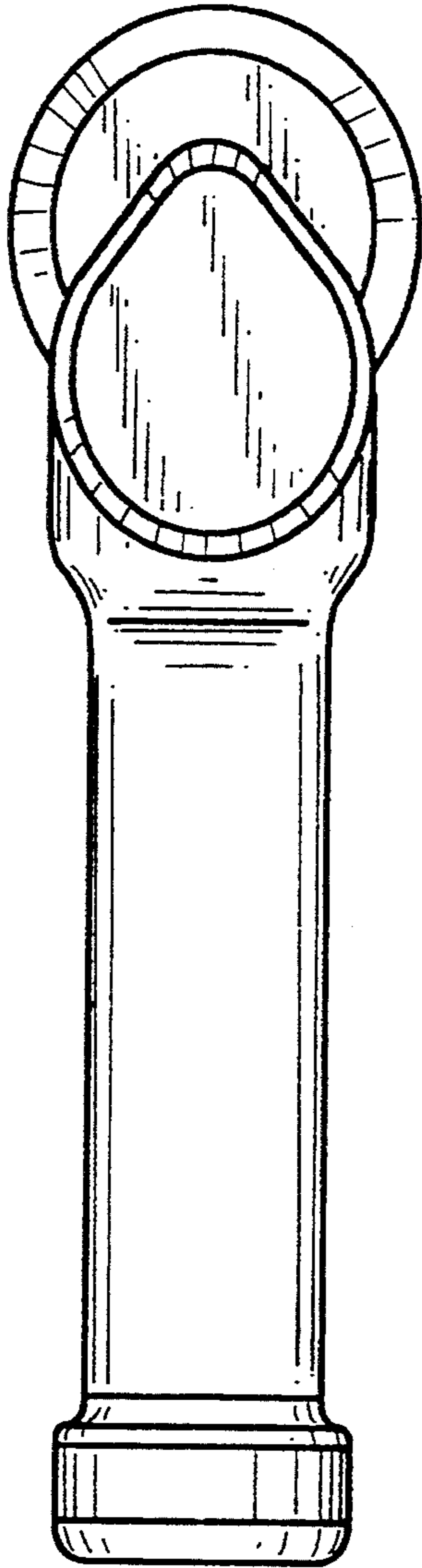


FIG. 12

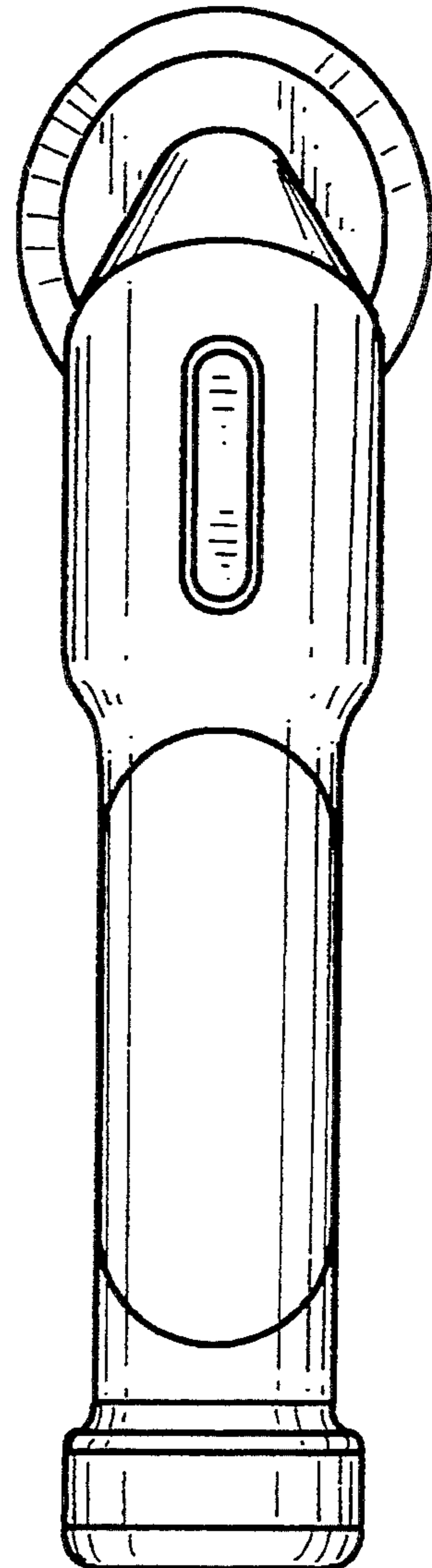


FIG. 13